



US00D457496S

(12) **United States Design Patent**
Ko

(10) **Patent No.:** **US D457,496 S**

(45) **Date of Patent:** **** May 21, 2002**

(54) **CABLE END CONNECTOR**

(75) **Inventor:** **David Tso-Chin Ko**, Thousand Oaks,
CA (US)

(73) **Assignee:** **Hon Hai Precision Ind. Co., Ltd.**,
Taipei Hsien (TW)

(**) **Term:** **14 Years**

(21) **Appl. No.:** **29/145,170**

(22) **Filed:** **Jul. 16, 2001**

(51) **LOC (7) Cl.** **13-03**

(52) **U.S. Cl.** **D13/133**

(58) **Field of Search** D13/133; 439/63,
439/350, 581, 582, 585, 732, 852, 842,
854-857

(56) **References Cited**

U.S. PATENT DOCUMENTS

- 4,083,623 A * 4/1978 Lynch 439/857 X
- 5,078,621 A * 1/1992 Nishikawa et al. 439/581
- 5,180,315 A * 1/1993 Nagashima 439/581
- 5,466,160 A * 11/1995 Ogura 439/63
- 5,569,049 A * 10/1996 Tatebe et al. 439/585 X
- 5,772,470 A * 6/1998 Togashi 439/582

- 5,879,190 A * 3/1999 Maruyama et al. 439/582
- 5,897,391 A * 4/1999 Takahashi et al. 439/336
- 6,074,217 A * 6/2000 Maruyama et al. 439/581 X
- D447,117 S * 8/2001 Ko D13/133
- 6,305,980 B2 * 10/2001 Ko 439/582

* cited by examiner

Primary Examiner—Joel Sincavage

(74) *Attorney, Agent, or Firm*—Wei Te Chung

(57) **CLAIM**

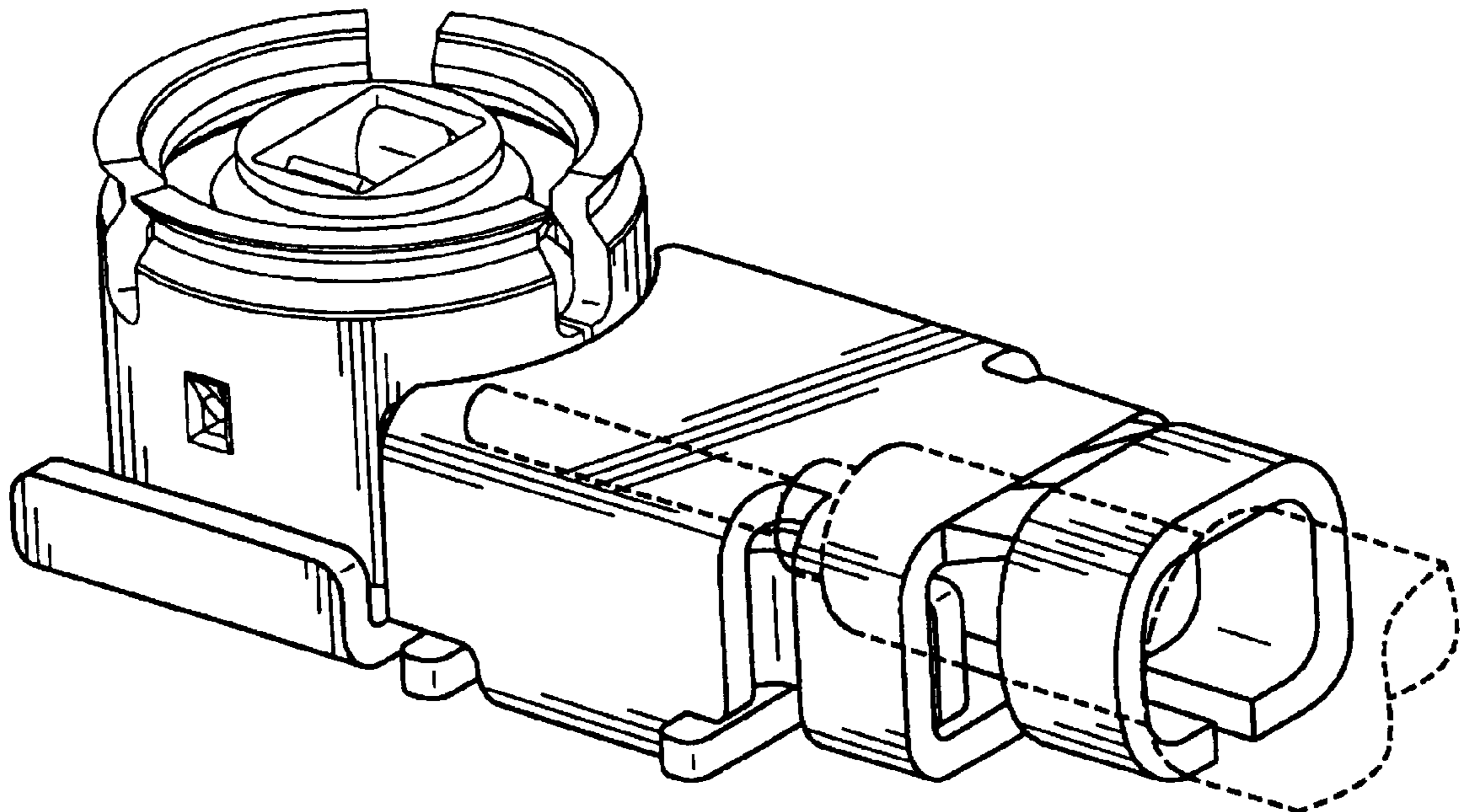
The ornamental design for a cable end connector, as shown and described.

DESCRIPTION

FIG. 1 is a rear, top and right side perspective view of a cable end connector showing my new design;
 FIG. 2 is a right side elevational view thereof;
 FIG. 3 is a left side elevational view thereof;
 FIG. 4 is front elevational view thereof;
 FIG. 5 is a rear elevational view thereof;
 FIG. 6 is a top plan view thereof; and,
 FIG. 7 is a bottom plan view thereof.

The cable end shown in phantom lines in FIG. 1 is for illustrative purposes only and forms no part of the claimed invention.

1 Claim, 4 Drawing Sheets



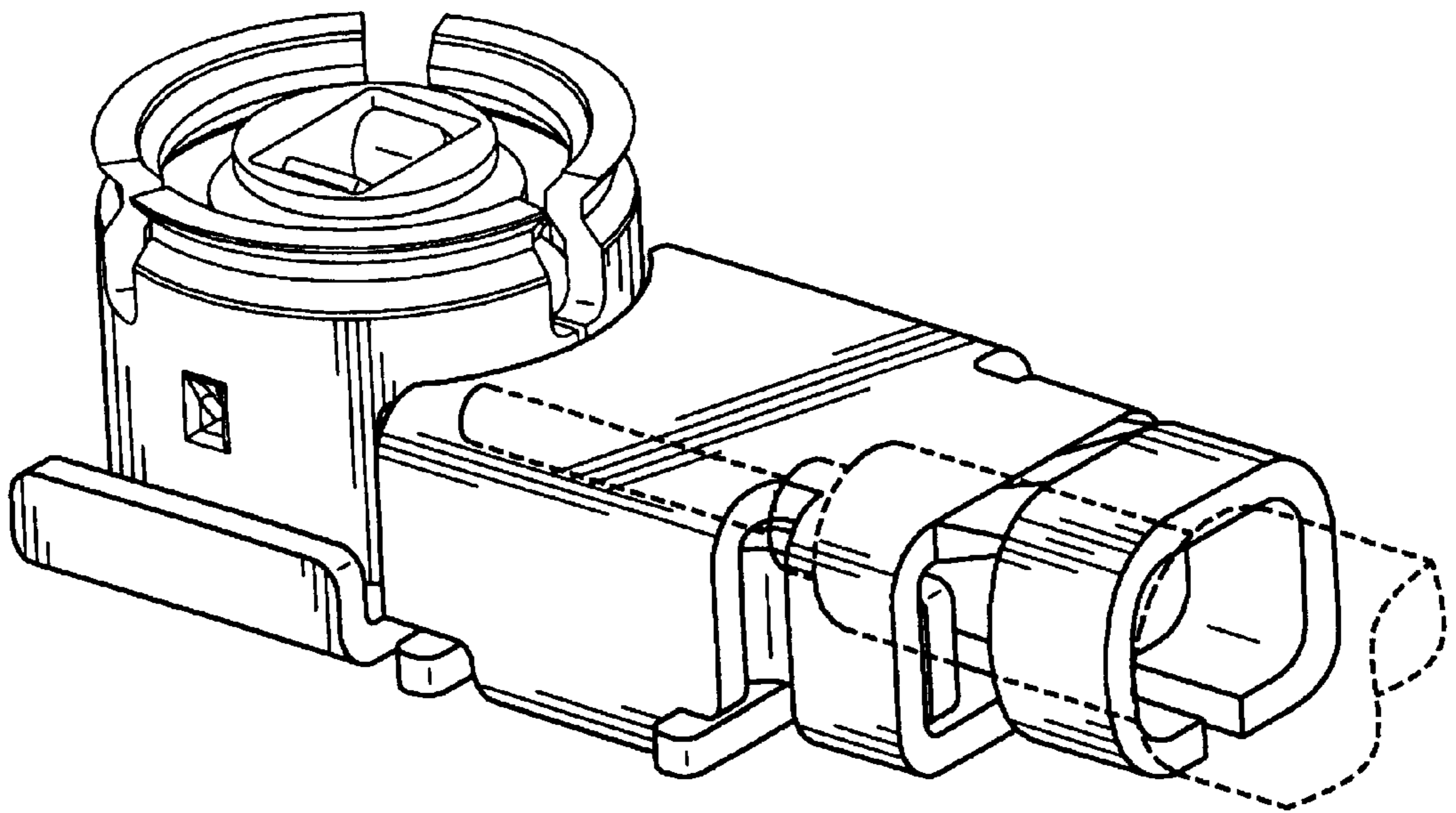


FIG. 1

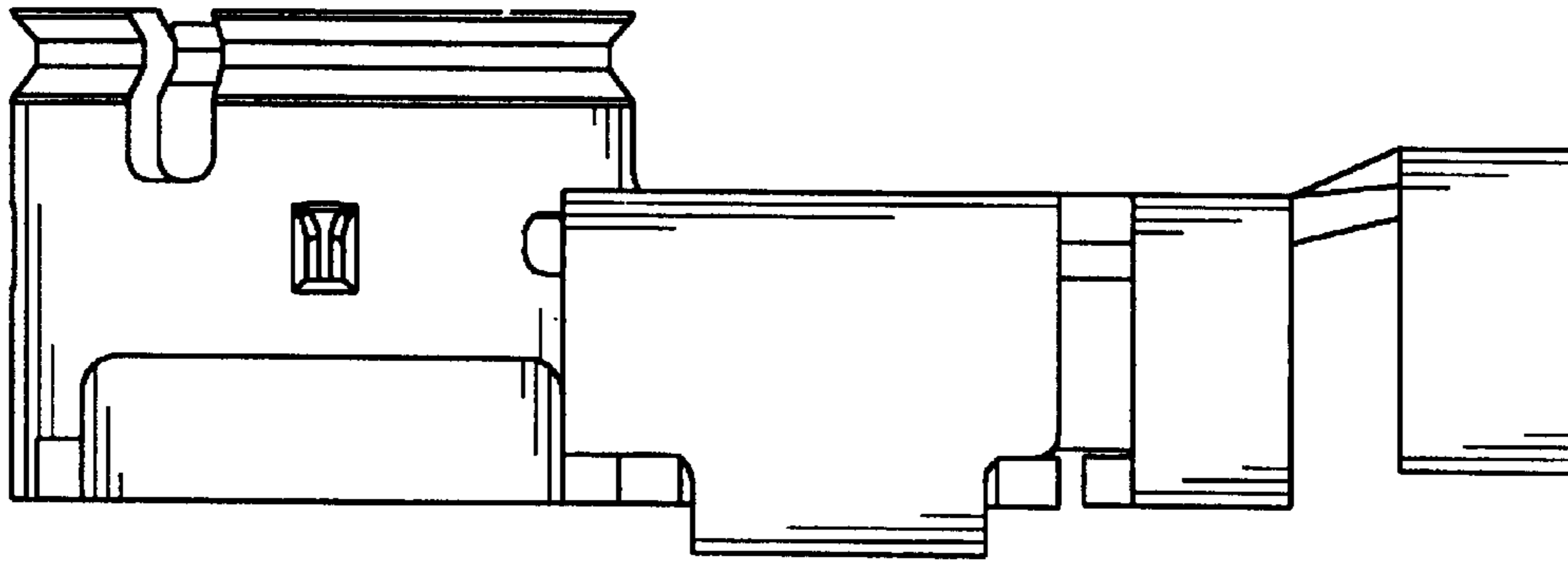


FIG. 2

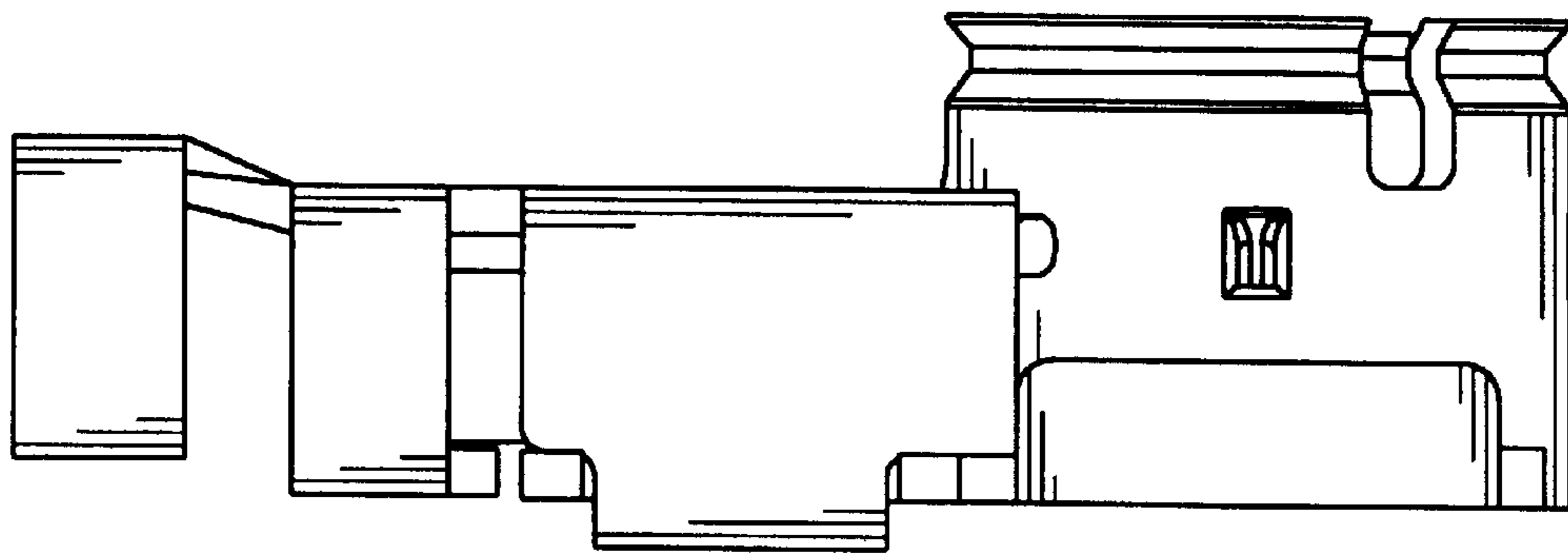


FIG. 3

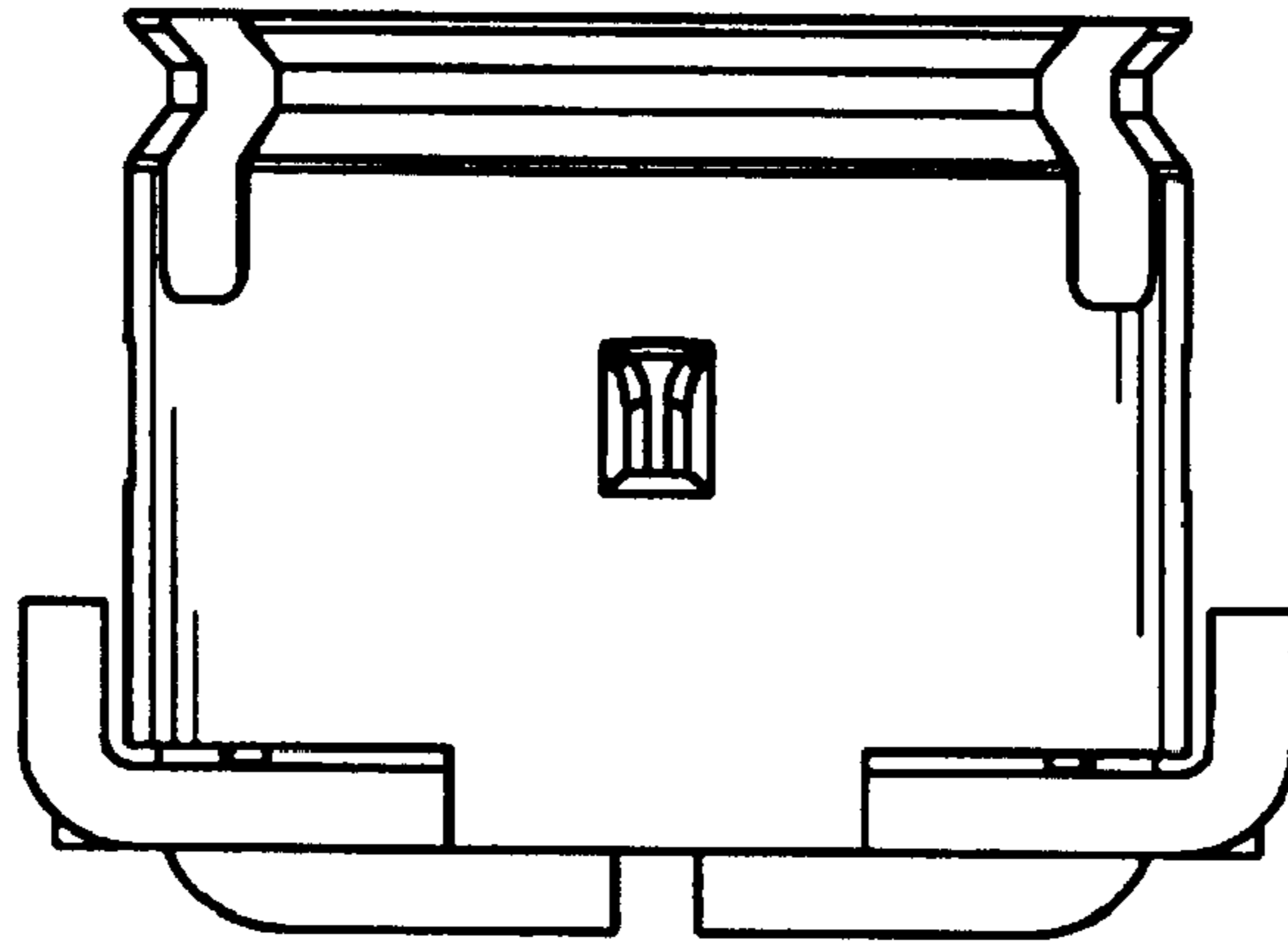


FIG. 4

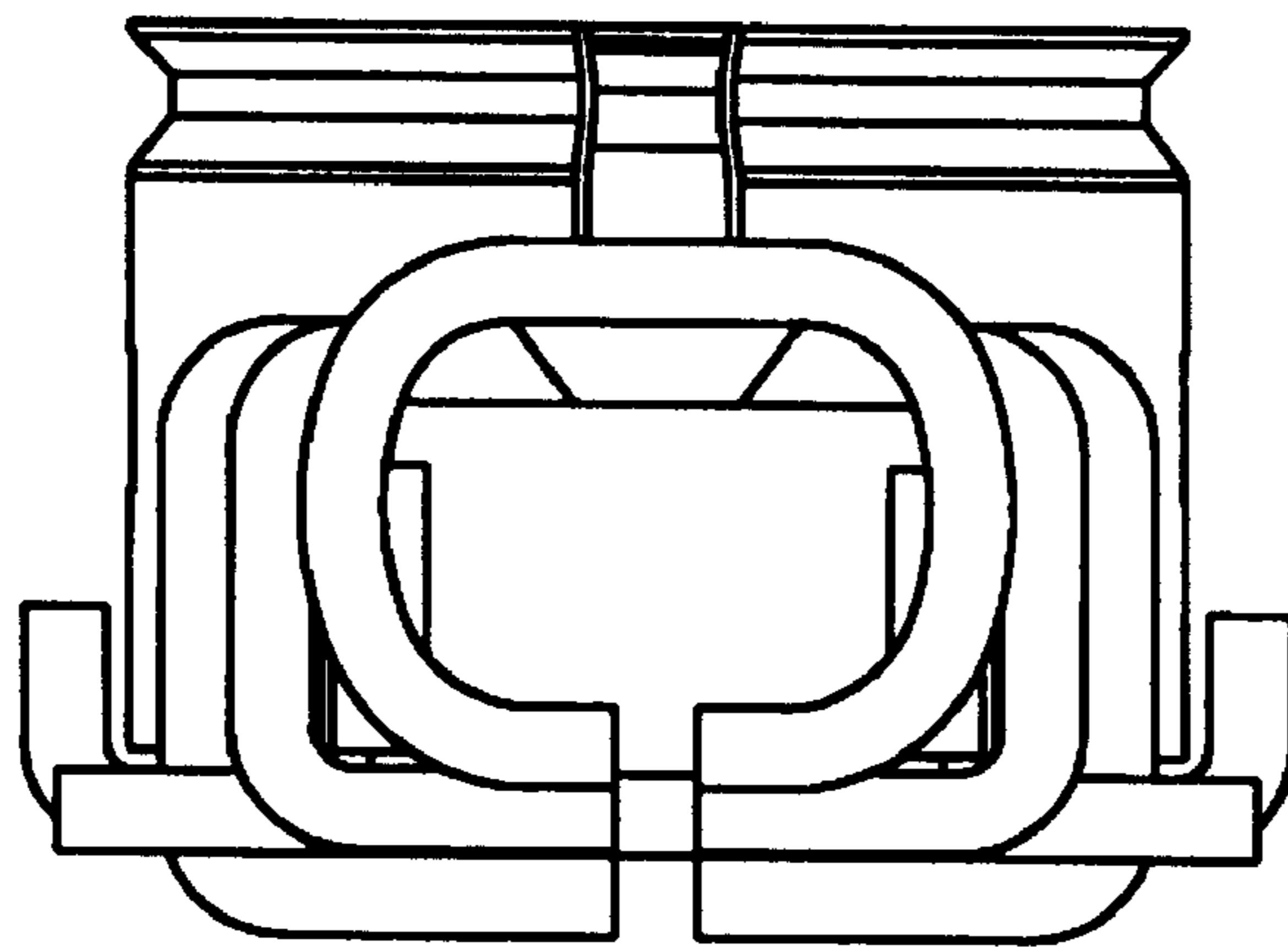


FIG. 5

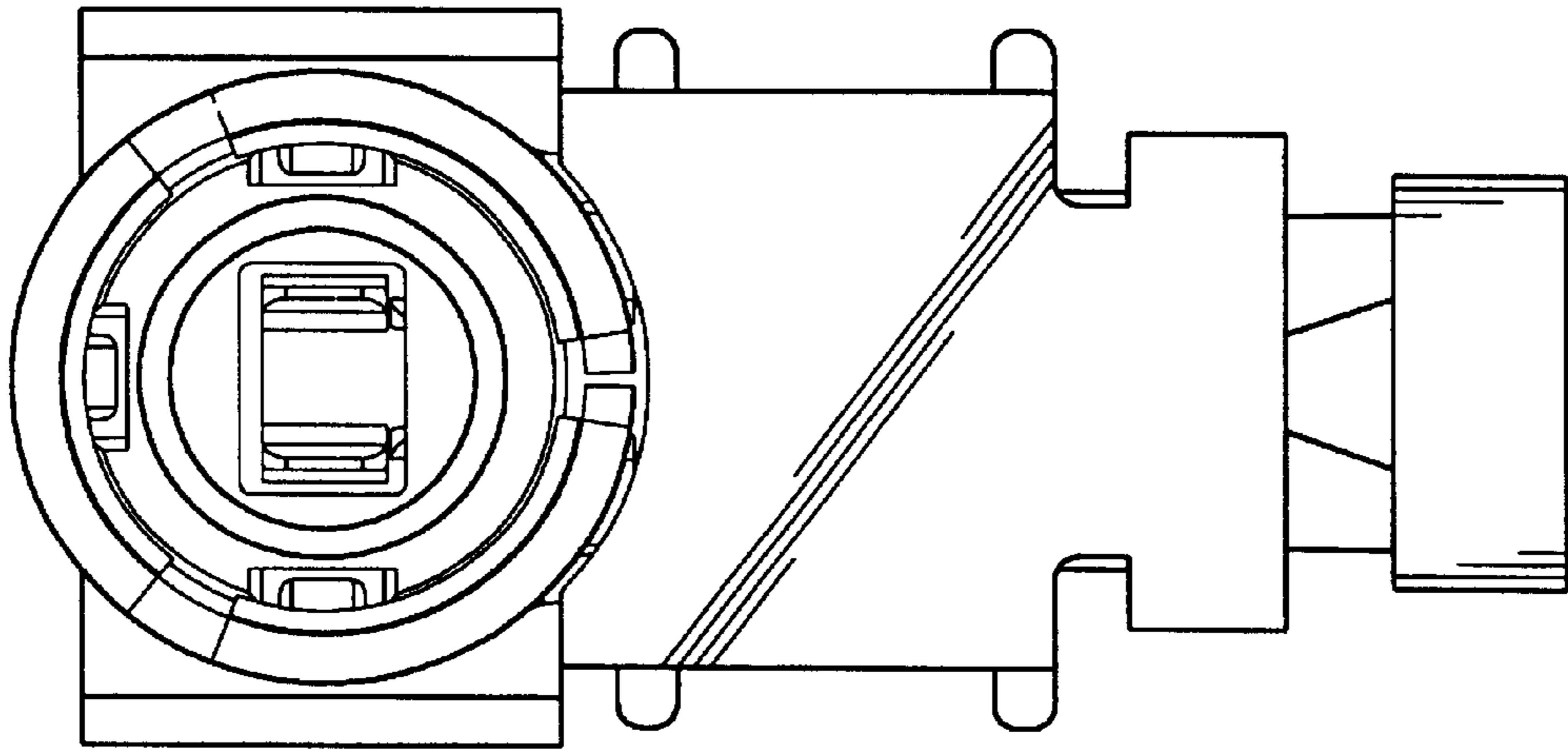


FIG. 6

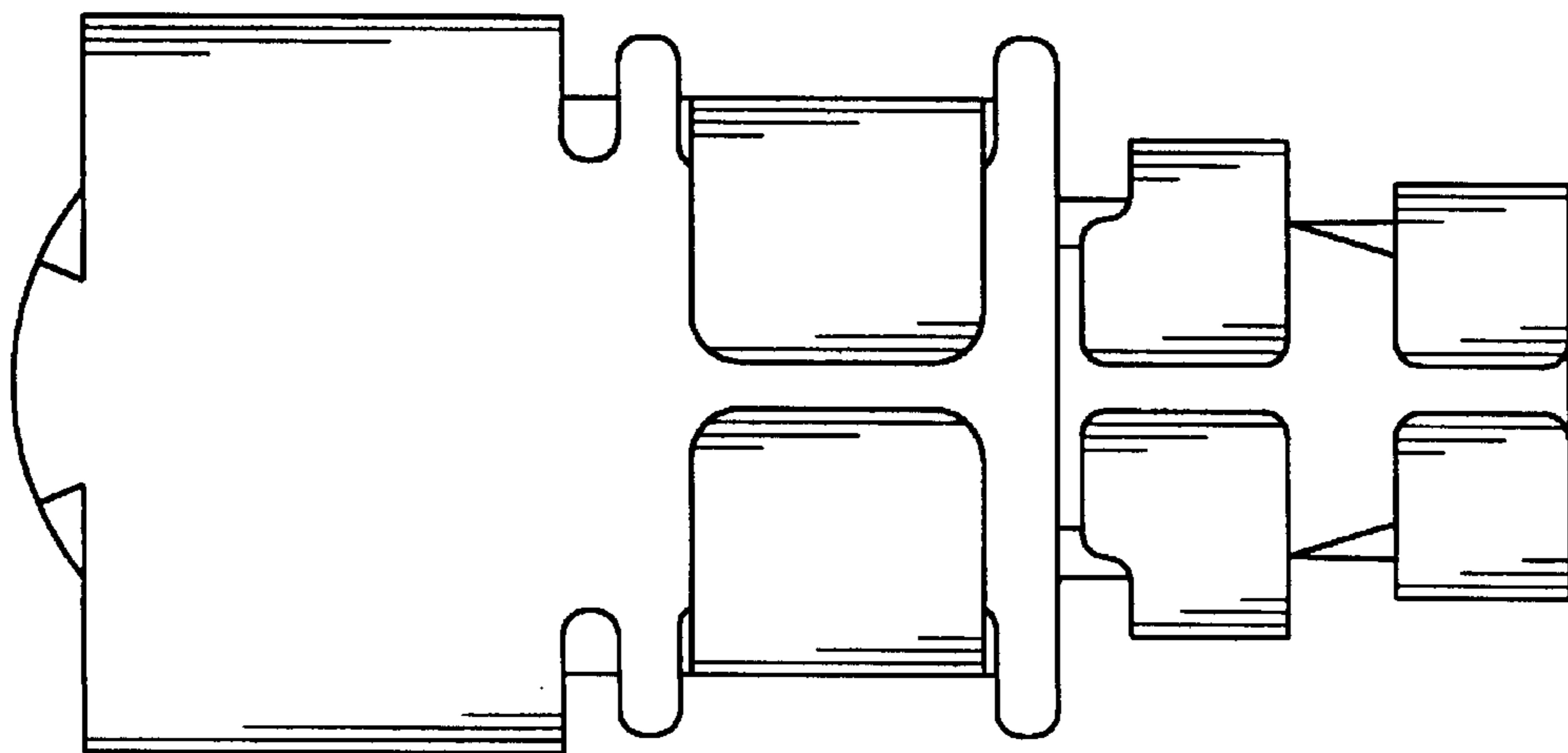


FIG. 7