



US00D457495S

(12) **United States Design Patent**
Shi et al.

(10) **Patent No.:** **US D457,495 S**

(45) **Date of Patent:** **** May 21, 2002**

(54) **ELECTRICAL CONNECTOR ASSEMBLY**

(75) Inventors: **Guang Xing Shi; Chun-Feng Yang,**
both of Kun-Shan (CN)

(73) Assignee: **Hon Hai PrecisionInd. Co., Ltd.,**
Taipei Hsien (TW)

(**) Term: **14 Years**

(21) Appl. No.: **29/138,135**

(22) Filed: **Mar. 6, 2001**

(30) **Foreign Application Priority Data**

Dec. 30, 2000 (TW) 089308671

(51) **LOC (7) Cl.** **13-03**

(52) **U.S. Cl.** **D13/133; D13/146**

(58) **Field of Search** **D13/133, 146,**
D13/147; 439/668, 188, 638, 541.5, 717

(56) **References Cited**

U.S. PATENT DOCUMENTS

D302,421 S * 7/1989 Ichitsubo D13/133
4,973,267 A * 11/1990 Ramelet 439/717 X

D379,969 S * 6/1997 Tan D13/147
5,713,767 A * 2/1998 Hanson et al. 439/853
6,074,218 A * 6/2000 Wu et al. 439/63
6,179,653 B1 * 1/2001 Cheng et al. 439/541.5
6,213,812 B1 * 4/2001 Kan 439/607

* cited by examiner

Primary Examiner—Joel Sincavage

(74) *Attorney, Agent, or Firm*—Wei Te Chung

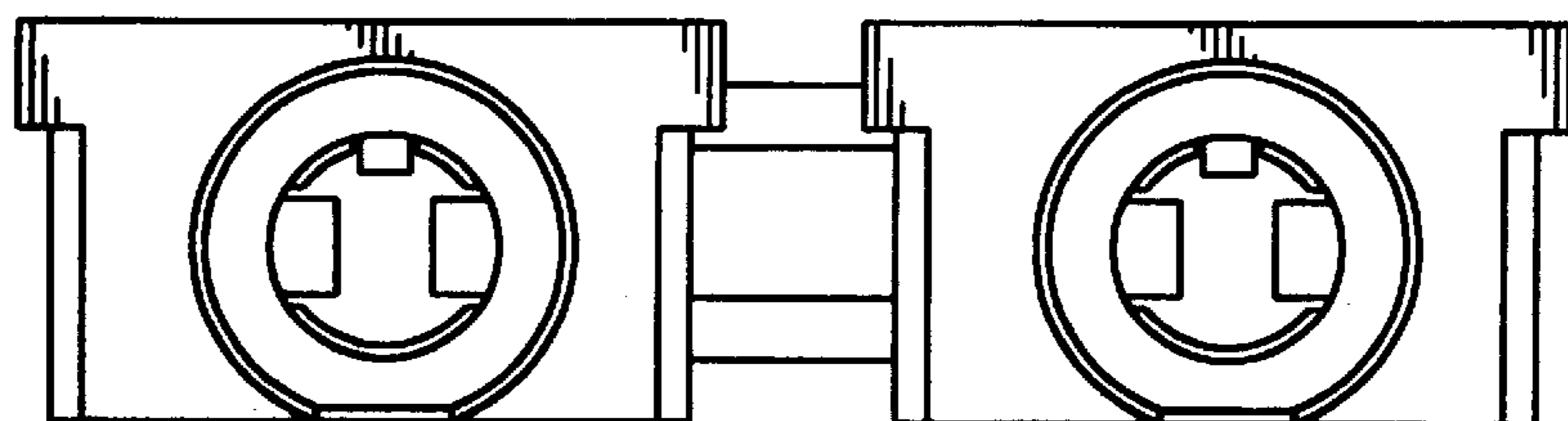
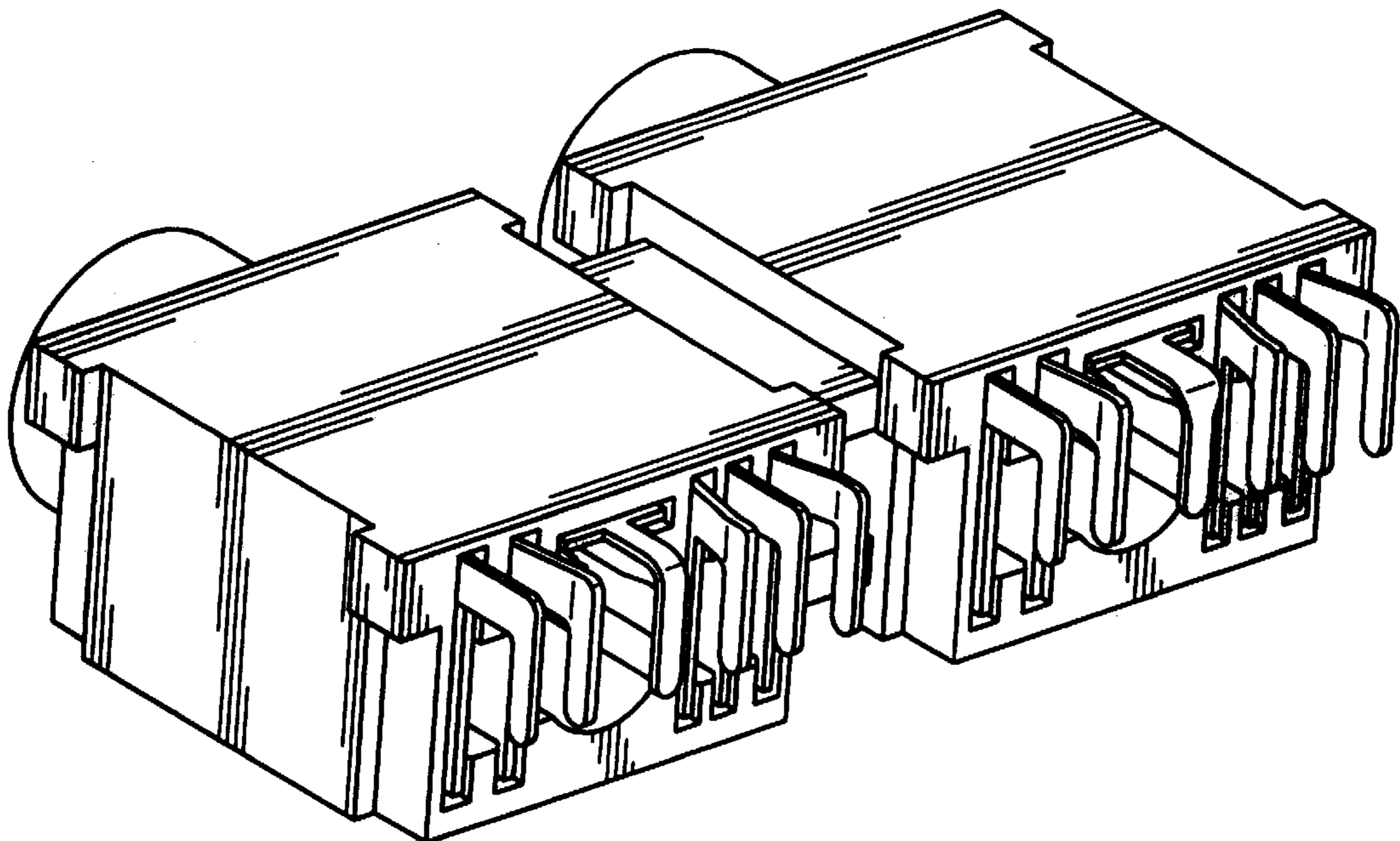
(57) **CLAIM**

The ornamental design for an electrical connector assembly,
as shown.

DESCRIPTION

FIG. 1 is a rear, top and right side perspective view of an
electrical connector assembly showing our new design;
FIG. 2 is a rear elevational view thereof;
FIG. 3 is a front elevational view thereof;
FIG. 4 is a right side elevational view thereof;
FIG. 5 is a left side elevational view thereof;
FIG. 6 is a top plan view thereof; and,
FIG. 7 is a bottom plan view thereof.

1 Claim, 5 Drawing Sheets



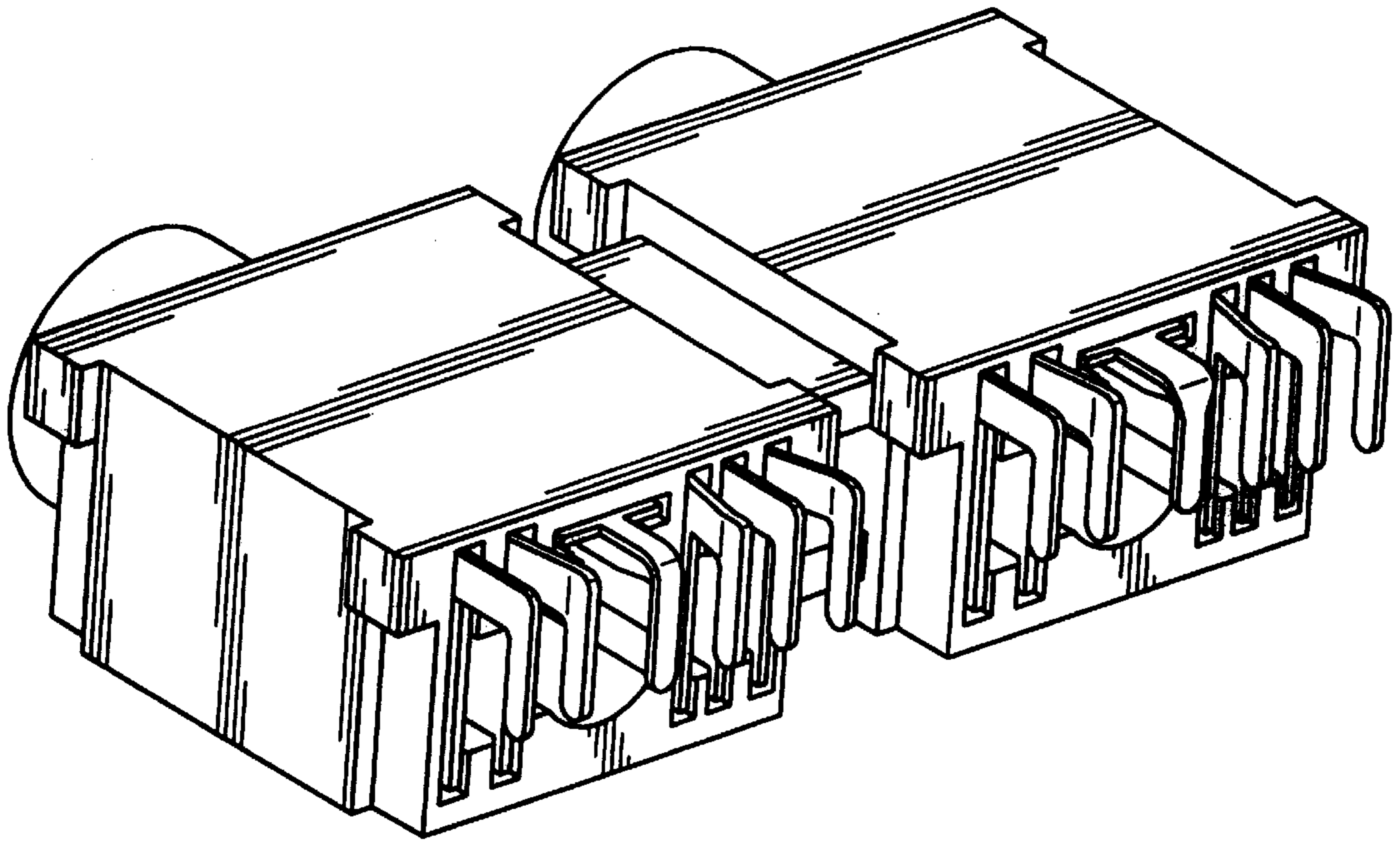


FIG. 1

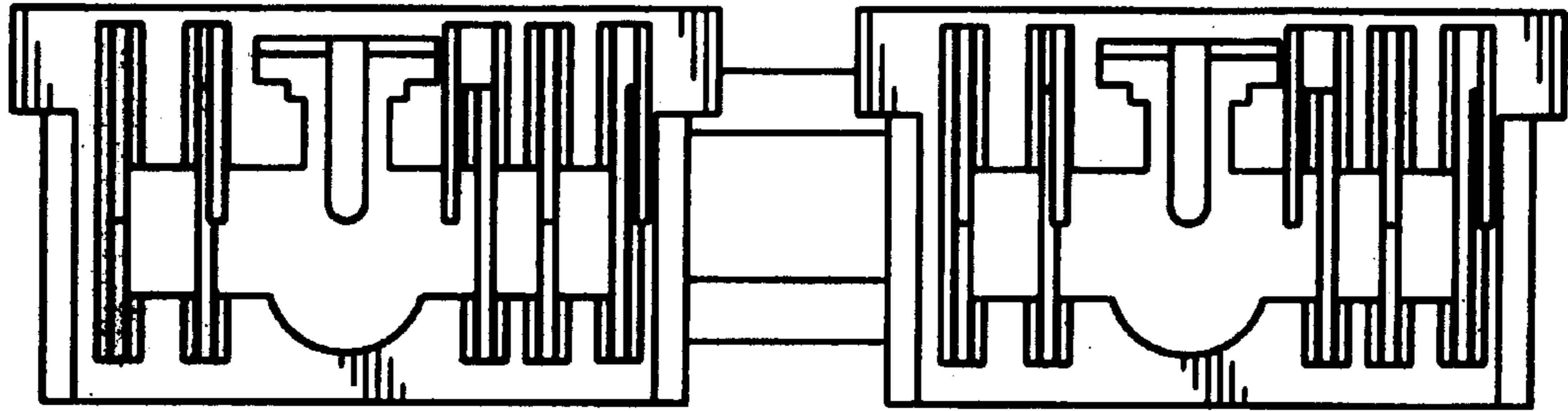


FIG. 2

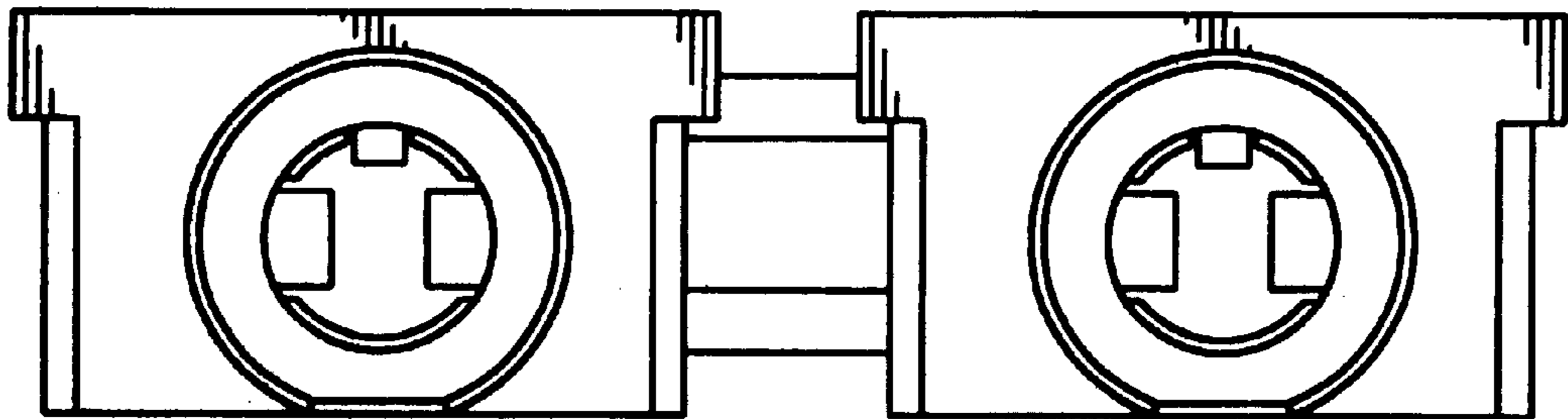


FIG. 3

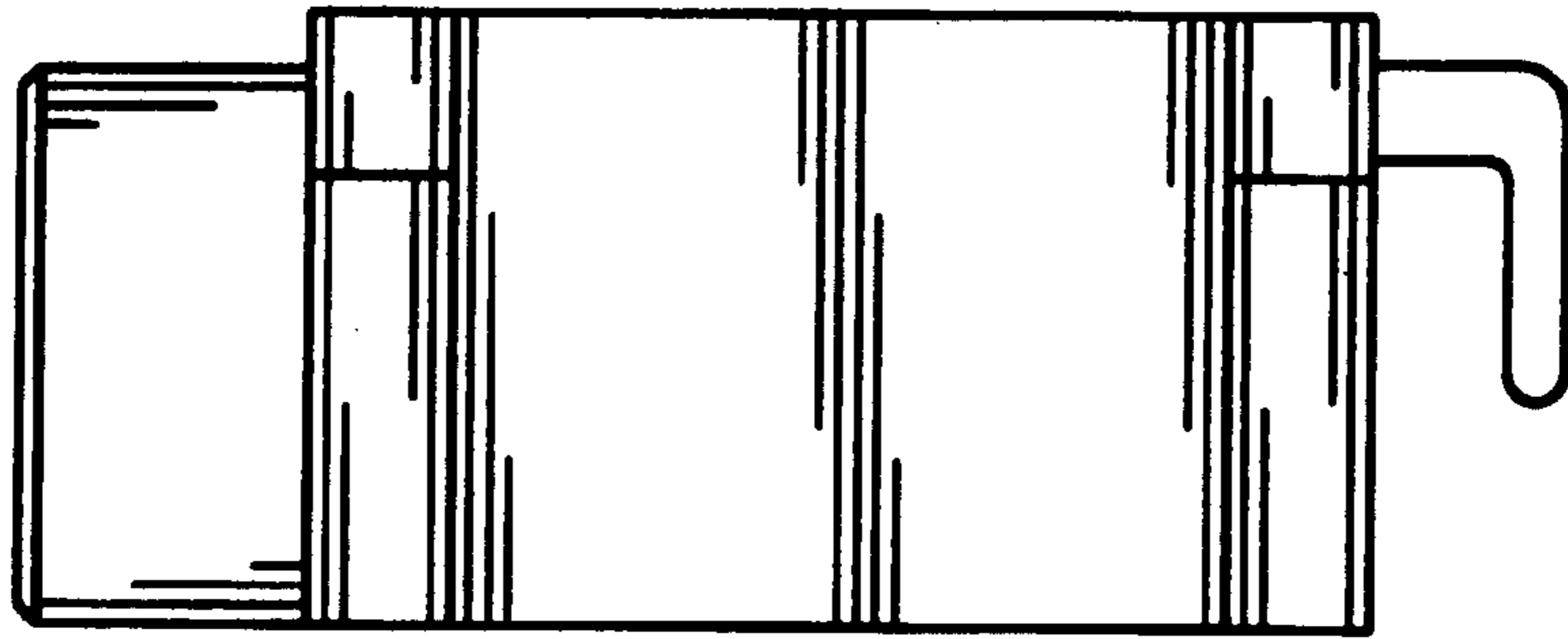


FIG. 4

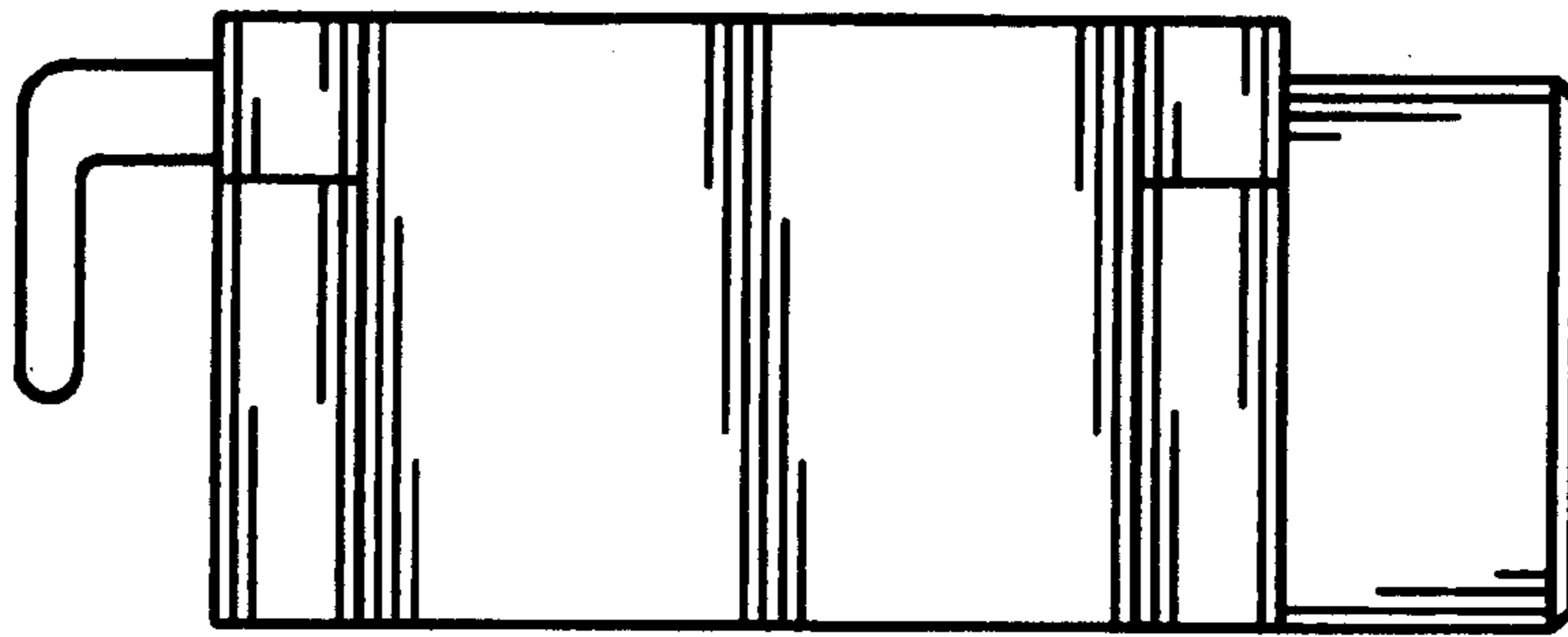


FIG. 5

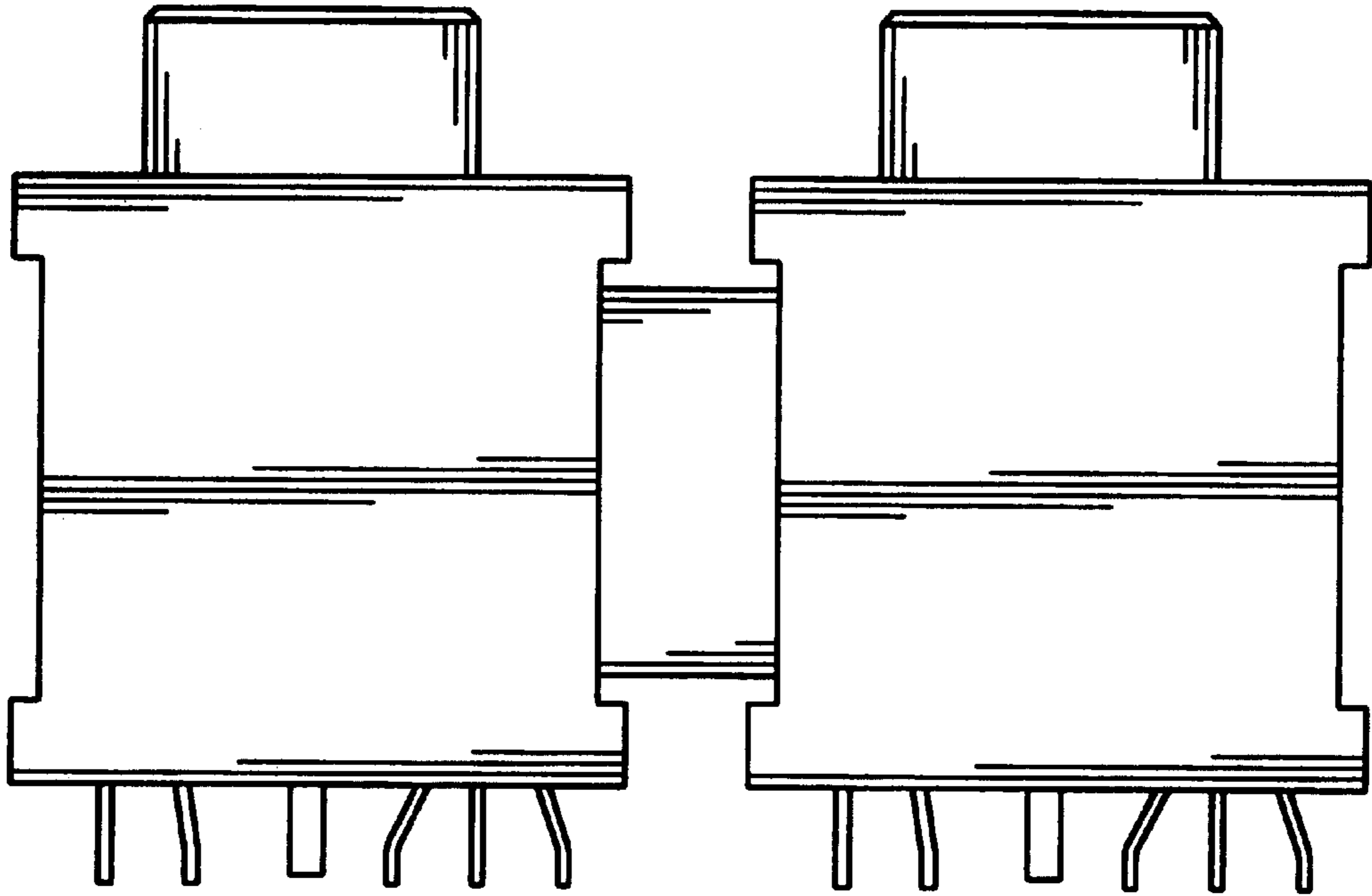


FIG. 6

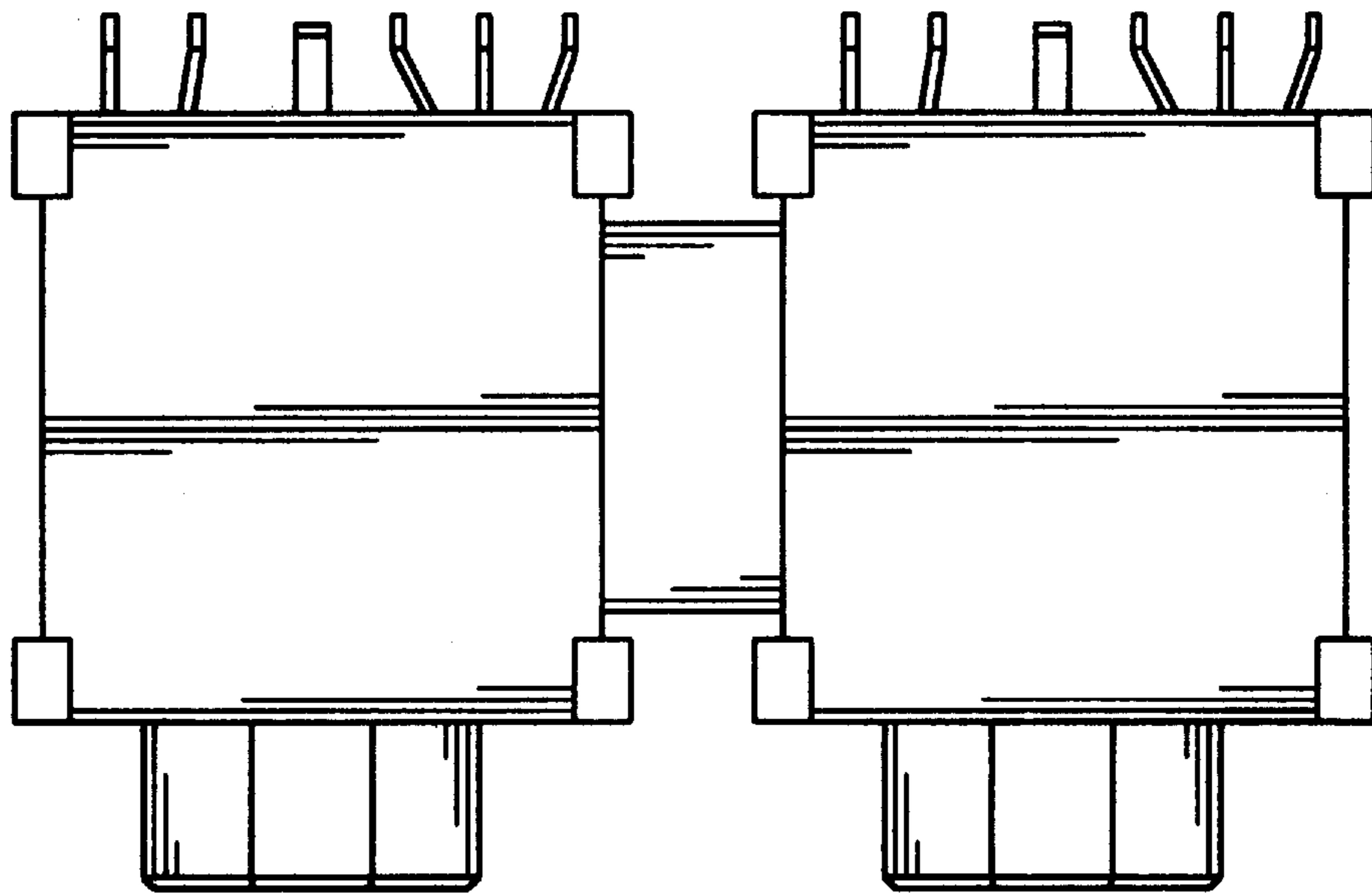


FIG. 7