



US00D457494S

(12) **United States Design Patent**
Lin

(10) **Patent No.:** **US D457,494 S**

(45) **Date of Patent:** **** May 21, 2002**

(54) **ELECTRICAL CONNECTOR**

(75) Inventor: **Yi Sheng Lin, Tu-Chen (TW)**

(73) Assignee: **Hon Hai Precision Ind. Co., Ltd.,
Taipei Hsien (TW)**

(**) Term: **14 Years**

(21) Appl. No.: **29/134,771**

(22) Filed: **Dec. 30, 2000**

(30) **Foreign Application Priority Data**

Nov. 10, 2000 (TW) 089307558

(51) **LOC (7) Cl.** **13-03**

(52) **U.S. Cl.** **D13/133**

(58) **Field of Search** D13/133; 439/79,
439/83, 668, 669, 188

(56) **References Cited**

U.S. PATENT DOCUMENTS

- 4,165,147 A * 8/1979 Buck 439/188
- 4,598,970 A * 7/1986 Takihara 439/668
- 5,092,795 A * 3/1992 Kitagawa 439/668

- 6,077,126 A * 6/2000 Peng 439/668
- 6,220,899 B1 * 4/2001 Suzuki 439/669 X
- 6,224,409 B1 * 5/2001 Chang 439/188
- D449,273 S * 10/2001 Lin D13/133
- D449,274 S * 10/2001 Suzuki D13/133
- 6,312,274 B1 * 11/2001 Lin 439/188

* cited by examiner

Primary Examiner—Joel Sincavage

(74) *Attorney, Agent, or Firm*—Wei Te Chung

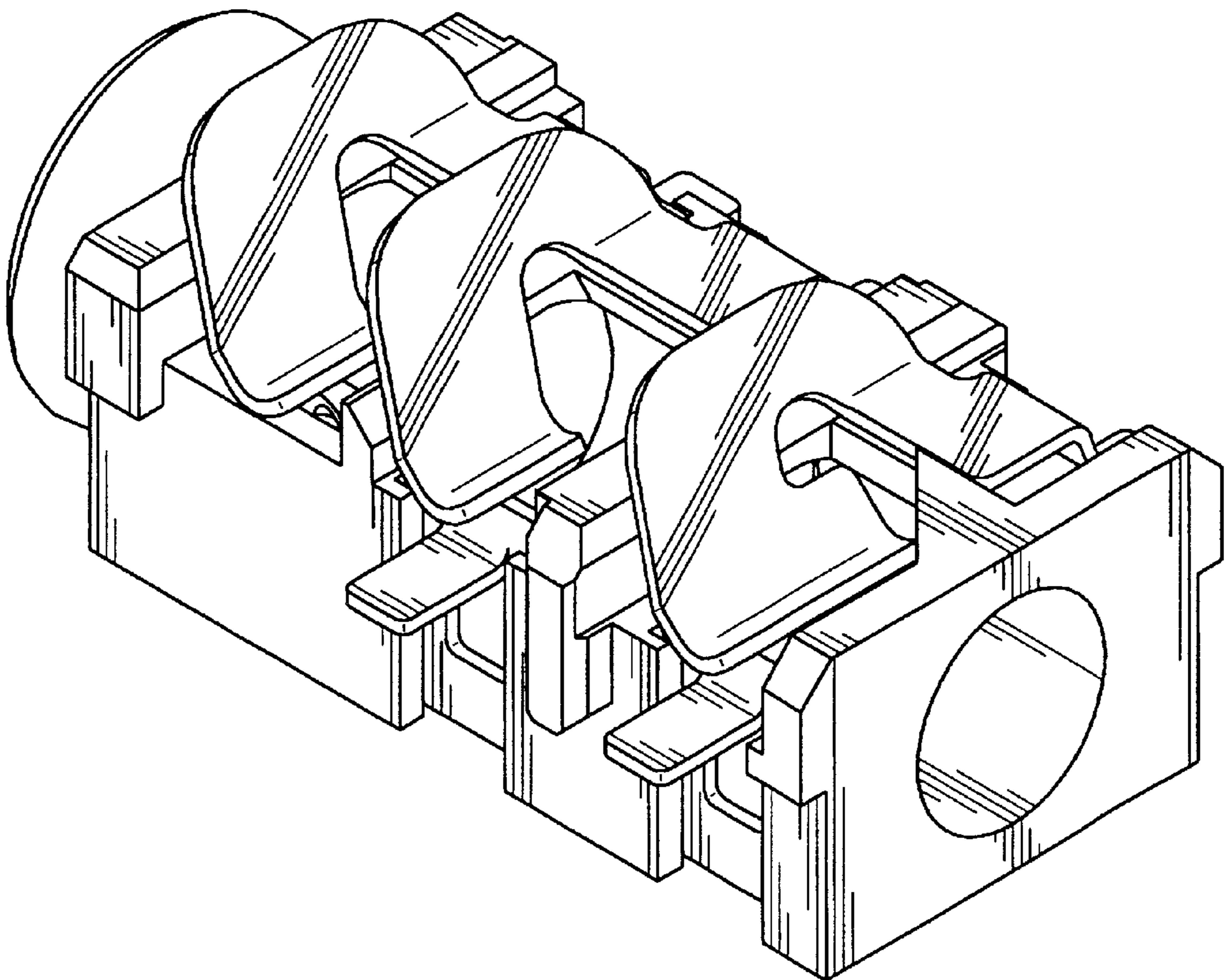
(57) **CLAIM**

The ornamental design for an electrical connector, as shown.

DESCRIPTION

FIG. 1 is a rear, top and right side perspective view of an electrical connector showing my new design;
 FIG. 2 is a rear view thereof;
 FIG. 3 is a front view thereof;
 FIG. 4 is a right side elevational view thereof;
 FIG. 5 is a left side elevational view thereof;
 FIG. 6 is a top plan view thereof; and,
 FIG. 7 is a bottom plan view thereof.

1 Claim, 6 Drawing Sheets



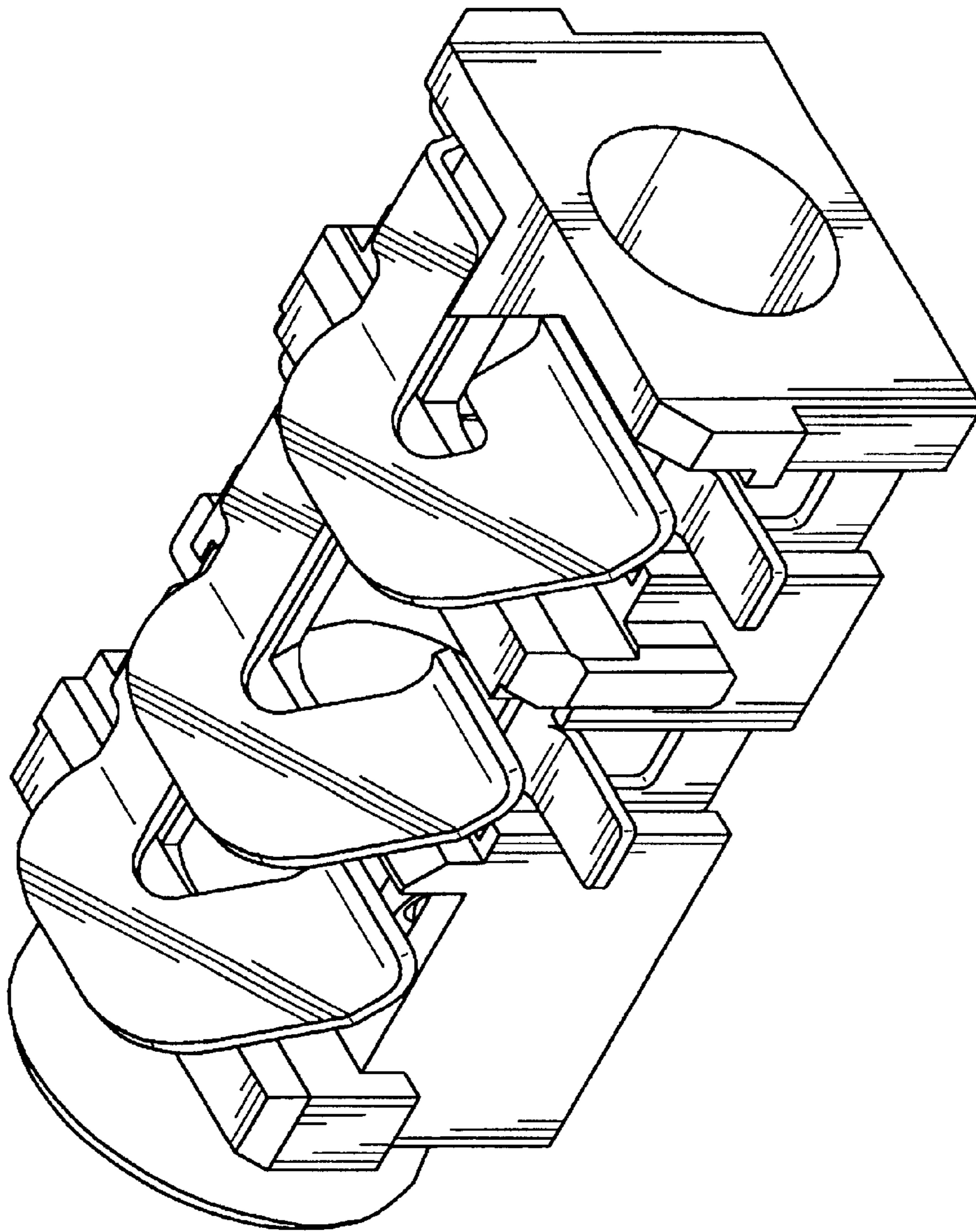


FIG. 1

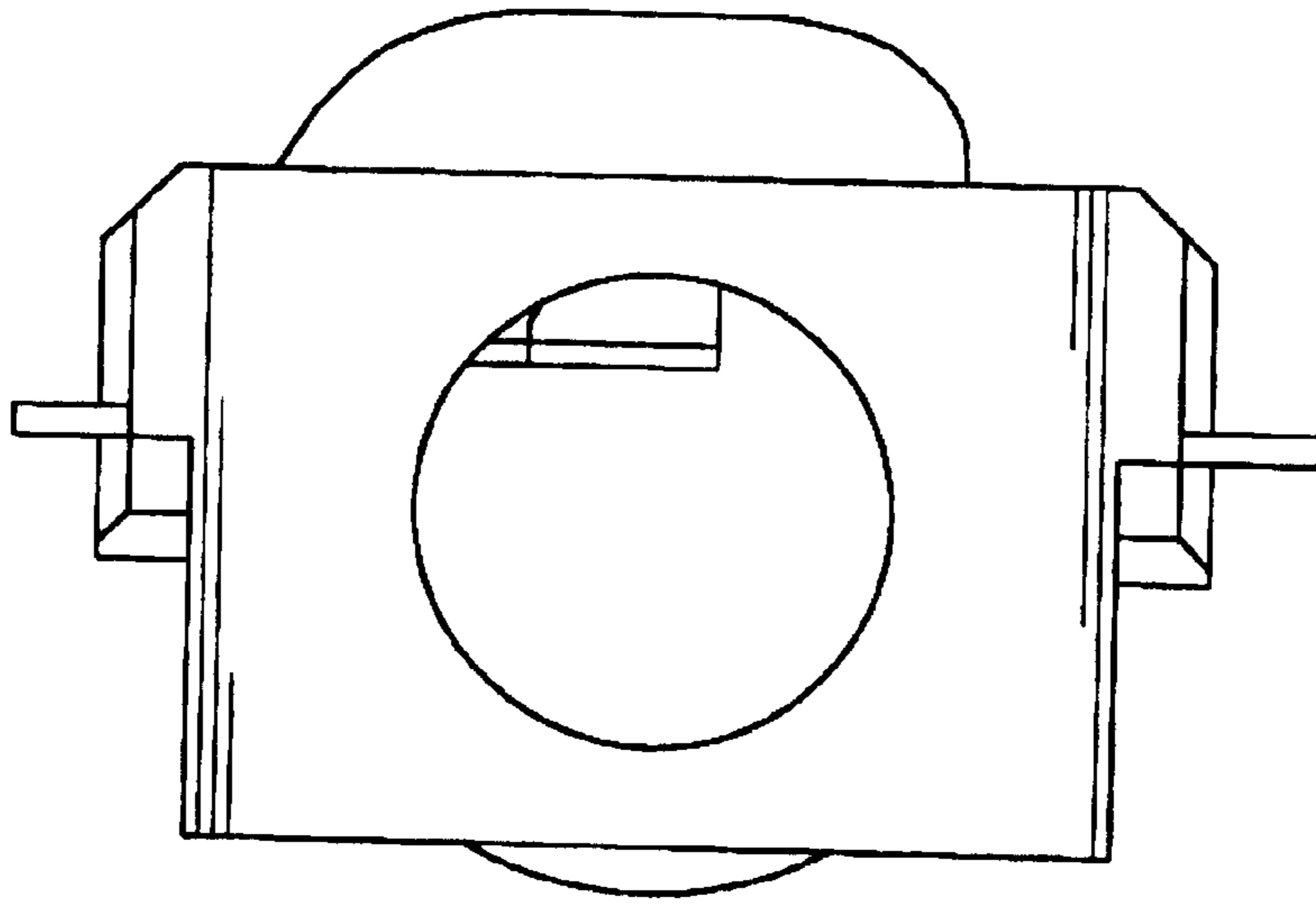


FIG. 2

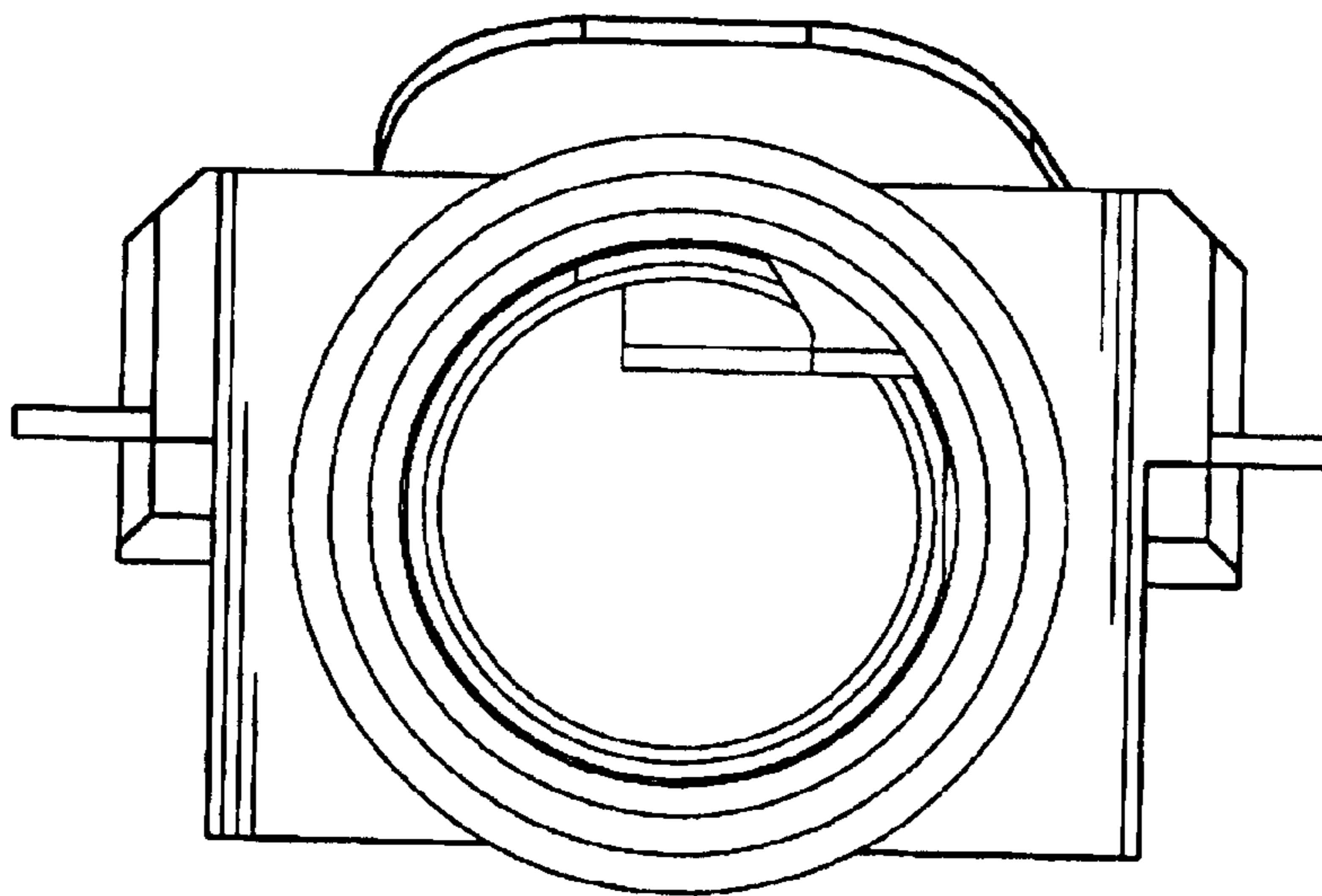


FIG. 3

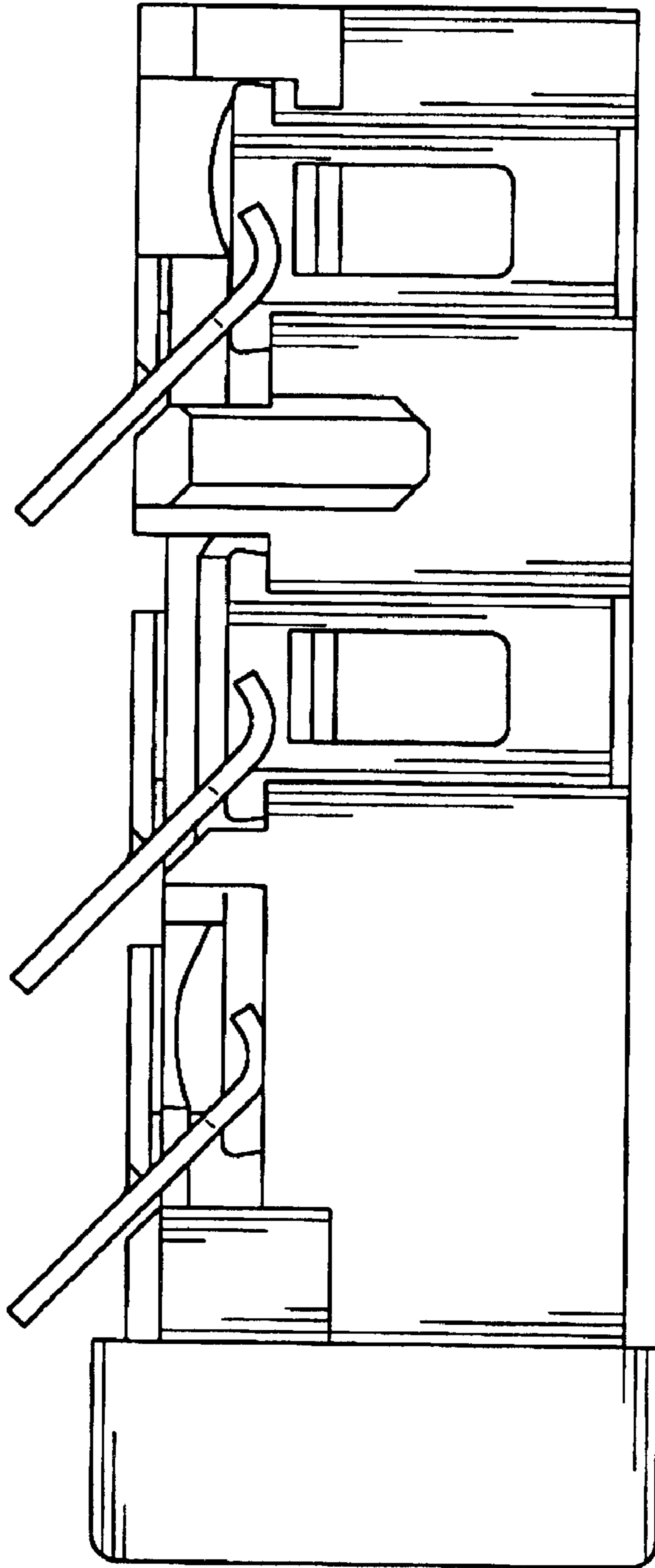


FIG. 4

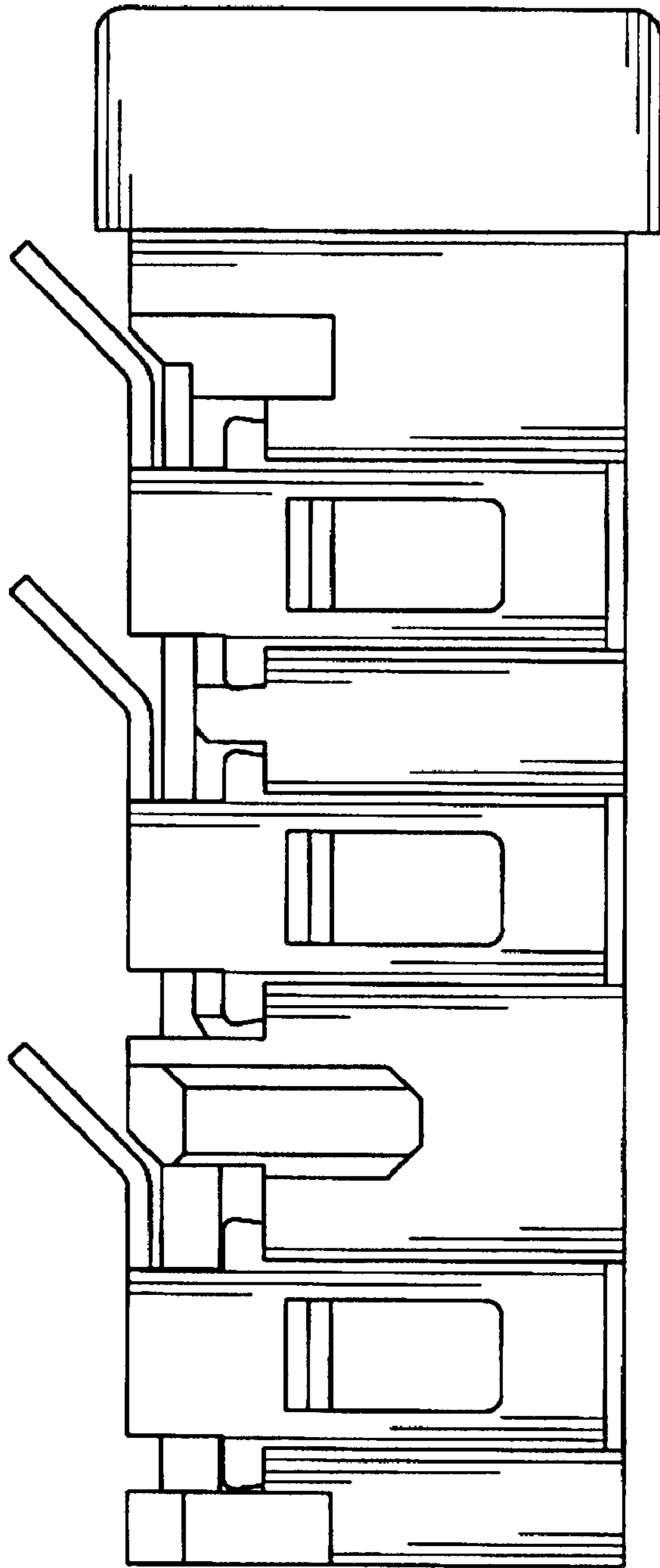


FIG. 5

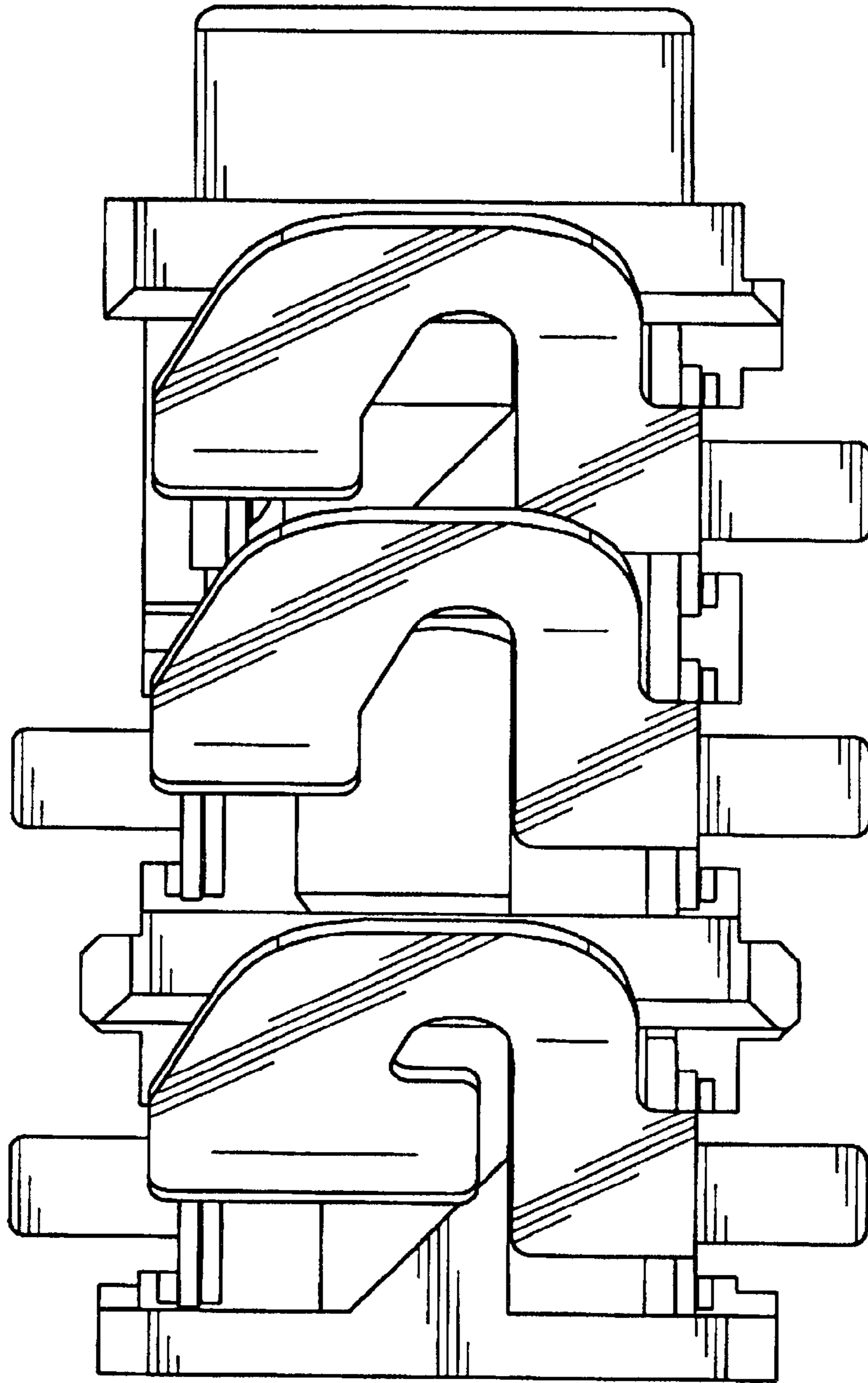


FIG. 6

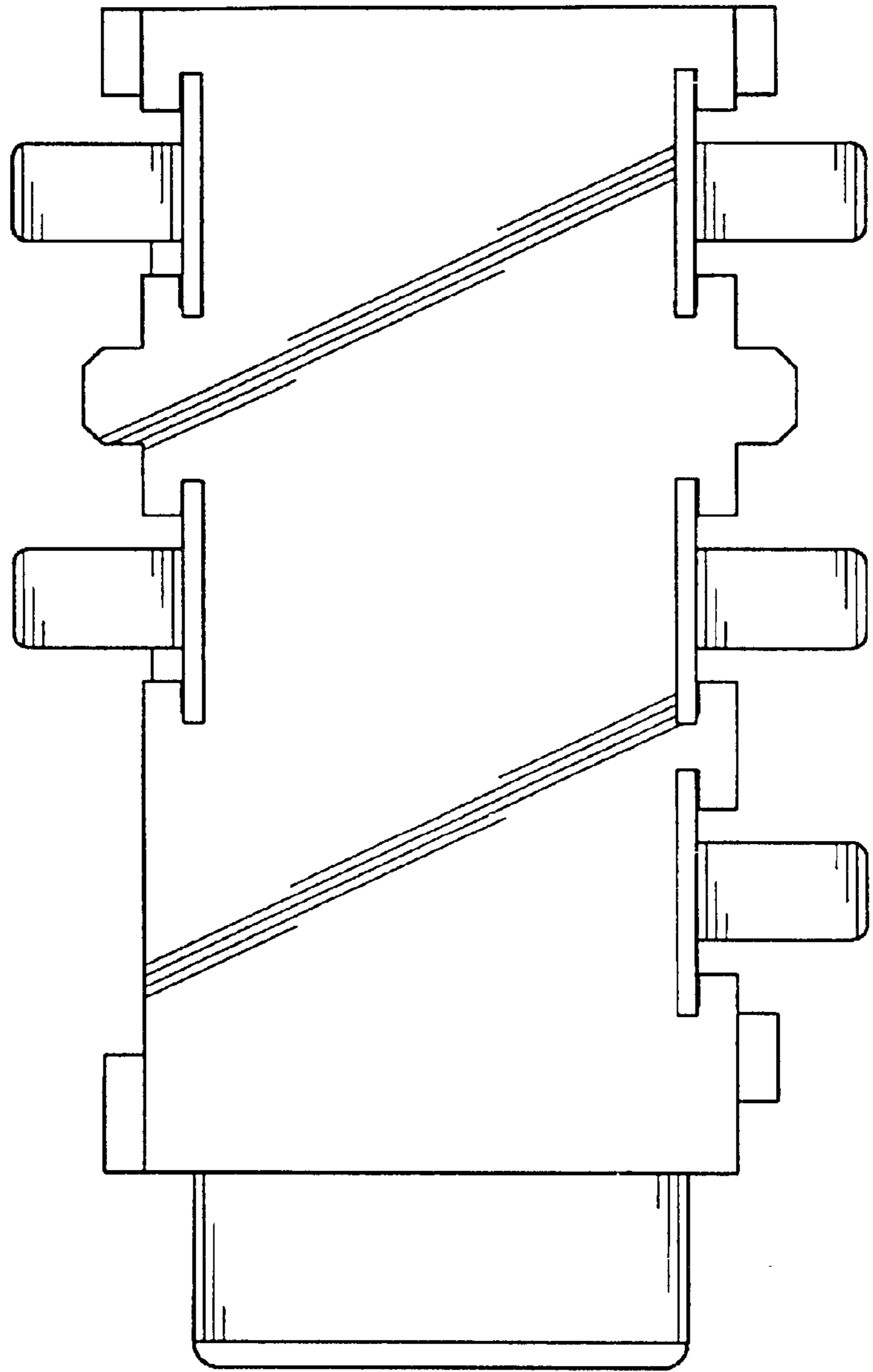


FIG. 7