



US00D457491S

(12) **United States Design Patent**
Kaiser et al.

(10) **Patent No.:** **US D457,491 S**

(45) **Date of Patent:** **** May 21, 2002**

(54) **ULTRASONIC TRANSDUCER**

(75) Inventors: **Donald Kaiser**, Clarence Center; **Jeff Valery**; **Earl McCullough**, both of Lockport, all of NY (US)

(73) Assignee: **American Sigma, Inc.**, Loveland, CO (US)

(**) Term: **14 Years**

(21) Appl. No.: **29/127,960**

(22) Filed: **Dec. 22, 1997**

(51) **LOC (7) Cl.** **13-02**

(52) **U.S. Cl.** **D13/101**

(58) **Field of Search** D13/101, 123; D10/96, 101; 73/290 V; 367/908; 340/621

(56) **References Cited**

U.S. PATENT DOCUMENTS

D195,226	S	*	5/1963	Busillo	D10/96
3,851,333	A	*	11/1974	Fishman	73/290 V X
3,910,116	A		10/1975	Smith		
D256,000	S	*	7/1980	Molijn	D10/96
D352,010	S	*	11/1994	Curbbun	D10/101

D361,534	S	*	8/1995	Cook	D10/96
D397,631	S	*	9/1998	Riegel	D10/101
D413,825	S	*	9/1999	Storsved	D10/96
D440,168	S	*	4/2001	Lister et al.	D10/96

* cited by examiner

Primary Examiner—Joel Sincavage

(74) *Attorney, Agent, or Firm*—Weiner & Burt, P.C.; Irving M. Weiner; Pamela S. Burt

(57) **CLAIM**

The ornamental design for an ultrasonic transducer, as shown and described.

DESCRIPTION

FIG. 1 is a perspective view of a new, original, and ornamental design of a preferred embodiment of the present invention.

FIG. 2 is a front elevational view thereof.

FIG. 3 is a side elevational view thereof.

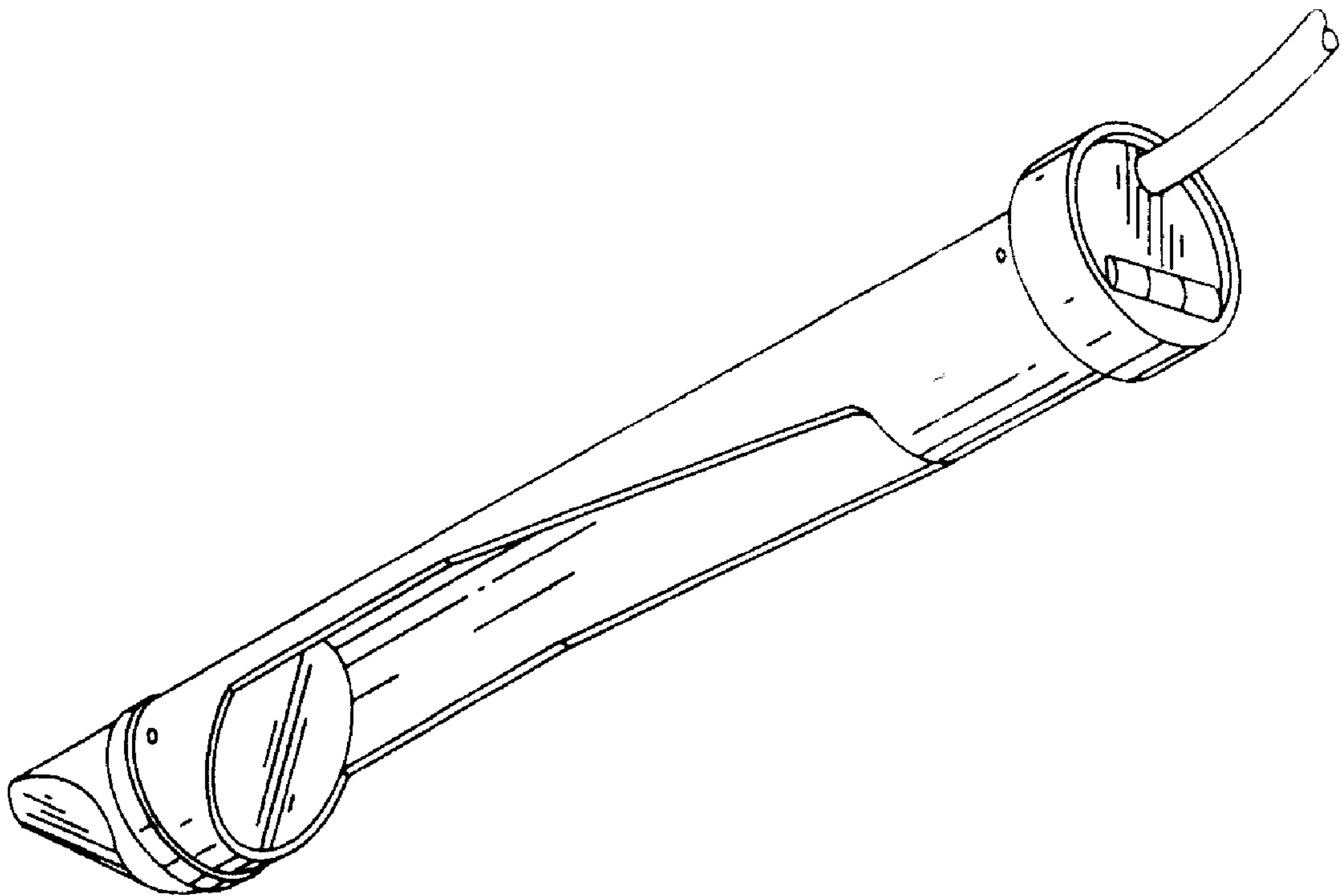
FIG. 4 is a rear elevational view thereof.

FIG. 5 is a top plan view thereof.

FIG. 6 is a second side elevational view thereof; and,

FIG. 7 is a bottom plan view thereof.

1 Claim, 1 Drawing Sheet



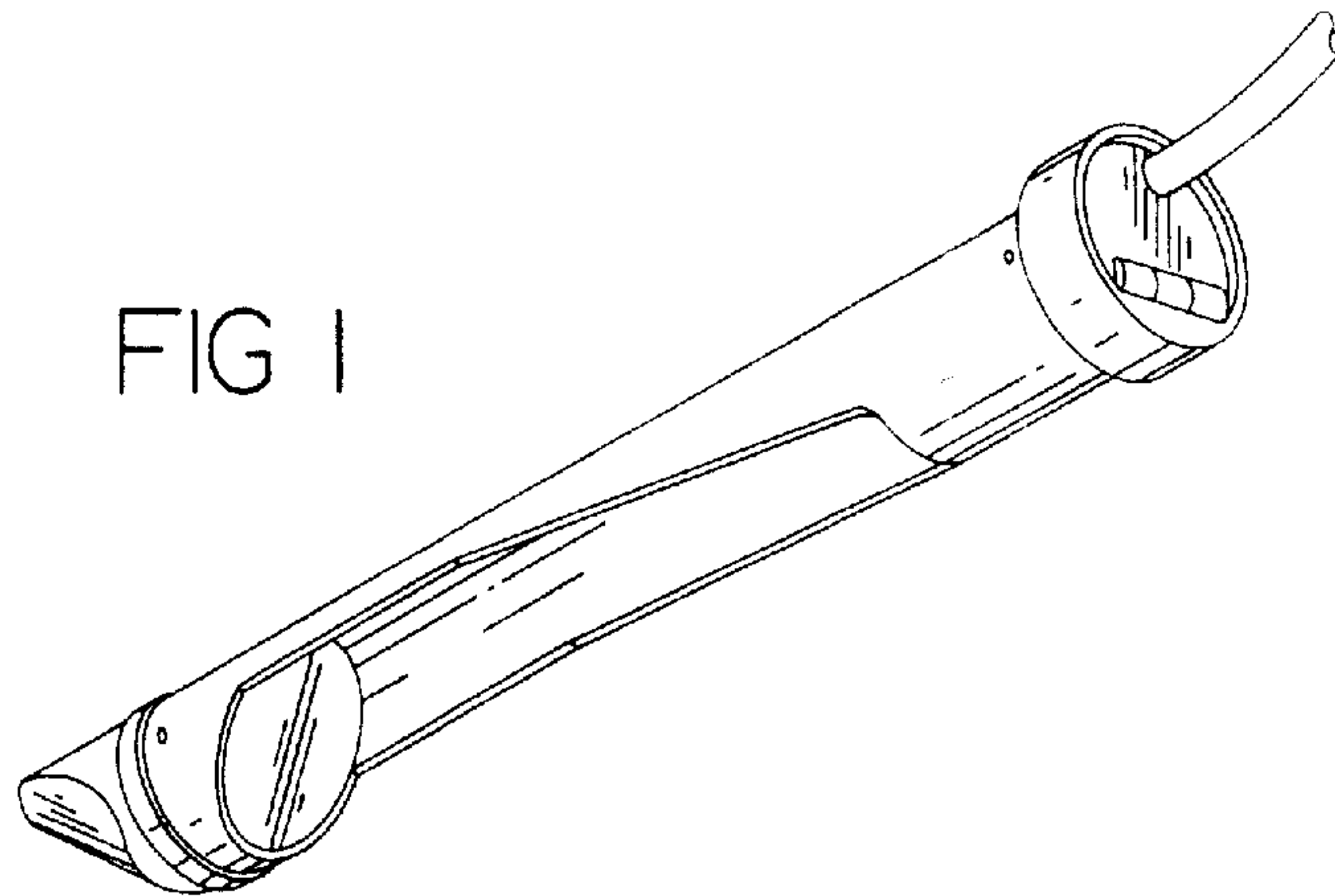


FIG 2

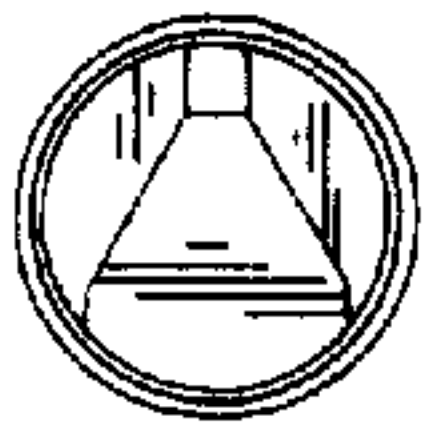


FIG 3

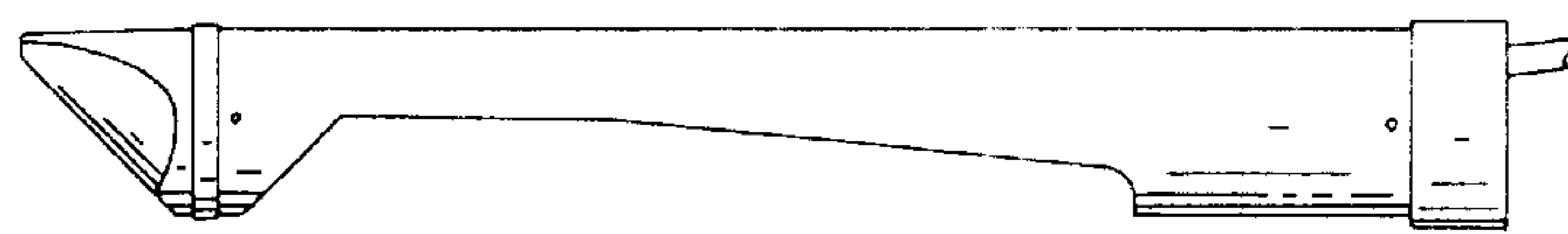


FIG 4

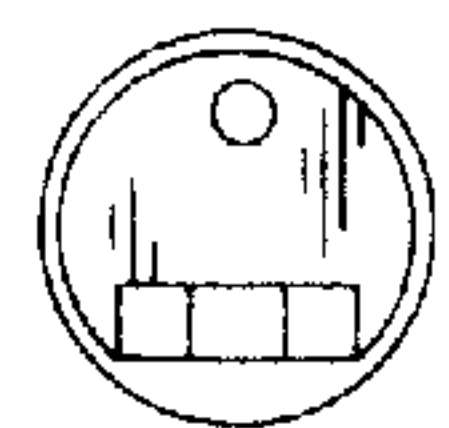


FIG 5

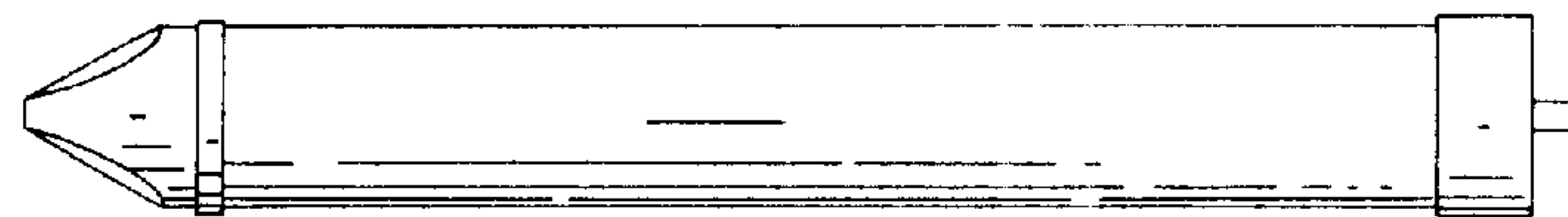


FIG 6

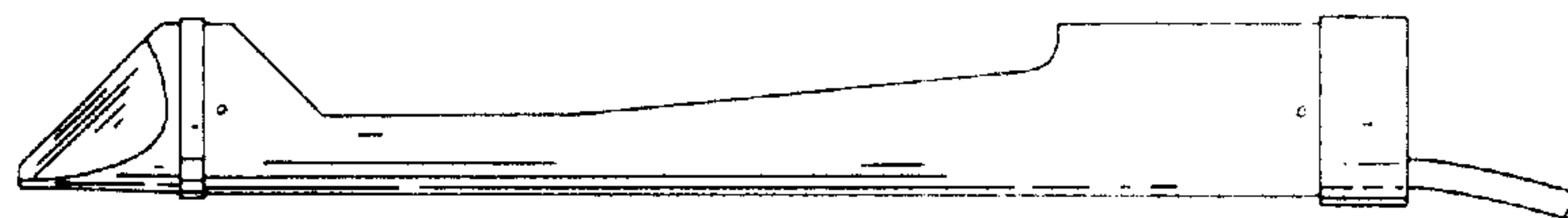


FIG 7

