



US00D457490S

(12) **United States Design Patent**  
**Welbes**

(10) **Patent No.:** **US D457,490 S**

(45) **Date of Patent:** **\*\* May 21, 2002**

(54) **TIRE TREAD**

(75) Inventor: **Paul Welbes, Schrondeweiler (LU)**

(73) Assignee: **The Goodyear Tire & Rubber Company, Akron, OH (US)**

(\*\*) Term: **14 Years**

(21) Appl. No.: **29/141,771**

(22) Filed: **May 11, 2001**

(51) **LOC (7) Cl.** ..... **12-15**

(52) **U.S. Cl.** ..... **D12/583**

(58) **Field of Search** ..... D12/547, 548,  
D12/566, 582, 583, 602, 603; 152/209.1,  
209.9, 209.27

(56) **References Cited**

**U.S. PATENT DOCUMENTS**

D225,041 S	*	10/1972	Magick	.....	D12/583
4,481,991 A		11/1984	Pieper	.....	152/209 R
D296,315 S	*	6/1988	Hayakawa et al.	.....	D12/583
4,815,512 A		3/1989	Gerresheim et al.	....	152/209 R
5,097,882 A		3/1992	Adam et al.	.....	152/209 R
5,211,781 A		5/1993	Adam et al.	.....	152/209 R
D344,476 S		2/1994	Manestar	.....	D12/146
5,343,914 A		9/1994	Wako	.....	152/209 R
D365,066 S		12/1995	Attinello et al.	.....	D12/147
D379,334 S		5/1997	Rohweder et al.	.....	D12/146

D379,445 S		5/1997	Rohweder et al.	.....	D12/147
D384,315 S		9/1997	Rohweder et al.	.....	D12/148
D388,037 S		12/1997	Rohweder et al.	.....	D12/147
D390,818 S		2/1998	De Barsy et al.	.....	D12/147
D391,537 S	*	3/1998	Maxwell	.....	D12/583
D402,239 S		12/1998	Le et al.	.....	D12/146
D414,727 S		10/1999	Brown et al.	.....	D12/146

\* cited by examiner

*Primary Examiner*—Robert M. Spear

(74) *Attorney, Agent, or Firm*—David L. King

(57) **CLAIM**

The ornamental Design for a tire tread, as shown and described.

**DESCRIPTION**

FIG. 1 is a perspective view of a tire tread showing our new design, it being understood that the pattern repeats uniformly throughout the circumference of the tread;

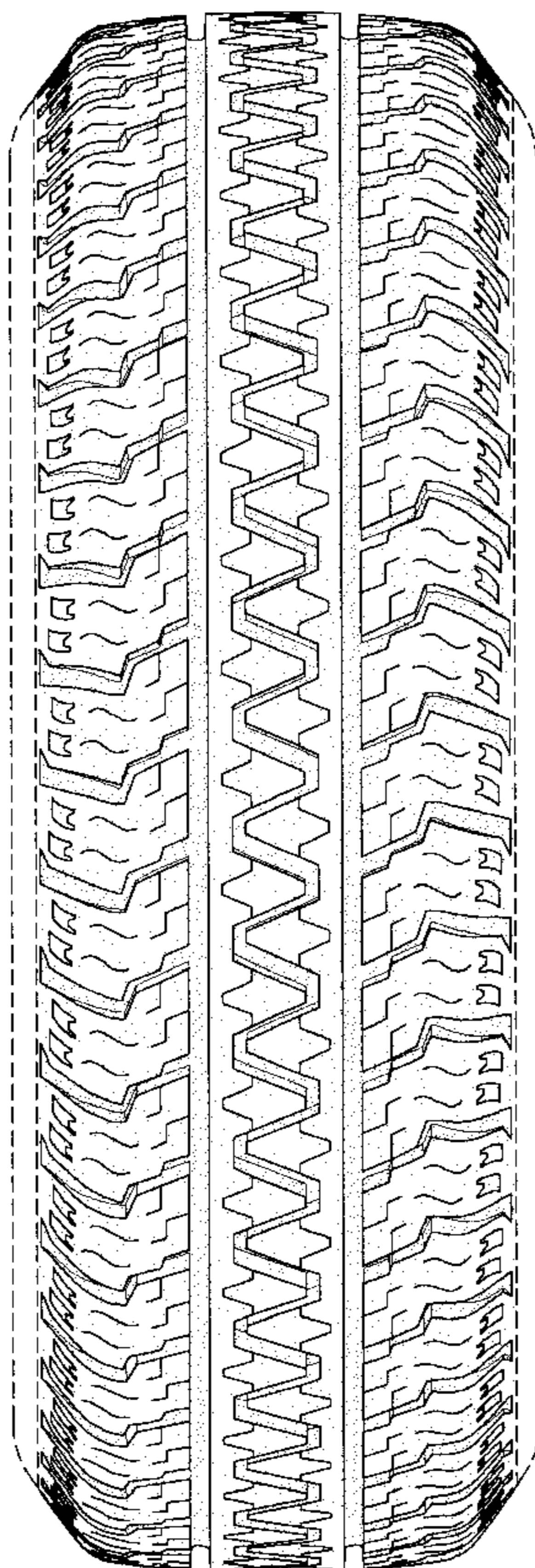
FIG. 2 is a front elevational view thereof;

FIG. 3 is a side elevational view thereof, the opposite side elevational view being identical thereto; and,

FIG. 4 is an enlarged fragmentary perspective view.

In the drawings, the broken lines defining the sidewall and inner bead of the tire and the peripheral boundary between the tire tread and the sidewall are for illustrative purposes only and form no part of the claimed design.

**1 Claim, 4 Drawing Sheets**



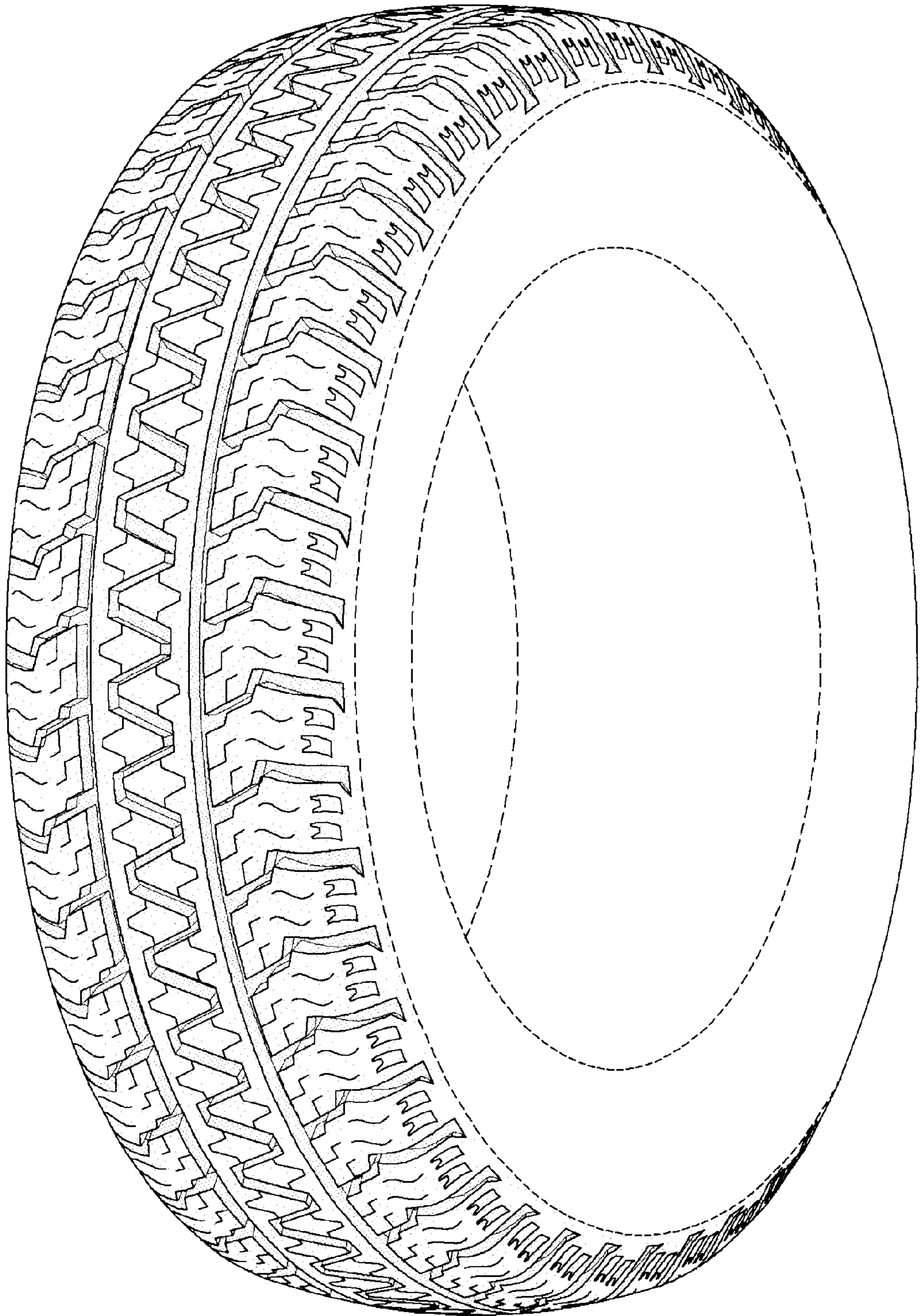


FIG-1

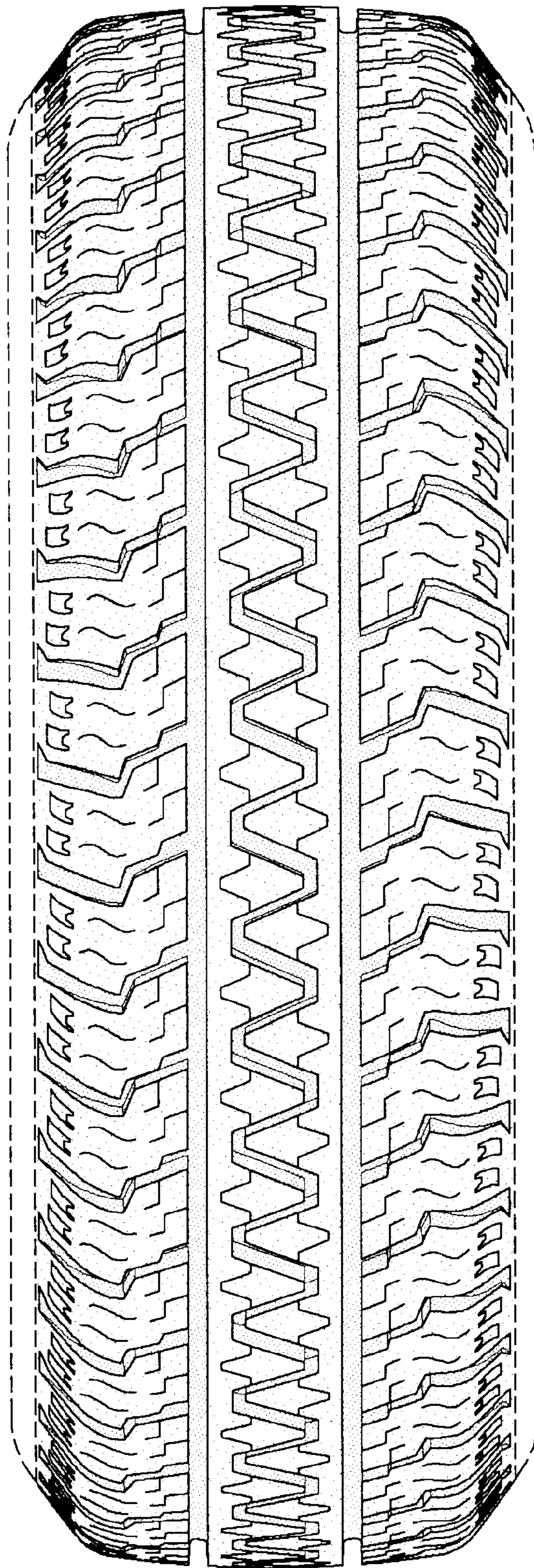


FIG-2

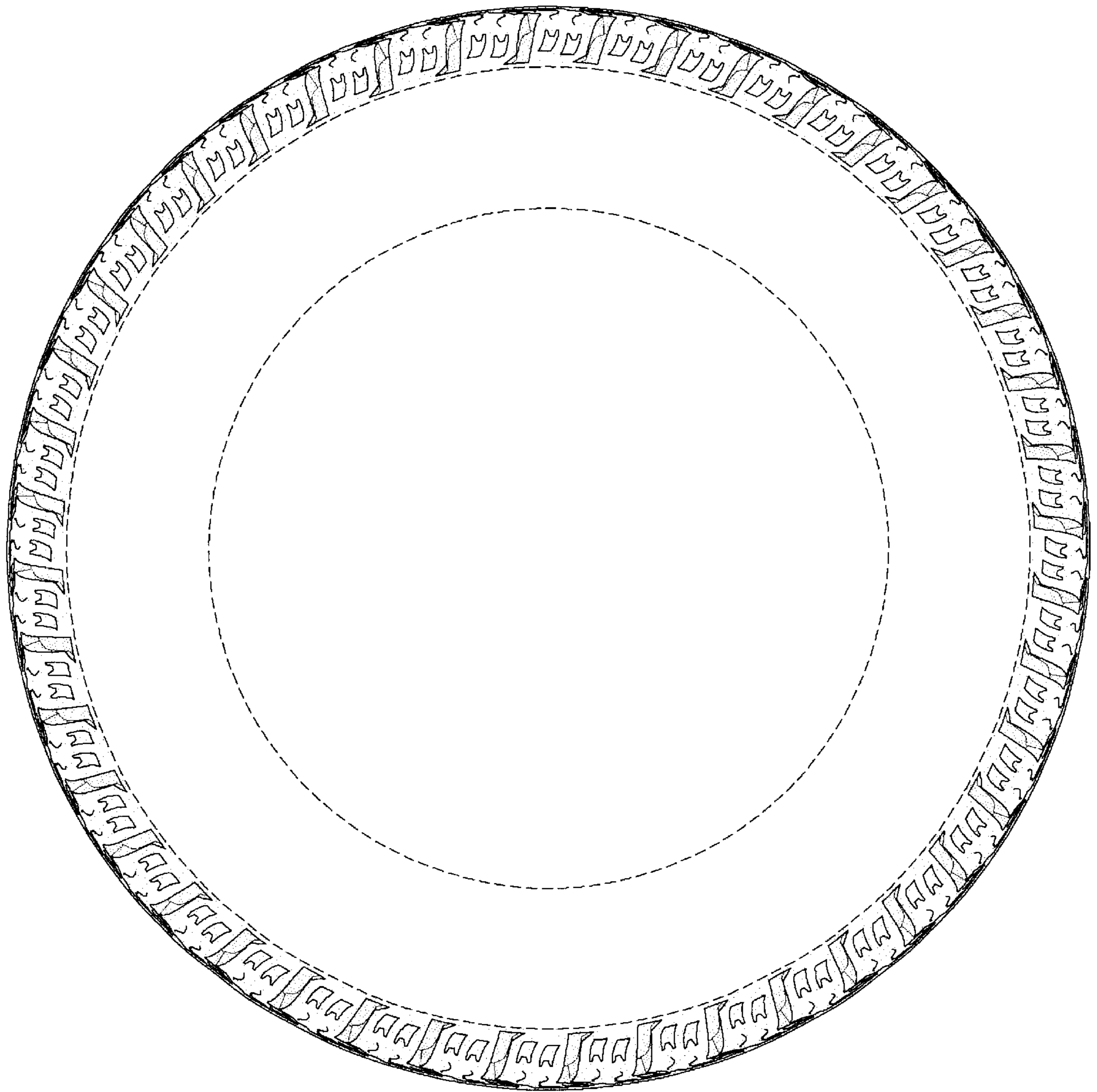


FIG-3

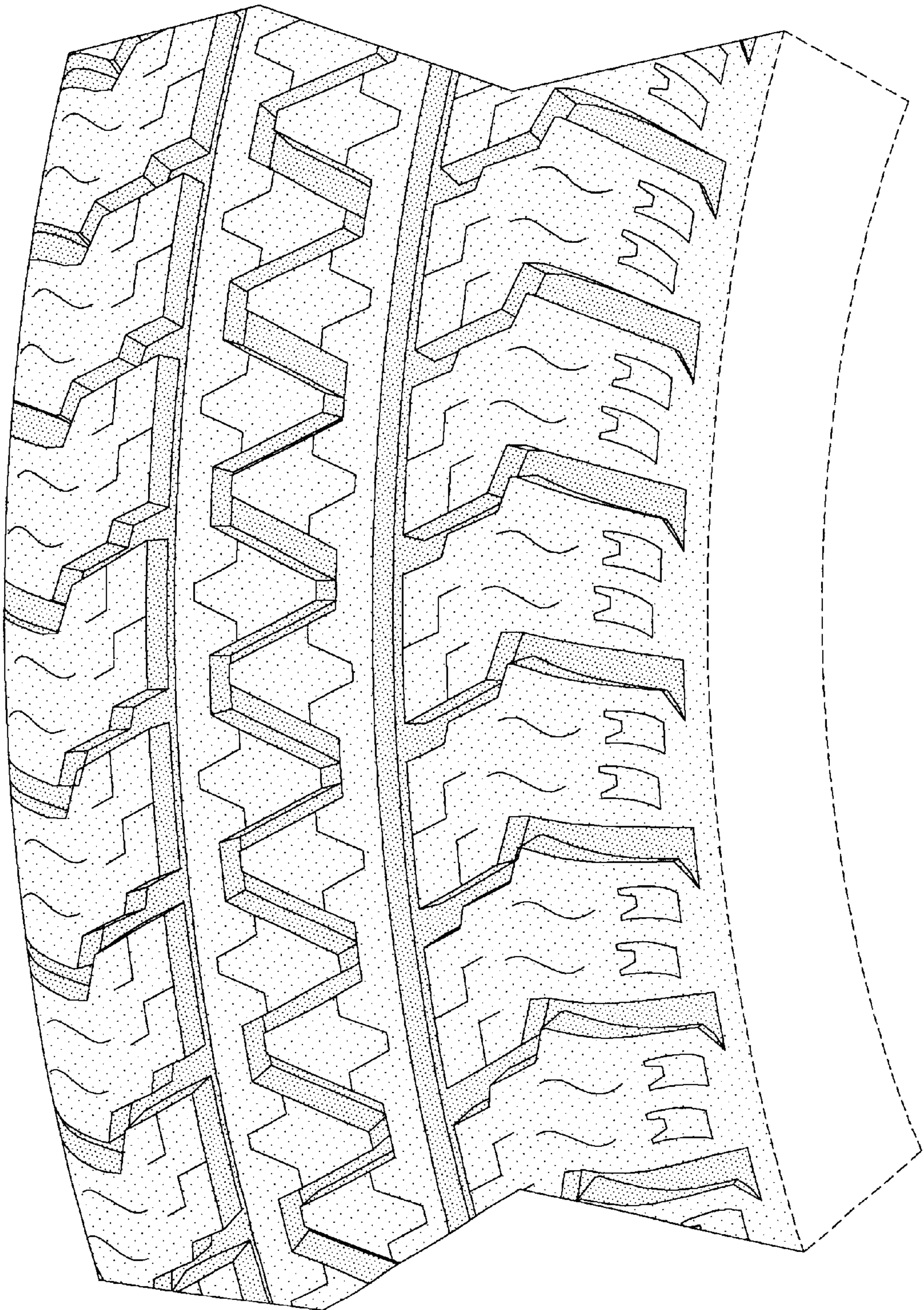


FIG-4