



US00D457484S

(12) **United States Design Patent**
Liu

(10) **Patent No.:** **US D457,484 S**

(45) **Date of Patent:** **** May 21, 2002**

(54) **TIRE**

(76) **Inventor:** **Yu-Ren Liu**, No. 37, Alley 29, Lane 439, Sec. 2, Yuan-Chi Rd., Yuan-Lin Chen, Changhua Hsien (TW)

(**) **Term:** **14 Years**

(21) **Appl. No.:** **29/144,326**

(22) **Filed:** **Jul. 2, 2001**

(51) **LOC (7) Cl.** **12-15**

(52) **U.S. Cl.** **D12/570**

(58) **Field of Search** D12/534, 535, D12/536, 537, 538, 552, 569, 570, 571, 572, 573, 587; 152/209.1, 209.11, 209.12, 209.13

(56) **References Cited**

U.S. PATENT DOCUMENTS

D47,351 S * 5/1915 Willis D12/570
D48,348 S * 12/1915 Ellis D12/570

D57,336 S * 3/1921 Harris D12/571
D59,982 S * 12/1921 Schoenfeldt D12/571
D236,710 S * 9/1975 Buck et al. D12/570

* cited by examiner

Primary Examiner—Robert M. Spear
(74) *Attorney, Agent, or Firm*—Charles E. Baxley

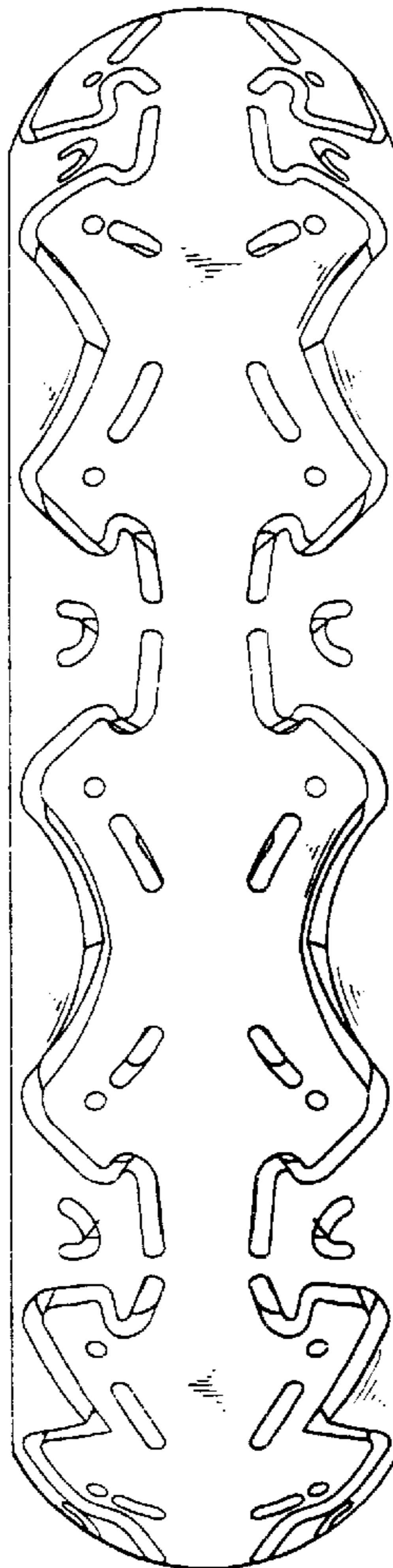
(57) **CLAIM**

The ornamental design for a tire, as shown and described.

DESCRIPTION

FIG. 1 is a perspective view of a tire showing my new design;
FIG. 2 is a front elevational view thereof; the rear elevational view being identical to that shown;
FIG. 3 is a left side elevational view thereof; the right side elevational view being identical to that shown;
FIG. 4 is a top plan view thereof; and,
FIG. 5 is a bottom plan view thereof.

1 Claim, 4 Drawing Sheets



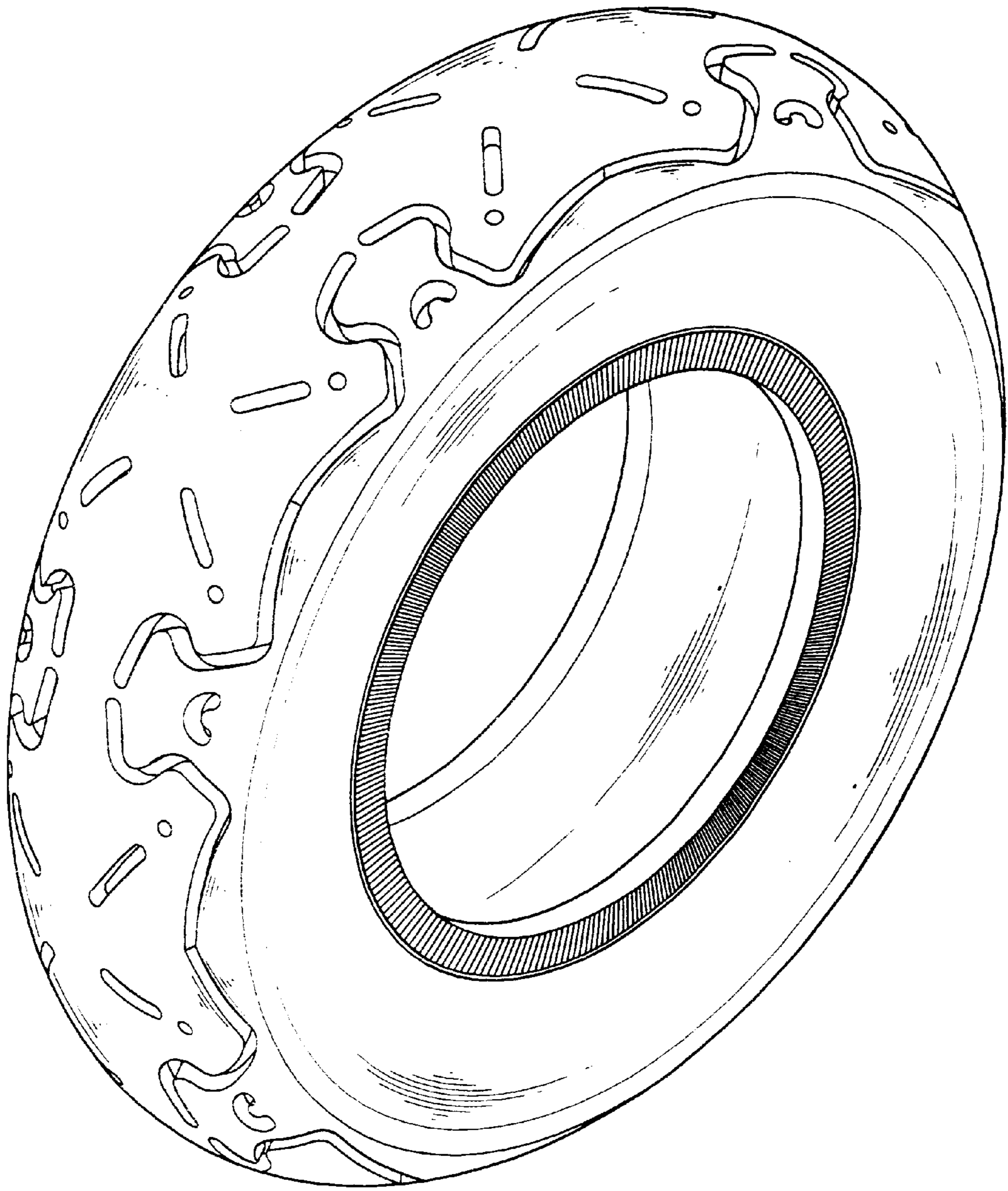


FIG. 1

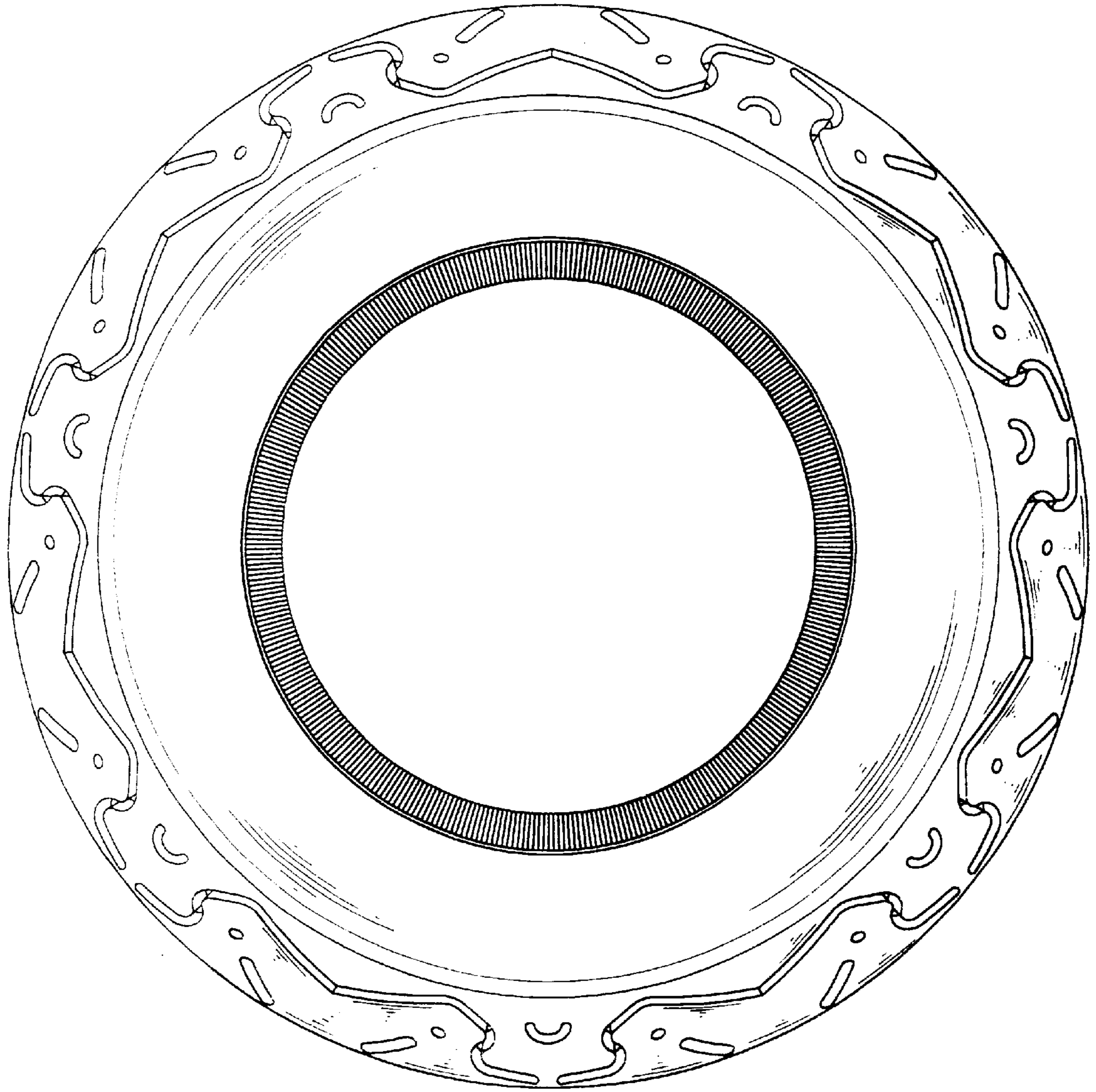


FIG. 2

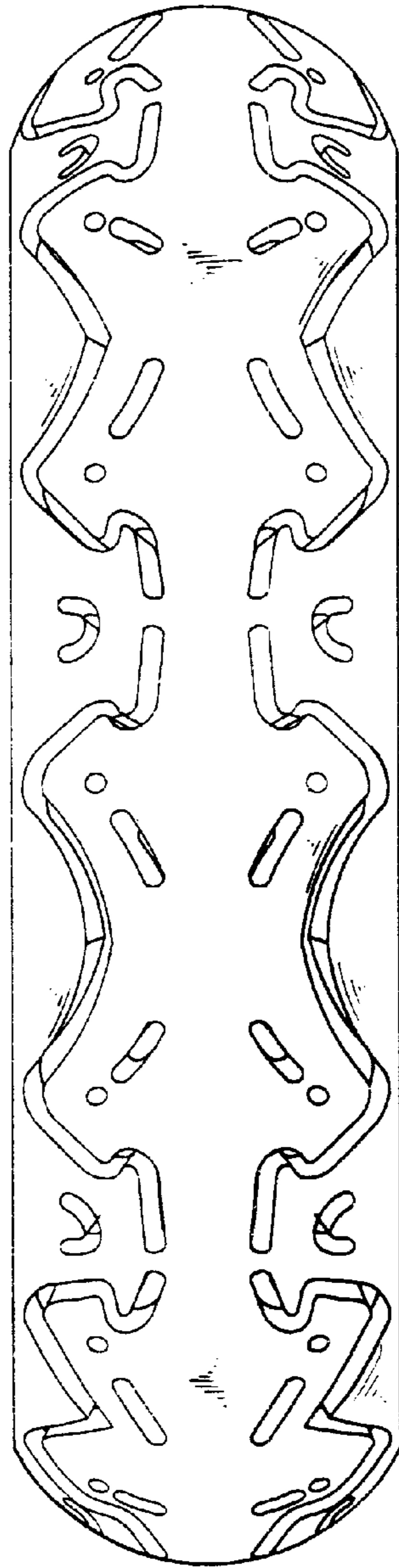


FIG. 3

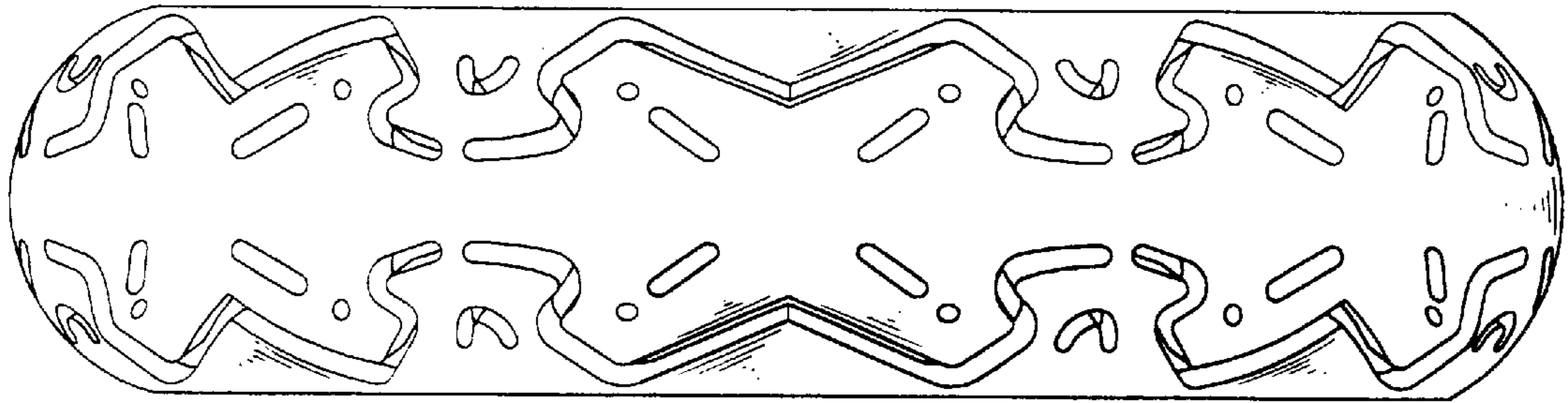


FIG. 4

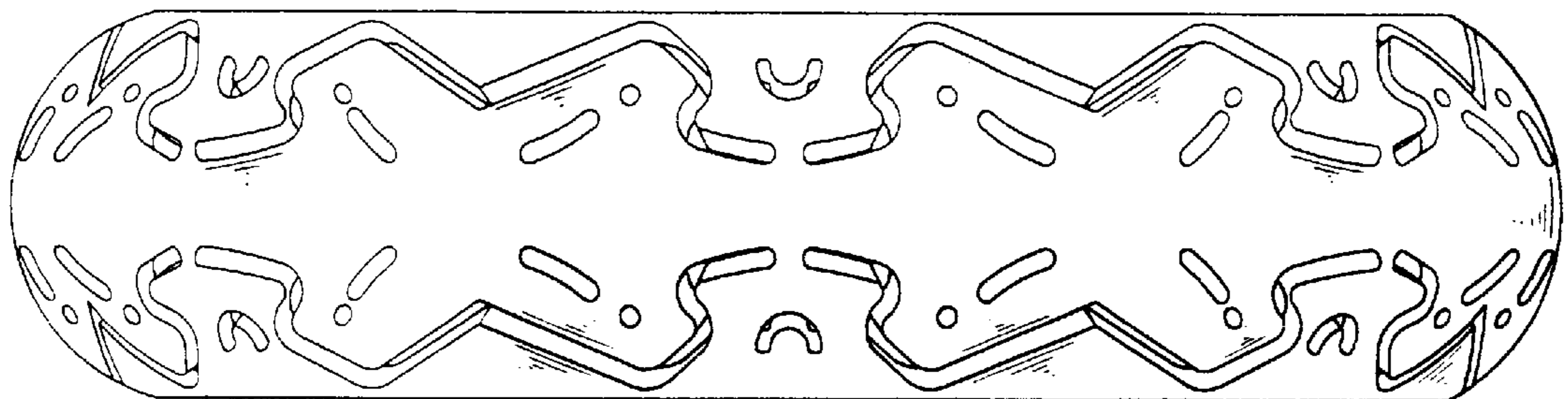


FIG. 5