



US00D457480S

(12) **United States Design Patent**
Natsume et al.

(10) **Patent No.:** **US D457,480 S**
(45) **Date of Patent:** **** May 21, 2002**

(54) **OVERHEAD STOWAGE BIN**

DESCRIPTION

- (75) Inventors: **Norikazu Natsume**, Mukilteo; **W. David Nelson**, Everett; **Michael D. Yeates**, Burlington, all of WA (US)
- (73) Assignee: **JAMCO America, Inc.**, Everett, WA (US)
- (**) Term: **14 Years**
- (21) Appl. No.: **29/148,575**
- (22) Filed: **Sep. 21, 2001**
- (51) **LOC (7) Cl.** **12-07**
- (52) **U.S. Cl.** **D12/345**
- (58) **Field of Search** **D12/345; 220/1.5, 220/4.28, 4.33, 4.34, 7**

FIG. 1 is a front top left side isometric view of our new design;
 FIG. 2 is a front view thereof;
 FIG. 3 is a top view thereof;
 FIG. 4 is a bottom view thereof;
 FIG. 5 is a rear view thereof; and
 FIG. 6 is a right side view thereof, the left side view being a mirror image of the right side view.
 FIG. 7 is a top front left side isometric view of a second embodiment of our new design;
 FIG. 8 is a front view of the second embodiment;
 FIG. 9 is a top view of the second embodiment;
 FIG. 10 is a bottom view of the second embodiment;
 FIG. 11 is a rear view of the second embodiment; and
 FIG. 12 is a right side view of the second embodiment, the left side view being a mirror image of the right side view.
 FIG. 13 is a top front left side isometric view of a third embodiment of our new design;
 FIG. 14 is a front view of the third embodiment;
 FIG. 15 is a top view of the third embodiment;
 FIG. 16 is a bottom view of the third embodiment;
 FIG. 17 is a rear view of the third embodiment; and,
 FIG. 18 is a right side view of the third embodiment, the left side view being a mirror image of the right side view.
 The broken lines in FIGS. 1 through 4, 7 through 10 and 13 through 18 are shown for illustrative purposes only and form no part of the claimed design according to embodiments 1, 2 and 3, respectively.

(56) **References Cited**

U.S. PATENT DOCUMENTS

5,279,437 A * 1/1994 Kupersmit D12/345

* cited by examiner

Primary Examiner—Marcus A. Jackson

(74) *Attorney, Agent, or Firm*—Richardson & Folise

(57) **CLAIM**

The ornamental design for an overhead stowage bin, as shown and described.

1 Claim, 9 Drawing Sheets

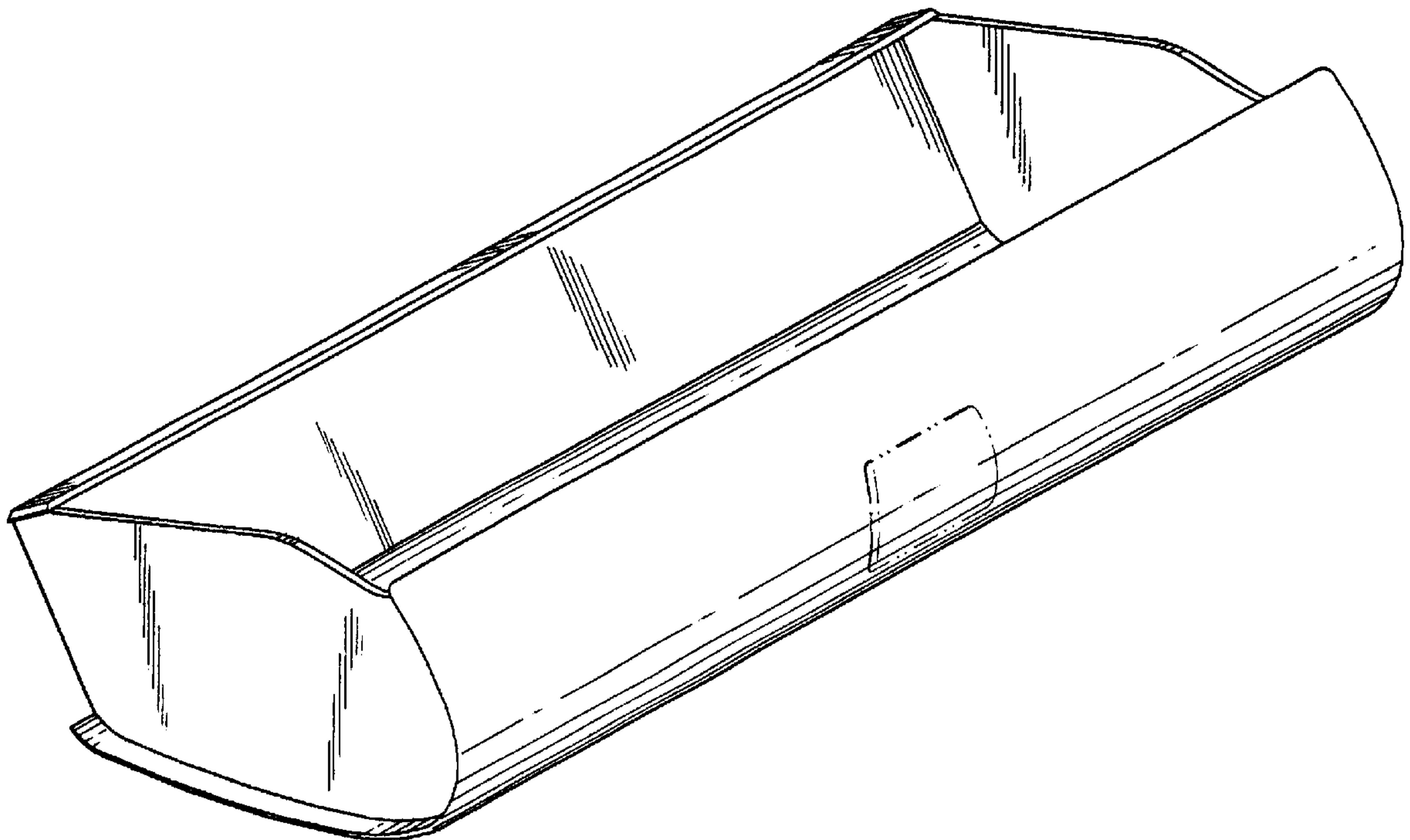


FIG.1

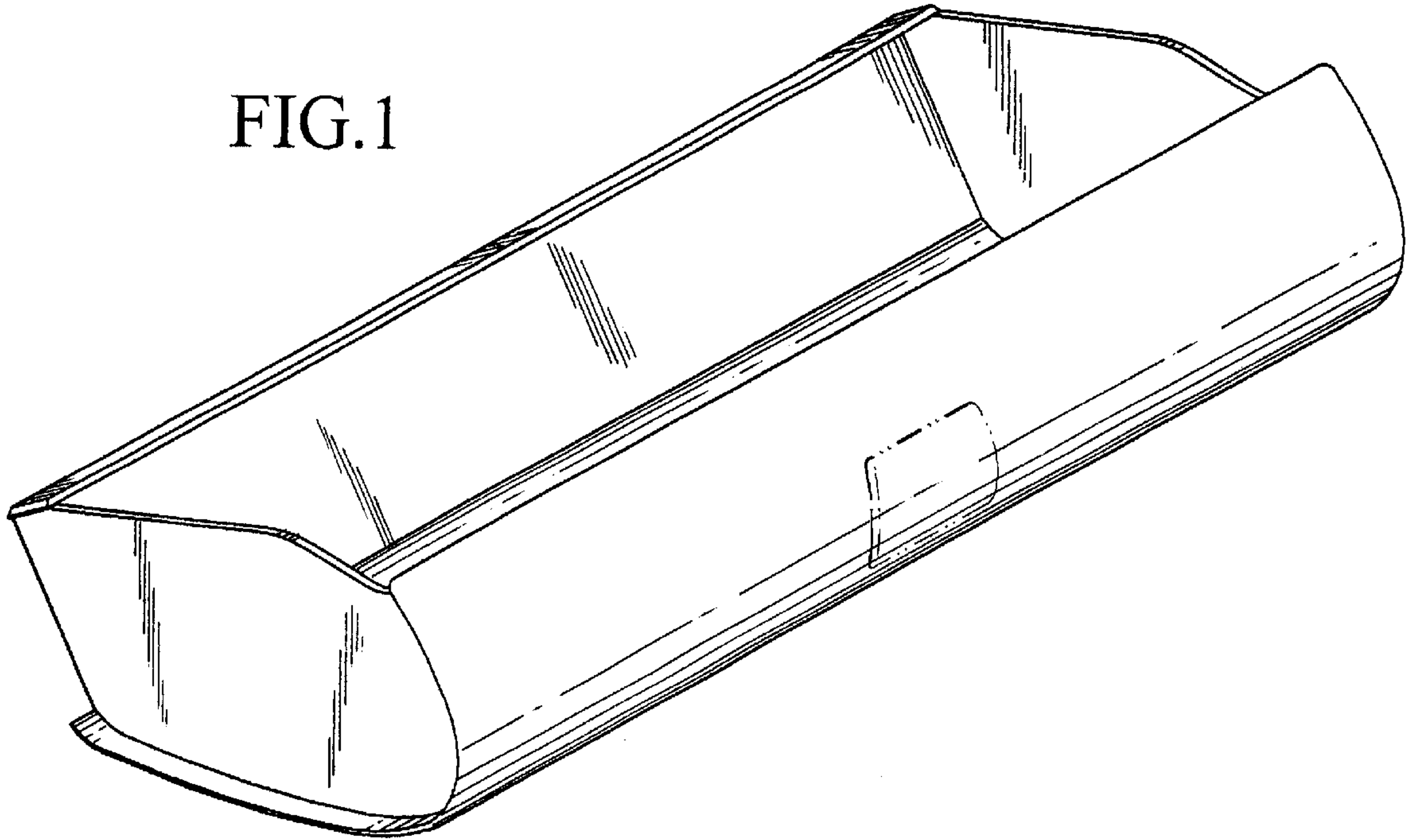


FIG.2

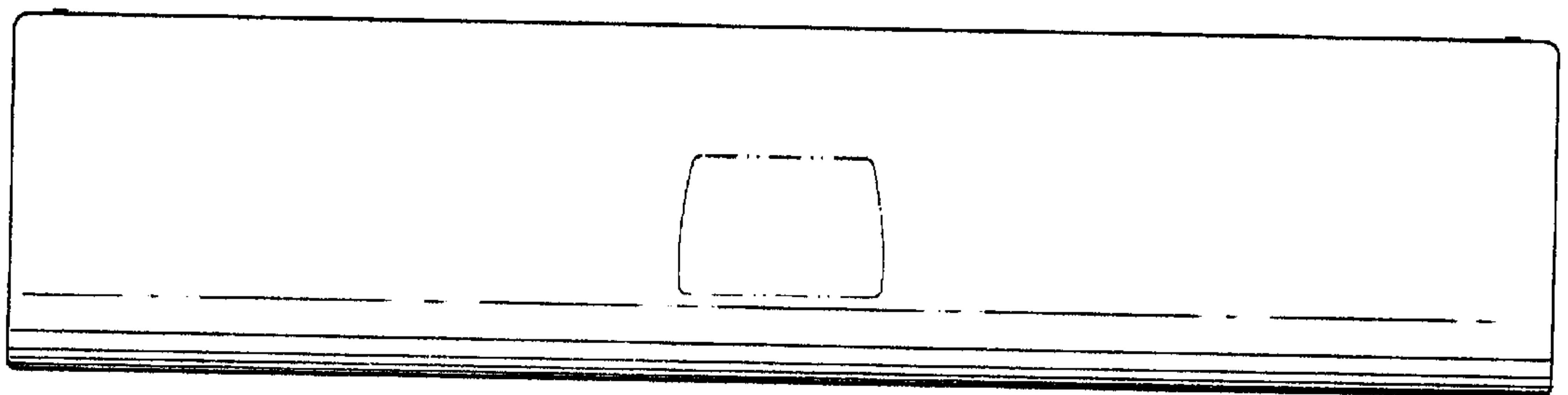


FIG.3

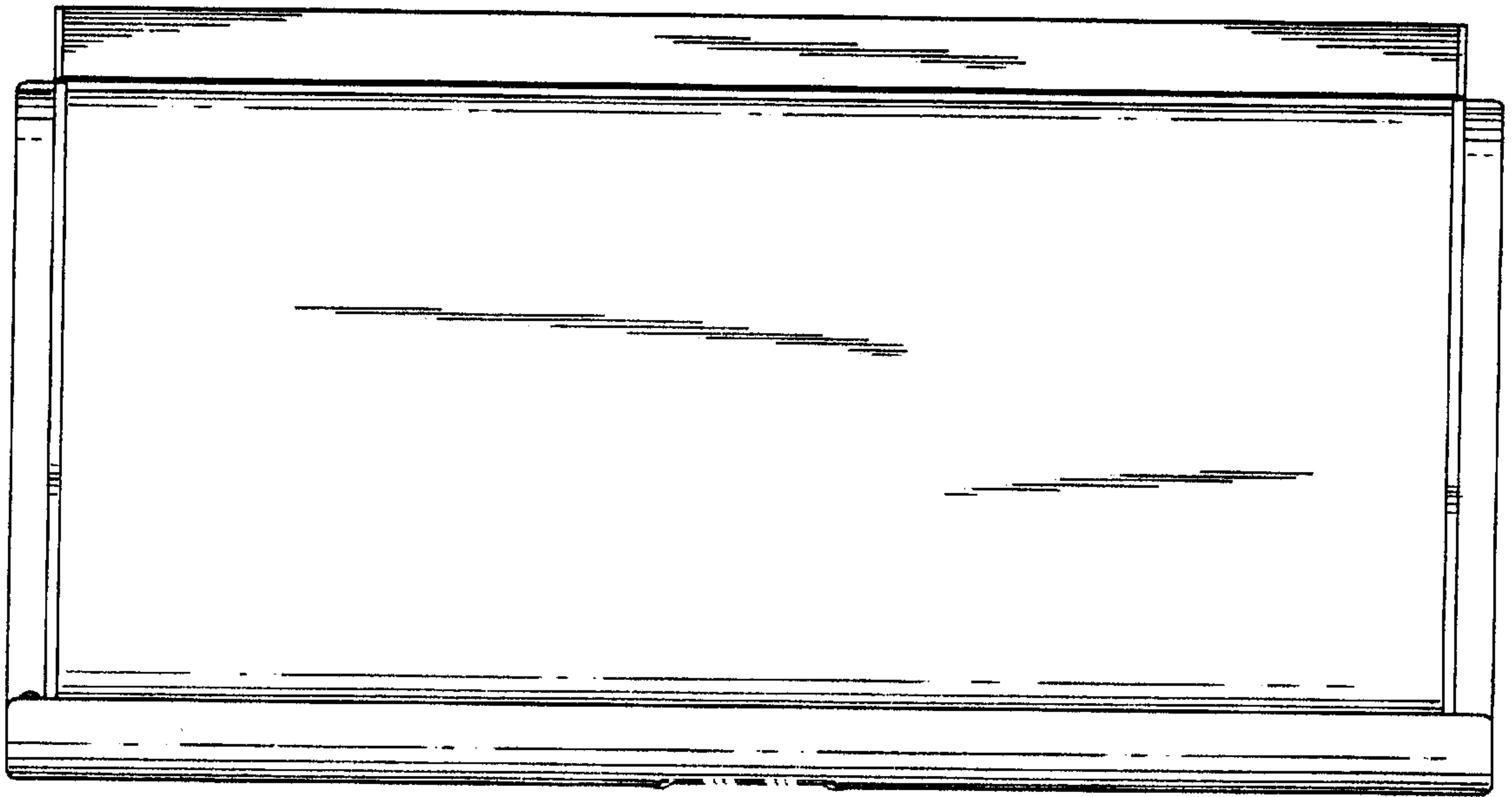


FIG.4

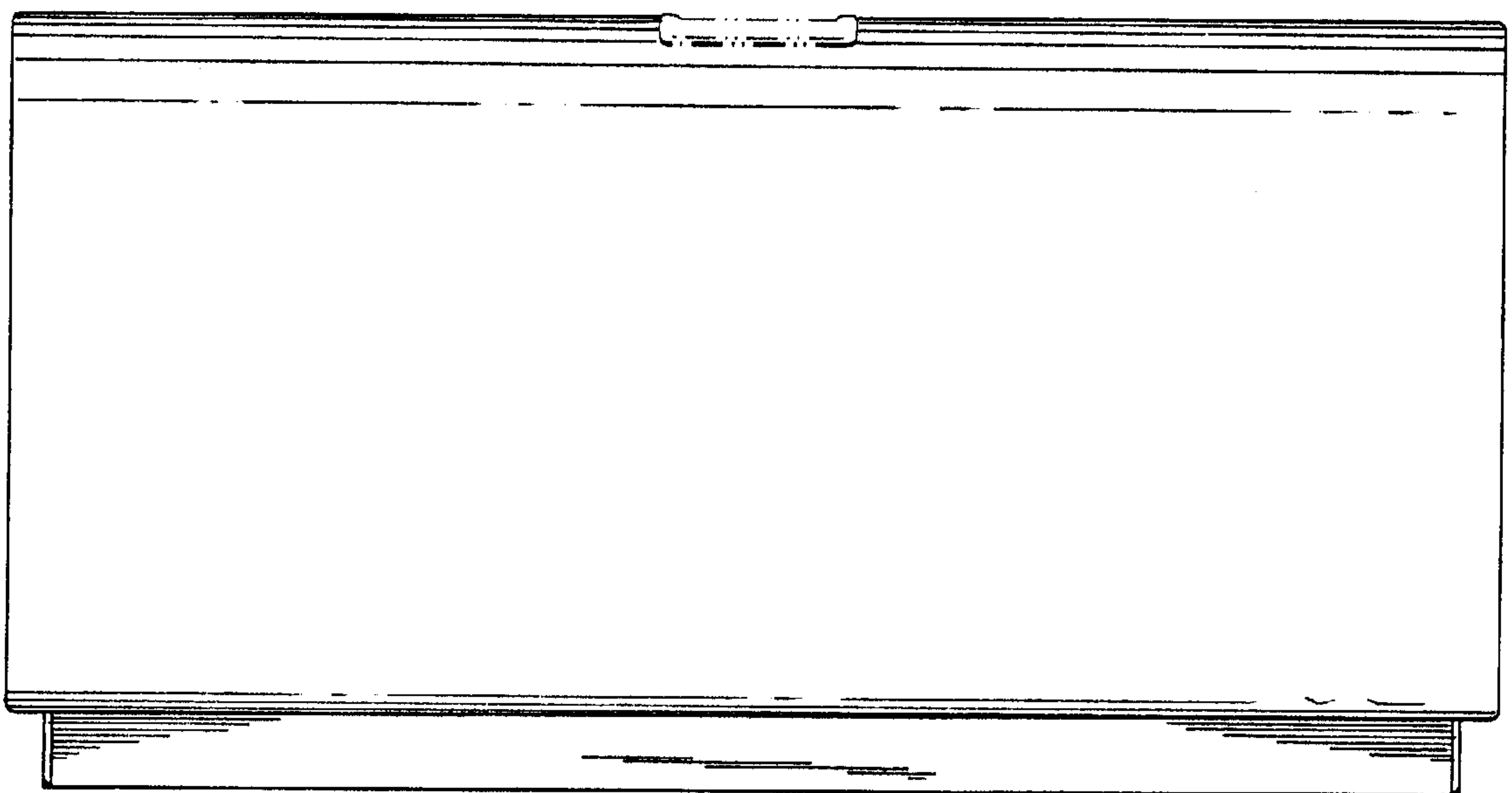


FIG.5

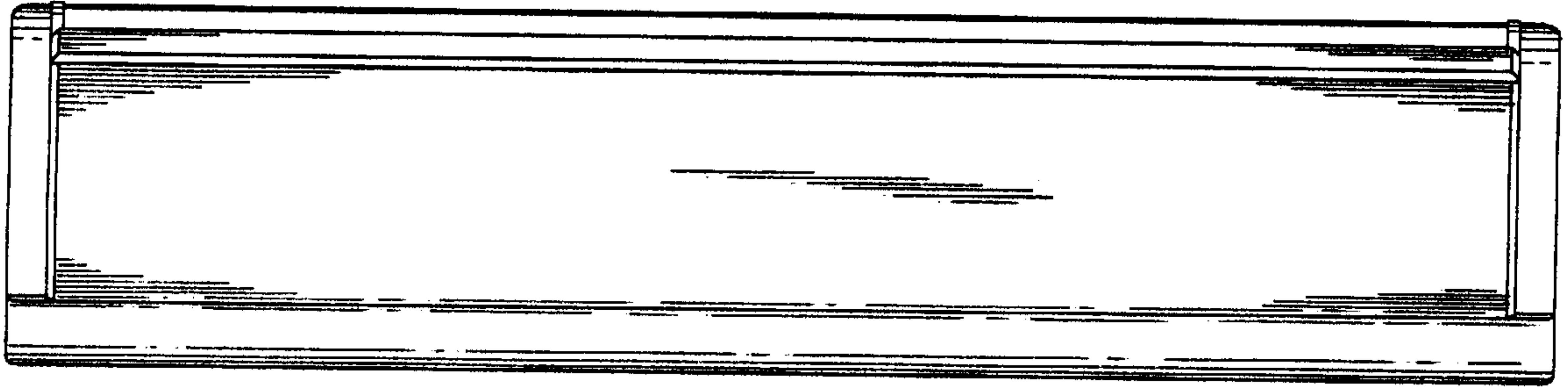
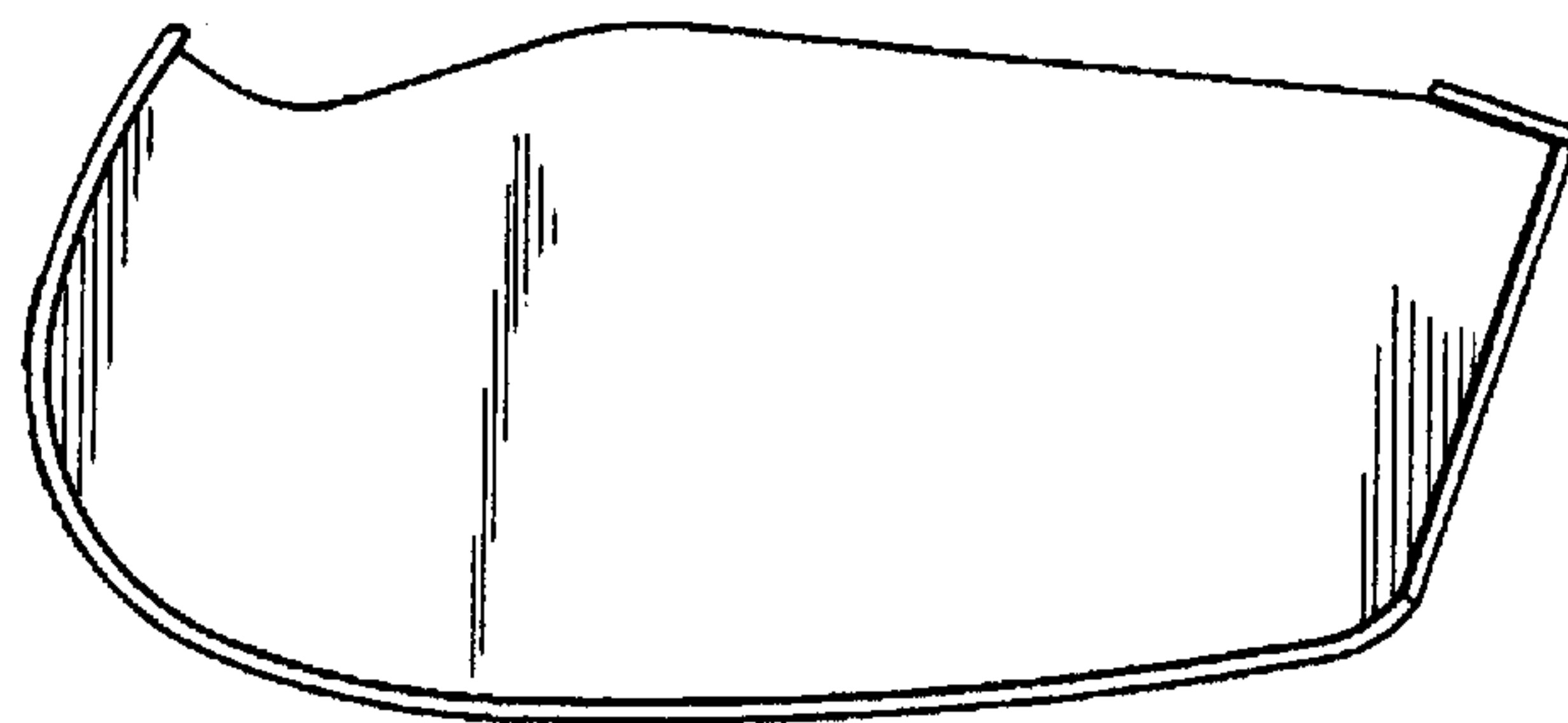


FIG.6



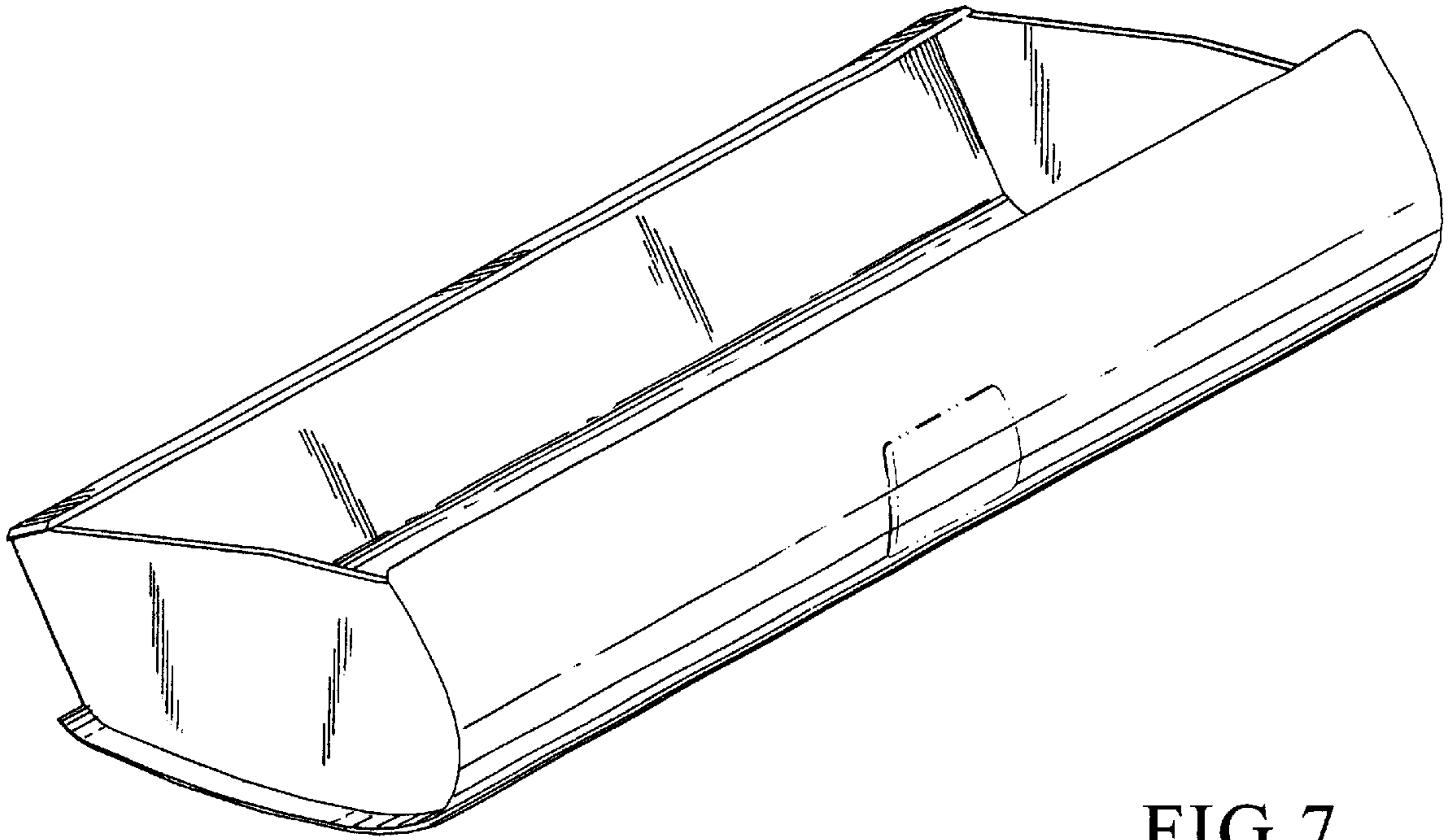
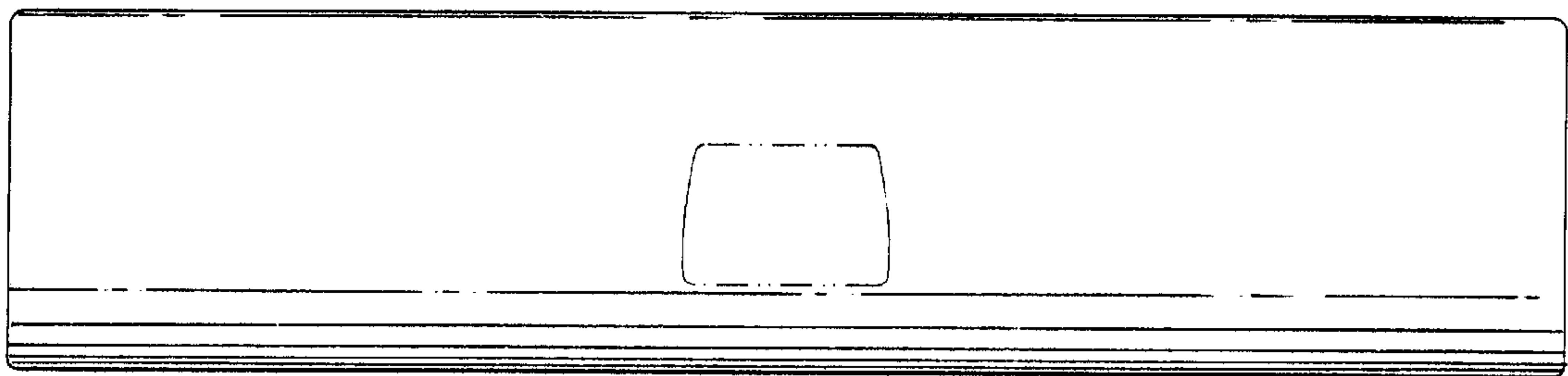


FIG. 7

FIG. 8



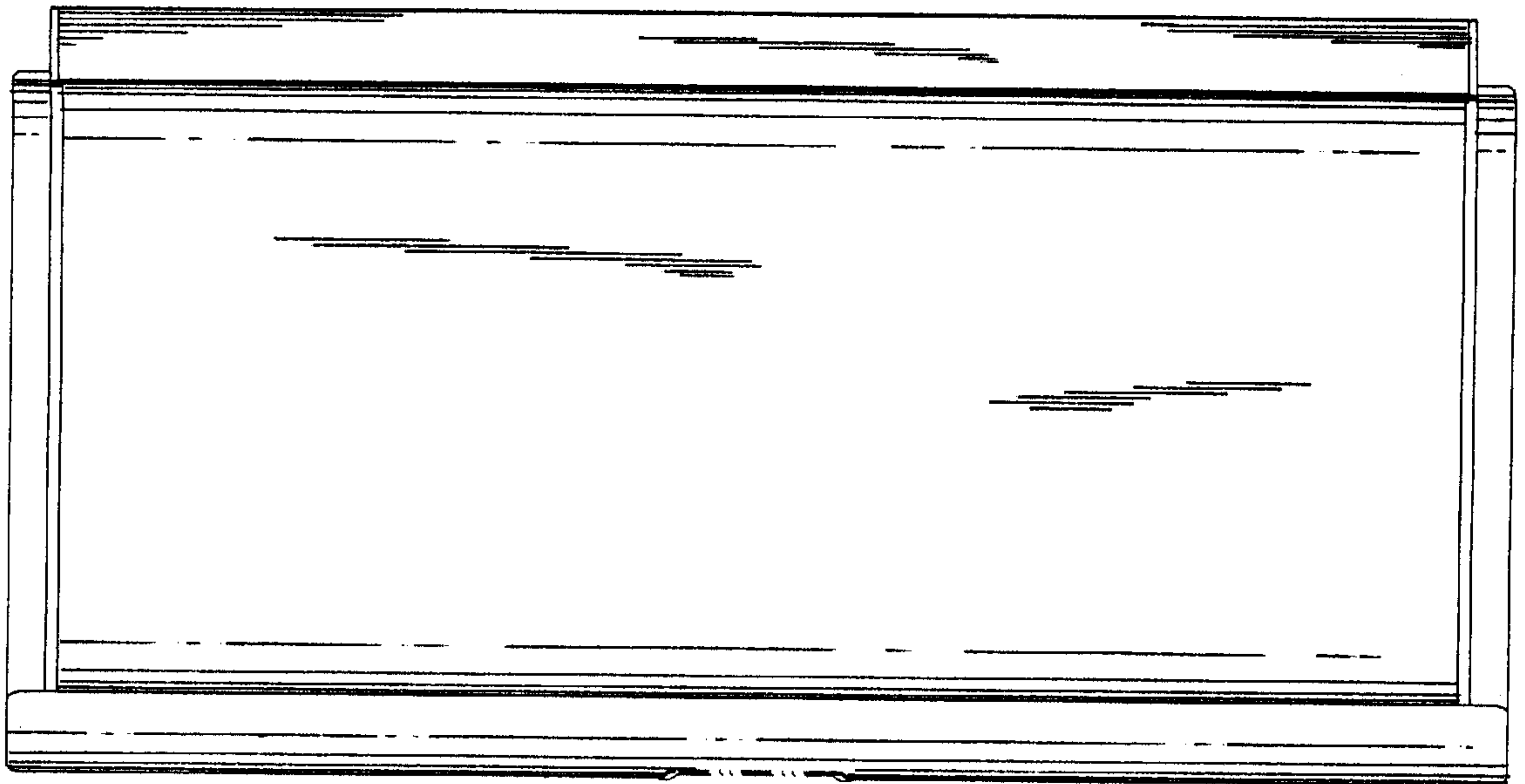
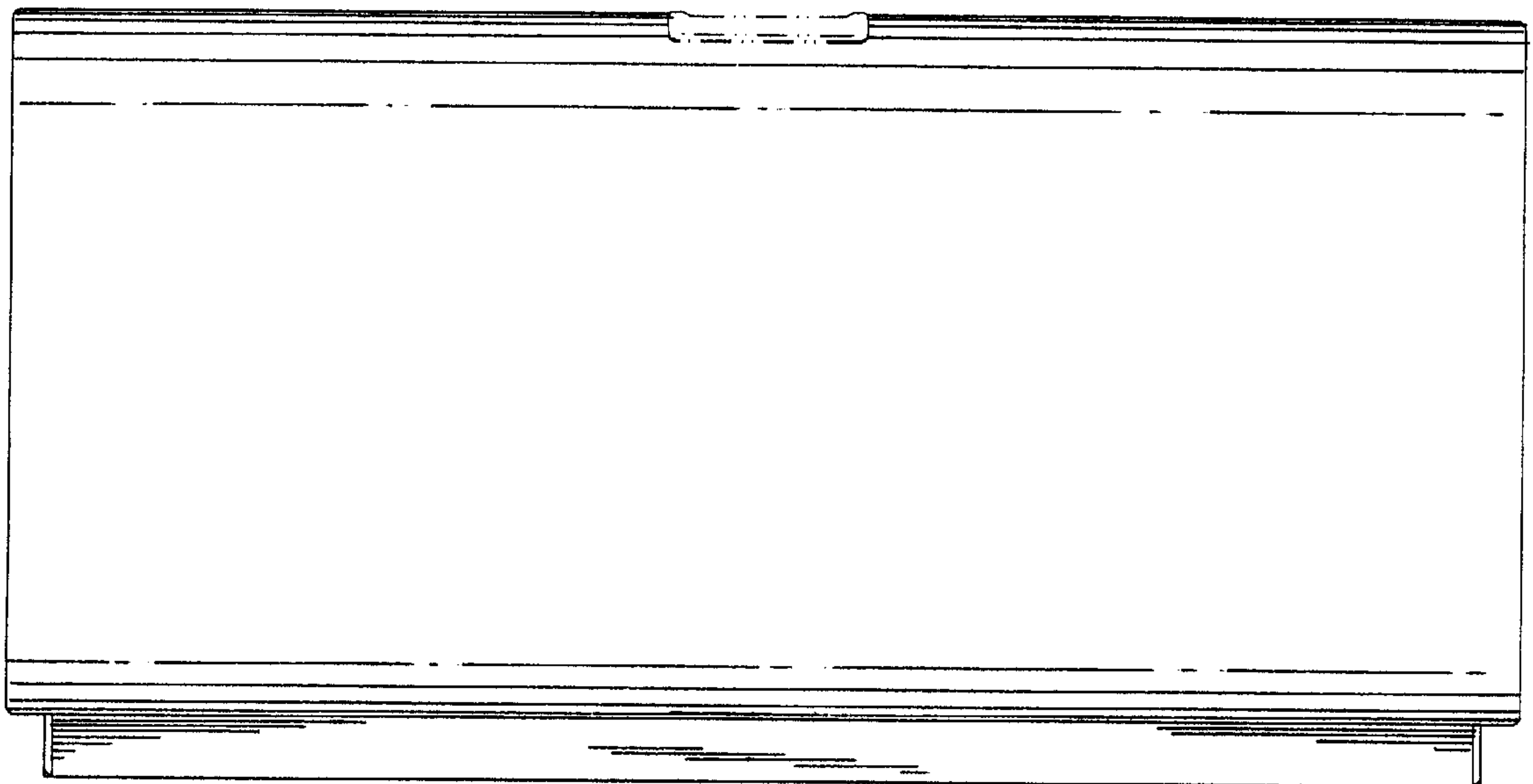


FIG. 9

FIG. 10



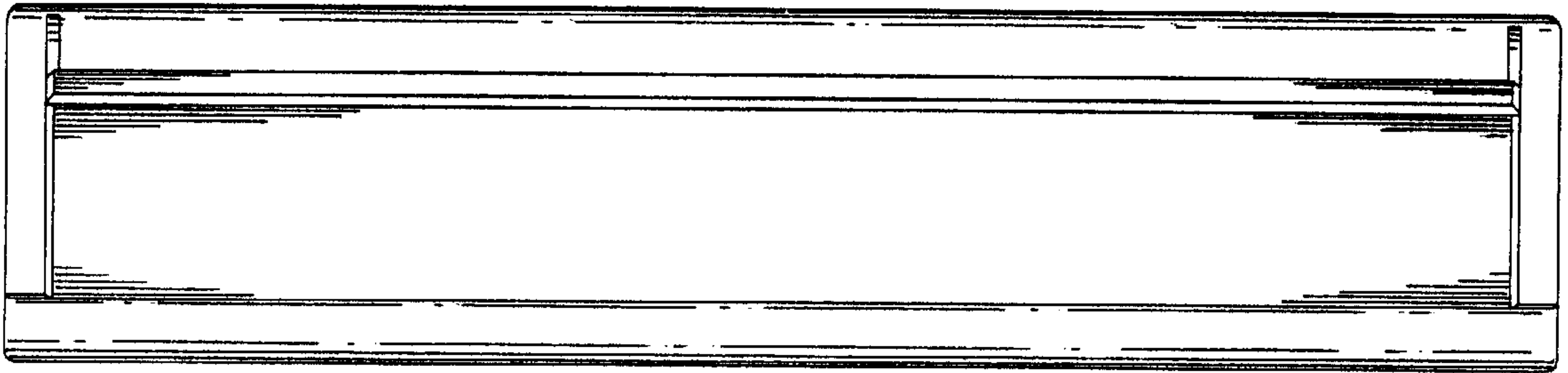


FIG. 11

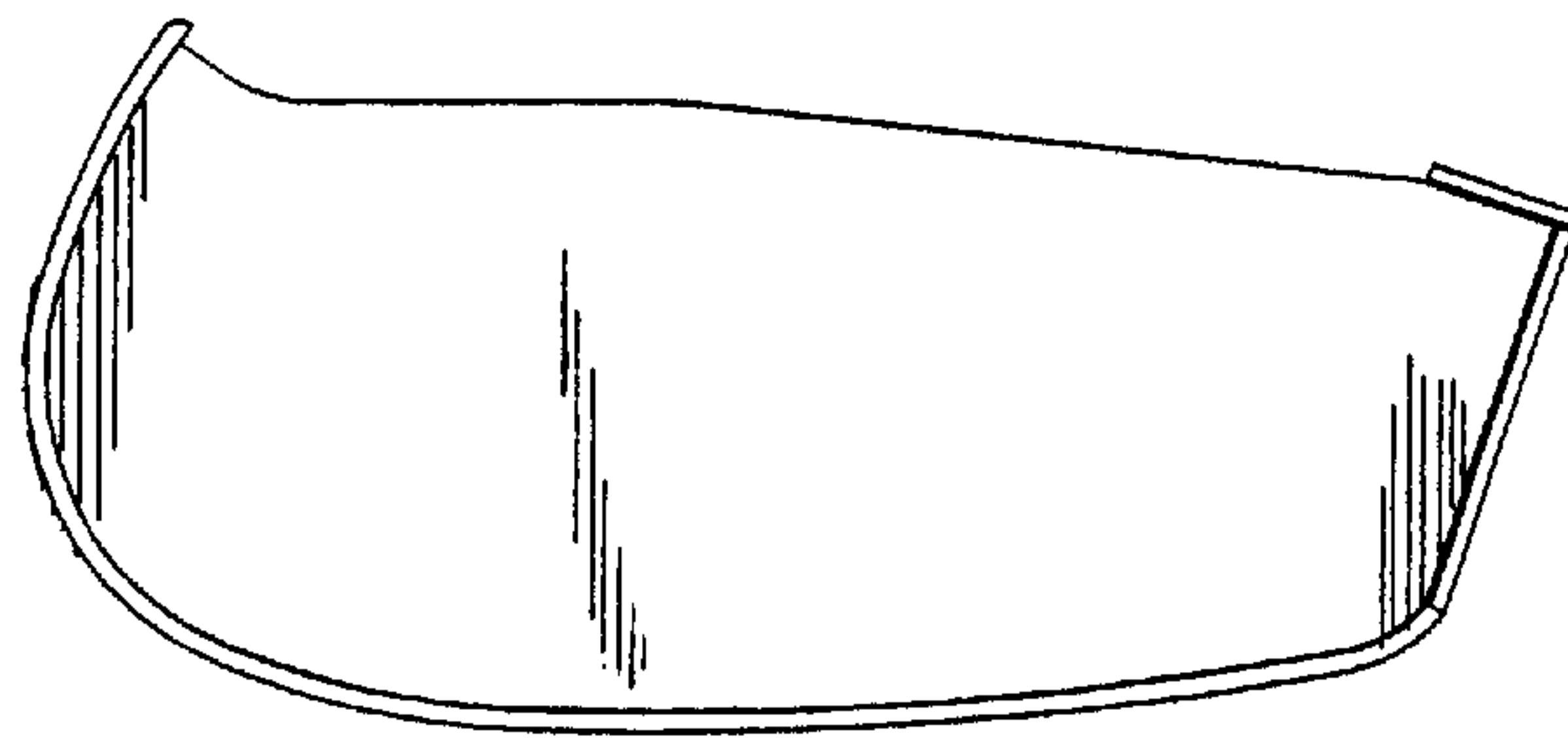


FIG. 12

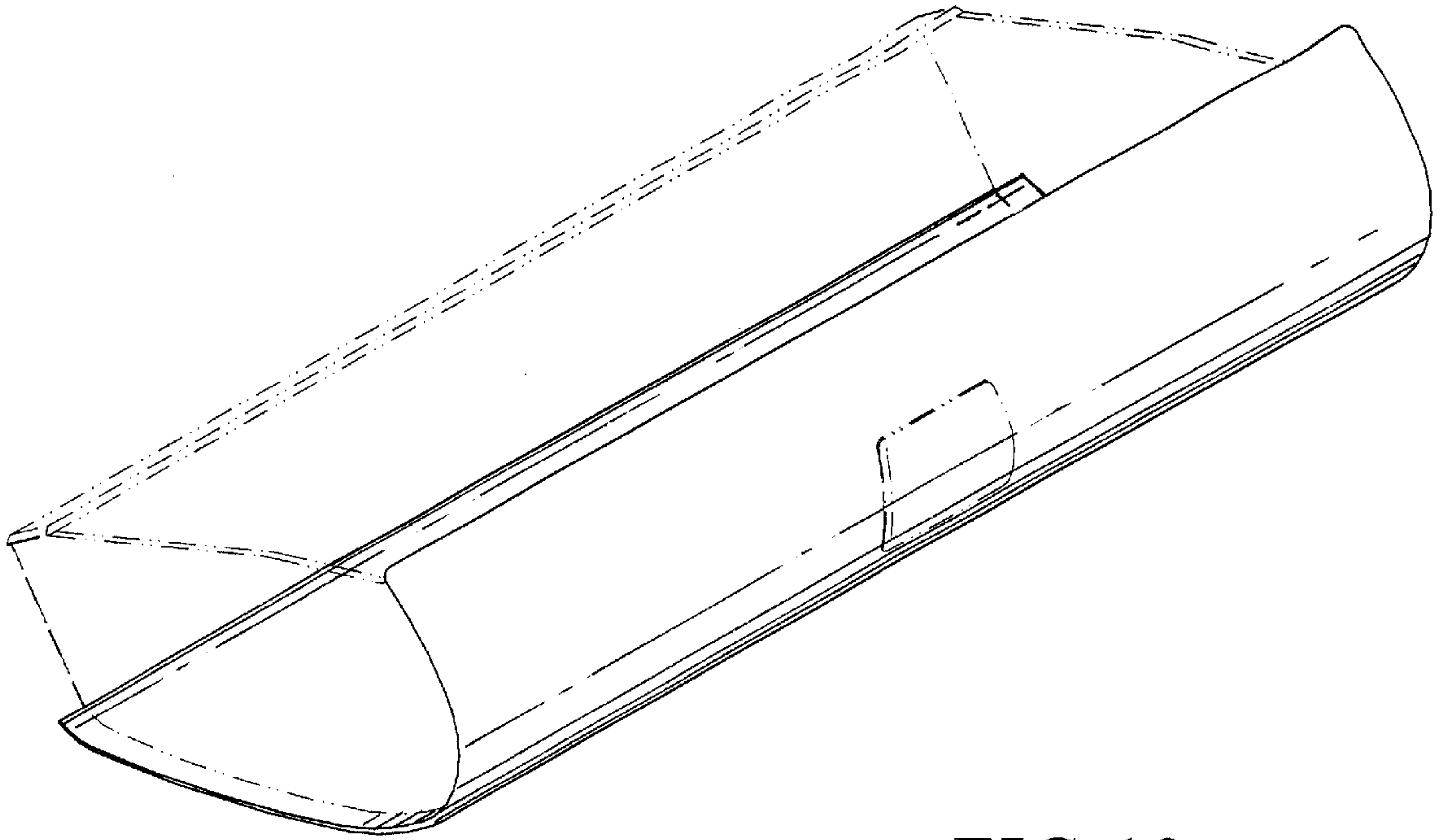


FIG. 13

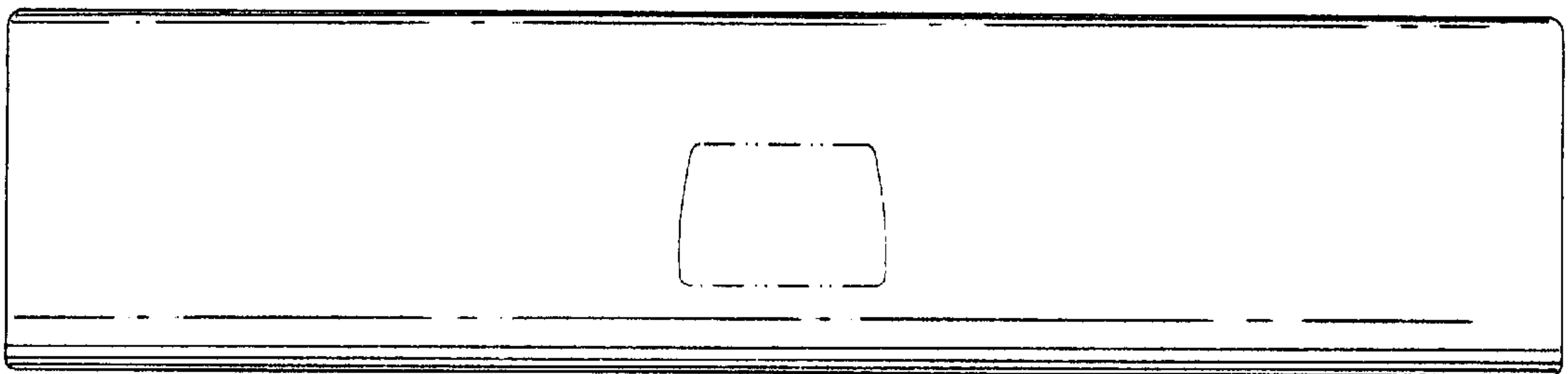


FIG. 14

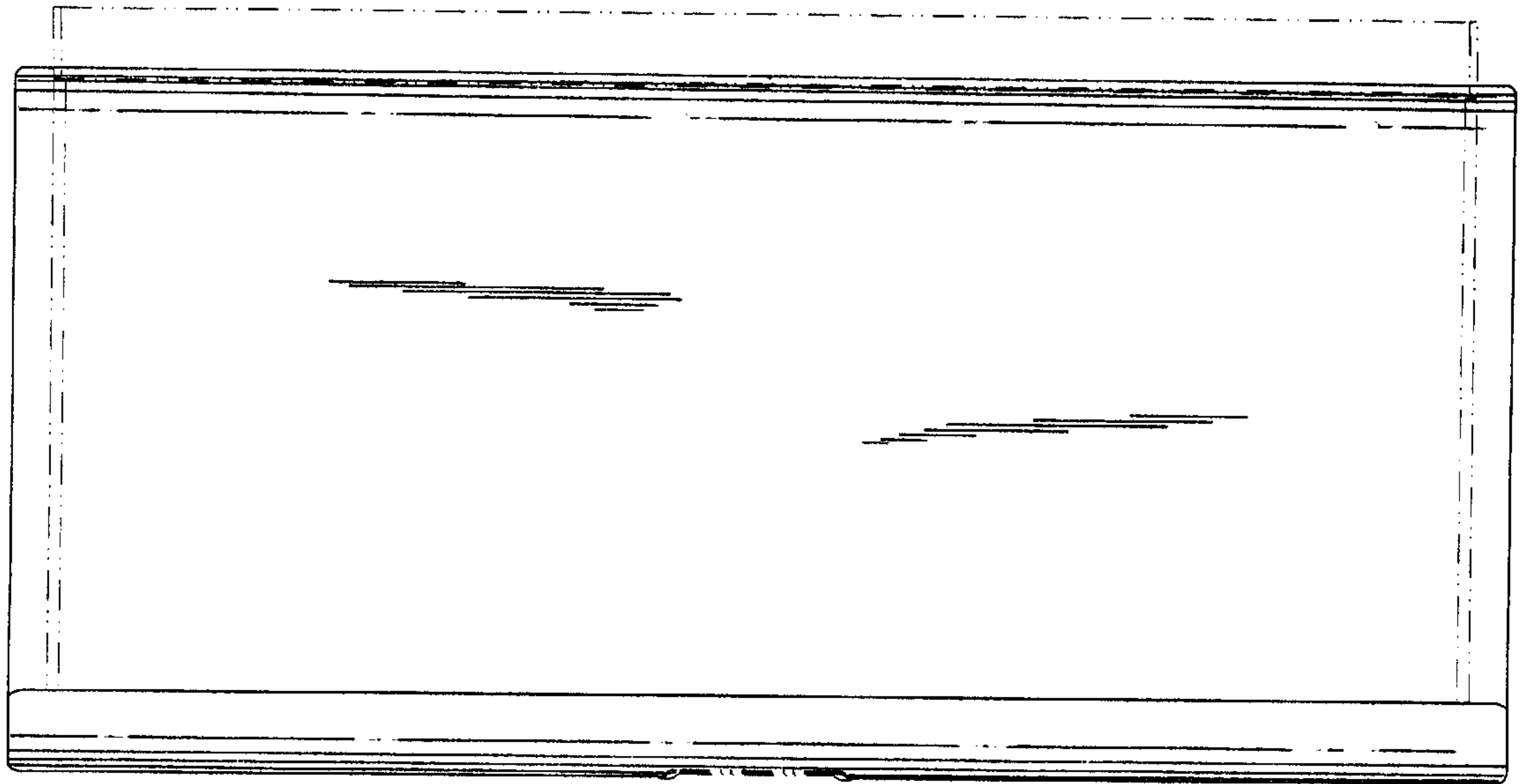


FIG. 15

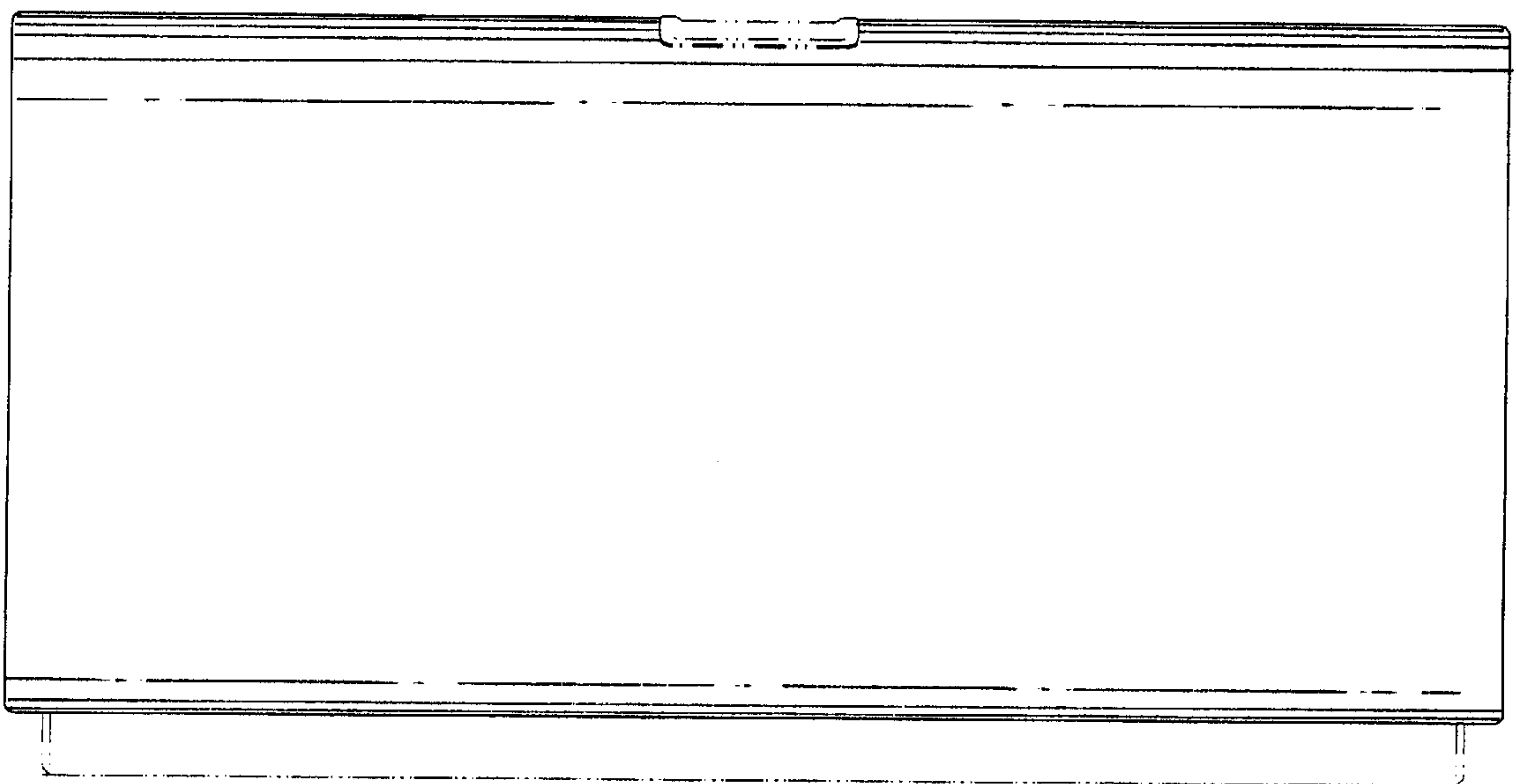


FIG. 16

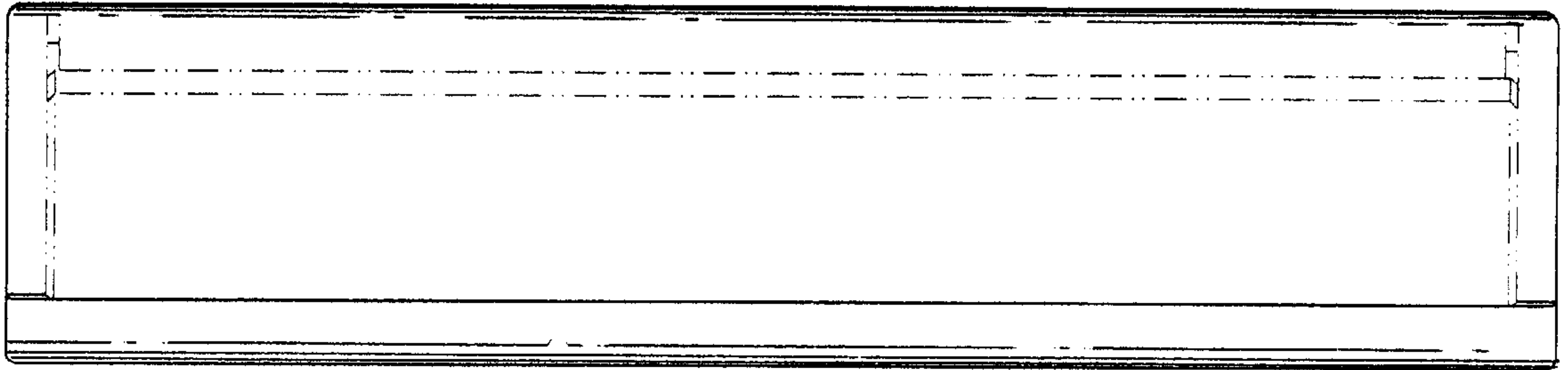


FIG.17



FIG.18