



US00D457477S

(12) **United States Design Patent**
Chung

(10) **Patent No.:** **US D457,477 S**

(45) **Date of Patent:** **** May 21, 2002**

- (54) **AUTOMOTIVE WHEEL**
- (75) **Inventor:** **Suny Chung**, Placentia, CA (US)
- (73) **Assignee:** **DM Tech America INC**, Cerritos, CA (US)
- (**) **Term:** **14 Years**
- (21) **Appl. No.:** **29/133,030**
- (22) **Filed:** **Nov. 20, 2000**
- (51) **LOC (7) Cl.** **12-16**
- (52) **U.S. Cl.** **D12/209**
- (58) **Field of Search** **D12/204-211;**
301/37.1, 64.1, 65

D432,972 S	*	10/2000	Chung	D12/209
D433,375 S	*	11/2000	Fitzgerald	D12/209
D435,006 S	*	12/2000	Brown	D12/209
D436,340 S	*	1/2001	Kaucher	D12/209
D436,567 S	*	1/2001	Takechi	D12/209
D436,907 S	*	1/2001	Ong	D12/209
D438,831 S	*	3/2001	McMath	D12/209
D442,905 S	*	5/2001	Herrera	D12/209
D448,711 S	*	10/2001	Pusdesris	D12/209
D450,026 S	*	11/2001	Donikoglu	D12/209

* cited by examiner

Primary Examiner—Stacia Cadmus

(74) *Attorney, Agent, or Firm*—G. Donald Weber, Jr.

(57) **CLAIM**

The ornamental design for an automotive wheel, as shown and described.

DESCRIPTION

FIG. 1 is an oblique view of the automotive wheel of the instant invention; and,
 FIG. 2 is a side elevation view of the automotive wheel of the instant invention.
 The broken line showing of environment is for illustrative purposes only and forms no part of the claimed design.

- (56) **References Cited**
- U.S. PATENT DOCUMENTS**
- D403,291 S * 12/1998 Cullen D12/211
- D409,967 S * 5/1999 Chung D12/209
- D413,852 S * 9/1999 Cullen D12/209
- D416,845 S * 11/1999 Frueh D12/209
- D416,846 S * 11/1999 Melegari et al. D12/209
- D419,513 S * 1/2000 Hartanto D12/209
- D419,941 S * 2/2000 Chung D12/209
- D431,517 S * 10/2000 Donikoglu D12/209
- D432,069 S * 10/2000 Chung D12/209

1 Claim, 1 Drawing Sheet

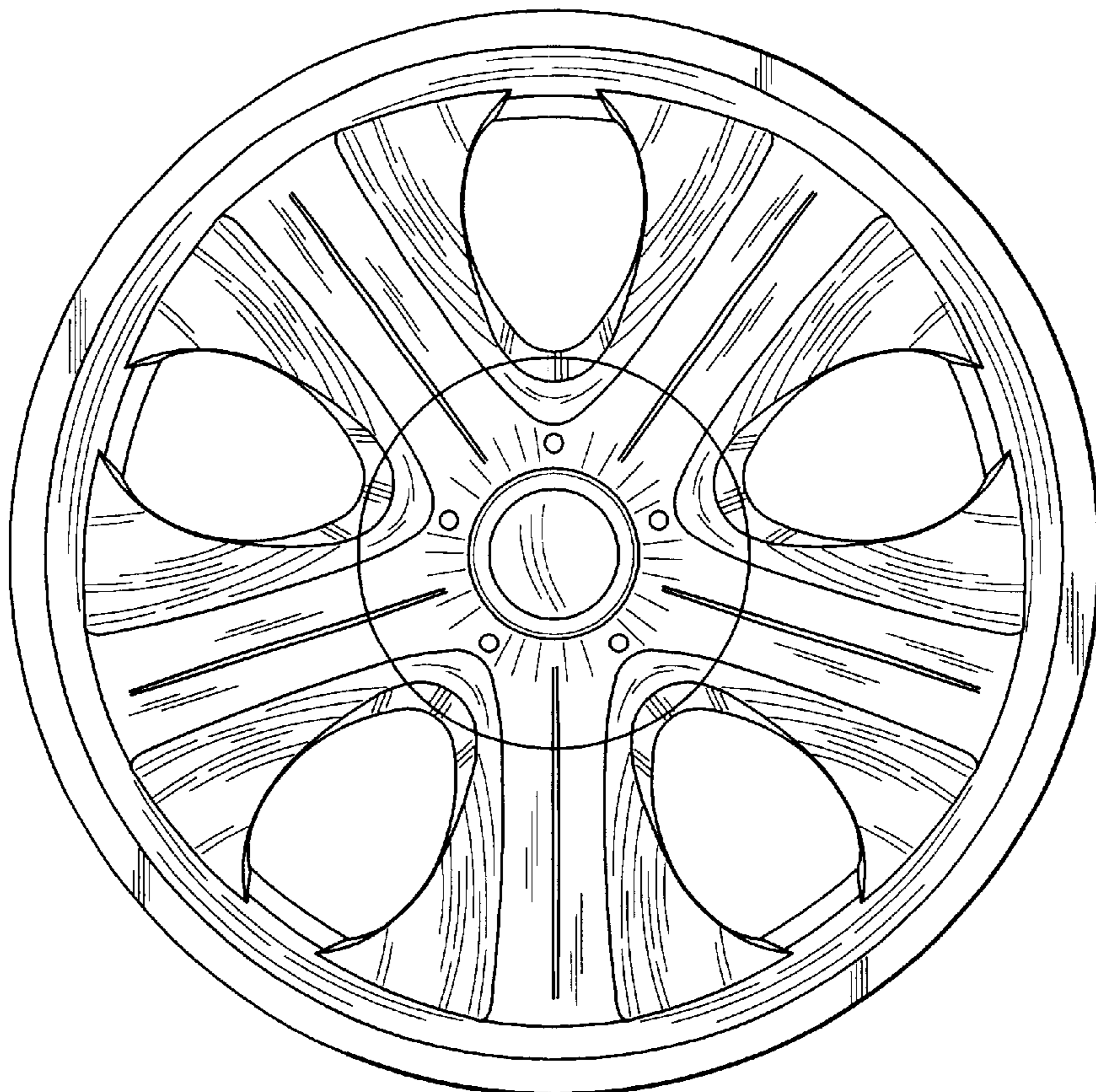


Fig-1

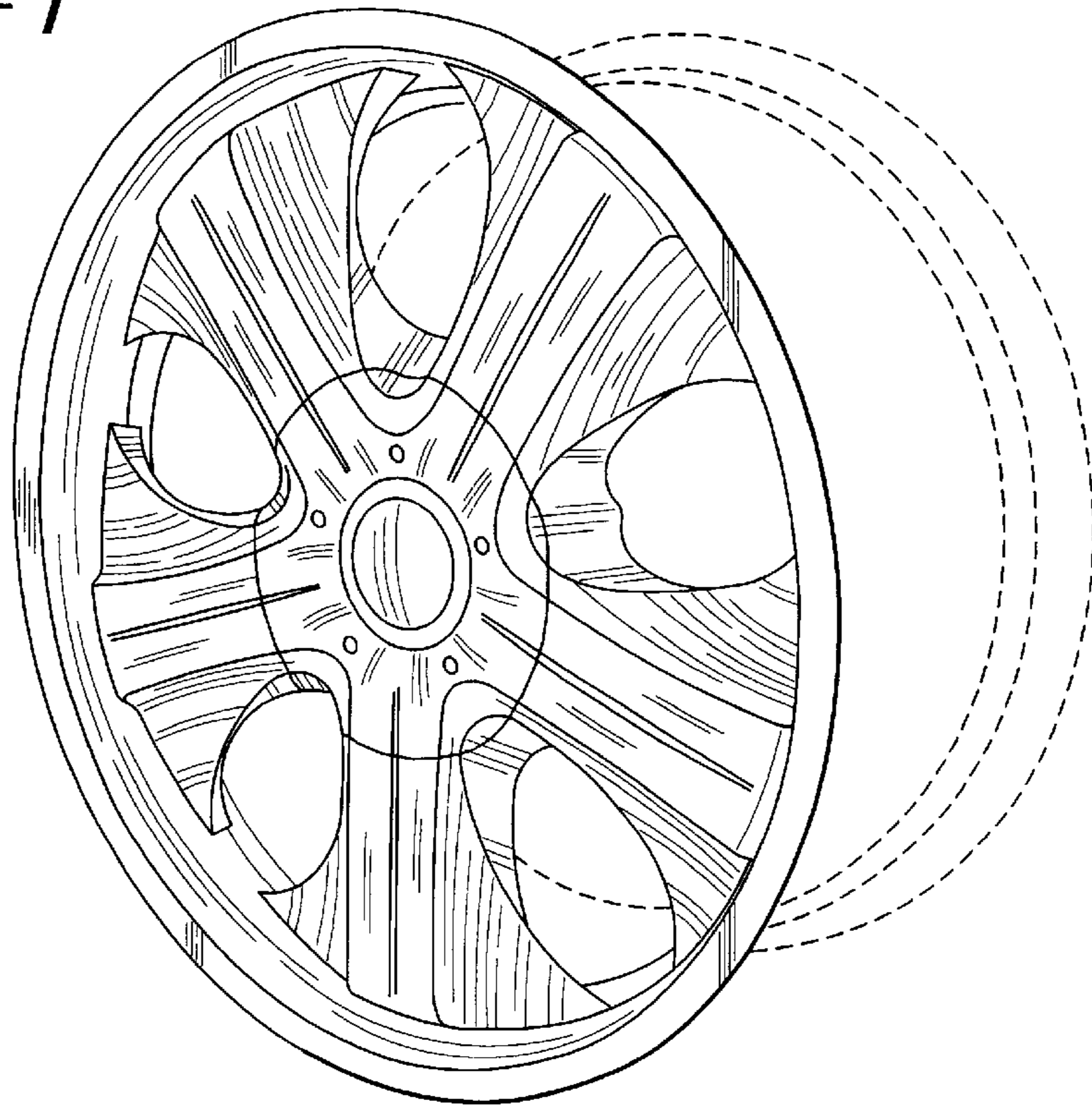


Fig-2

