



US00D457474S

(12) **United States Design Patent**
Shirey

(10) **Patent No.:** **US D457,474 S**

(45) **Date of Patent:** **** May 21, 2002**

(54) **BICYCLE BAR END**

(76) Inventor: **Jeffrey H. Shirey**, 1365 Timothy Rd.,
Athens, GA (US) 30606

(**) Term: **14 Years**

(21) Appl. No.: **29/146,282**

(22) Filed: **Aug. 7, 2001**

Related U.S. Application Data

(62) Division of application No. 29/133,930, filed on Dec. 11,
2000, now Pat. No. Des. 449,260.

(51) **LOC (7) Cl.** **12-16**

(52) **U.S. Cl.** **D12/178**

(58) **Field of Search** D12/111, 114,
D12/178, 174, 179; 74/551.1-551.9; 280/279,
288.2-288.4; D8/107, 300, 303

(56) **References Cited**

U.S. PATENT DOCUMENTS

D366,015 S * 1/1996 McCormack D12/114
D434,356 S * 11/2000 Giard D12/178

* cited by examiner

Primary Examiner—Alan P. Douglas

Assistant Examiner—Linda Brooks

(74) *Attorney, Agent, or Firm*—Alston & Bird LLP

(57) **CLAIM**

The ornamental design for a bicycle bar end, as shown and described.

DESCRIPTION

FIG. 1 is a side perspective view of a bicycle bar end showing my new design, the bicycle handlebar being shown in broken lines for illustrative purposes only and forming no part of the claimed design;

FIG. 2 is a side perspective view of a bicycle bar end according to the present design;

FIG. 3 is a left side elevation view of the bicycle bar end of FIG. 2;

FIG. 4 is a bottom plan view of the bicycle bar end of FIG. 2;

FIG. 5 is a front elevation view of the bicycle bar end of FIG. 2;

FIG. 6 is a top plan view of the bicycle bar end of FIG. 2;

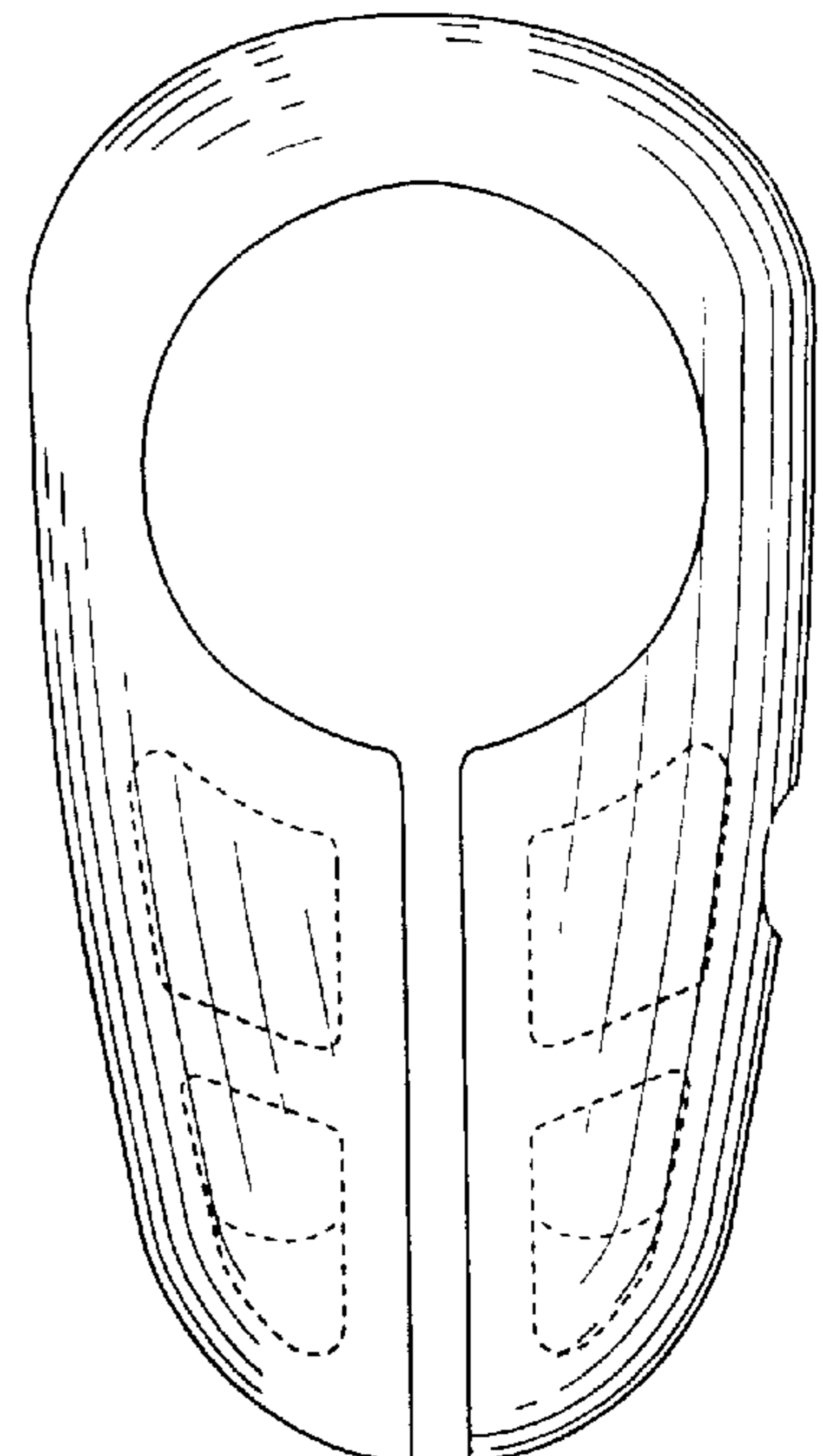
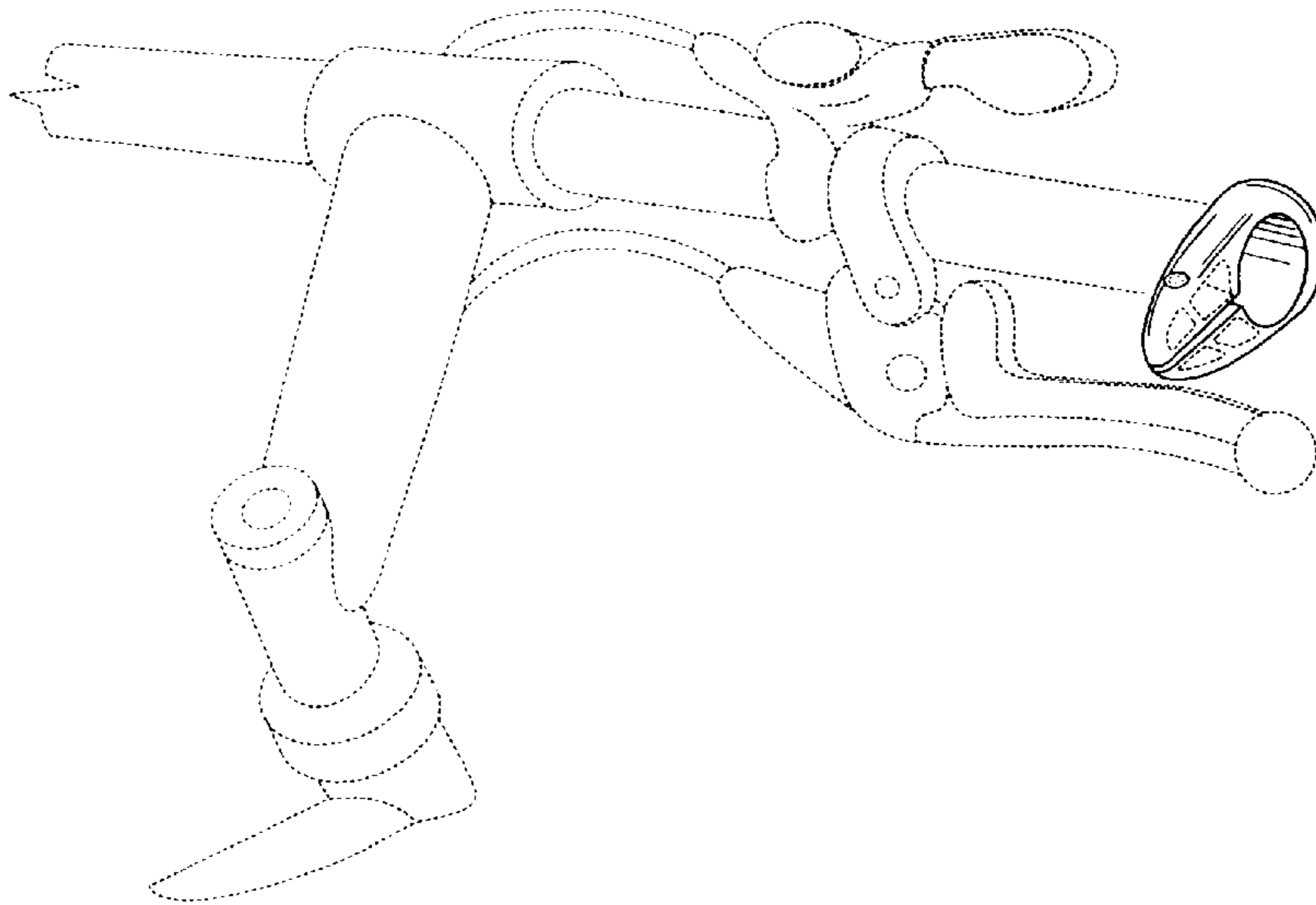
FIG. 7 is a right side elevation view of the bicycle bar end of FIG. 2; and,

FIG. 8 is a rear elevation view of the bicycle bar end of FIG. 2.

The broken lines shown herein are for illustrative purposes only and form no part of the claimed design.

FIG. 2 is shown on an enlarged scale with respect to the other views.

1 Claim, 4 Drawing Sheets



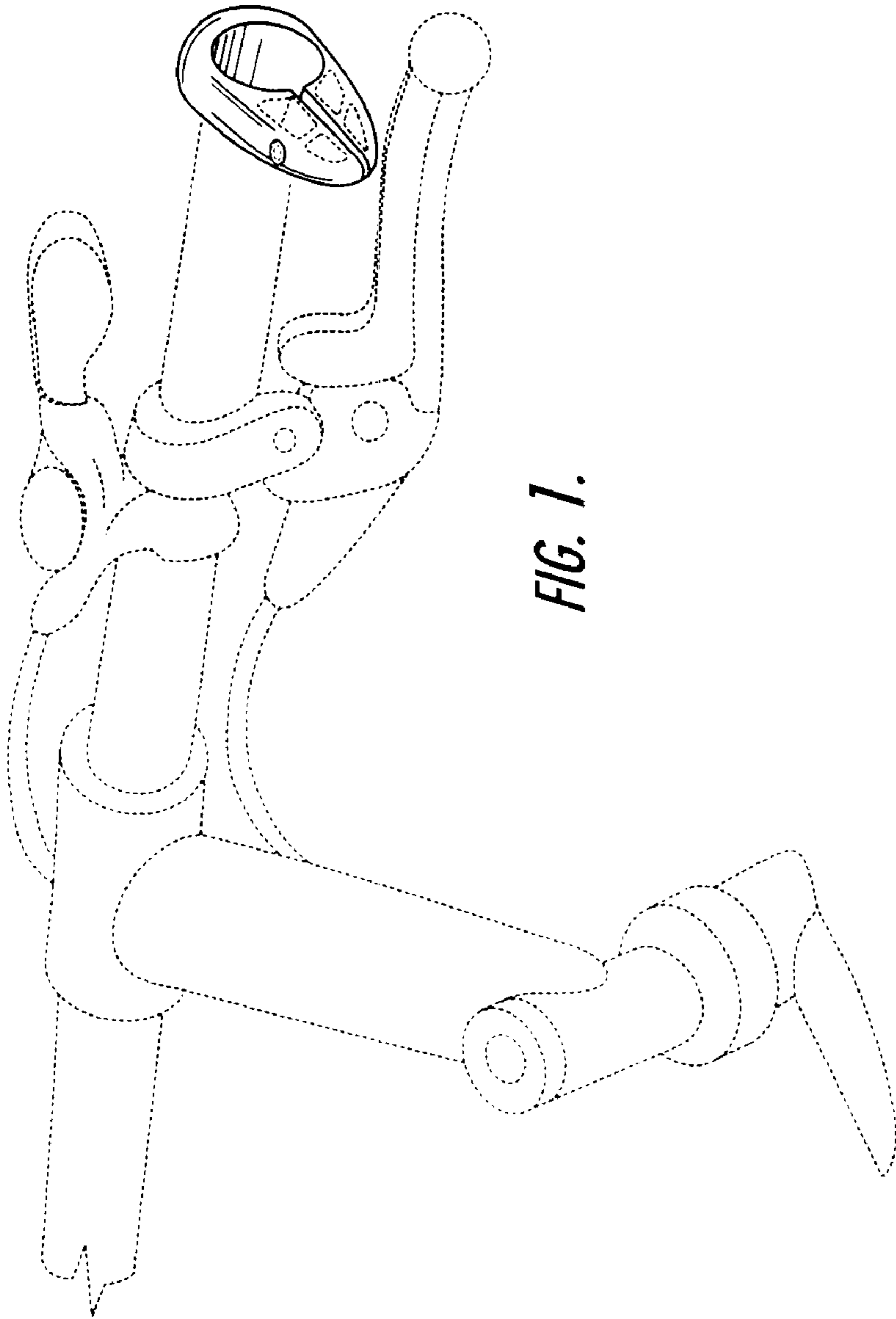


FIG. 1.

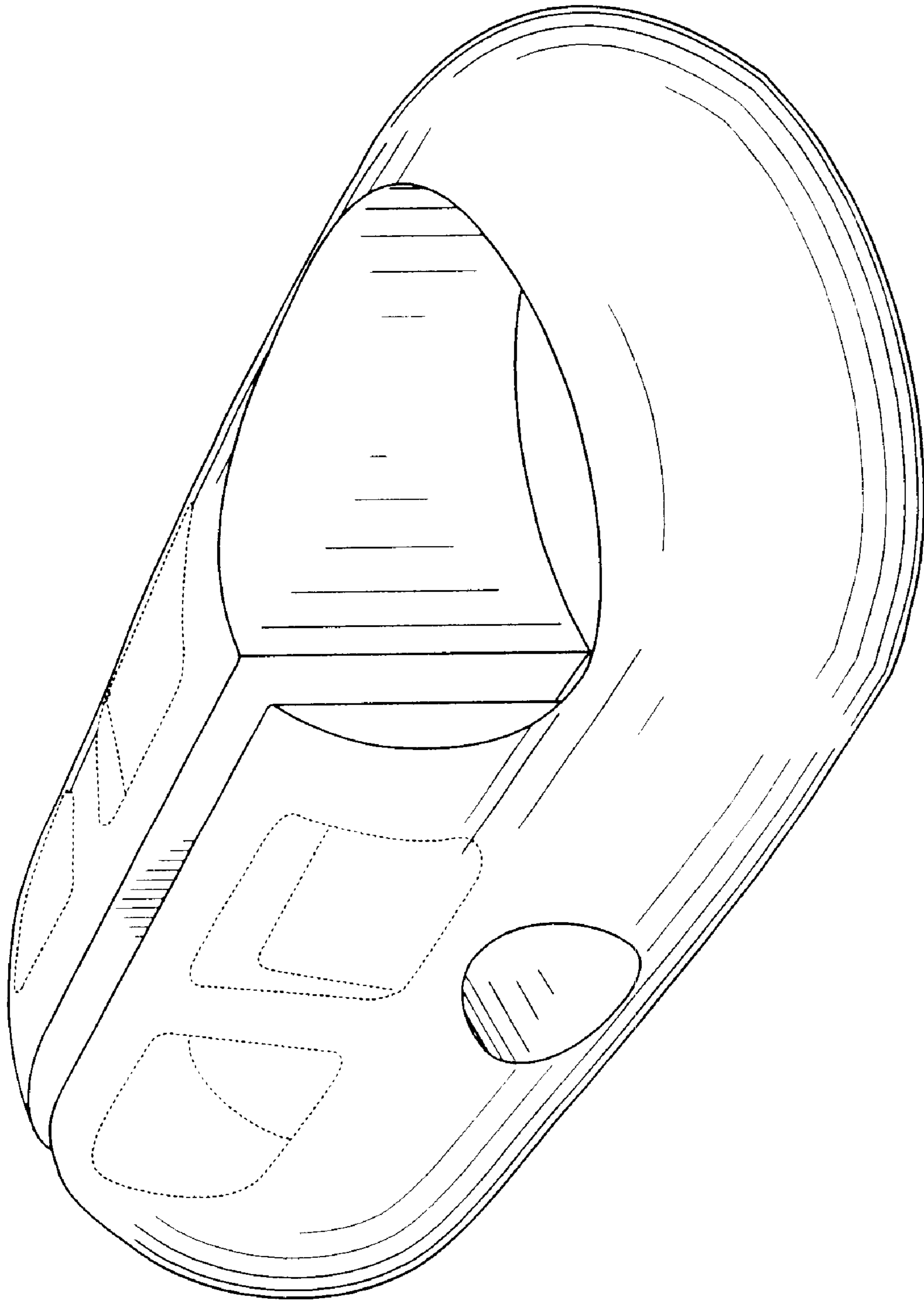


FIG. 2.

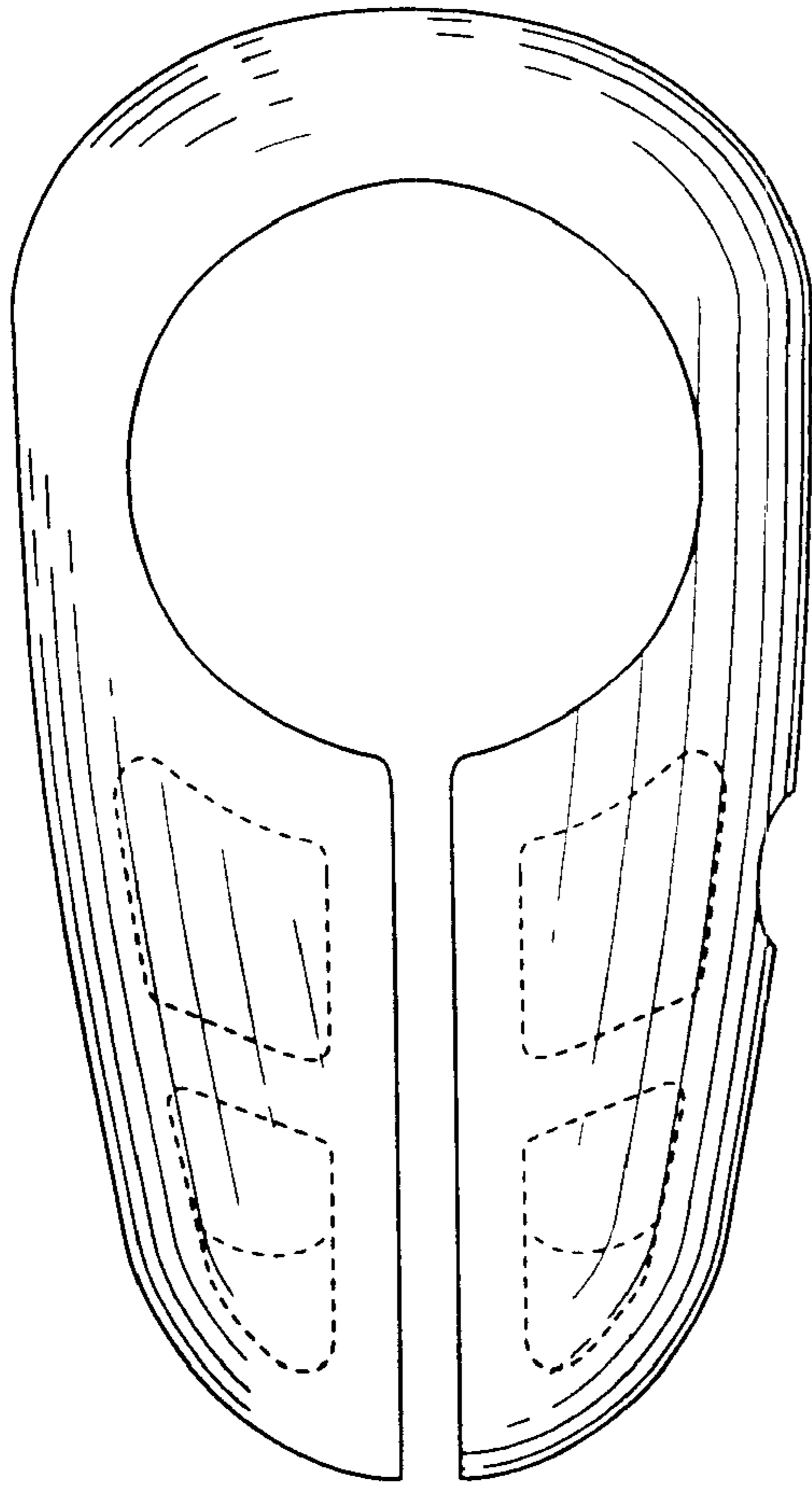


FIG. 3.

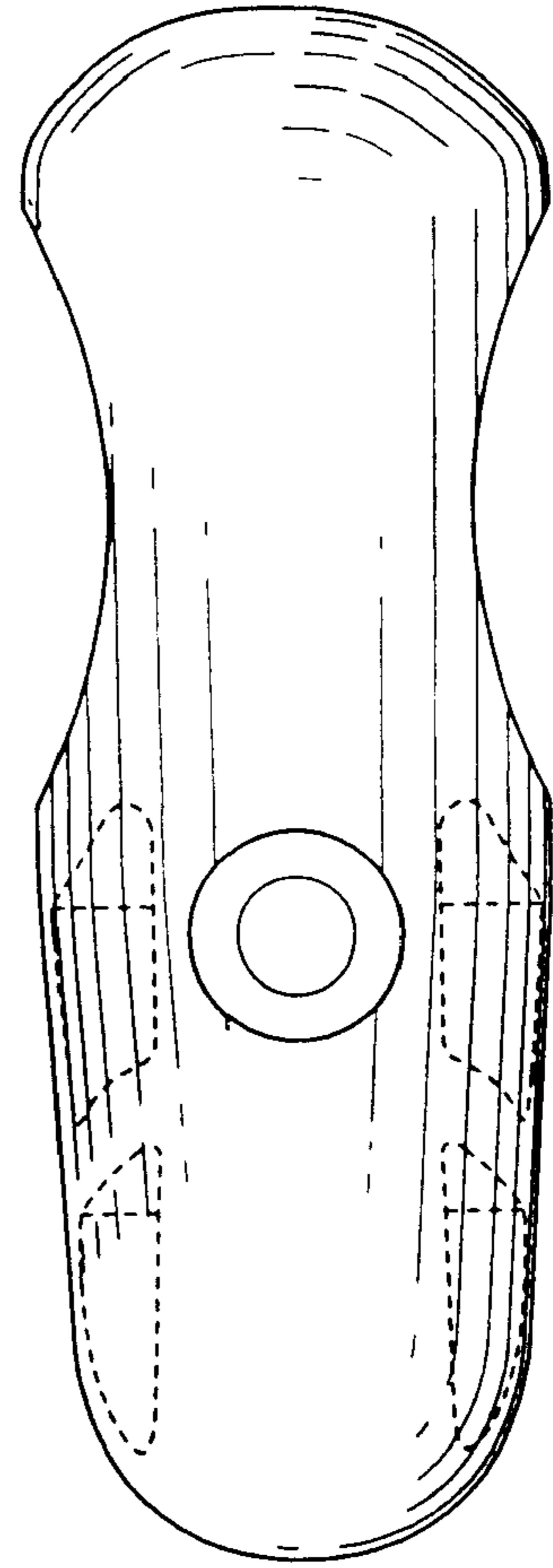


FIG. 4.

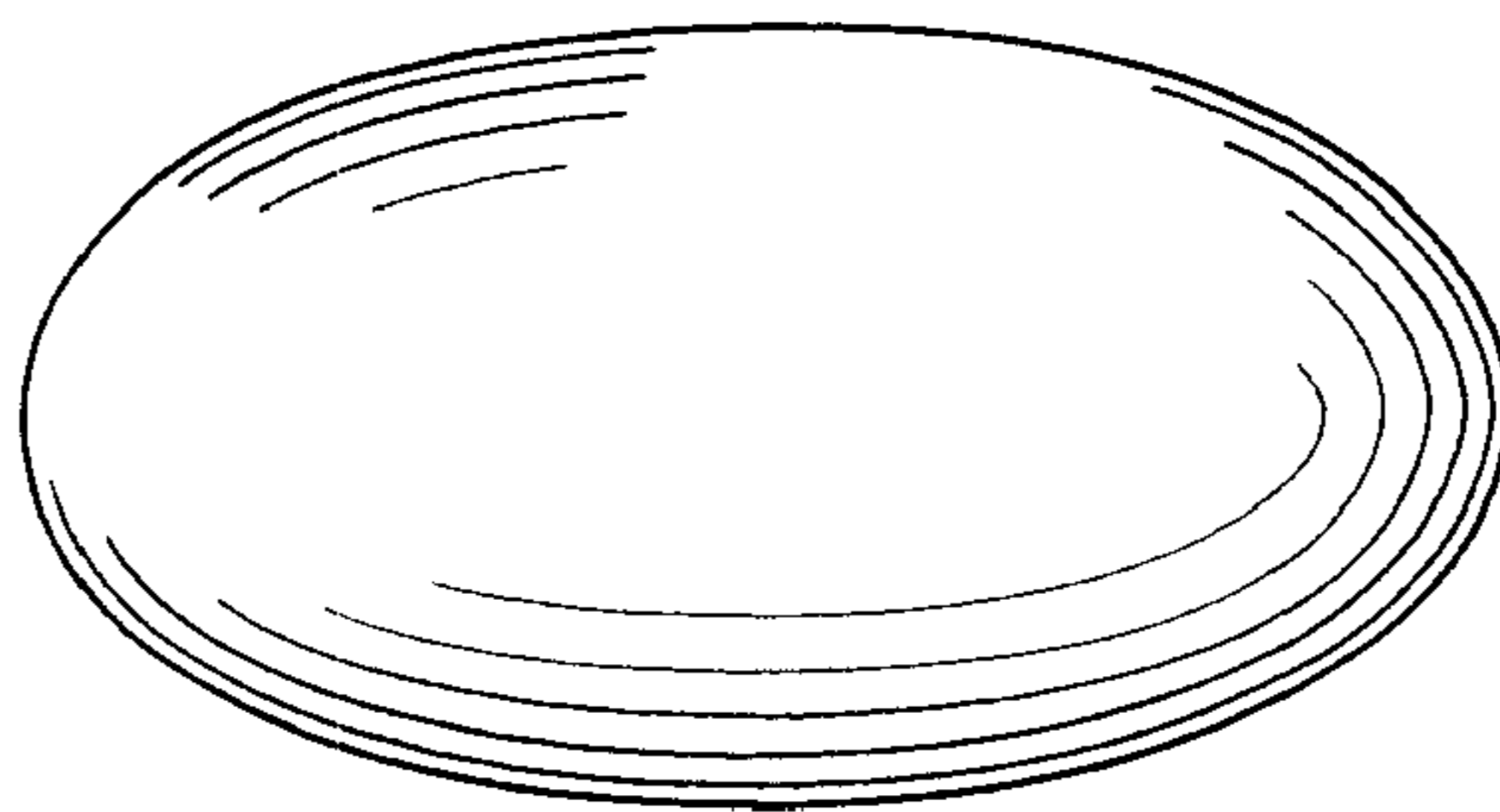


FIG. 5.

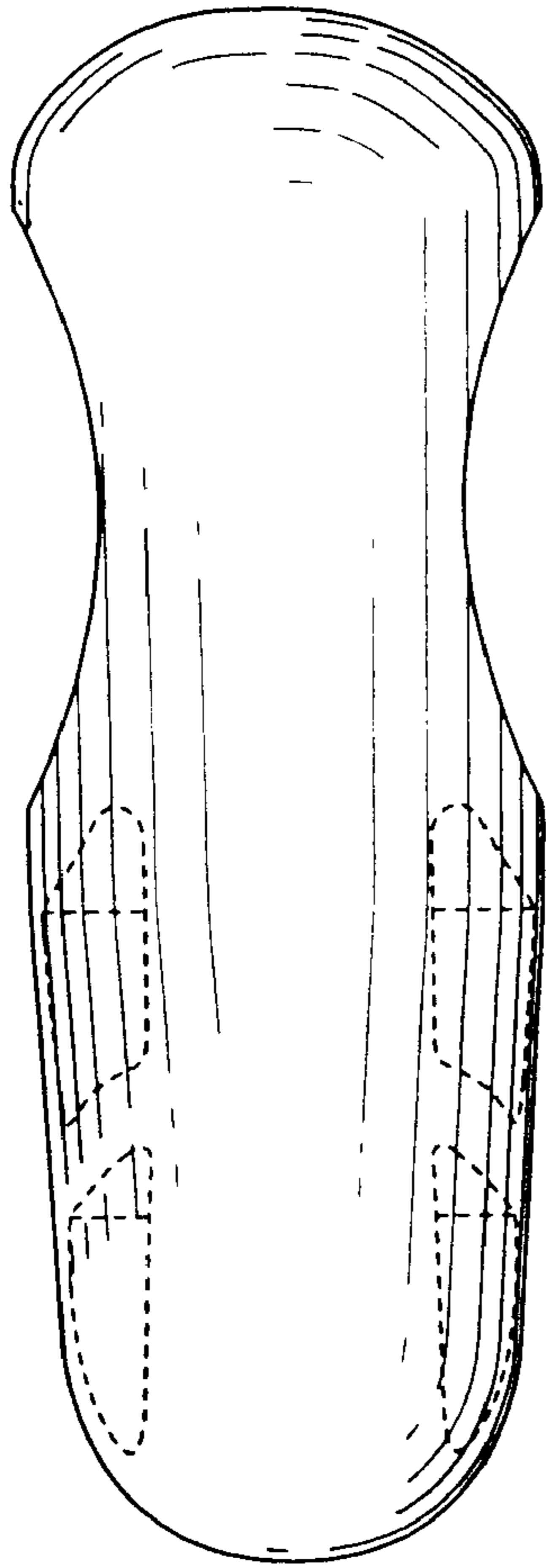


FIG. 6.

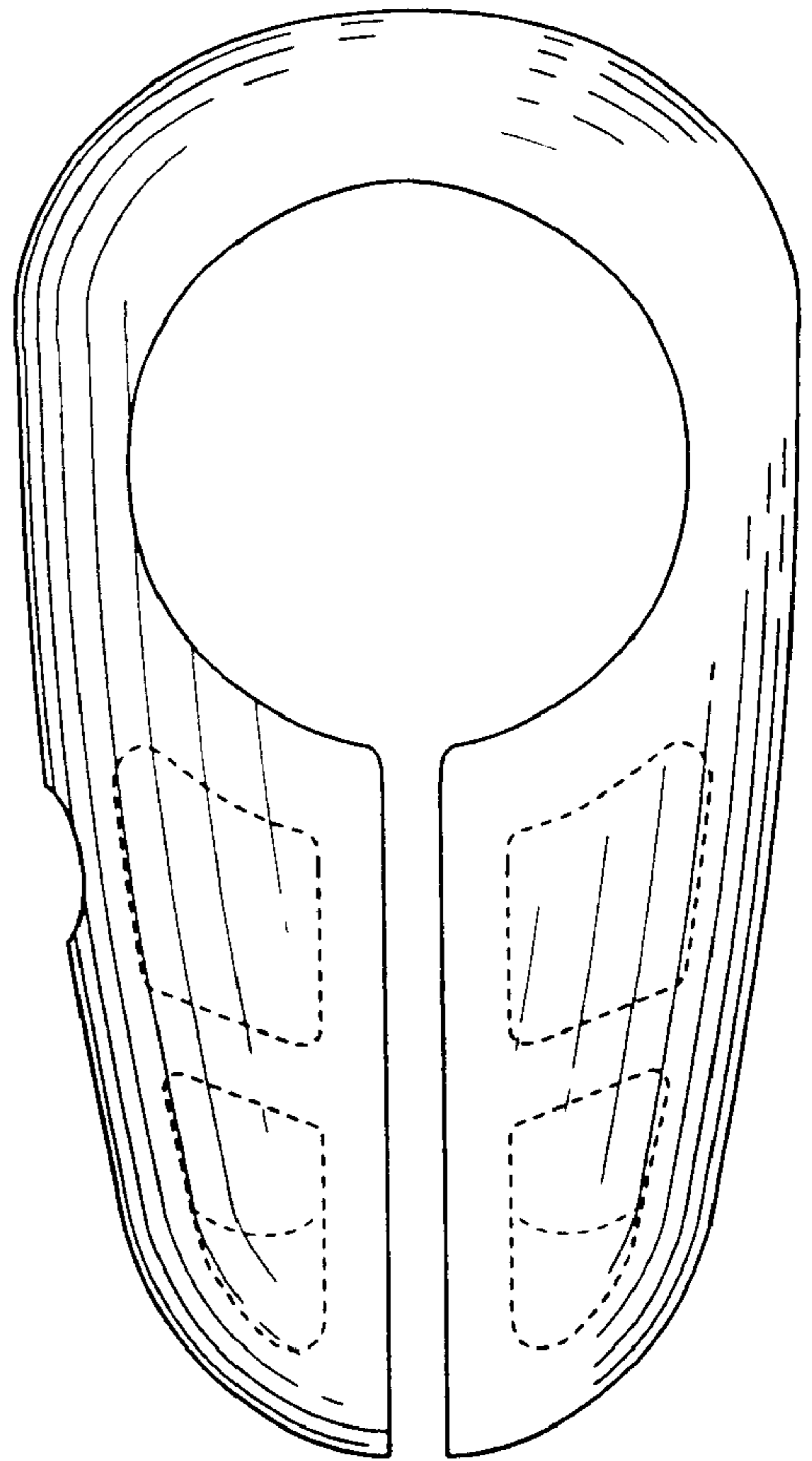


FIG. 7.

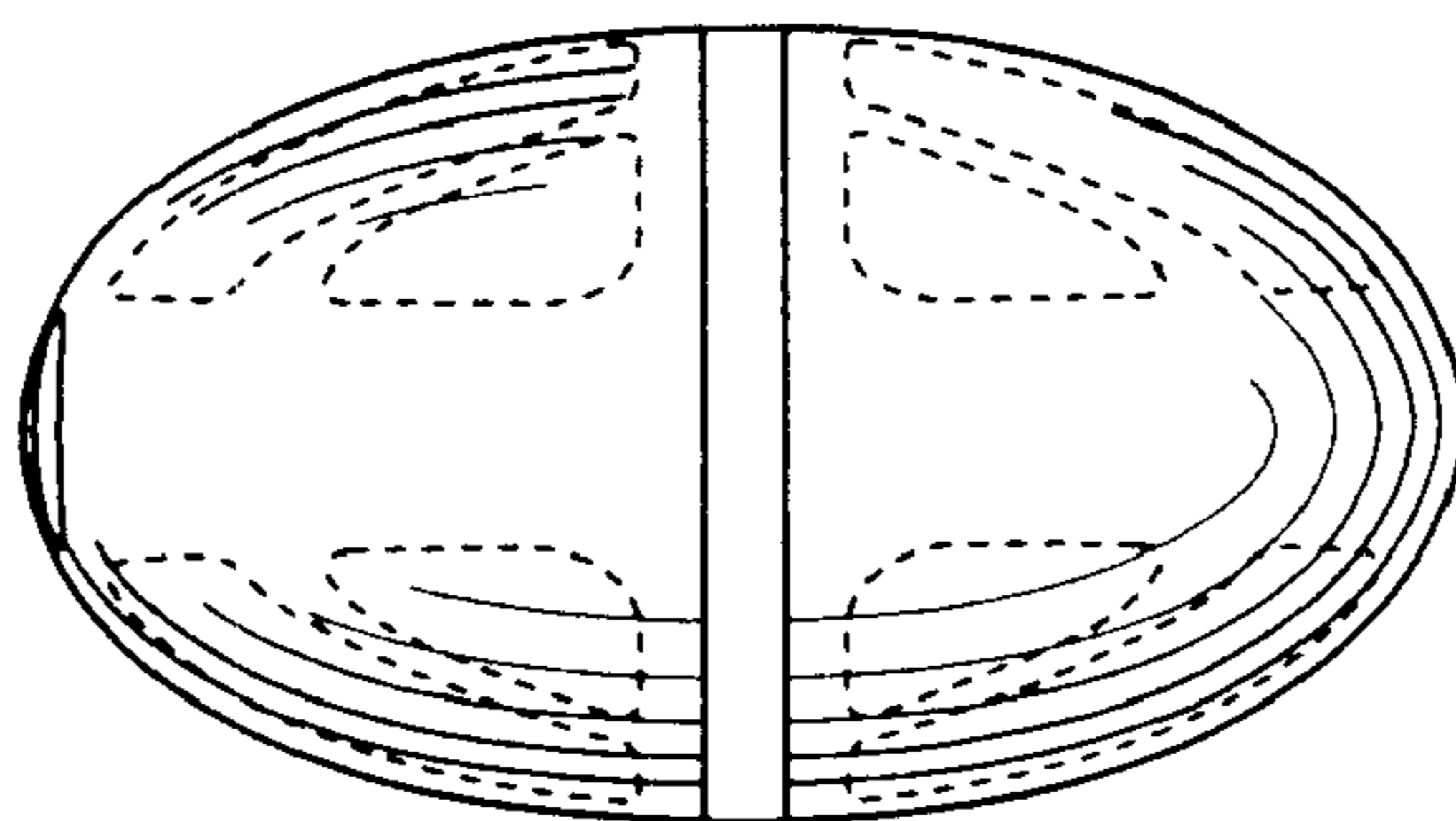


FIG. 8.

UNITED STATES PATENT AND TRADEMARK OFFICE
CERTIFICATE OF CORRECTION

PATENT NO. : Des. 457,474 S
DATED : May 21, 2002
INVENTOR(S) : Shirey

Page 1 of 5

It is certified that error appears in the above-identified patent and that said Letters Patent is hereby corrected as shown below:


Drawings,

Sheets 1-4 should be deleted to be substituted with the attached sheets 1-4, as shown on the attached pages.

Signed and Sealed this

Twenty-second Day of October, 2002

Attest:

A handwritten signature in black ink, appearing to read "James E. Rogan", with a horizontal line drawn underneath it.

Attesting Officer

JAMES E. ROGAN
Director of the United States Patent and Trademark Office

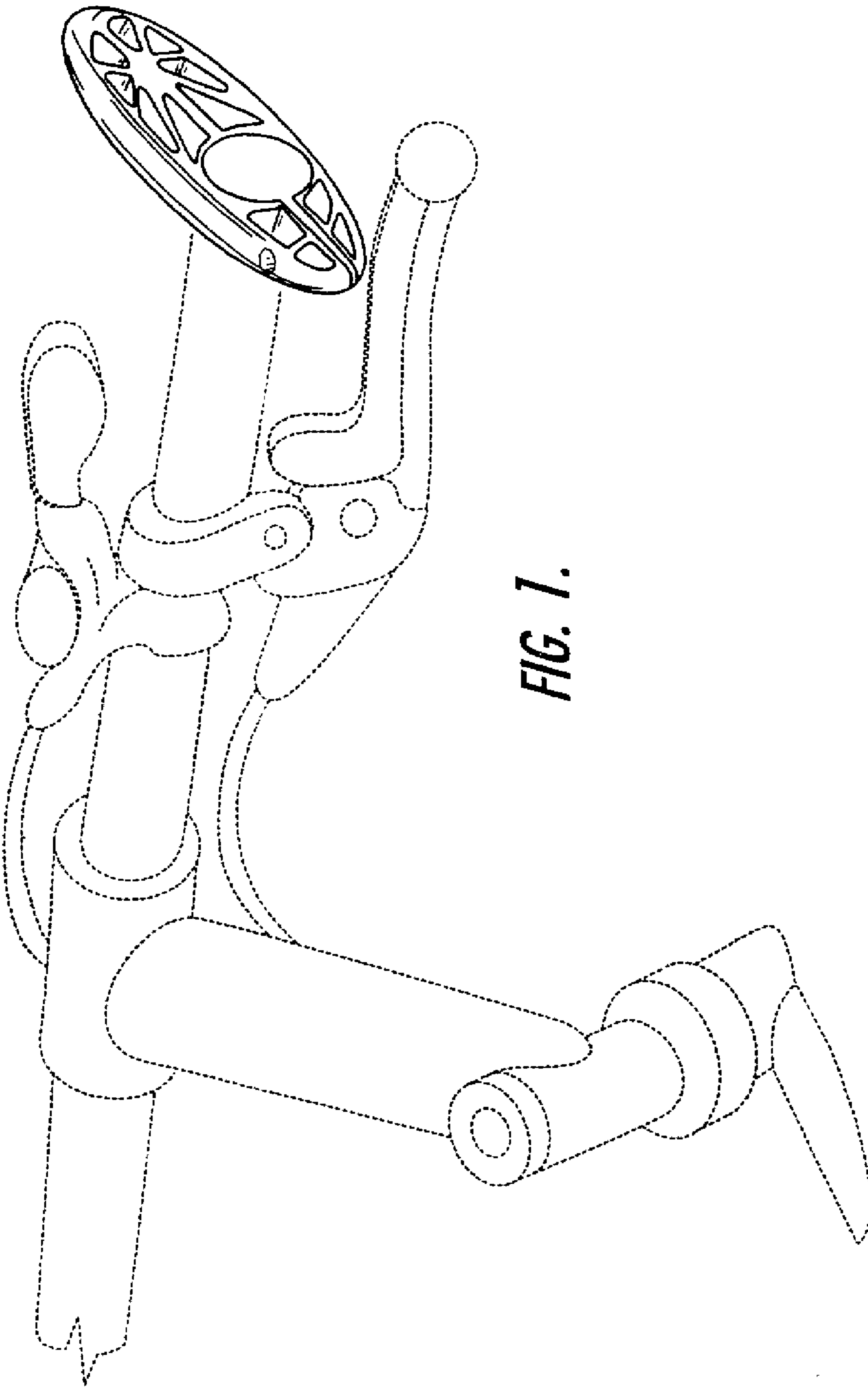


FIG. 1.

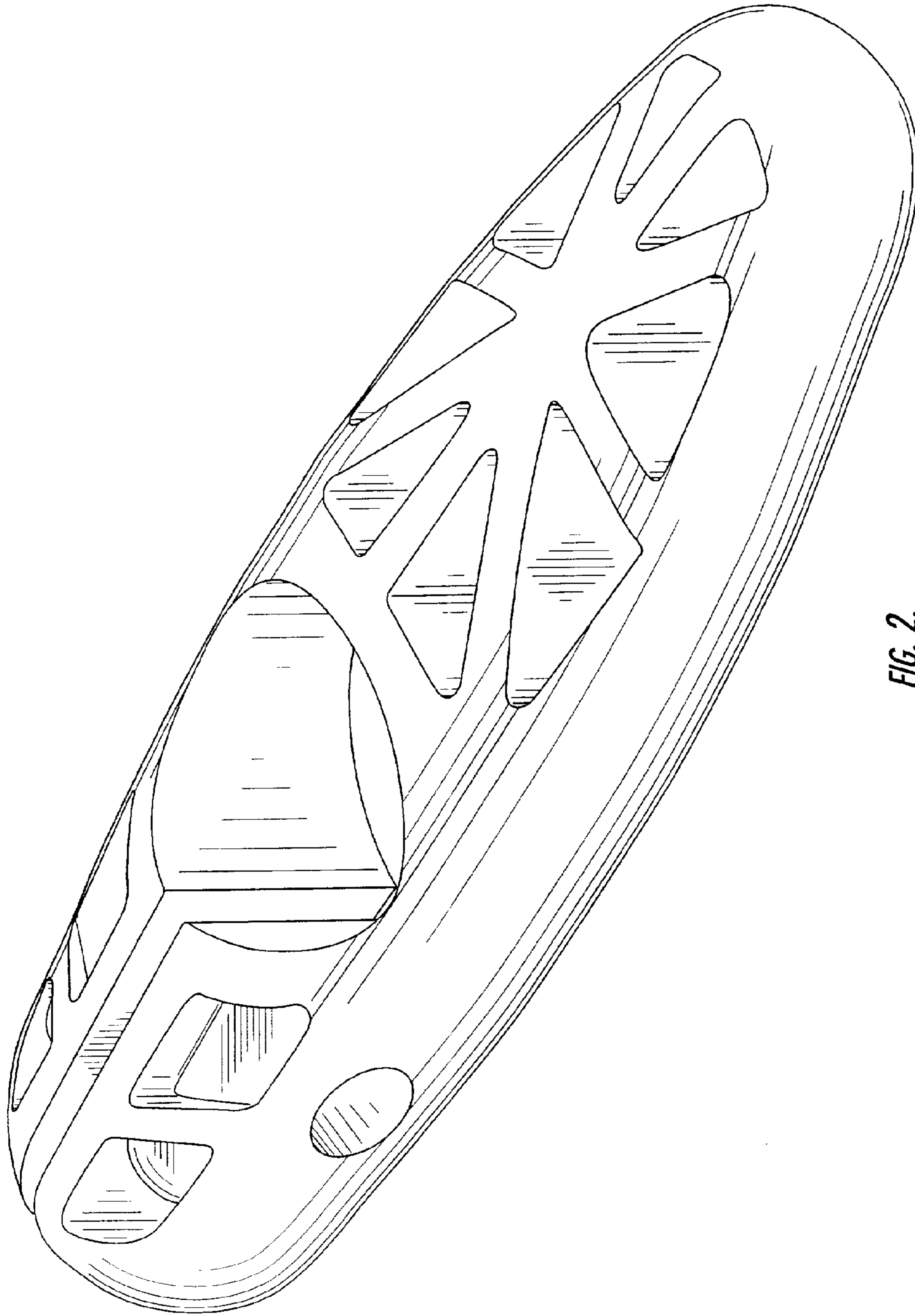


FIG. 2.

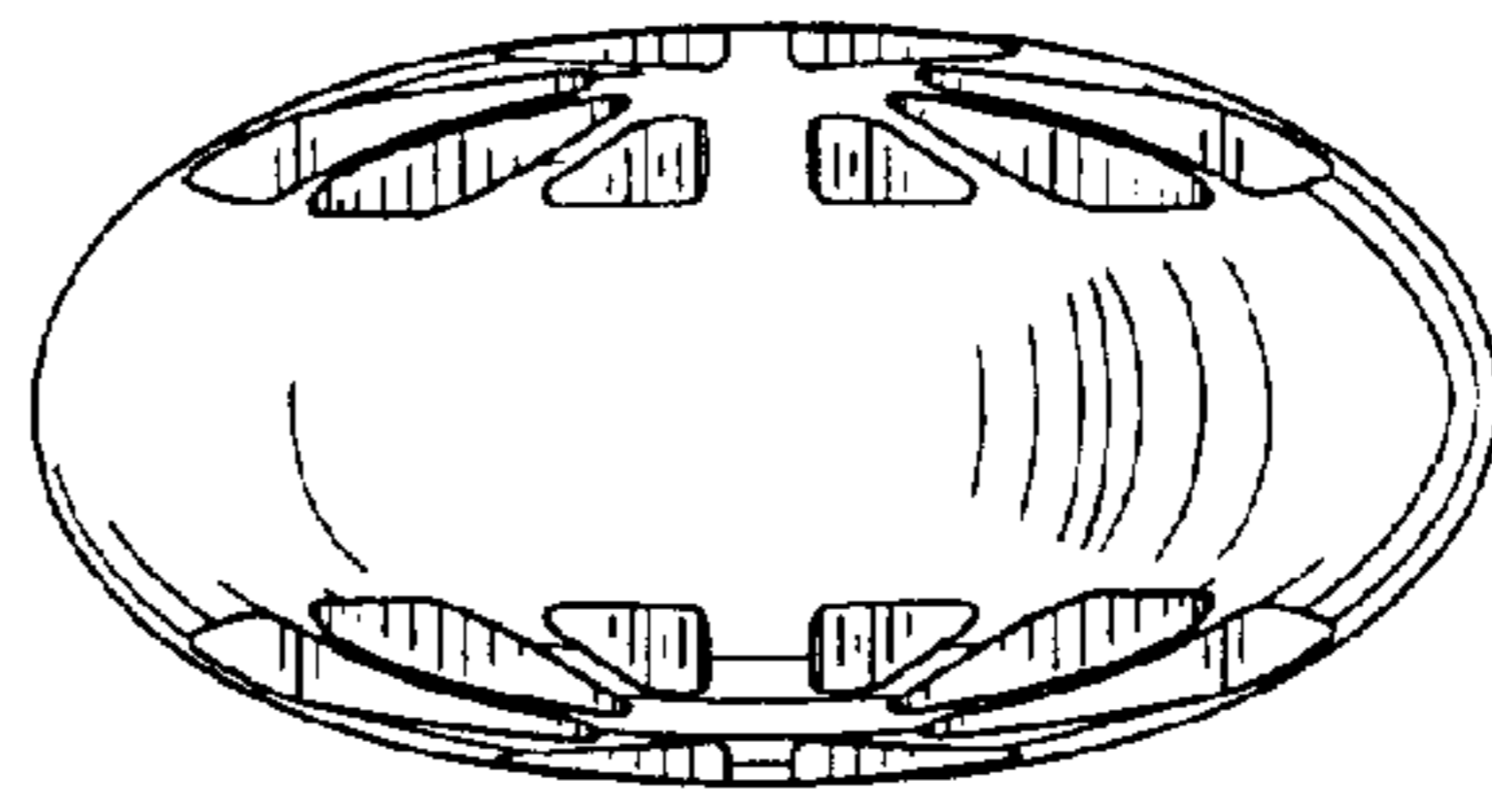


FIG. 5.

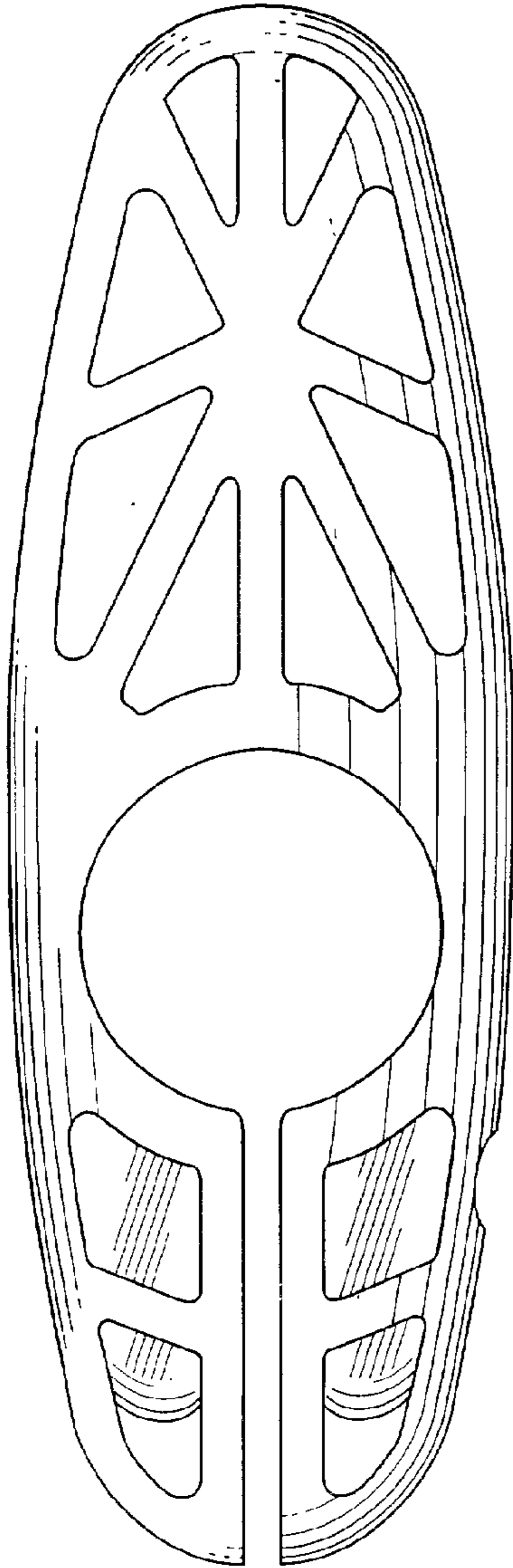


FIG. 3.

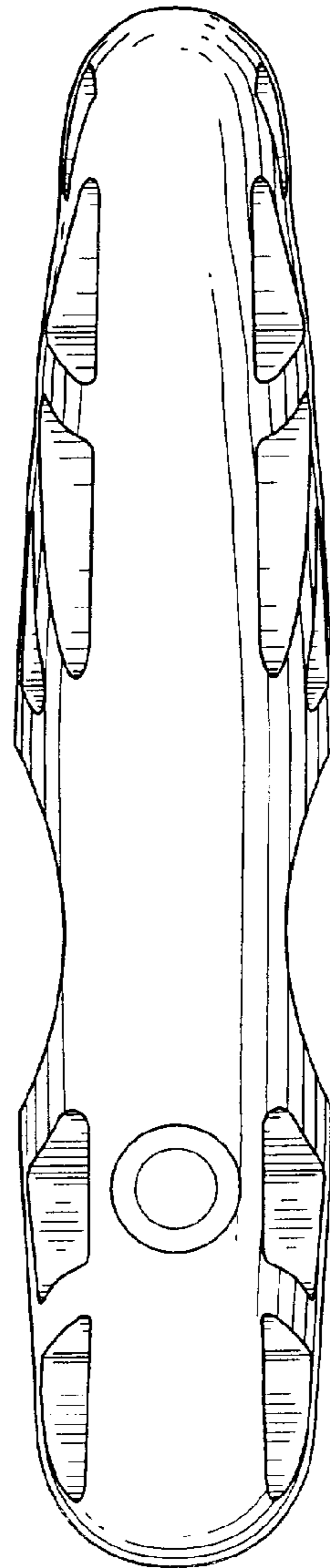


FIG. 4.

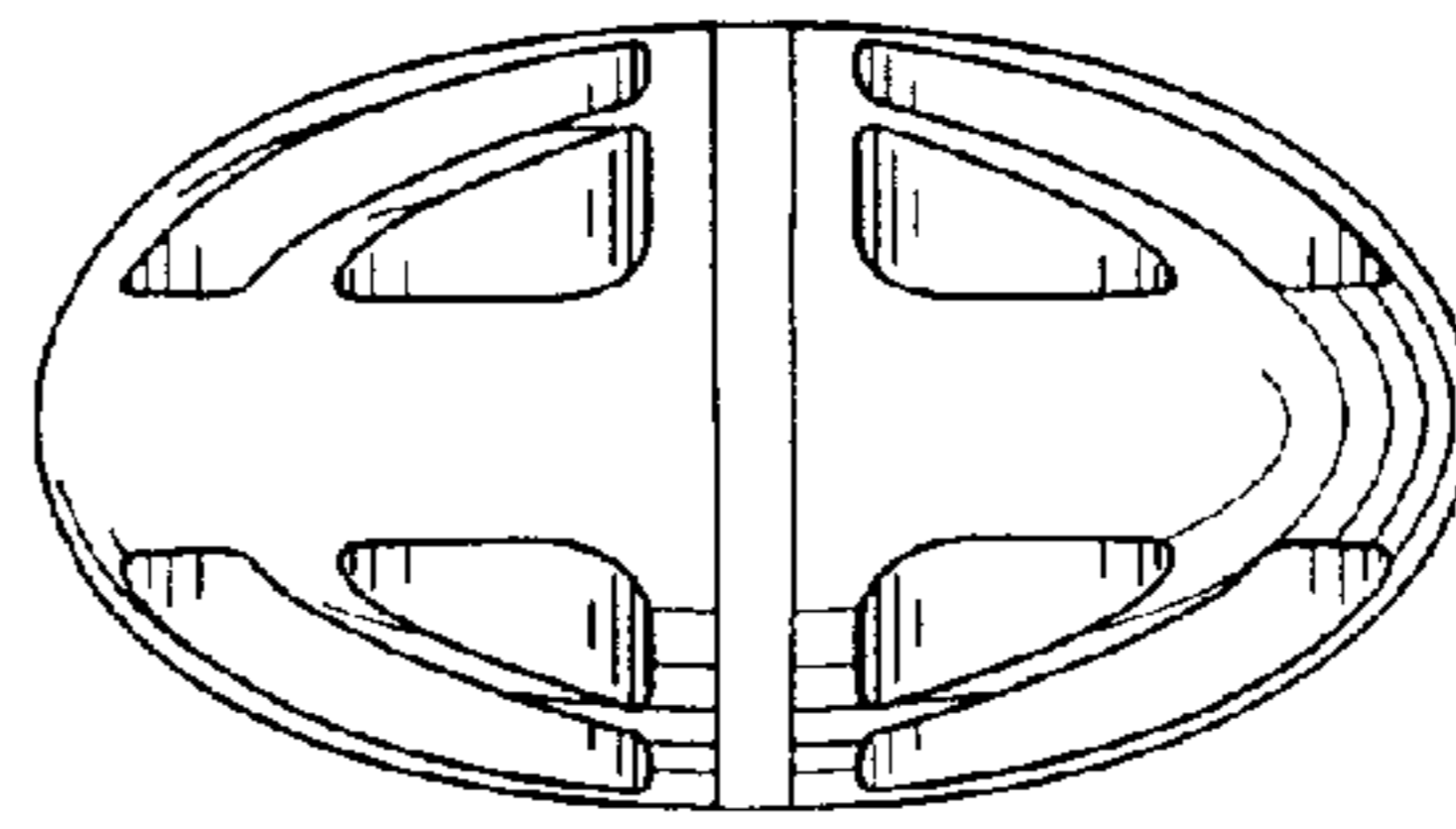


FIG. 8.

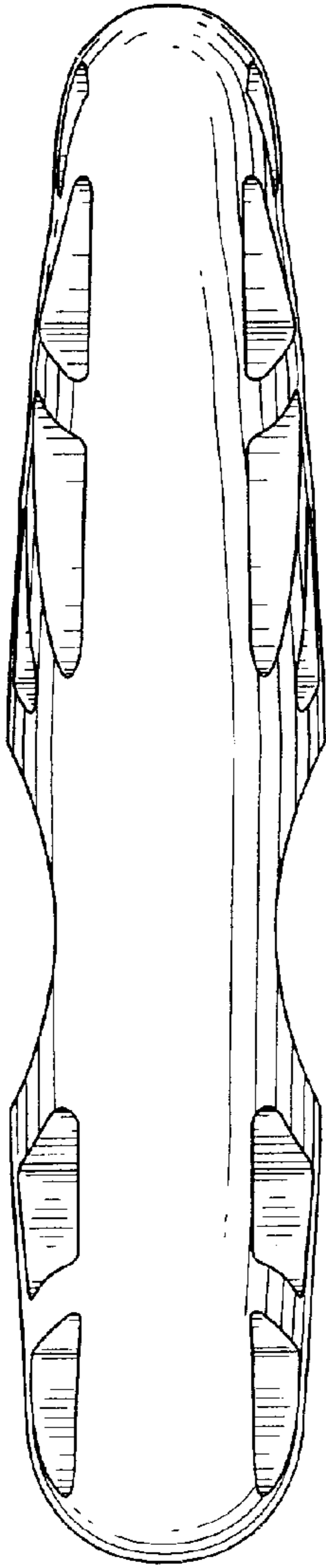


FIG. 6.

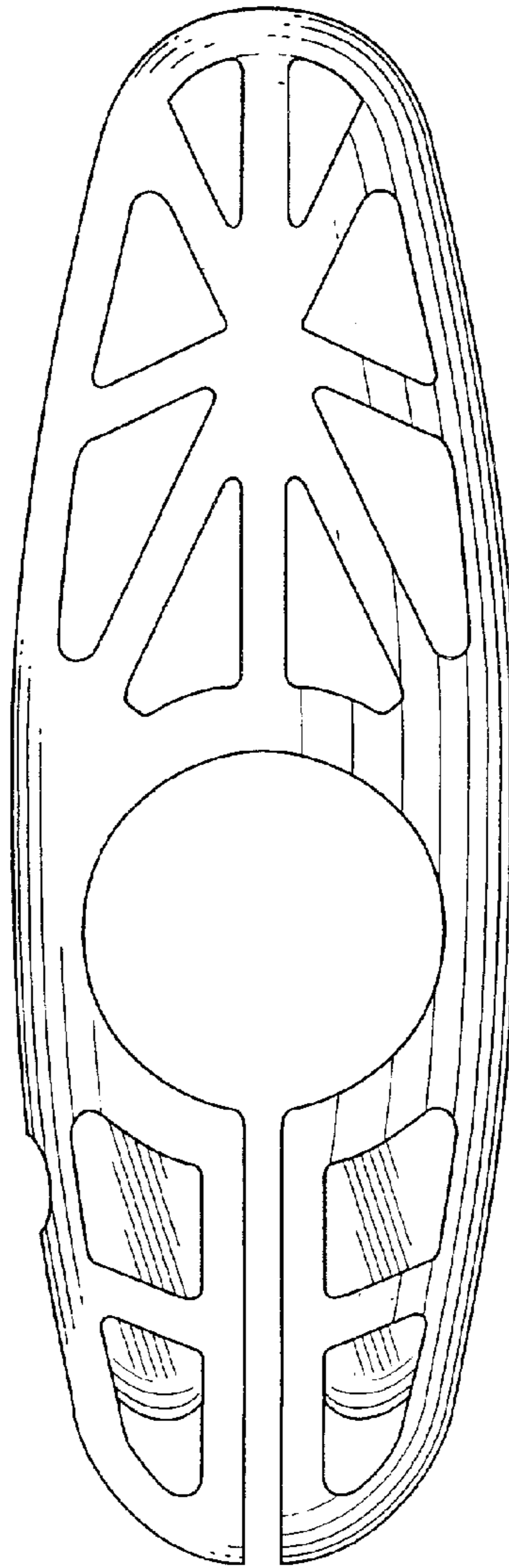


FIG. 7.