



US00D457472S

(12) **United States Design Patent**
Burden

(10) **Patent No.:** **US D457,472 S**

(45) **Date of Patent:** **** May 21, 2002**

(54) **SPORTS BALL STEERING WHEEL COVER**

(75) **Inventor:** **Kimpton Wylie Burden**, Hilton Head Island, SC (US)

(73) **Assignee:** **Play Ball, LLC**, Hilton Head Island, SC (US)

(**) **Term:** **14 Years**

(21) **Appl. No.:** **29/133,436**

(22) **Filed:** **Nov. 30, 2000**

(51) **LOC (7) Cl.** **12-16**

(52) **U.S. Cl.** **D12/177**

(58) **Field of Search** **D12/175-177;**
74/552, 558, 558.5

(56) **References Cited**

U.S. PATENT DOCUMENTS

2,227,579	A	1/1941	Harley	
3,312,124	A	4/1967	Meier et al.	
4,782,872	A	11/1988	Moschini	
5,042,318	A	8/1991	Franz	
5,085,098	A	2/1992	Buckley	
5,251,506	A	10/1993	Itagaki	
5,327,799	A	7/1994	Lin	
D415,459	S	* 10/1999	Itshakov D12/177

D430,086	S	*	8/2000	Huang	D12/177
D430,838	S	*	9/2000	Chelaru	D12/177
D437,272	S	*	2/2001	Lin	D12/177
D441,699	S	*	5/2001	Lin	D12/177

* cited by examiner

Primary Examiner—Melody N. Brown

(74) *Attorney, Agent, or Firm*—Alan G. Towner; Pietragallo, Bosick & Gordon

(57) **CLAIM**

The ornamental design for a sports ball steering wheel cover, as shown and described.

DESCRIPTION

FIG. 1 is a perspective view of a sports ball steering wheel cover showing my new design, the portions of the steering wheel shown in broken lines are for illustrative purposes only and form no part of the claimed design.

FIG. 2 is a front view thereof;

FIG. 3 is a right-side view thereof;

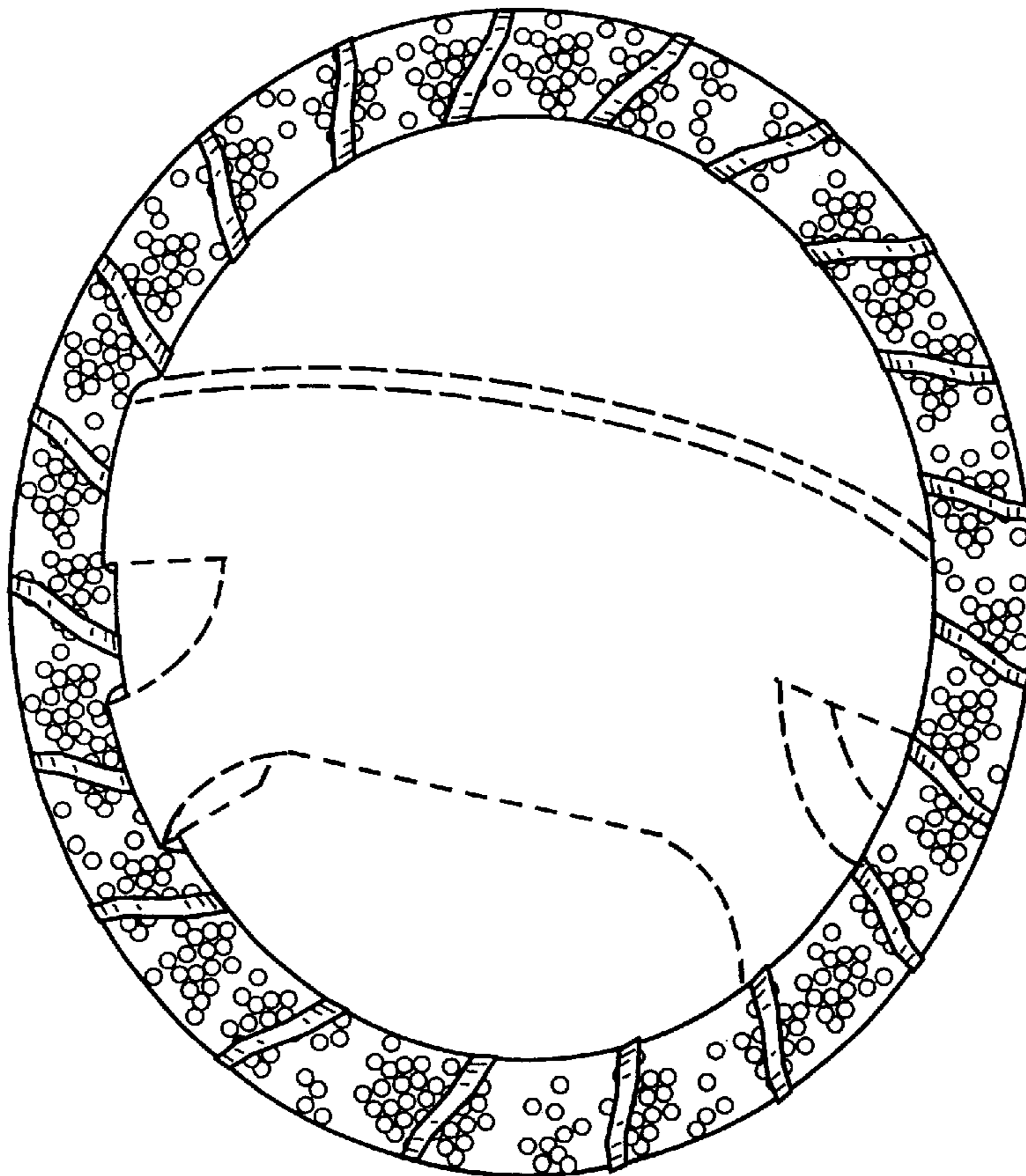
FIG. 4 is a left-side view thereof;

FIG. 5 is a top view thereof;

FIG. 6 is a bottom view thereof; and,

FIG. 7 is a back view thereof.

1 Claim, 4 Drawing Sheets



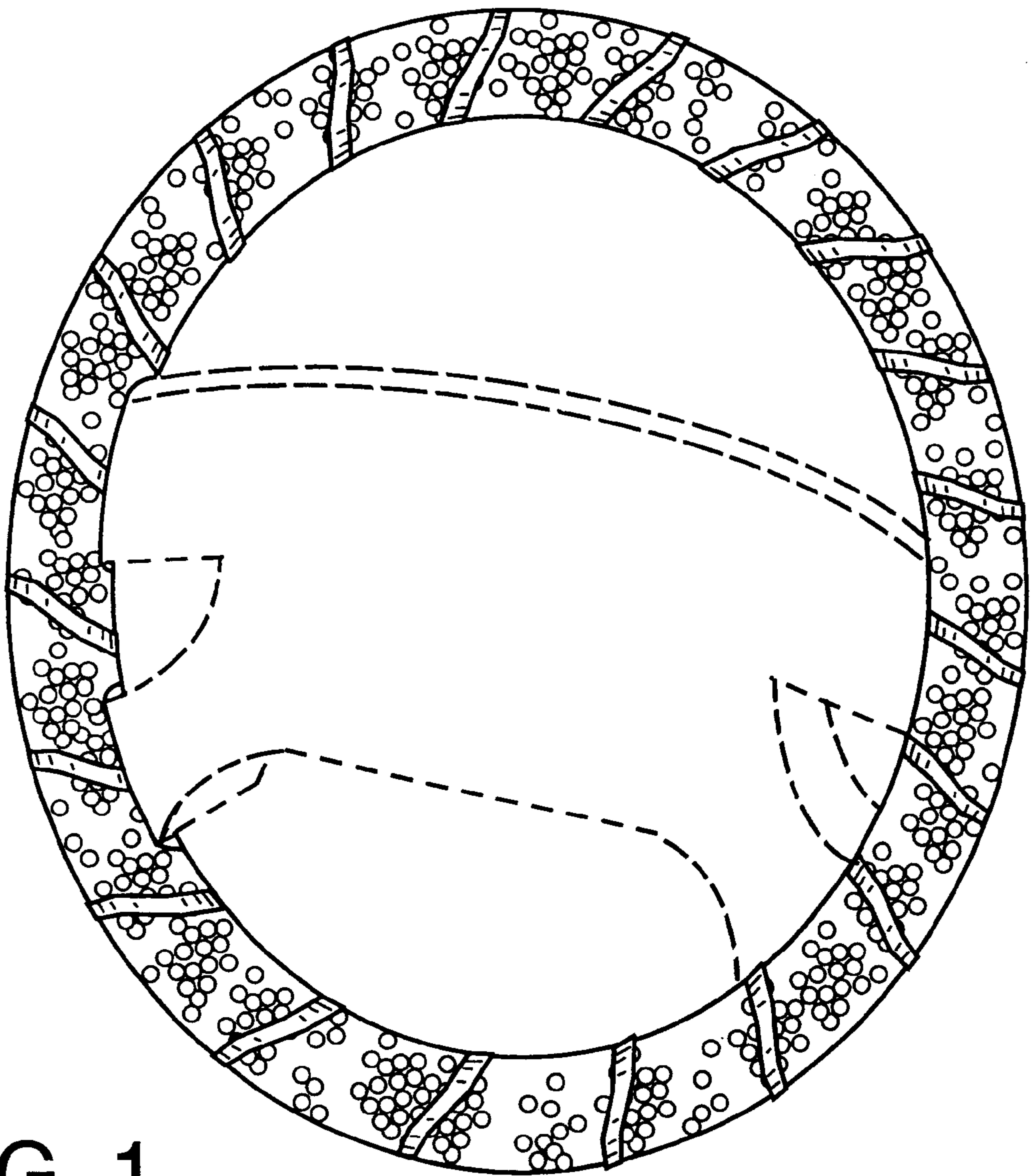


FIG. 1

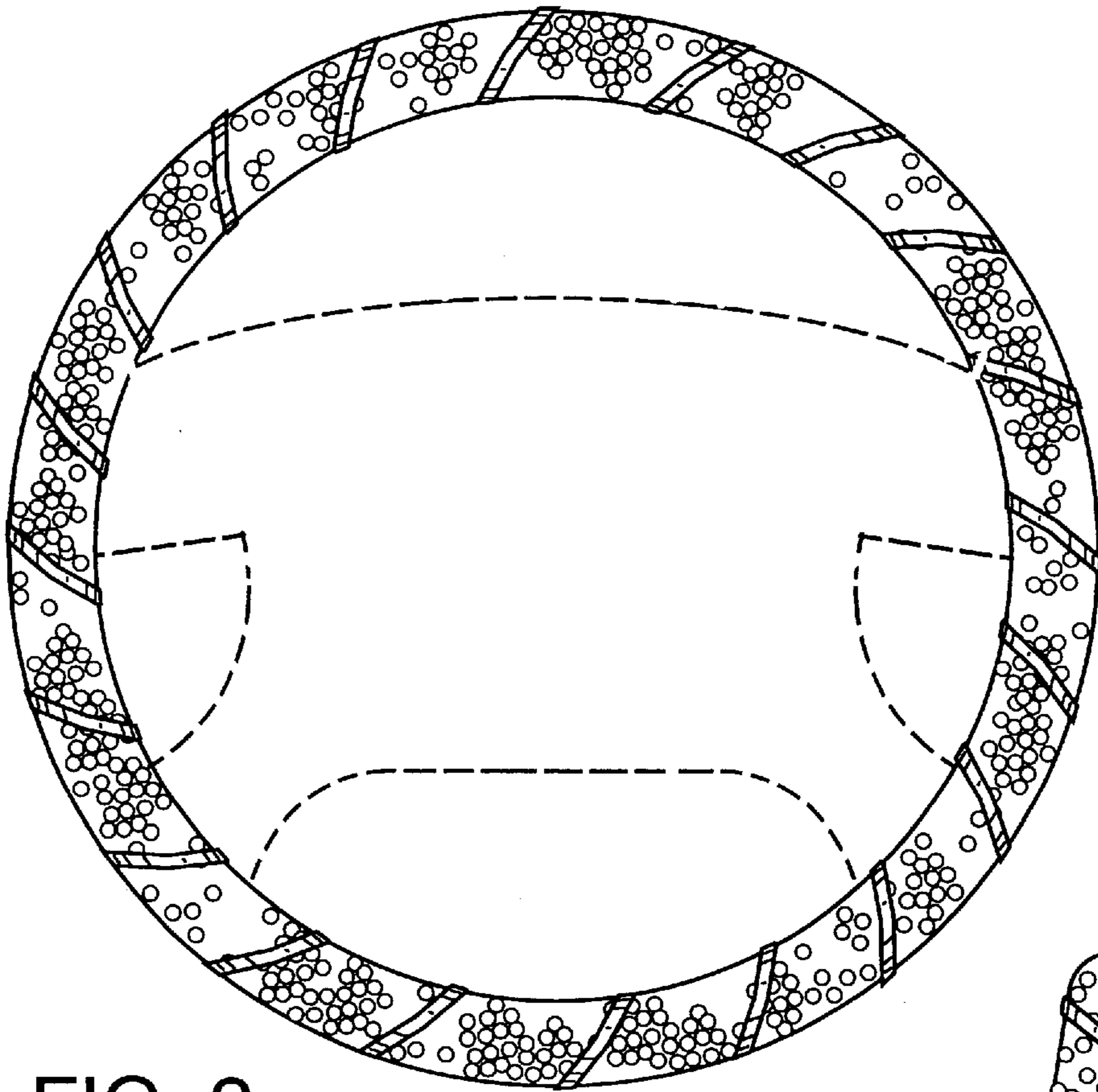


FIG. 2

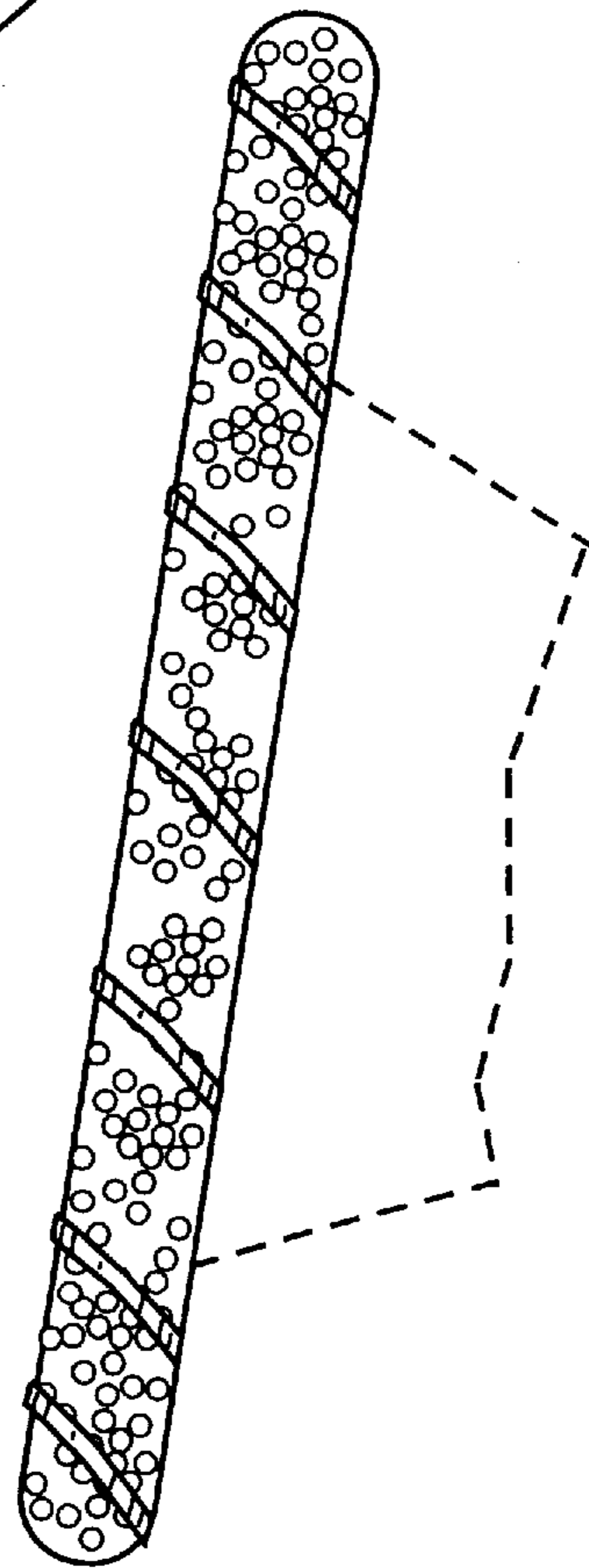


FIG. 3

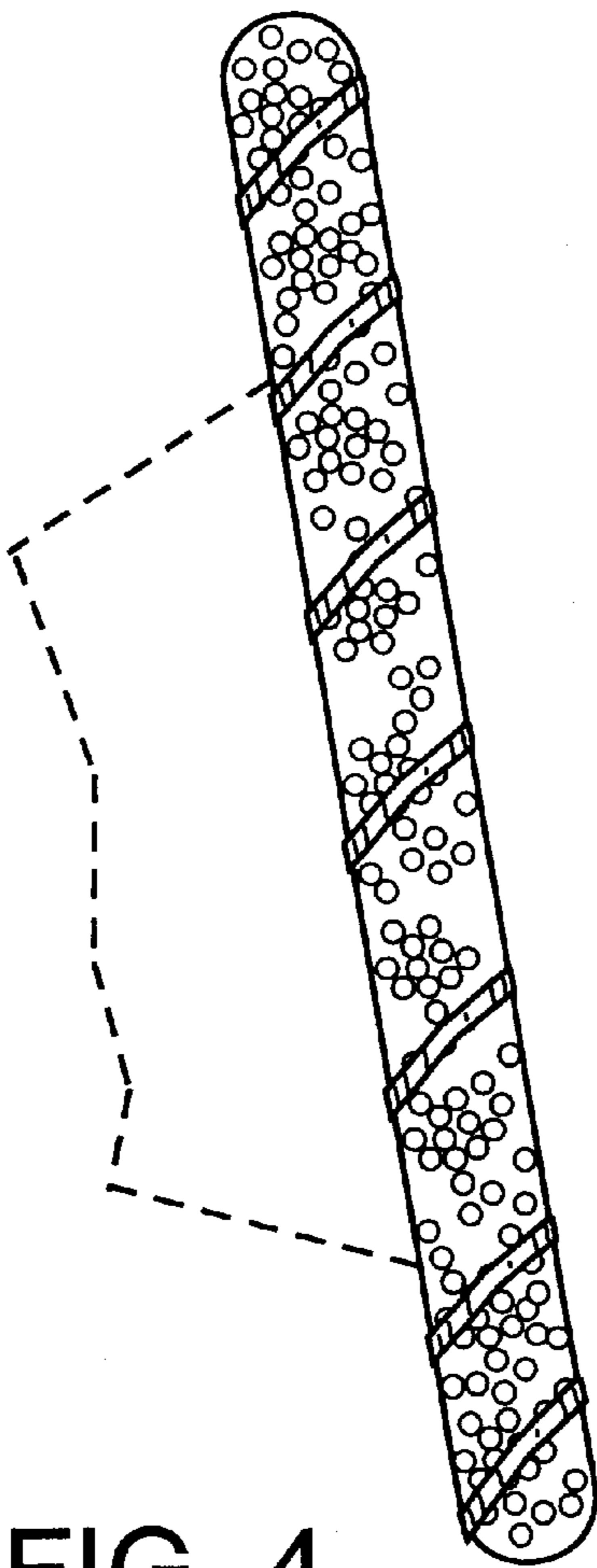


FIG. 4

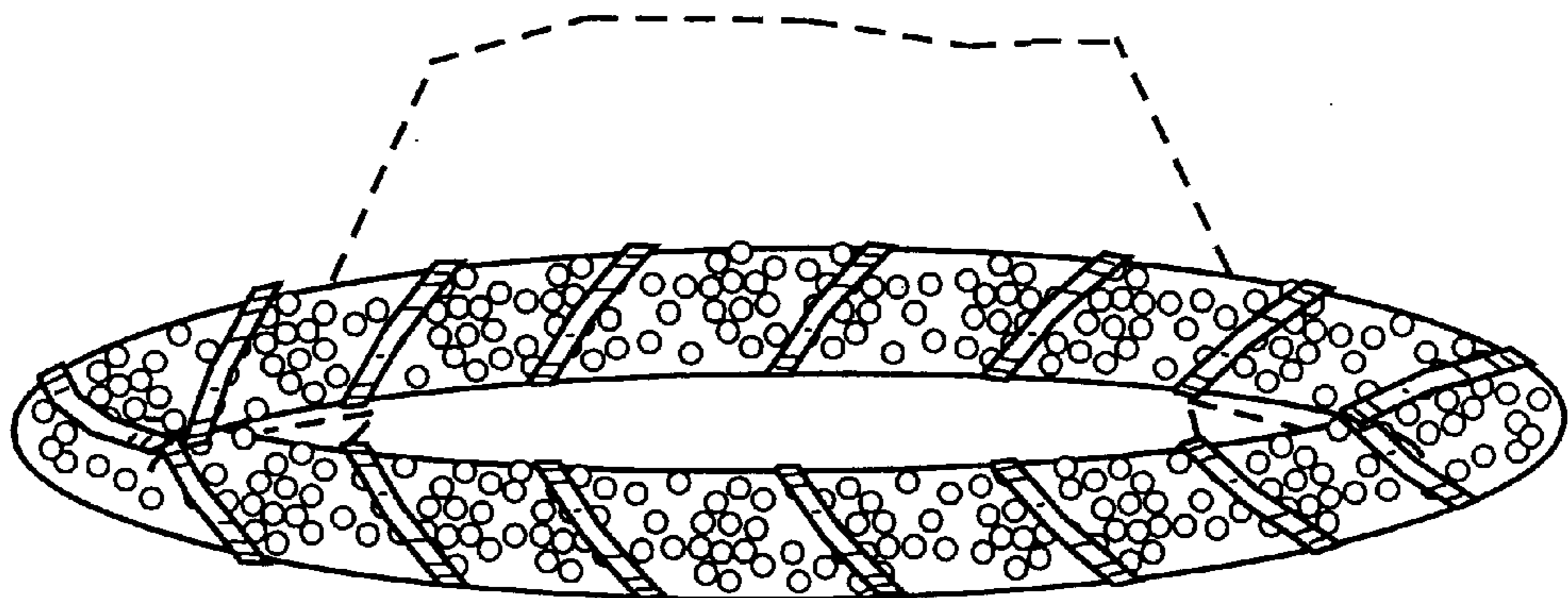


FIG. 5

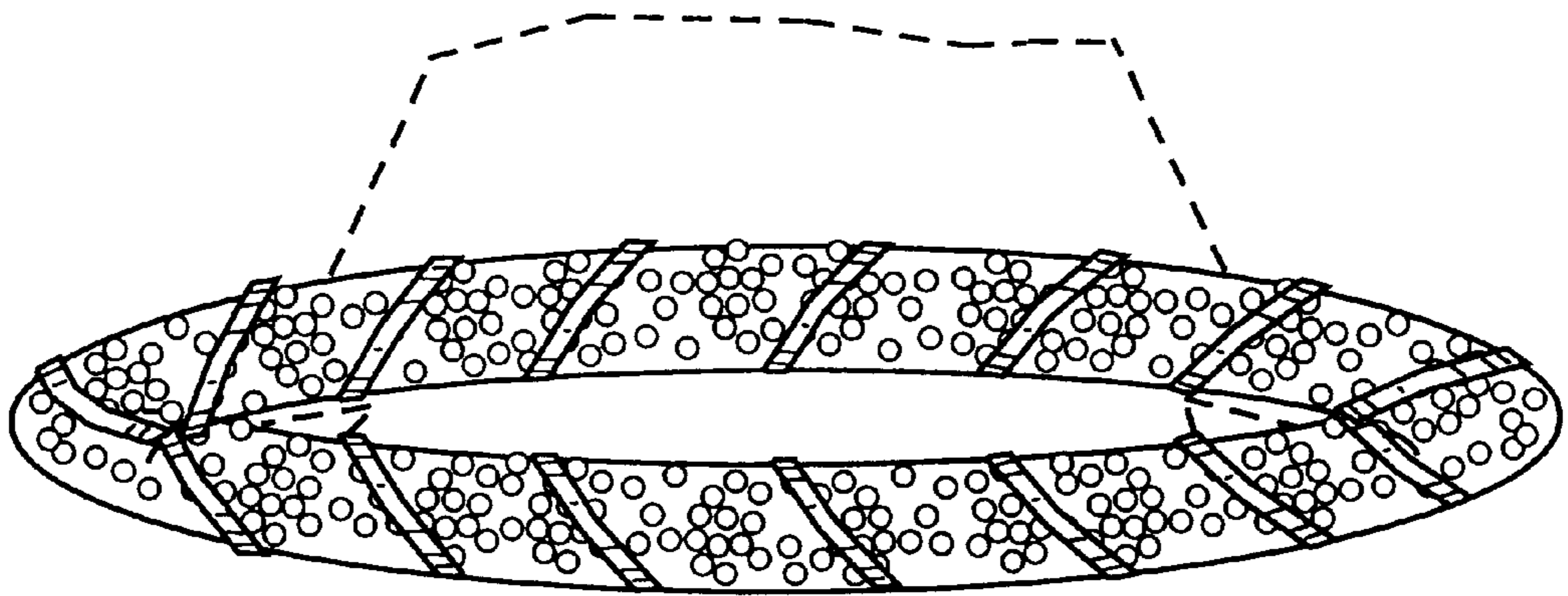


FIG. 6

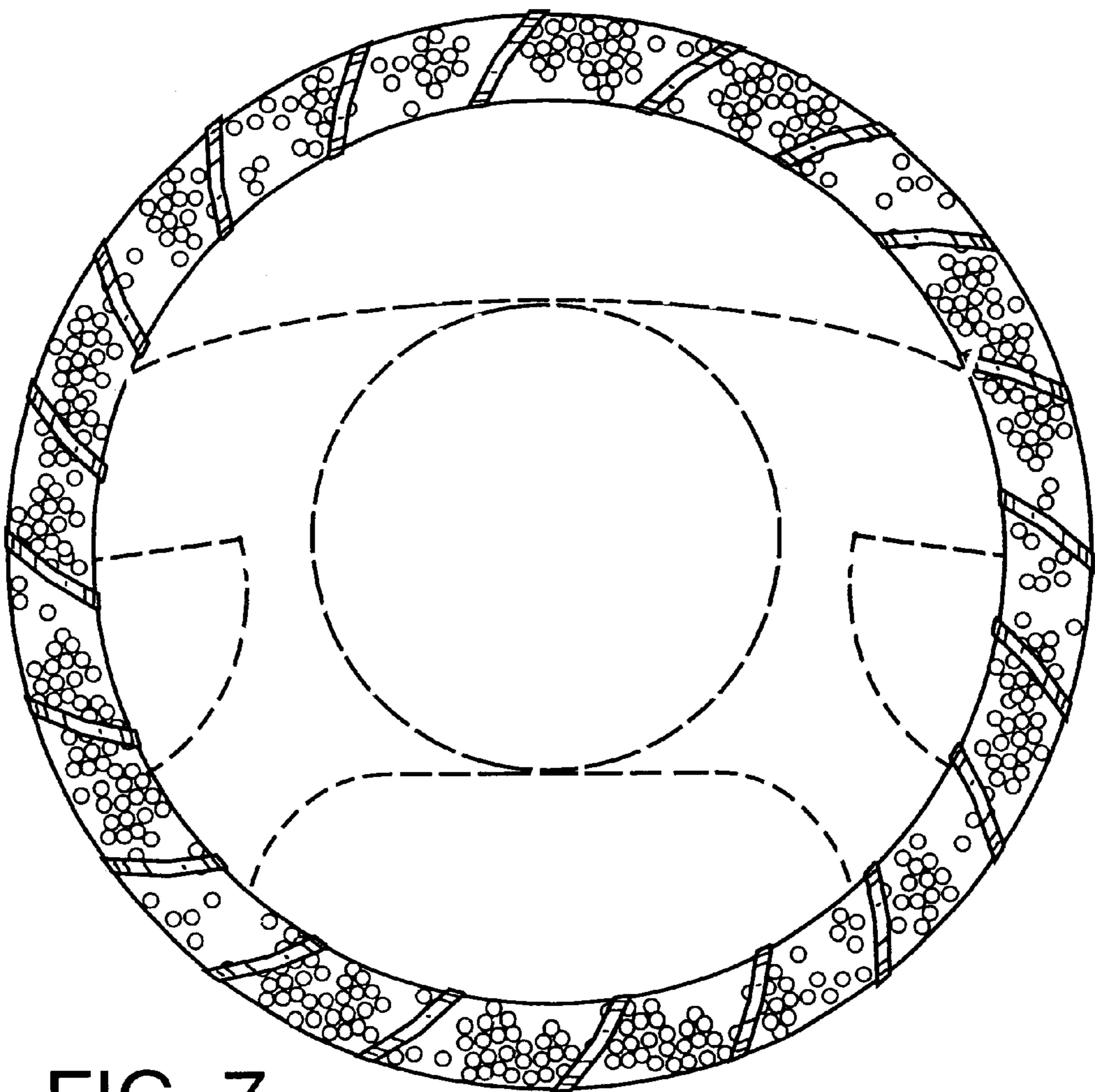


FIG. 7