



US00D457450S

(12) **United States Design Patent**  
**Lamond et al.**

(10) **Patent No.:** **US D457,450 S**

(45) **Date of Patent:** **\*\* May 21, 2002**

(54) **TAPE AND TAPE CLIP**

(75) Inventors: **Donald R. Lamond**, Haworth; **Bert D. Heinzelman**, Tenafly; **Dylan M. Akinrele**, Leonia, all of NJ (US); **Richard Whitehall**, New York; **Walter Stoeckmann**, Mahopac, both of NY (US)

(73) Assignee: **General Housewares Corporation**, Terre Haute, IN (US)

(\*\*) Term: **14 Years**

(21) Appl. No.: **29/149,581**

(22) Filed: **Oct. 15, 2001**

**Related U.S. Application Data**

(62) Division of application No. 29/137,629, filed on Feb. 27, 2001, now Pat. No. Des. 451,832.

(51) **LOC (7) Cl.** ..... **10-04**

(52) **U.S. Cl.** ..... **D10/74**

(58) **Field of Search** ..... **D10/74, 72; 33/755-770**

(56) **References Cited**

**U.S. PATENT DOCUMENTS**

D409,104 S	*	5/1999	Yang	.....	D10/74
D423,382 S	*	4/2000	Piotrkowski	.....	D10/74
D438,127 S		2/2001	Beger et al.	.....	D10/72
D447,069 S	*	8/2001	Budrow	.....	D10/74

\* cited by examiner

*Primary Examiner*—Antoine Duval Davis

(74) *Attorney, Agent, or Firm*—McDermott, Will & Emery

(57) **CLAIM**

The ornamental design for a tape and tape clip, as shown and described.

**DESCRIPTION**

FIG. 1 is a top, front perspective view of an exemplary embodiment of a tape and tape clip according to the present invention; and,

FIG. 2 is a bottom, rear perspective view of an exemplary embodiment of a tape and tape clip according to the present invention.

**1 Claim, 1 Drawing Sheet**

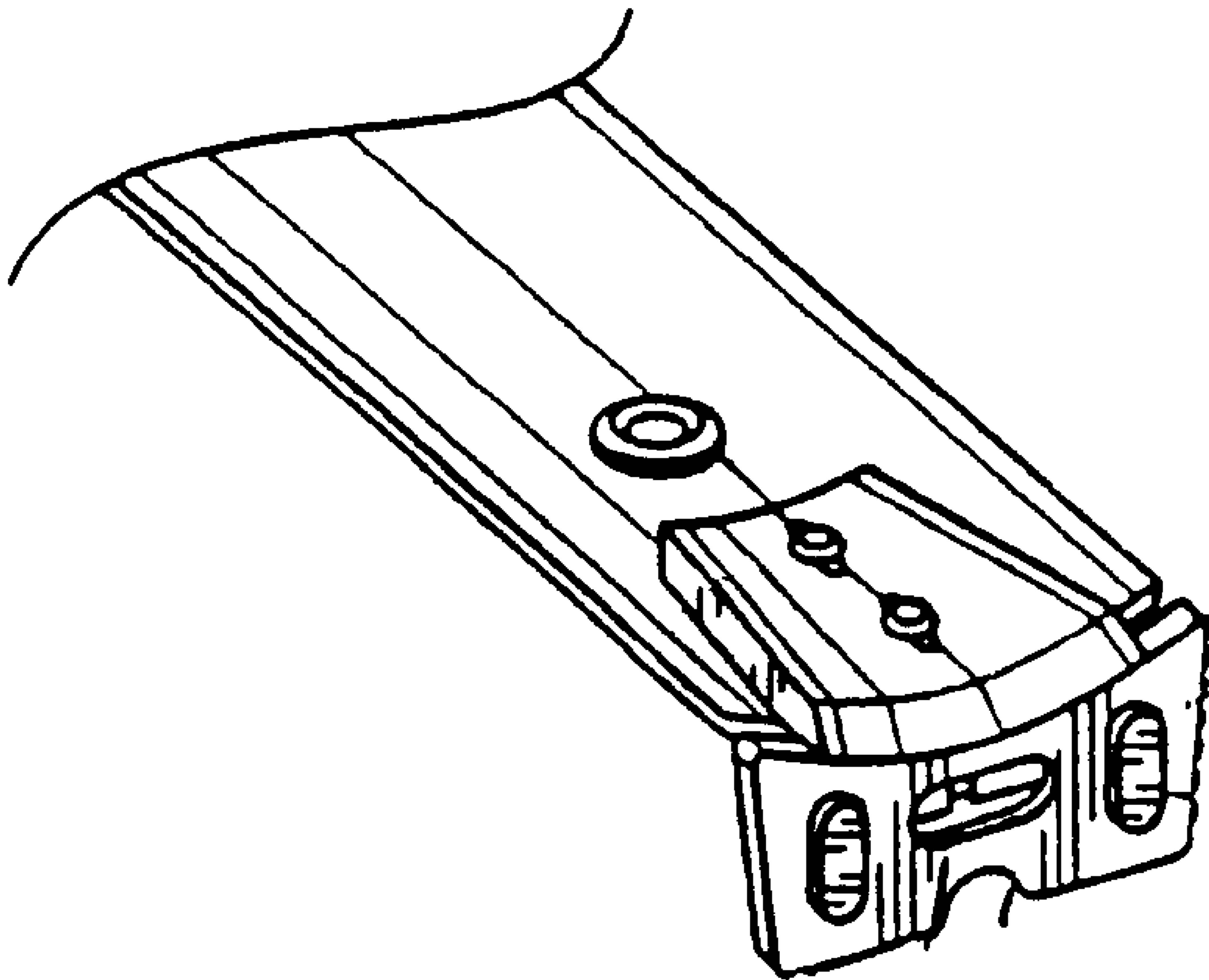


FIG. 1

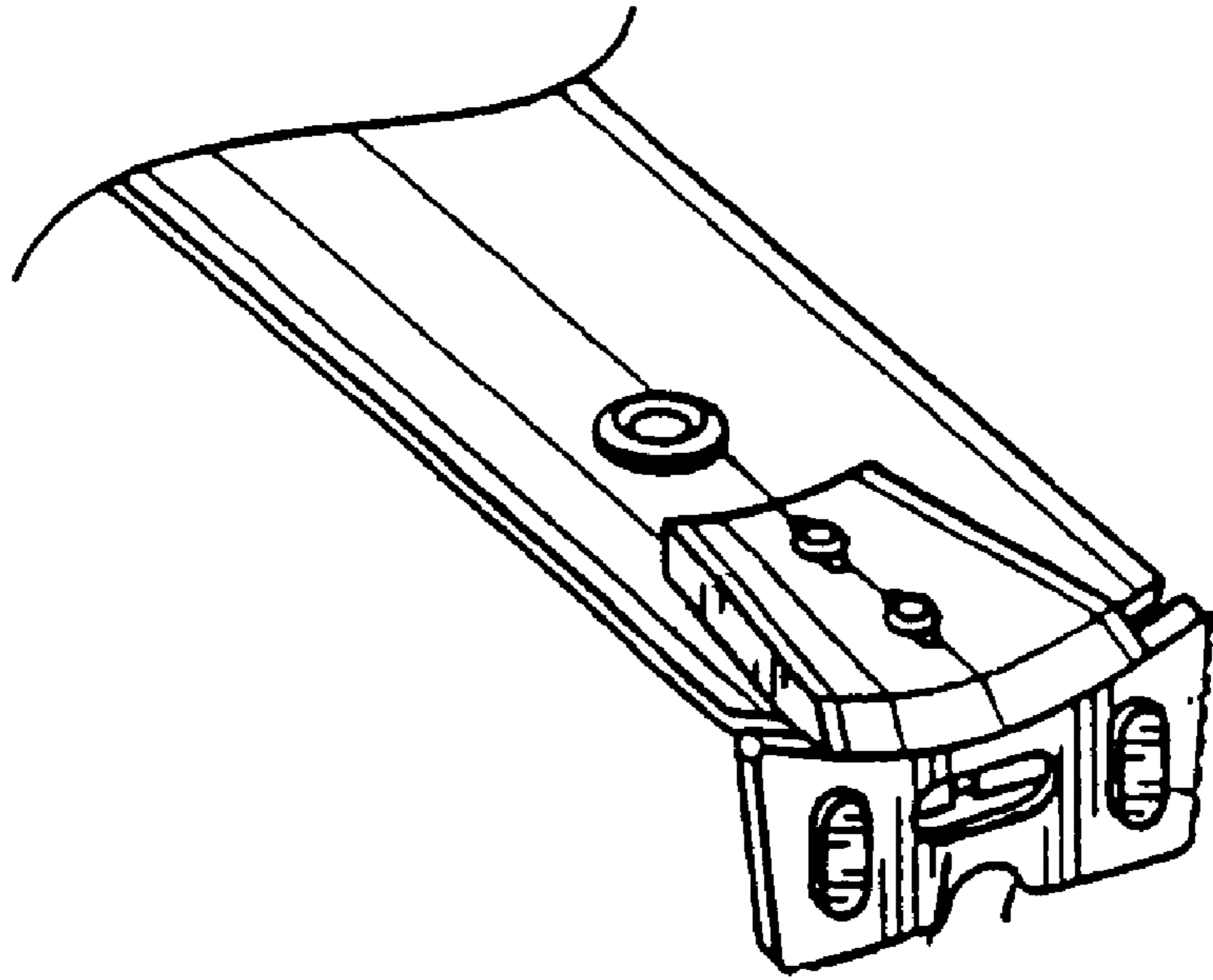


FIG. 2

