



US00D457448S

(12) **United States Design Patent**  
**Olson**

(10) **Patent No.:** **US D457,448 S**

(45) **Date of Patent:** **\*\* May 21, 2002**

(54) **CASE FOR TAPE MEASURING DEVICE**

(75) Inventor: **R. Brian Olson**, Naperville, IL (US)

(73) Assignee: **Keson Industries, Inc.**, Naperville, IL (US)

(\*\*) Term: **14 Years**

(21) Appl. No.: **29/140,361**

(22) Filed: **Apr. 17, 2001**

(51) **LOC (7) Cl.** ..... **10-04**

(52) **U.S. Cl.** ..... **D10/72**

(58) **Field of Search** ..... D10/72, 74; 33/755-769;  
242/385.1, 390.1, 396.2, 396.7, 397.2

(56) **References Cited**

**U.S. PATENT DOCUMENTS**

D441,671 S \* 5/2001 Hsu ..... D10/72

\* cited by examiner

*Primary Examiner*—Antoine Duval Davis

(74) *Attorney, Agent, or Firm*—Wood, Phillips, VanSanten, Clark & Mortimer

(57) **CLAIM**

The ornamental design for a case for tape measuring device, as shown and described.

**DESCRIPTION**

FIG. 1 is a front, side and top perspective view of my design for a case for tape measuring device;

FIG. 2 is a plan view thereof;

FIG. 3 is a bottom view thereof;

FIG. 4 is an elevation view thereof from the side opposite that in FIG. 1;

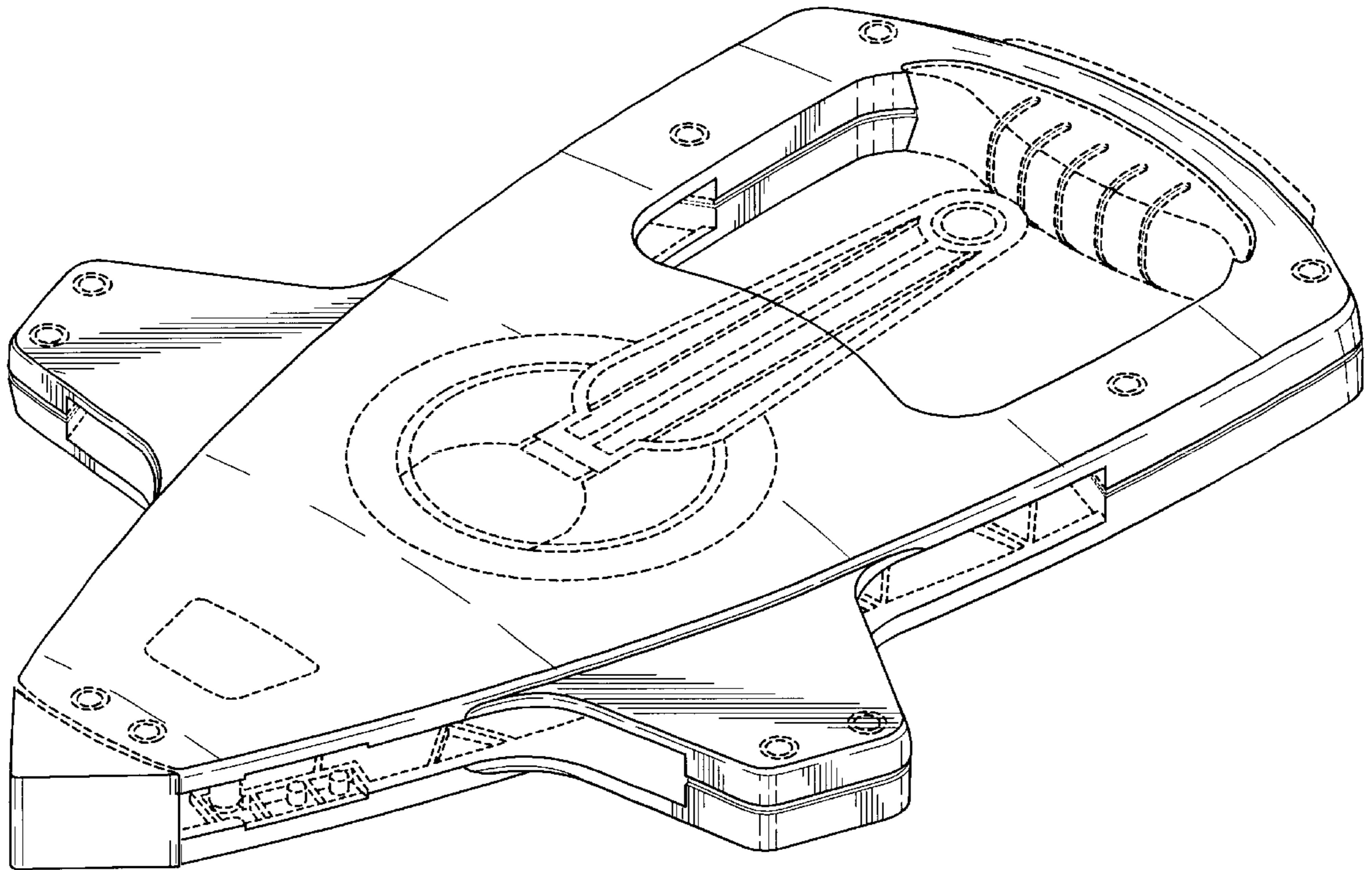
FIG. 5 is an elevation view thereof from the same side as in FIG. 1;

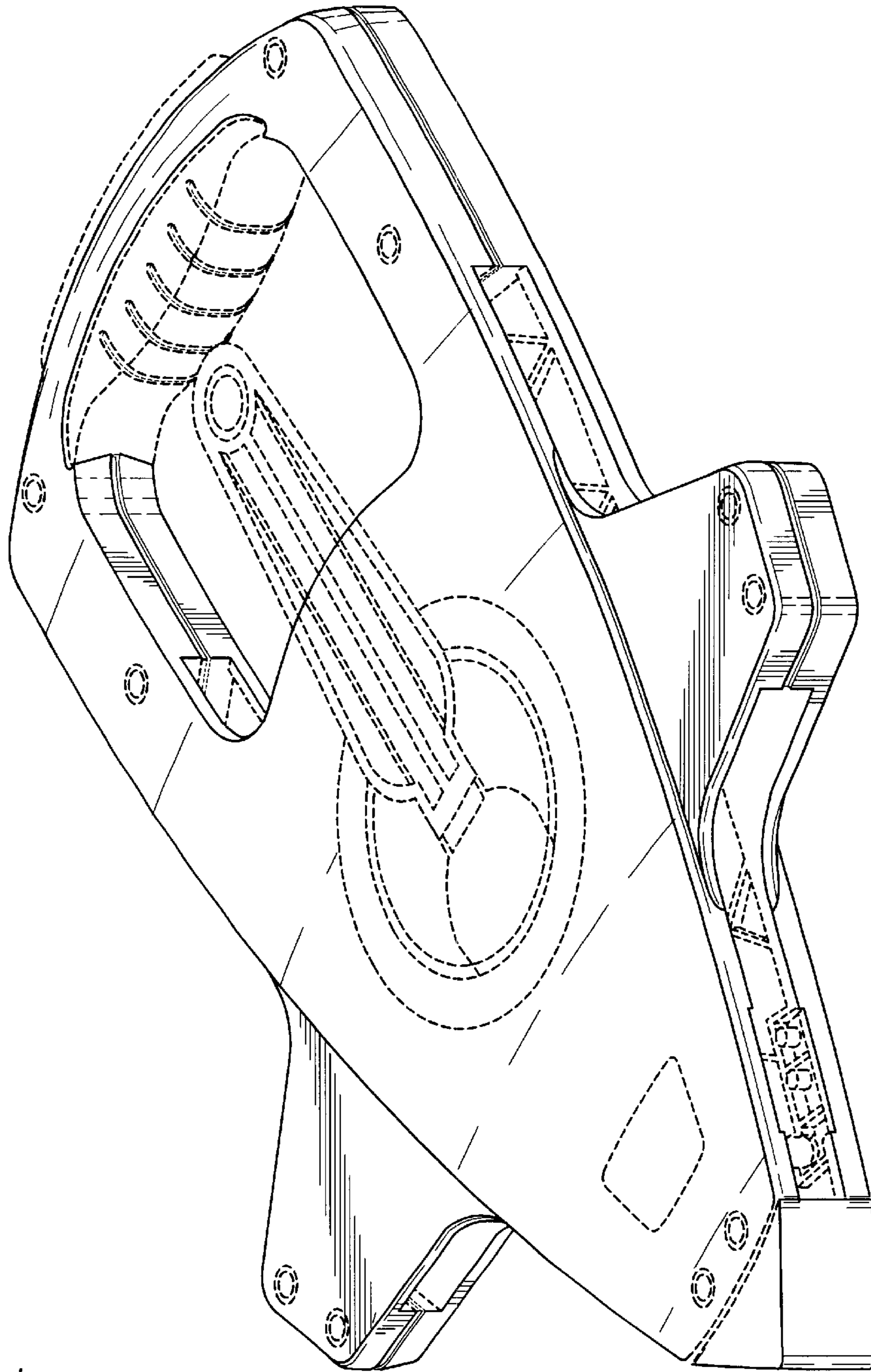
FIG. 6 is a rear elevation view thereof; and,

FIG. 7 is a front elevation view thereof.

The portions of the case for tape measuring device shown in dotted lines do not constitute a part of the claimed design.

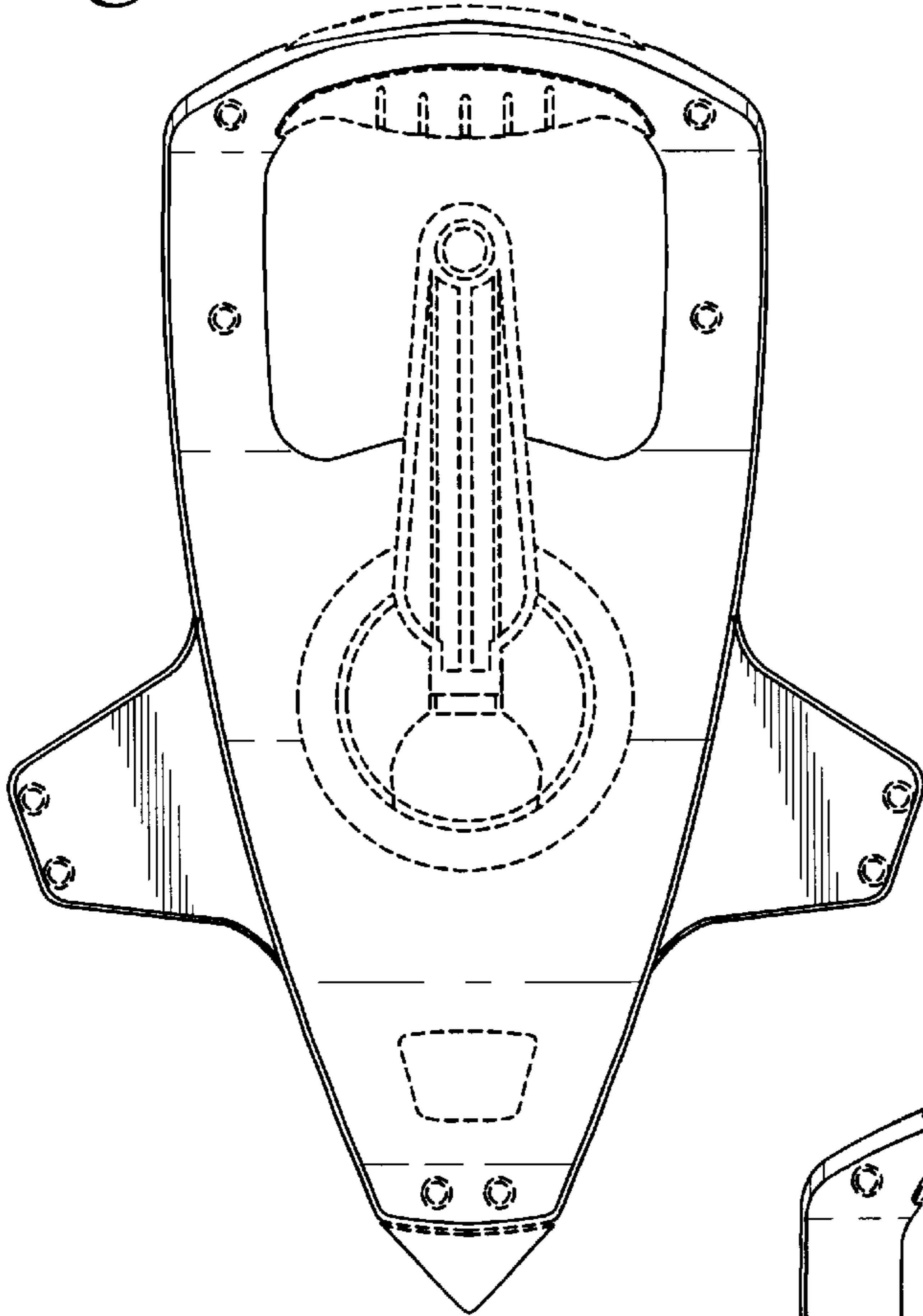
**1 Claim, 3 Drawing Sheets**



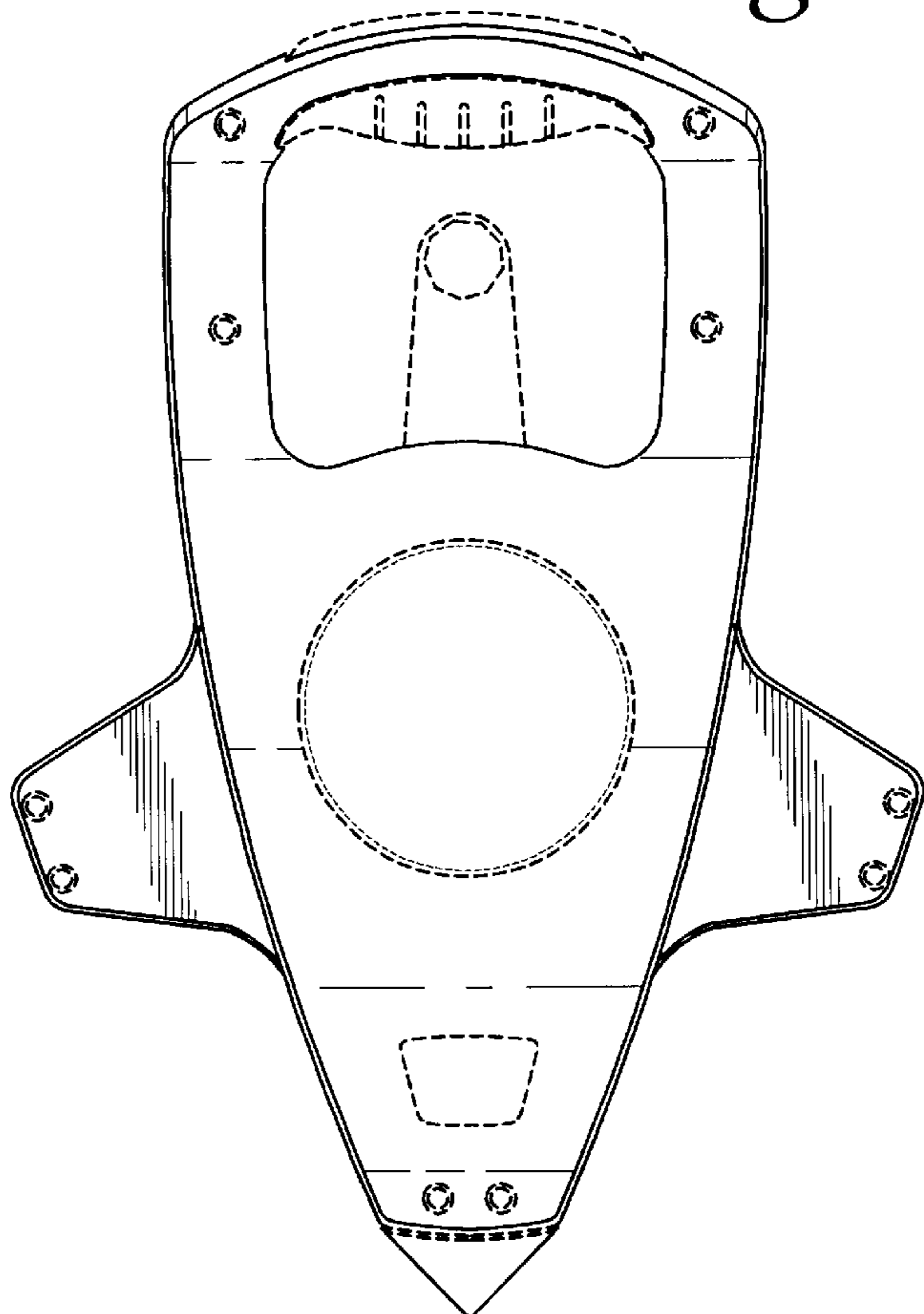


*Fig. 1*

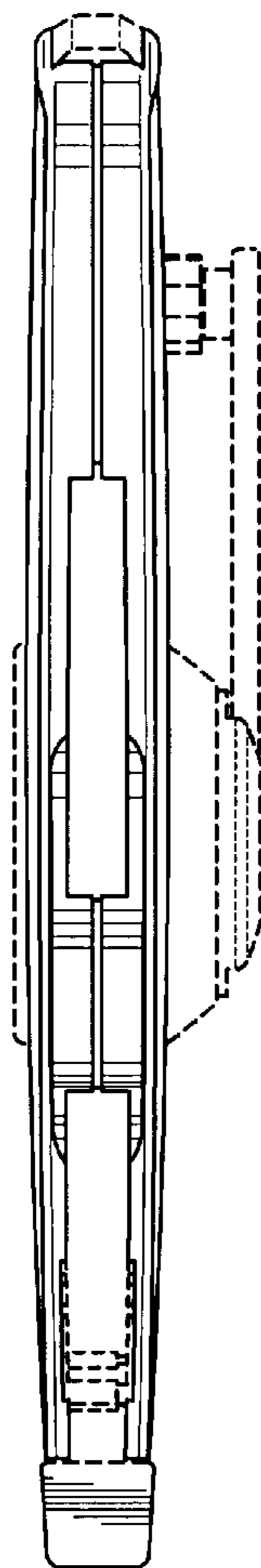
*Fig. 2*



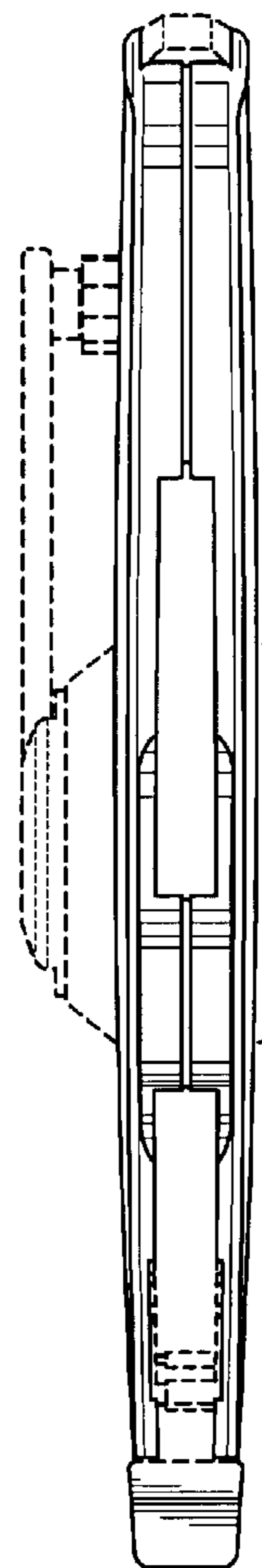
*Fig. 3*



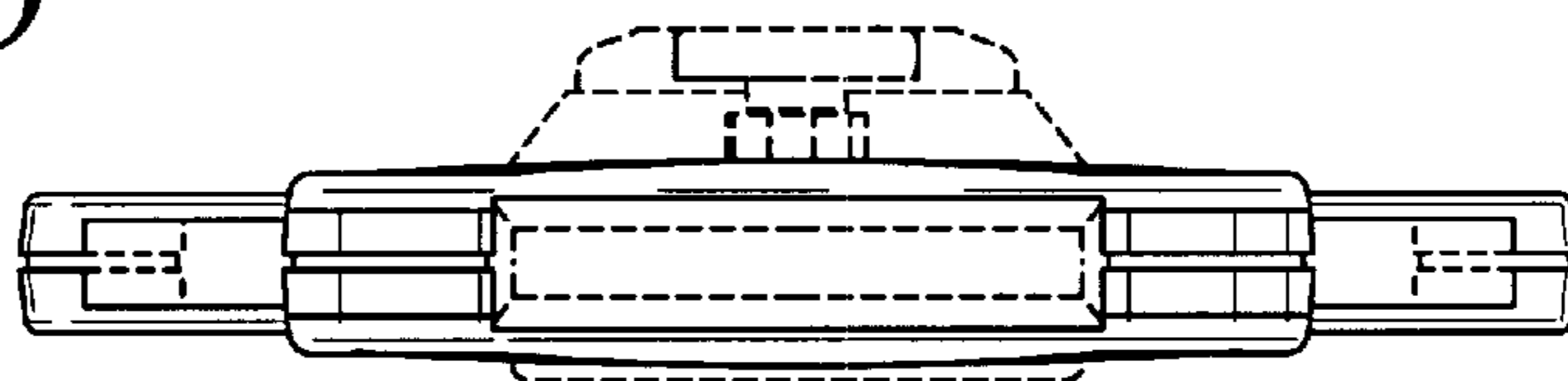
*Fig. 4*



*Fig. 5*



*Fig. 6*



*Fig. 7*

