



US00D457446S

(12) **United States Design Patent**
Kallabis

(10) **Patent No.:** **US D457,446 S**

(45) **Date of Patent:** **** May 21, 2002**

(54) **LASER LEVEL WITH LEVEL BODY**

6,065,217 A * 5/2000 Dong 33/290
RE37,318 E * 8/2001 Porter 33/290

(75) Inventor: **Gabriel Kallabis, Spirkelbach (DE)**

* cited by examiner

(73) Assignee: **Stabila-Messgerate Gustav Ullrich GmbH & Co. KG, Annweiler am Trifels (DE)**

Primary Examiner—Antoine Duval Davis
(74) *Attorney, Agent, or Firm*—Friedrich Kueffner

(**) Term: **14 Years**

(57) **CLAIM**

(21) Appl. No.: **29/144,012**

The ornamental design for a laser level with level body, as shown and described.

(22) Filed: **Jun. 22, 2001**

DESCRIPTION

(30) **Foreign Application Priority Data**

Dec. 28, 2000 (XH) DM/055 593

FIG. 1 is a perspective front view of a laser level with level body showing my new design;
FIG. 2 is a side view thereof;
FIG. 3 is a another side view thereof;
FIG. 4 is a rear view thereof;
FIG. 5 is a bottom view thereof; and,
FIG. 6 is a perspective top view, with the level body shown in a different position, of a laser level with level body showing my new design.

(51) **LOC (7) Cl.** **10-04**

(52) **U.S. Cl.** **D10/69; D10/66**

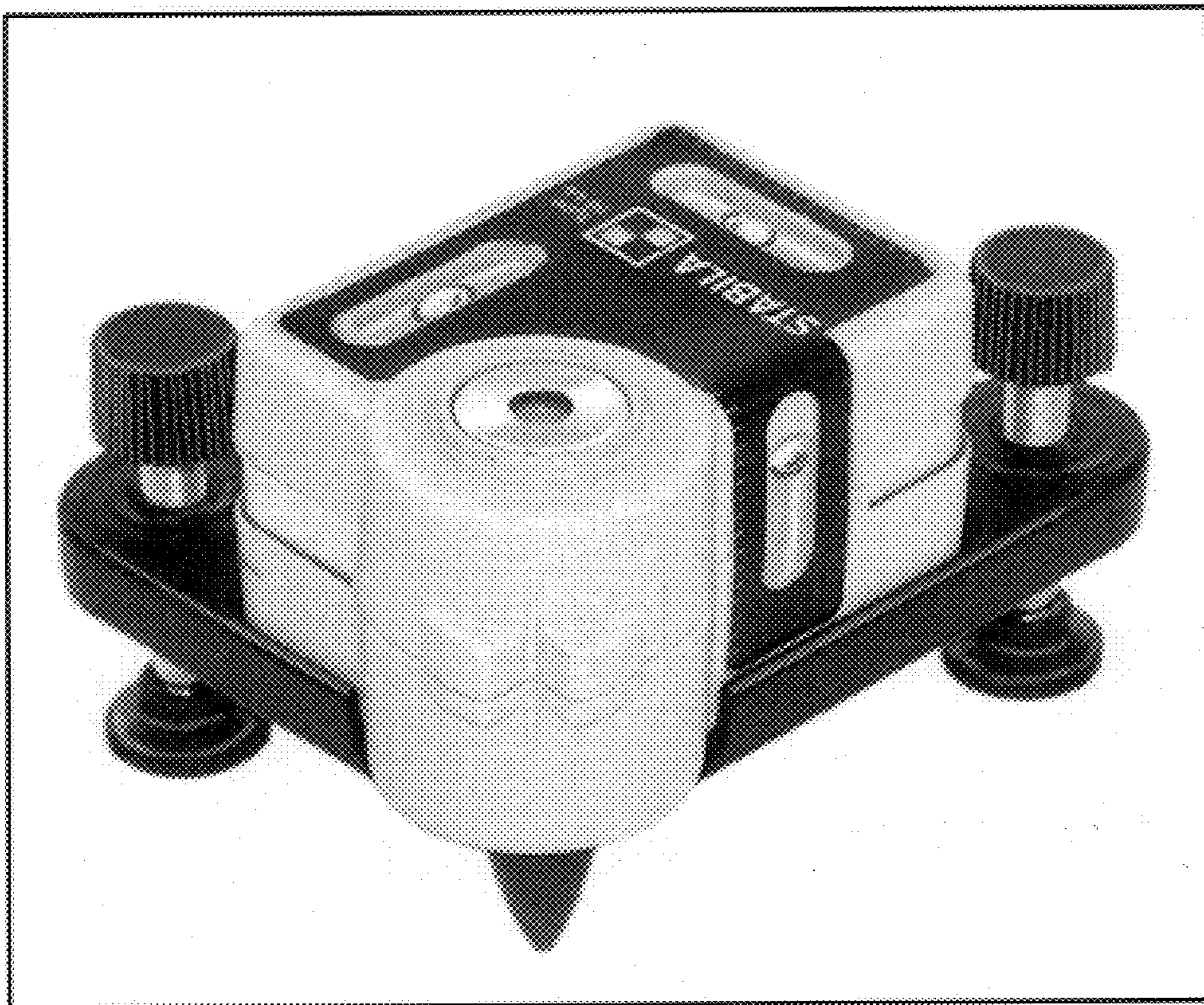
(58) **Field of Search** D10/69, 66; 33/227, 33/290, DIG. 21

(56) **References Cited**

U.S. PATENT DOCUMENTS

D396,817 S * 8/1998 Webb D10/74

1 Claim, 3 Drawing Sheets



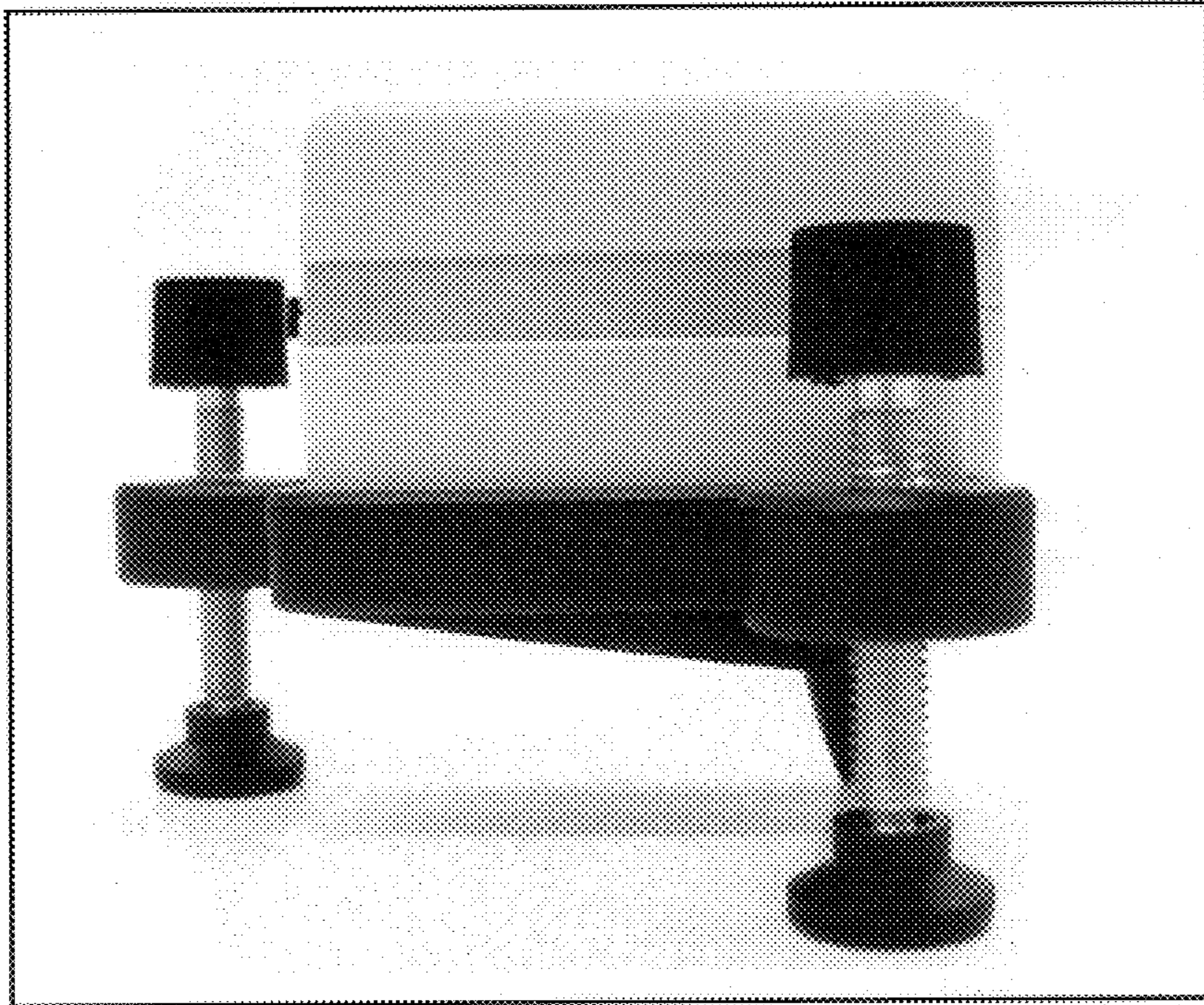


FIG. 2

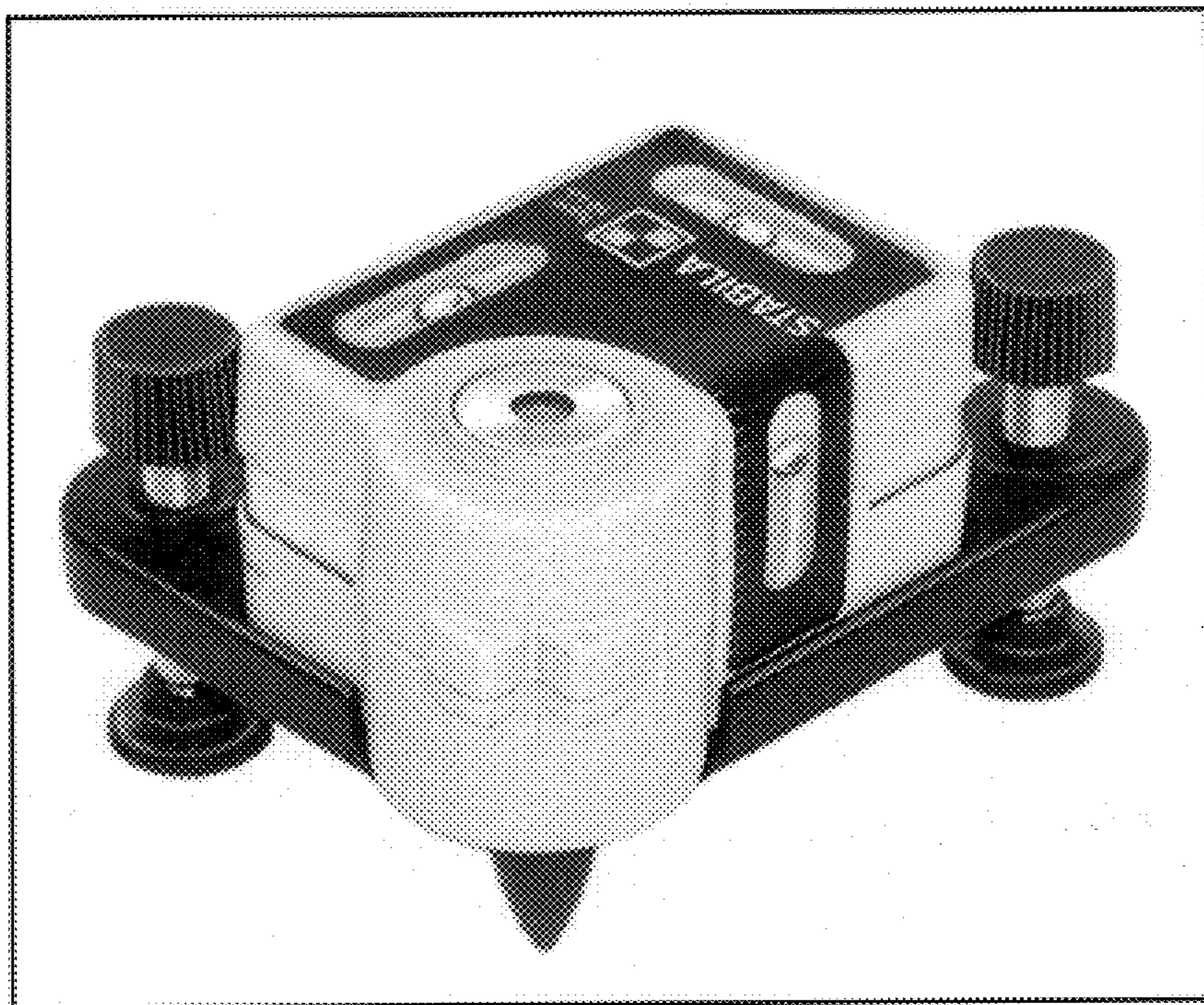


FIG. 1

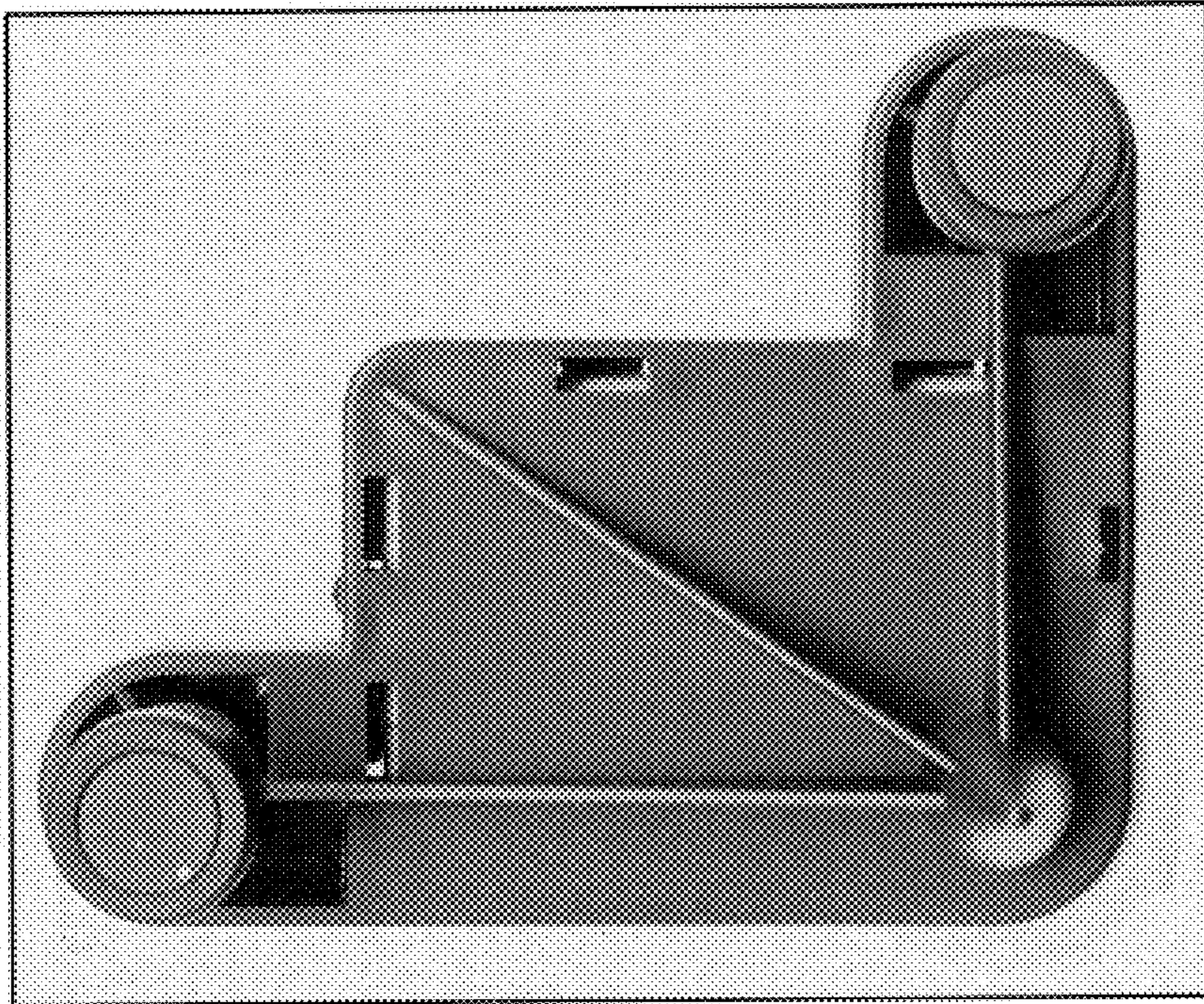


FIG. 5

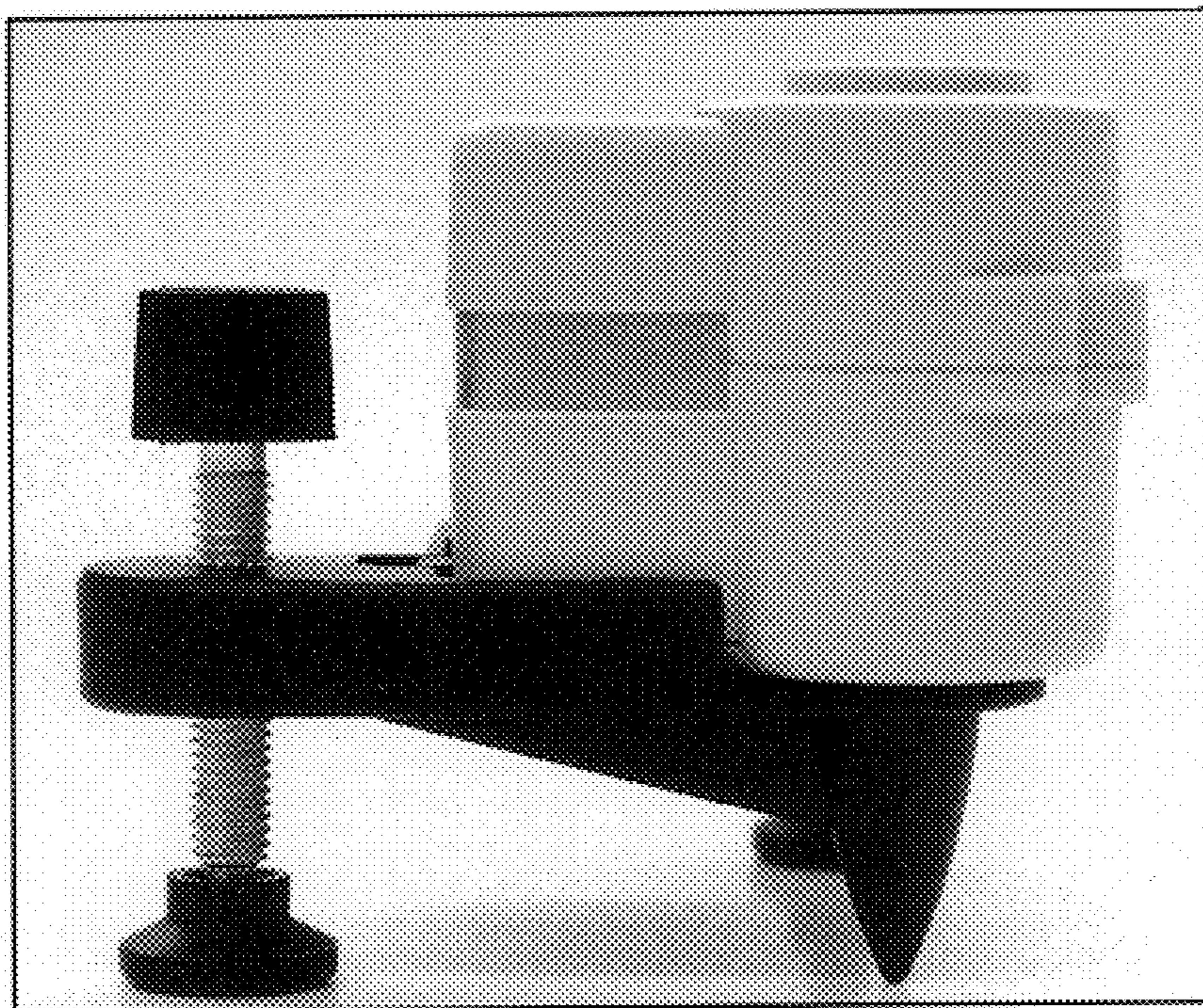


FIG. 3

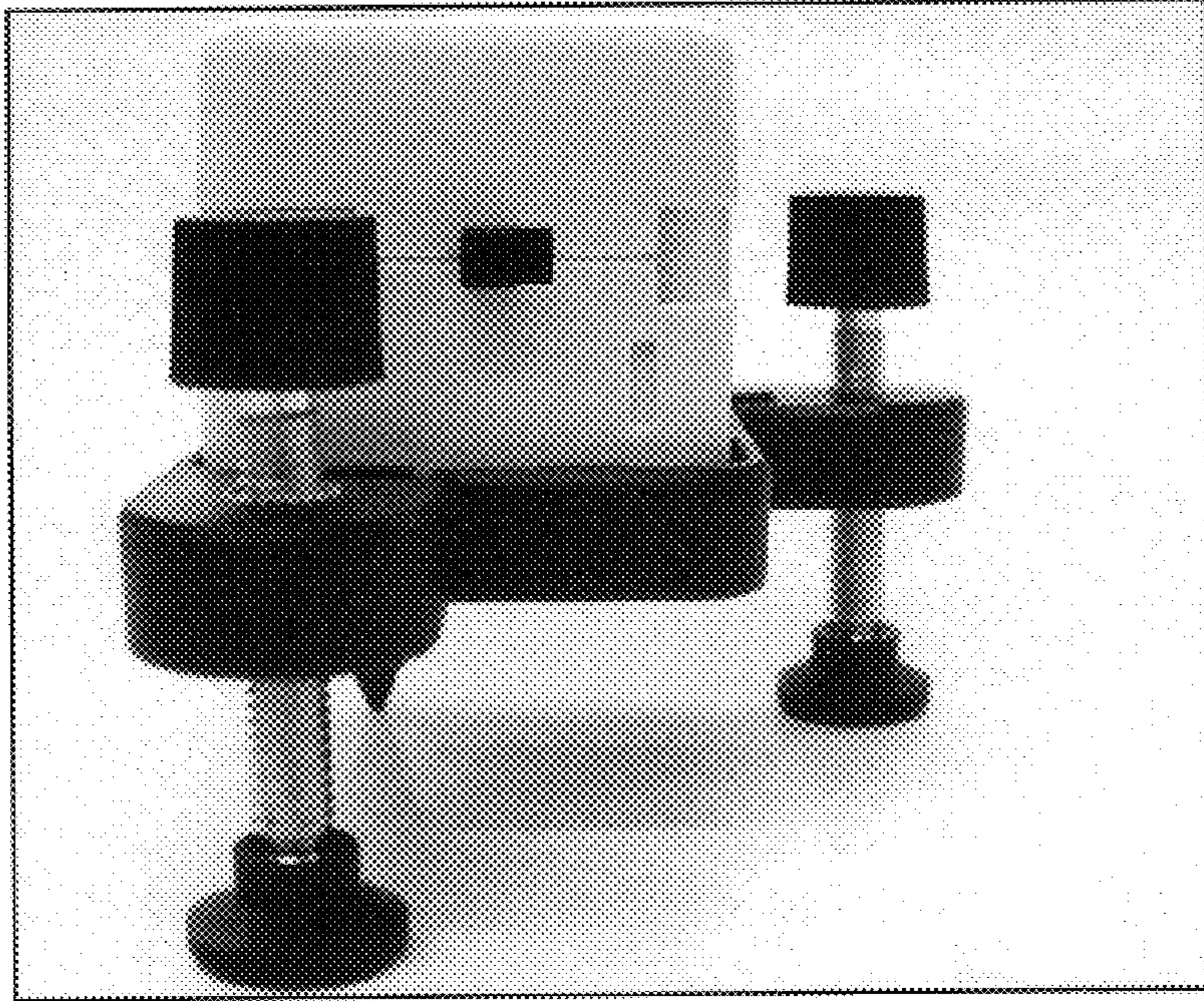


FIG. 4

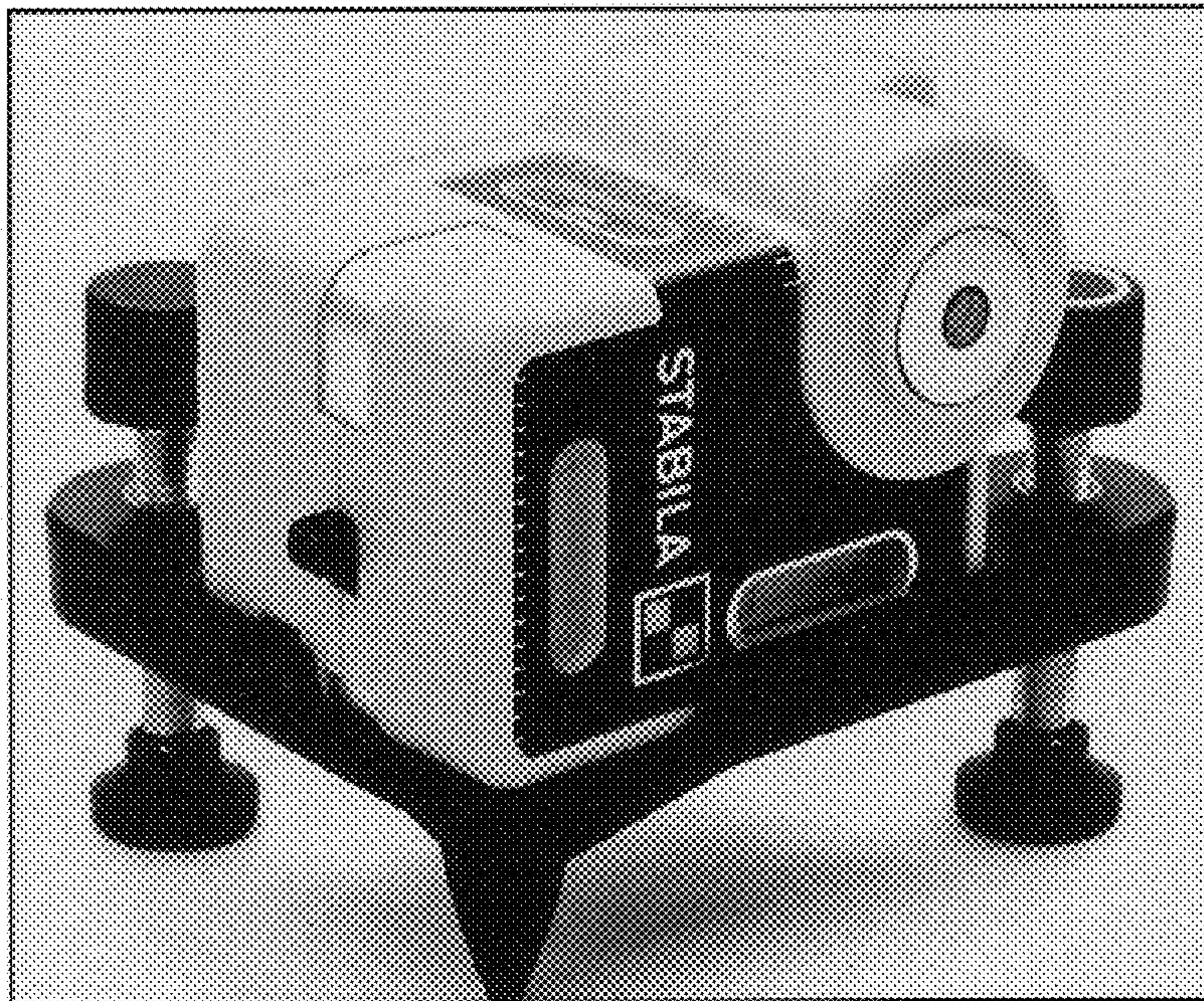


FIG. 6