



US00D457443S

(12) **United States Design Patent**
Riester-Freudenmann

(10) **Patent No.:** **US D457,443 S**

(45) **Date of Patent:** **** May 21, 2002**

(54) **INFRARED THERMOMETER**

D410,857 S * 6/1999 Barthelemy et al. D10/57
5,991,652 A * 11/1999 Barthelemy et al. 600/474

(76) Inventor: **Patricia Riester-Freudenmann**,
Sonnenhalde 18, Jungingen (DE),
D-72417

* cited by examiner

(**) Term: **14 Years**

Primary Examiner—Antoine Duval Davis
(74) *Attorney, Agent, or Firm*—Ira S. Dorman

(21) Appl. No.: **29/140,881**

(22) Filed: **Apr. 25, 2001**

(57) **CLAIM**

The ornamental design for an infrared thermometer, as shown and described.

(30) **Foreign Application Priority Data**

Oct. 27, 2000 (DE) M 400 10 436

DESCRIPTION

(51) **LOC (7) Cl.** **10-04**

(52) **U.S. Cl.** **D10/57**

(58) **Field of Search** D10/57; 128/664,
128/736; 374/130, 131, 208; 600/474

FIG. 1 is a perspective view of an infrared thermometer embodying the present invention;

FIG. 2 is a view of one side of the thermometer, the opposite side being a mirror image thereof;

FIG. 3 is a front view of the thermometer;

FIG. 4 is a back view of the thermometer;

FIG. 5 is a top view of the thermometer; and,

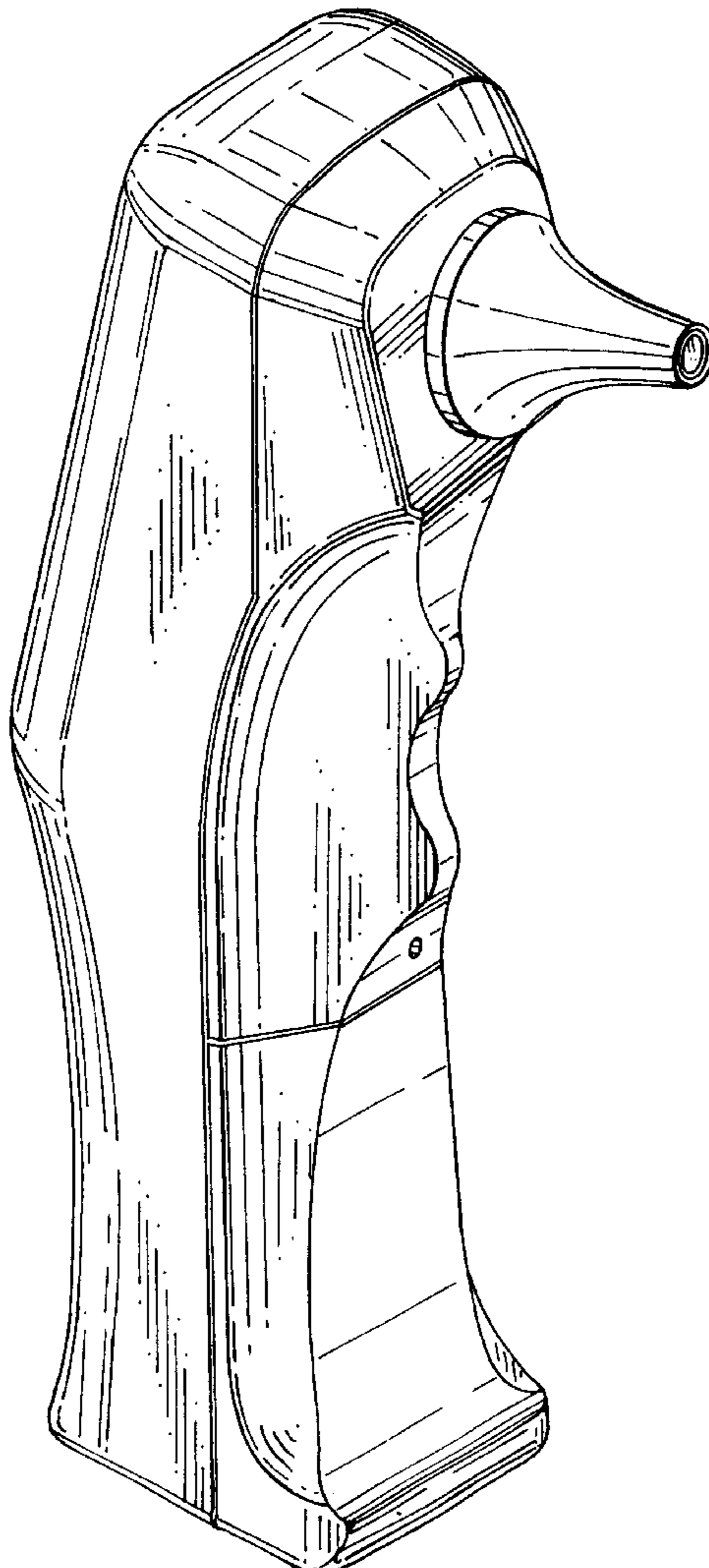
FIG. 6 is a bottom view of the thermometer.

(56) **References Cited**

U.S. PATENT DOCUMENTS

D393,216 S * 4/1998 Chen D10/57

1 Claim, 3 Drawing Sheets



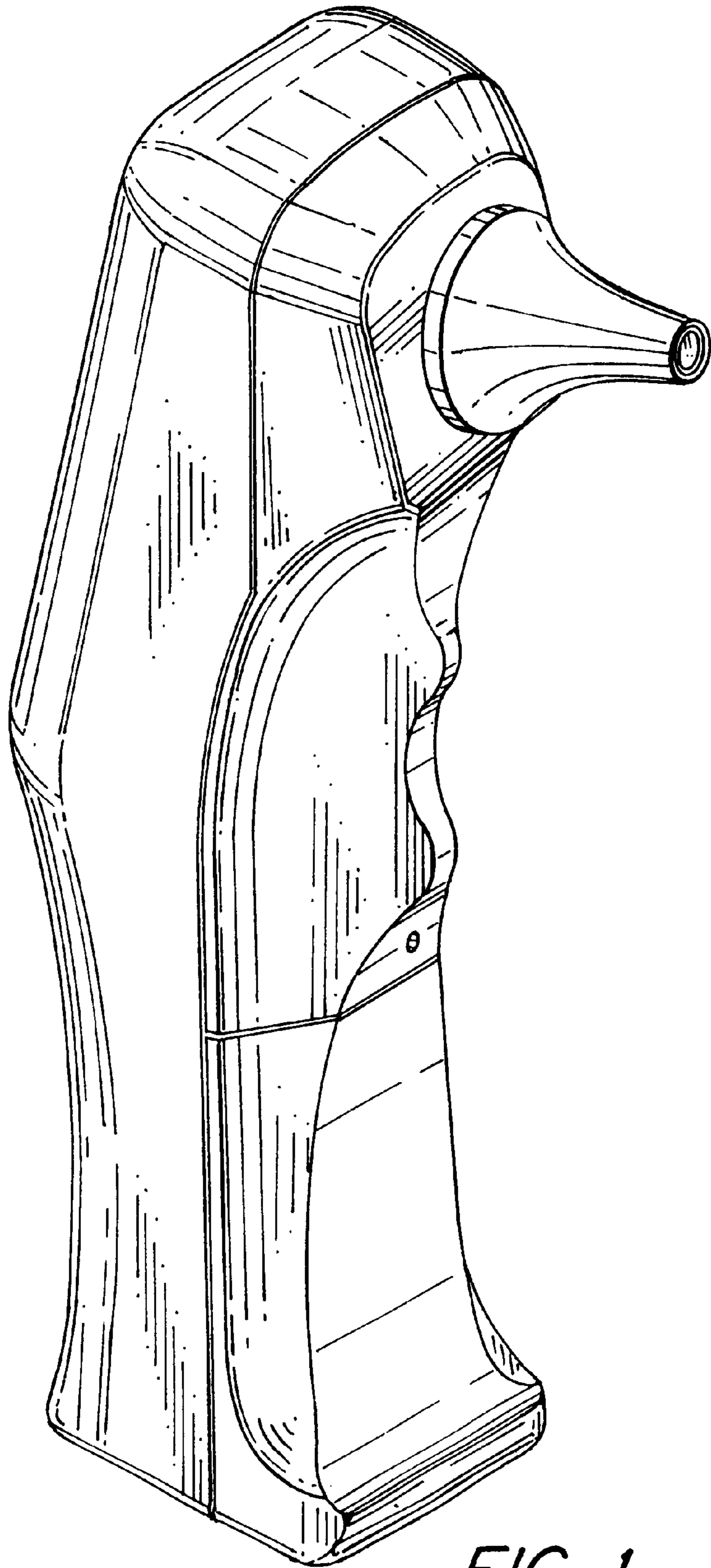


FIG. 1

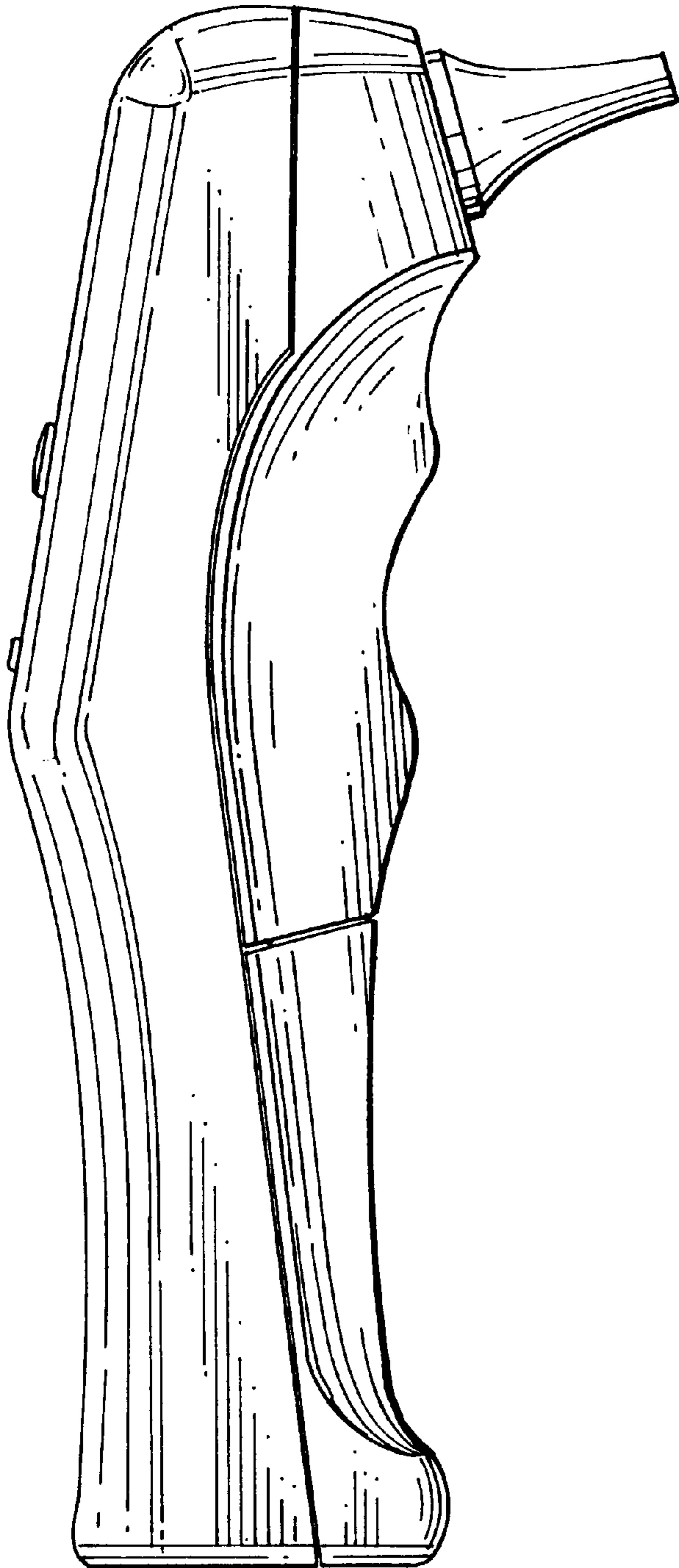


FIG. 2

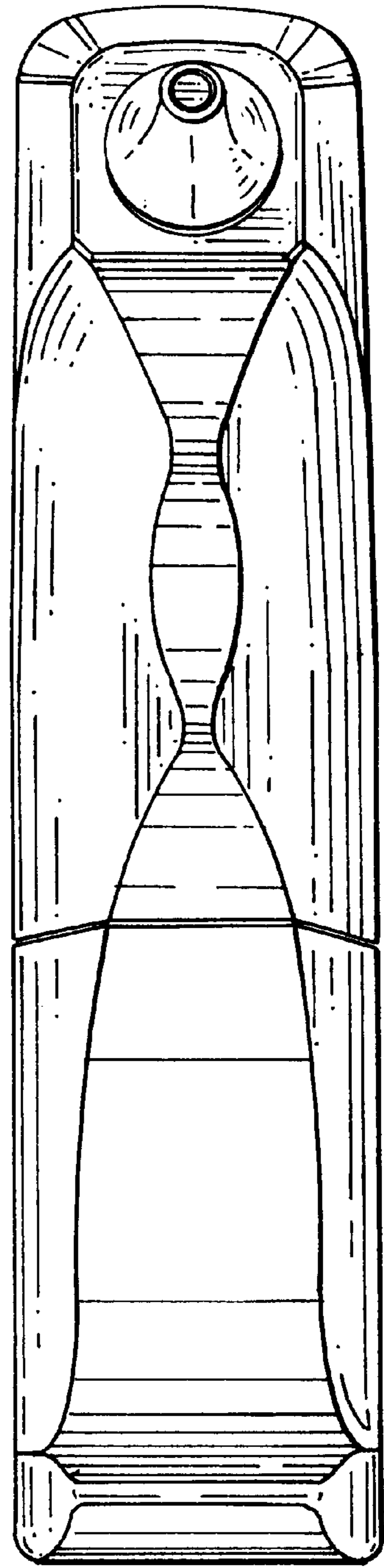


FIG. 3

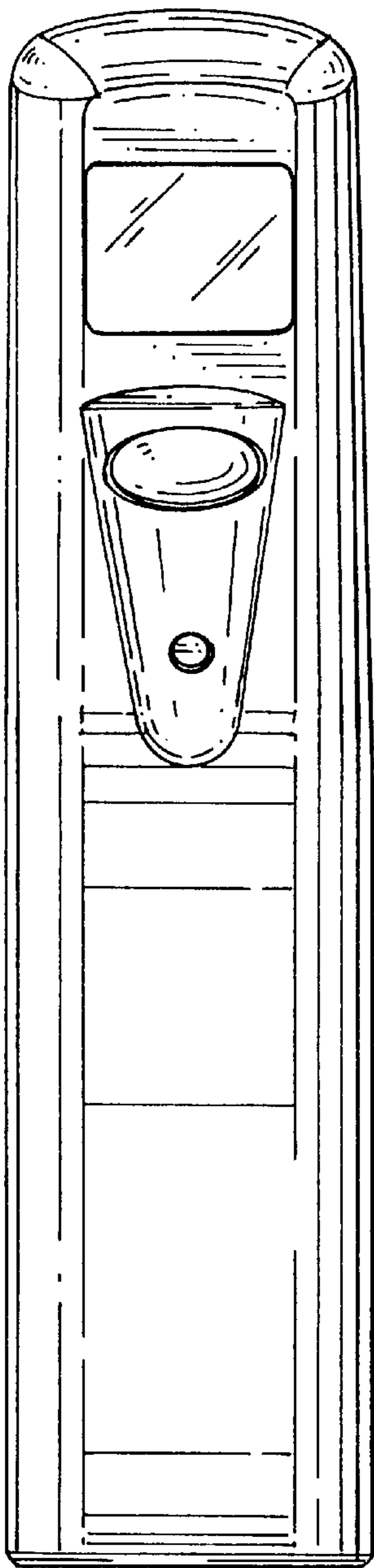


FIG. 4

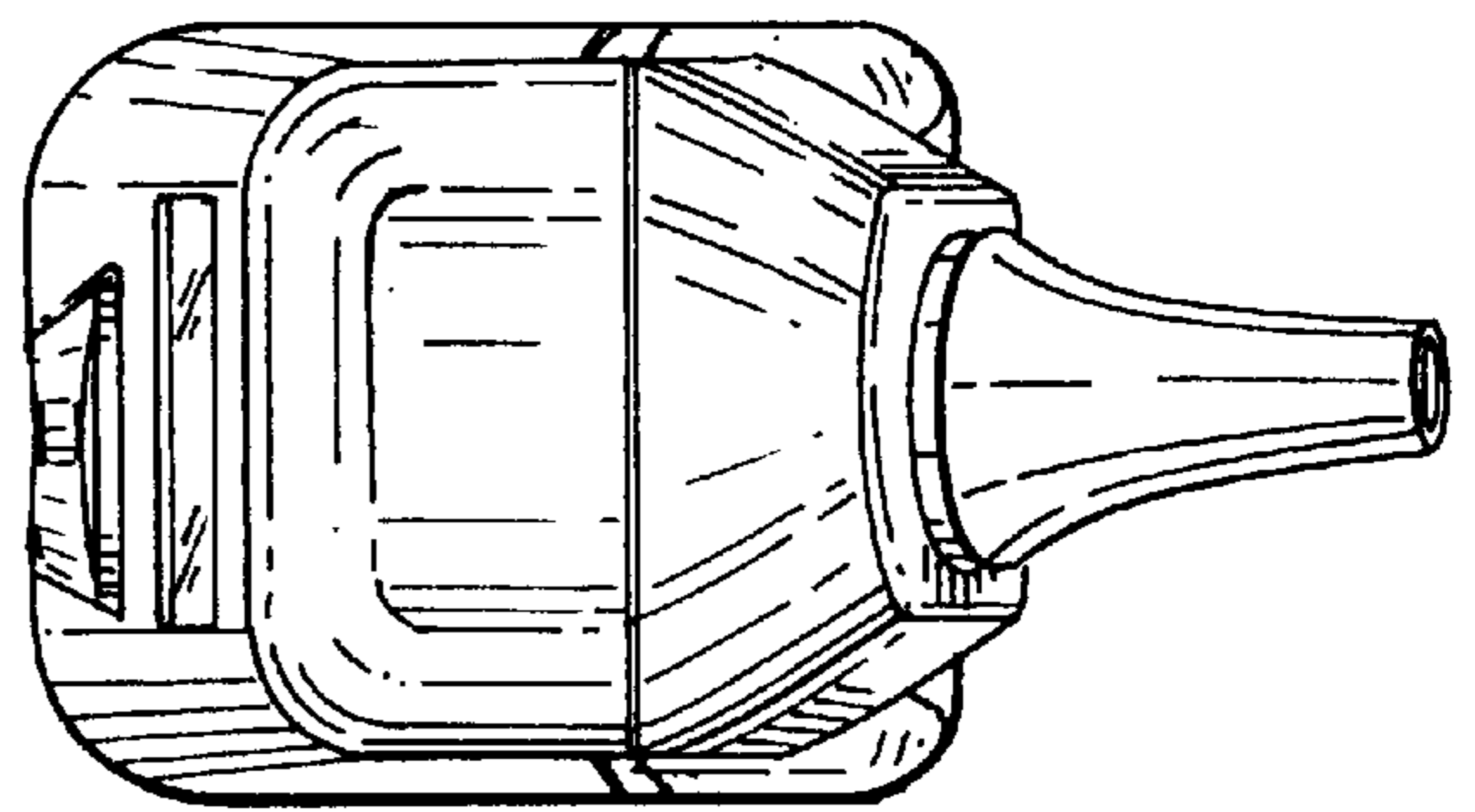


FIG. 5

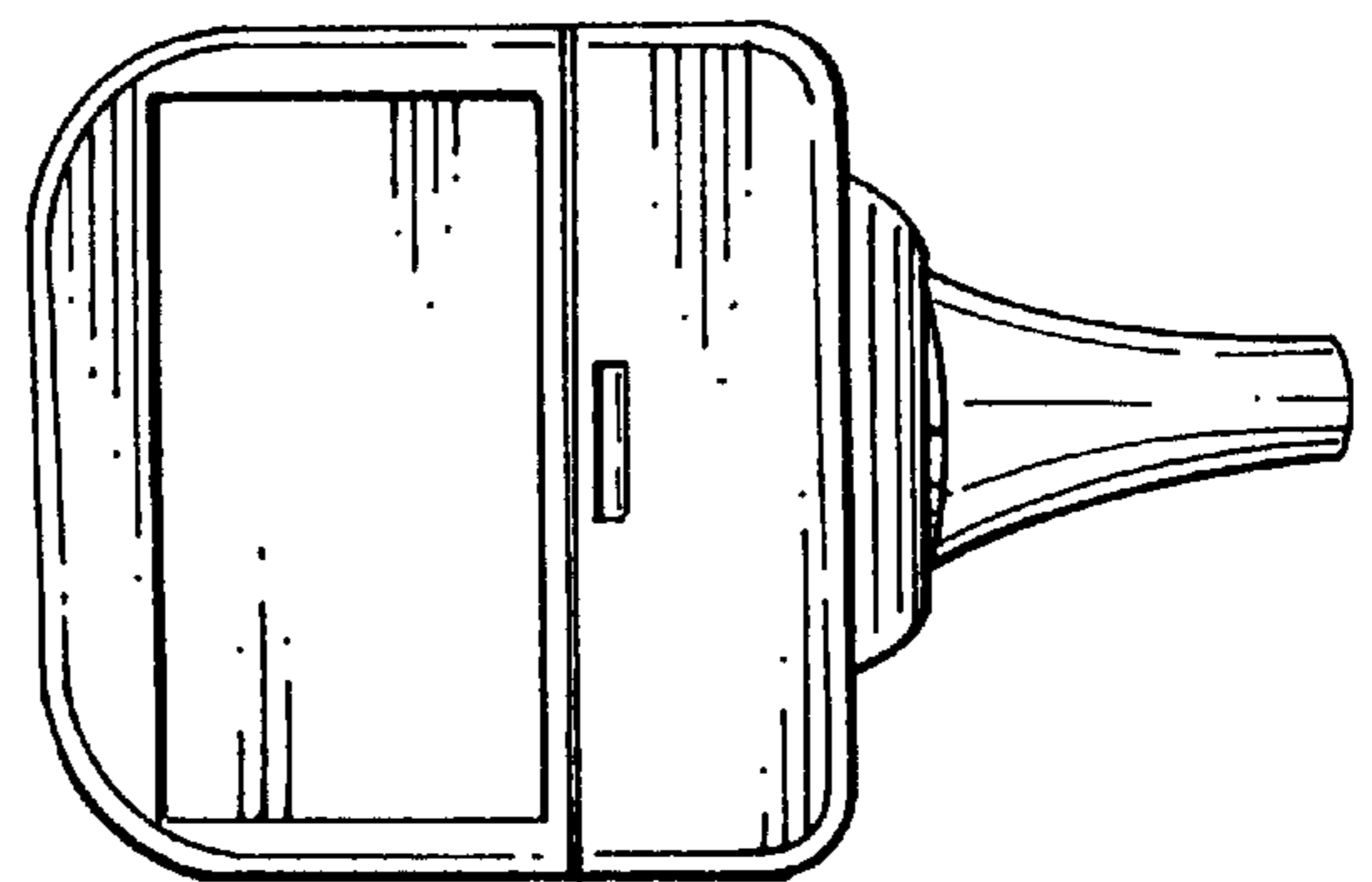


FIG. 6