



US00D457430S

(12) **United States Design Patent**  
**Wright et al.**

(10) **Patent No.:** **US D457,430 S**

(45) **Date of Patent:** **\*\* May 21, 2002**

(54) **PUMP ACTUATOR**

(75) Inventors: **Andrew Wright**, Norfolk; **Charles Greenaway**, London, both of (GB)

(73) Assignee: **Bespak, PLC** (GB)

(\*\*) Term: **14 Years**

(21) Appl. No.: **29/140,376**

(22) Filed: **Apr. 18, 2001**

(30) **Foreign Application Priority Data**

Oct. 18, 2000 (GB) ..... 2096740

(51) **LOC (7) Cl.** ..... **09-07**

(52) **U.S. Cl.** ..... **D9/448**

(58) **Field of Search** ..... D29/300, 435,  
D29/448; 222/506, 153.14, 402.13, 153,  
402.11, 534, 535-537, 538

(56) **References Cited**

**U.S. PATENT DOCUMENTS**

D186,860 S \* 12/1959 Speaker ..... D9/448

3,323,695 A \* 6/1967 Monahon ..... 222/506  
3,873,005 A \* 3/1975 Hazard ..... 222/153.14  
D355,845 S \* 2/1995 Wass ..... D9/448  
D404,305 S \* 1/1999 De Baschmakoff ..... D9/449

\* cited by examiner

*Primary Examiner*—Dominic Simone

(74) *Attorney, Agent, or Firm*—Smith, Gambrell & Russell, LLP

(57) **CLAIM**

The ornamental design for a pump actuator, as shown and described.

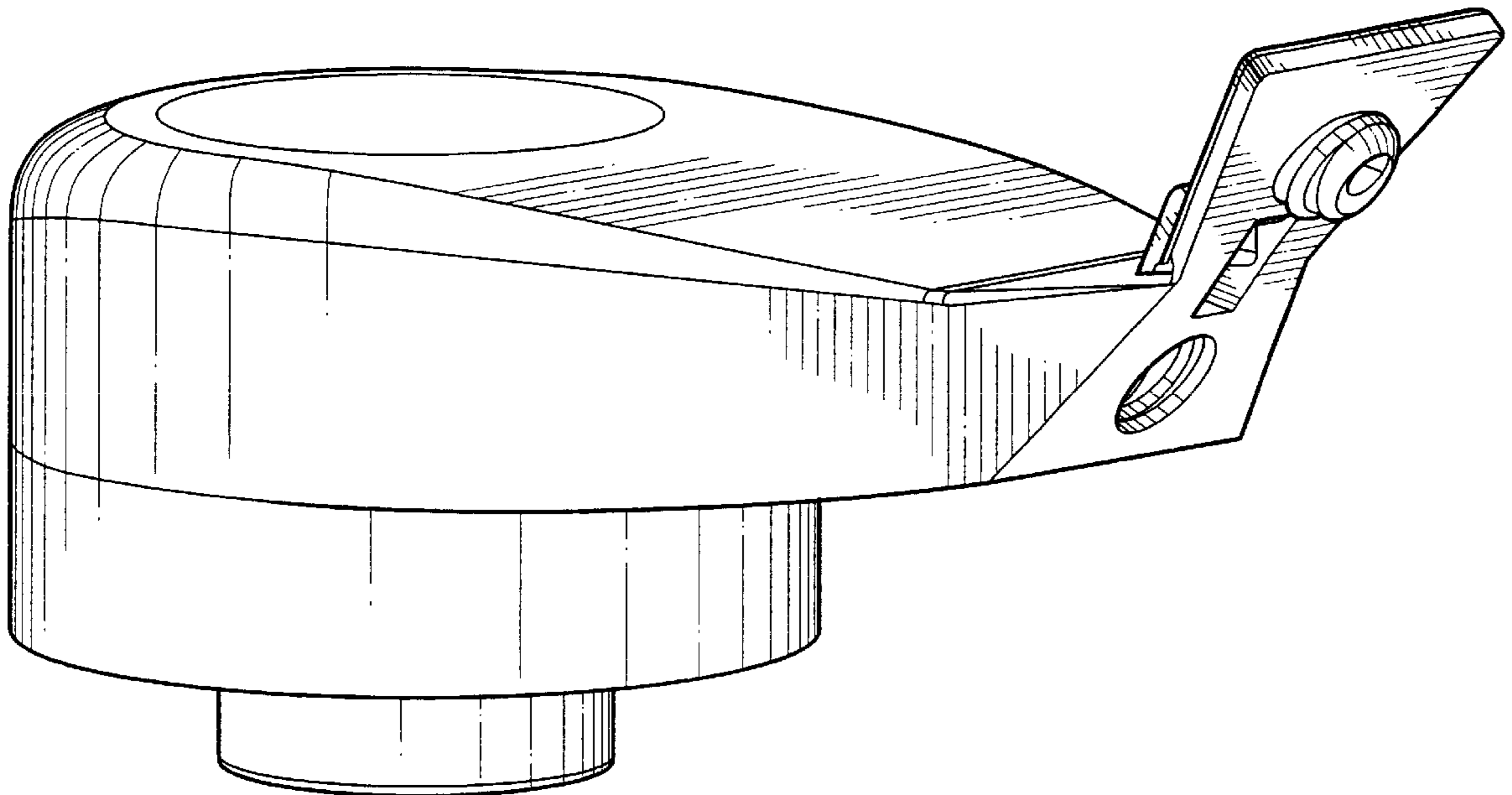
**DESCRIPTION**

FIG. 1 shows a perspective view from a first angle thereof; and,

FIG. 2 shows a perspective view from a second angle.

The bottom of the pump actuator forms no part of the claimed invention.

**1 Claim, 2 Drawing Sheets**



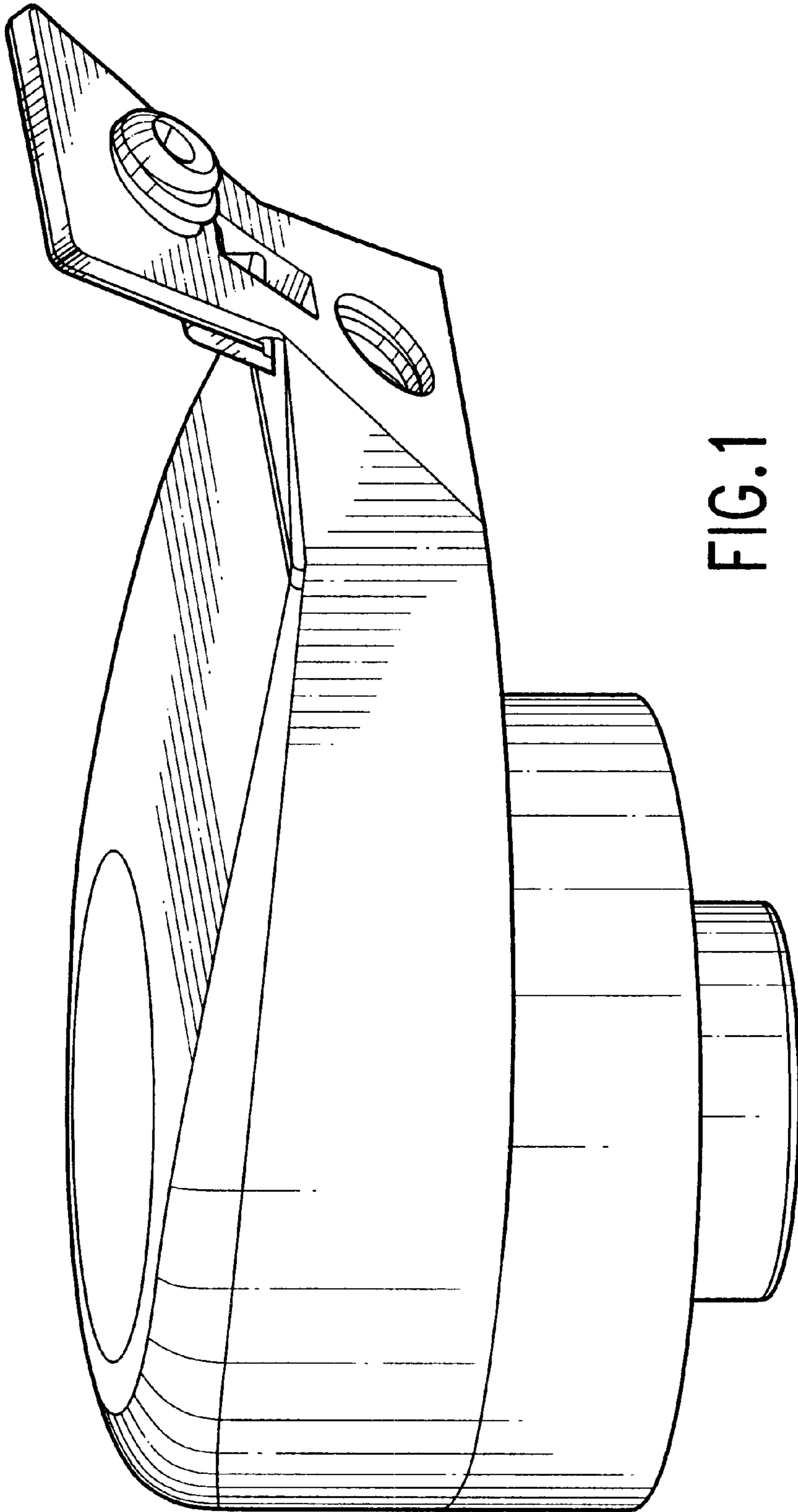


FIG. 1

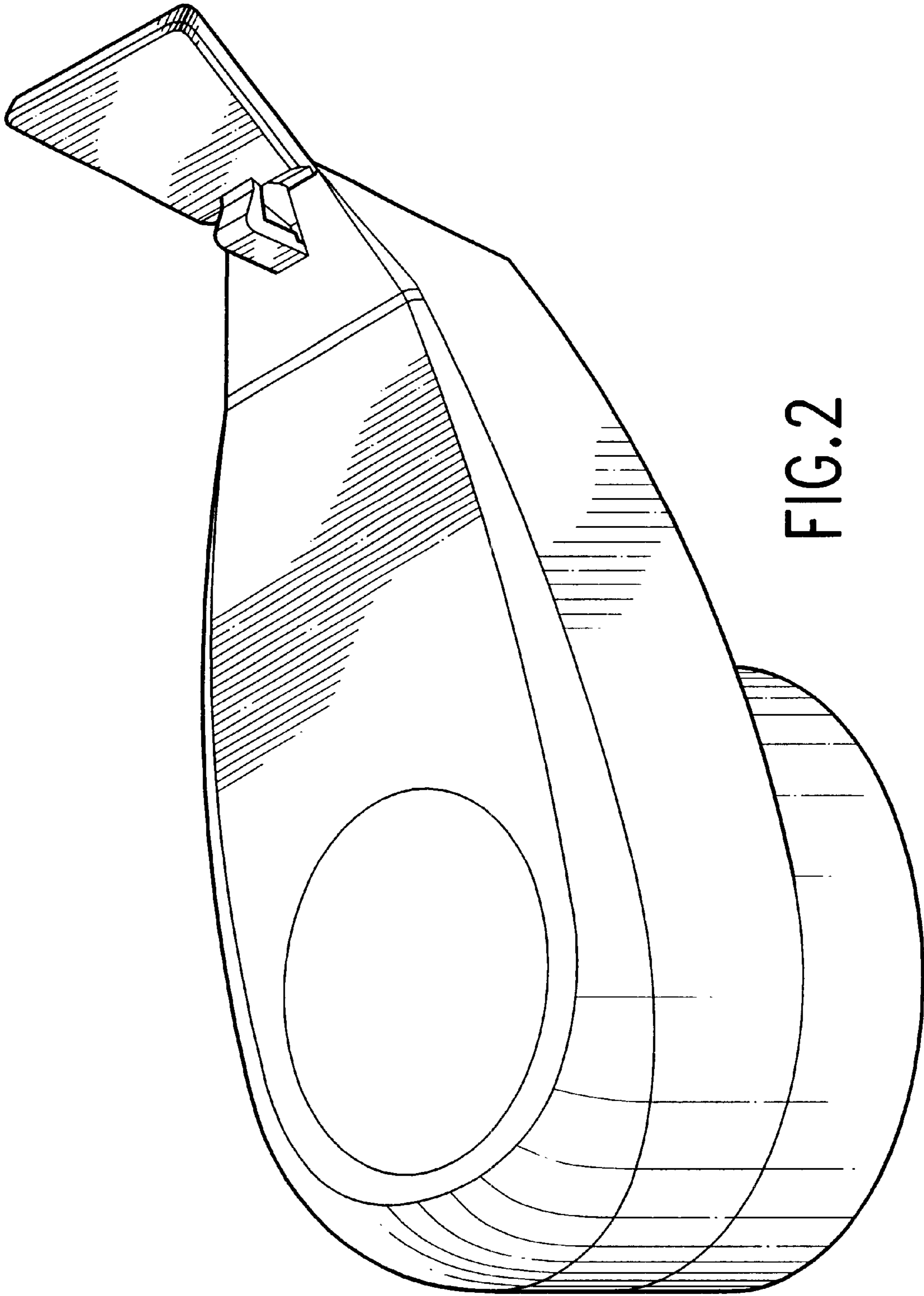


FIG. 2