

US00D457428S

(12) **United States Design Patent**  
**Fowler et al.**

(10) **Patent No.:** **US D457,428 S**

(45) **Date of Patent:** **\*\* \*May 21, 2002**

(54) **CONTAINER**

(75) Inventors: **John Ward Fowler**, Corbridge; **Steven Frederick Kelsey**, London; **Gerrard Michael O'Brien**, Rickmansworth, all of (GB)

(73) Assignee: **The Procter & Gamble Company**, Cincinnati, OH (US)

(\* ) Notice: This patent is subject to a terminal disclaimer.

(\*\*) Term: **14 Years**

(21) Appl. No.: **29/095,943**

(22) Filed: **Nov. 2, 1998**

(51) **LOC (7) Cl.** ..... **09-03**

(52) **U.S. Cl.** ..... **D9/424**

(58) **Field of Search** ..... D9/414, 415, 418, D9/424, 428, 430, 337; 206/303, 457, 458, 407, 527, 822; 220/213, 252, 253, 8; 229/116.1, 108, 23, 137, 127, 129, 129.1, 130, 922, 4.5, 800, 5.5, 406

(56) **References Cited**

**U.S. PATENT DOCUMENTS**

2,481,302 A \* 9/1949 Fogel ..... 220/213  
3,089,590 A \* 5/1963 Mell ..... 206/822  
D251,227 S 3/1979 Mathison et al. .... D7/37

4,164,588 A 8/1979 Johnson ..... 426/135  
4,474,324 A \* 10/1984 Forbes, Jr. .... 220/8  
4,860,892 A \* 8/1989 Roberts et al. .... 220/8  
D312,968 S 12/1990 Wolff ..... D9/431  
5,209,345 A \* 5/1993 Haugabook ..... 206/457  
D336,240 S \* 6/1993 Castaldo ..... D9/414  
D347,169 S \* 5/1994 Bezzerides et al. .... D9/414  
D356,496 S 3/1995 Fox ..... D9/431  
D362,801 S 10/1995 Milroy ..... D9/347  
D395,824 S \* 7/1998 Durlfat ..... D9/430  
5,894,914 A \* 4/1999 Jubin ..... 220/213

\* cited by examiner

*Primary Examiner*—Prabhakar Deshmukh

(74) *Attorney, Agent, or Firm*—Paul M. Ulrich

(57) **CLAIM**

The ornamental design for a container, as shown and described.

**DESCRIPTION**

FIG. 1 is a right side elevational view of a container, embodying our new design, with the left side elevational view thereof being the same;

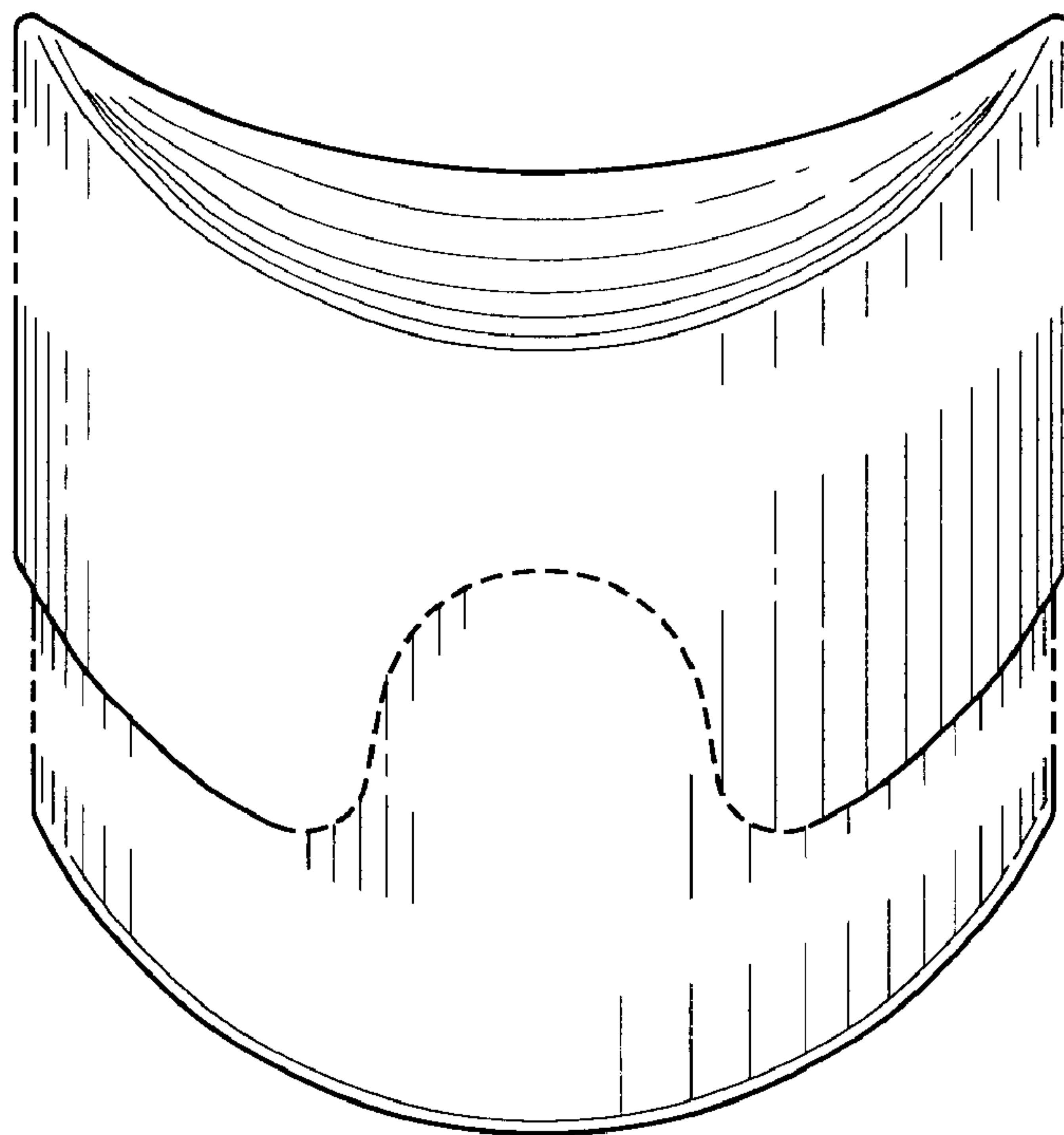
FIG. 2 is a front elevational view thereof, with the back elevational view thereof being the same;

FIG. 3 is a top plan view thereof; and,

FIG. 4 is a bottom plan view thereof.

The portions shown in broken lines are not part of the claimed design.

**1 Claim, 1 Drawing Sheet**



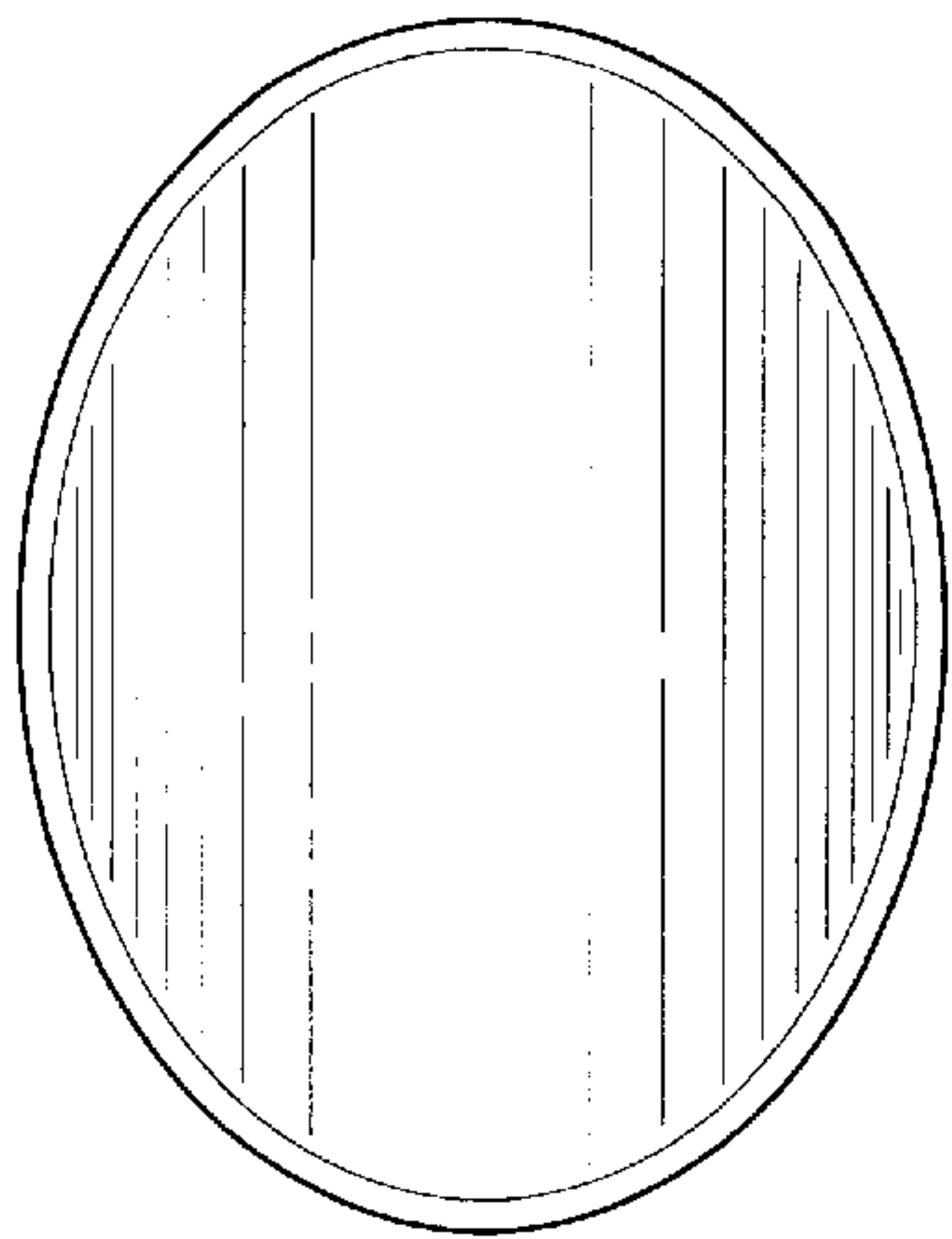


Fig. 3

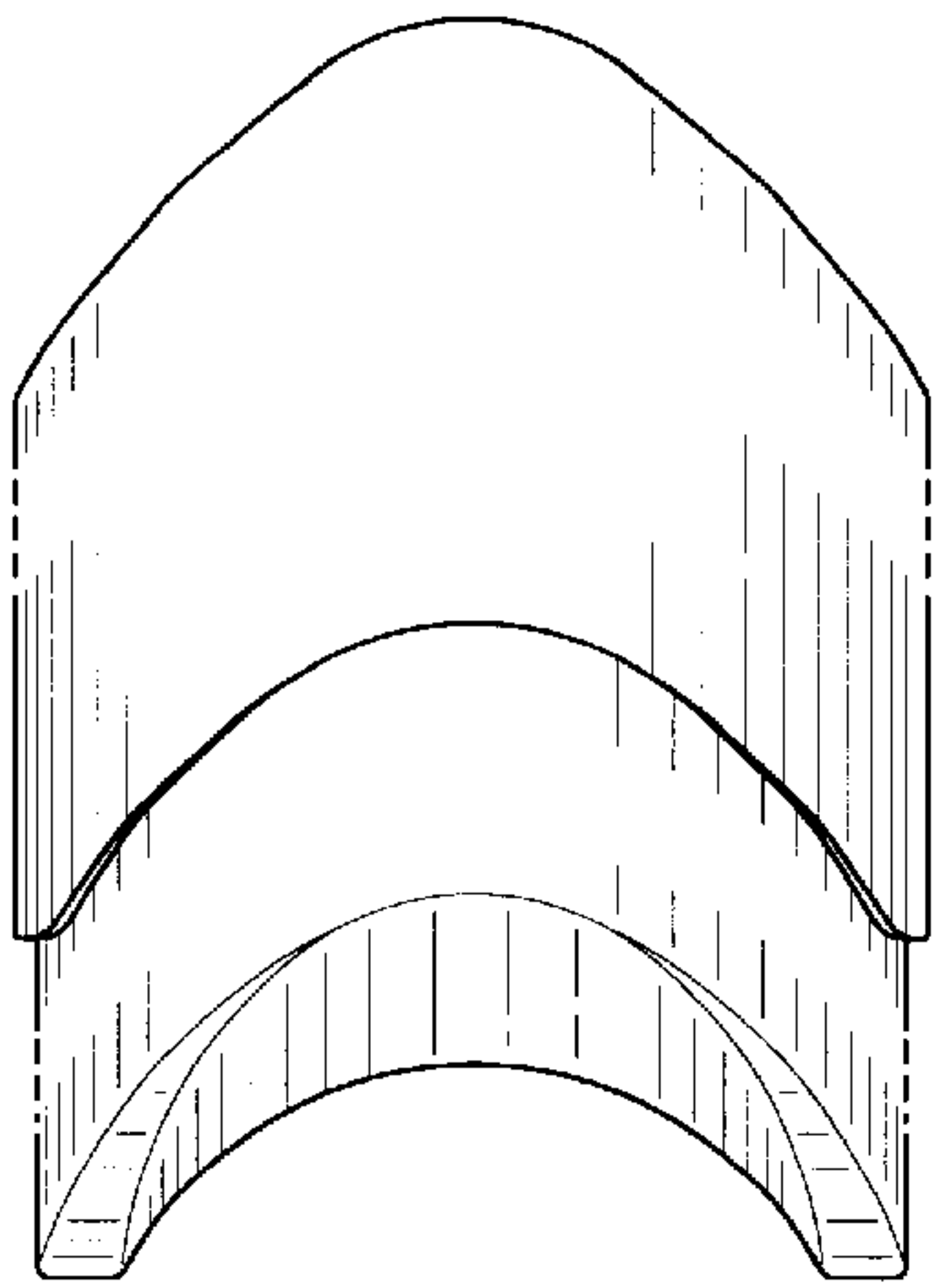


Fig. 2

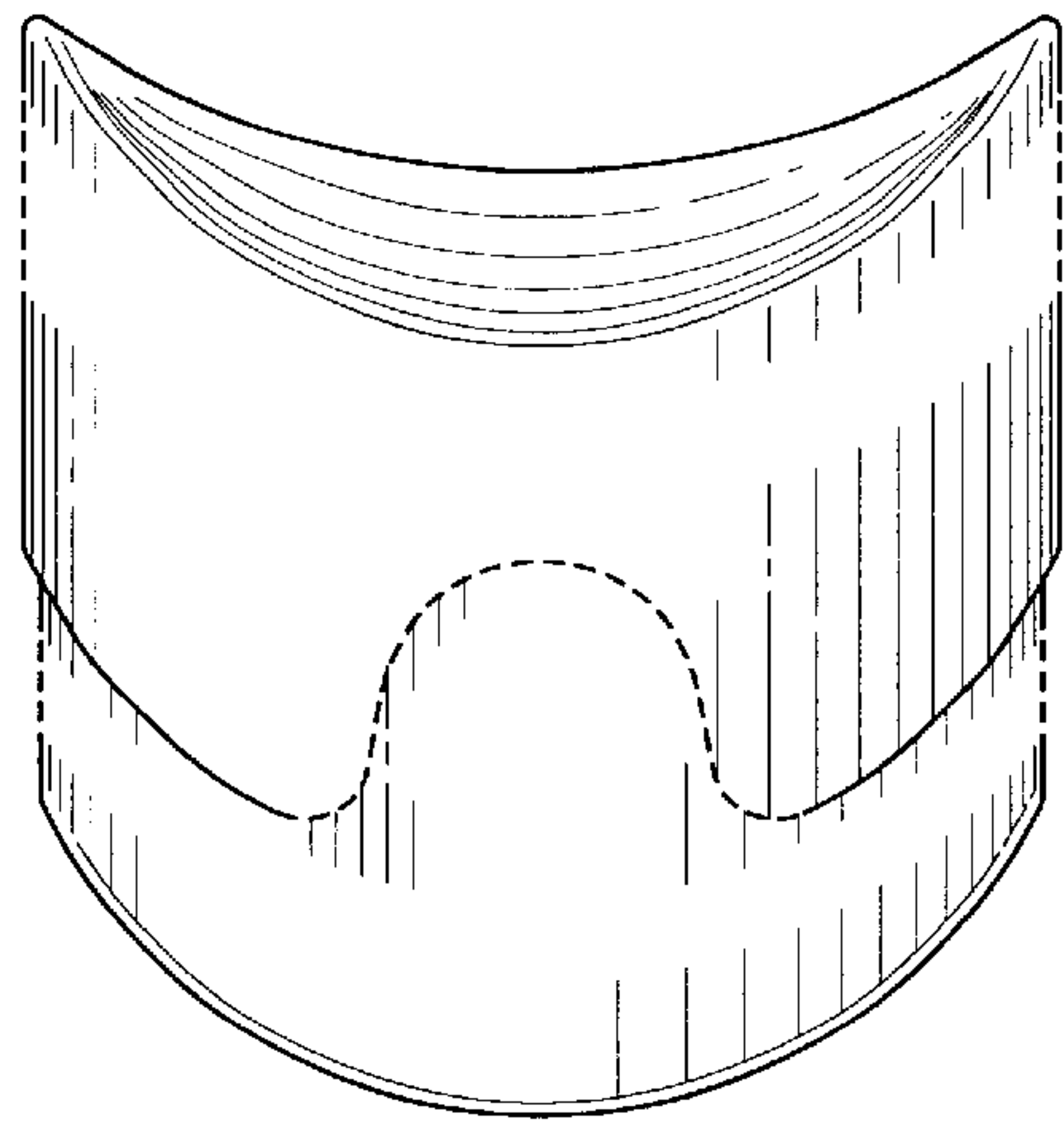


Fig. 1

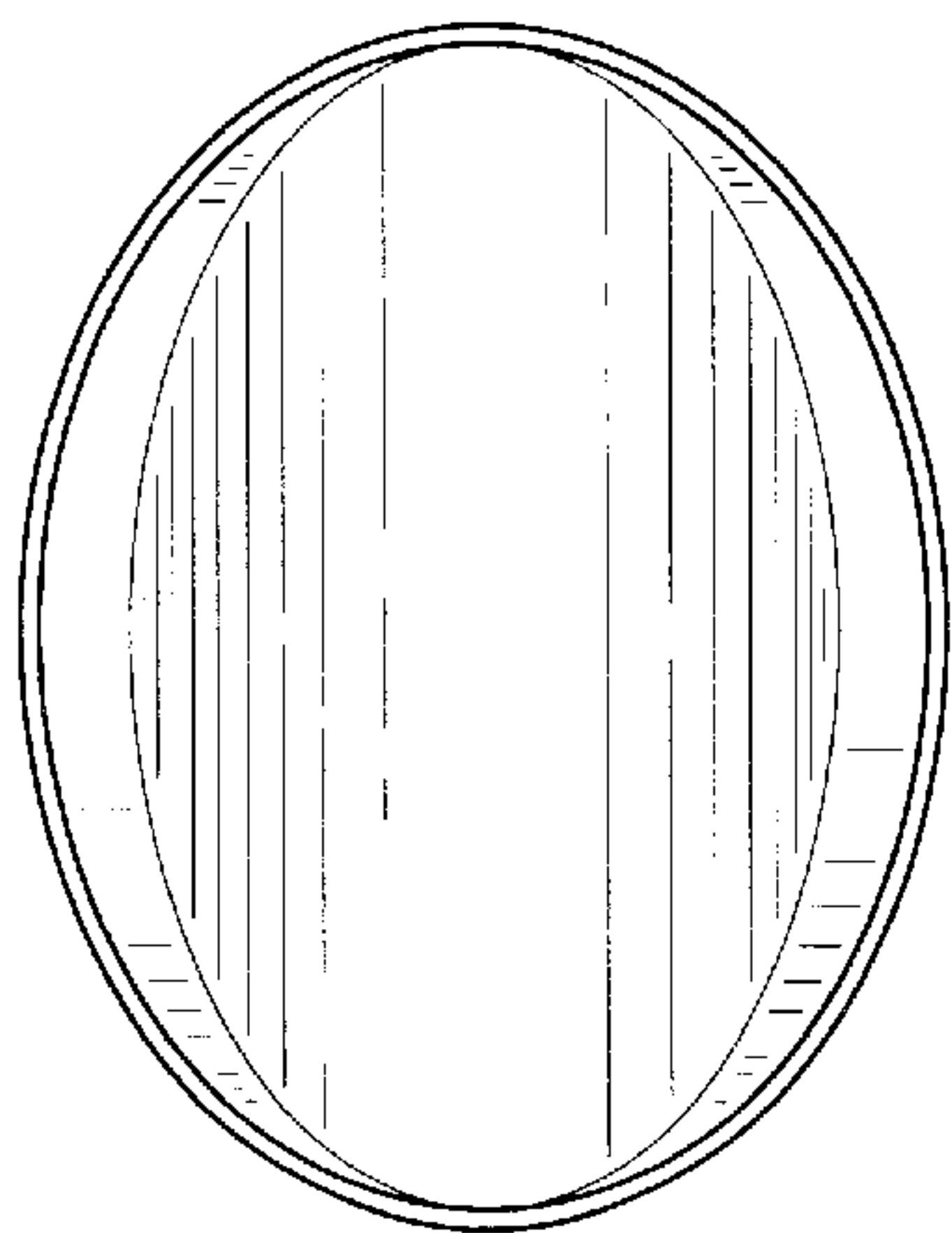


Fig. 4