



US00D457427S

(12) **United States Design Patent**
Diaz

(10) **Patent No.:** **US D457,427 S**

(45) **Date of Patent:** **** May 21, 2002**

(54) **COMBINED CHEWING GUM BOX AND CLIP**

(76) **Inventor:** **Cindy L. Diaz**, 6742 S. 2300 East,
SLC, UT (US) 84121

(**) **Term:** **14 Years**

(21) **Appl. No.:** **29/147,323**

(22) **Filed:** **Aug. 27, 2001**

Related U.S. Application Data

(62) Division of application No. 29/128,251, filed on Aug. 22,
2000, now Pat. No. Des. 449,782.

(51) **LOC (7) Cl.** **09-03**

(52) **U.S. Cl.** **D9/423**

(58) **Field of Search** D9/420-424, 432,
D9/414, 337, 417; D27/186-189, 172; 206/265,
268, 270, 800, 530, 533; 229/160.1, 87.07,
406, 800, 182.1; D3/328, 294; 224/901.2,
269

(56) **References Cited**

U.S. PATENT DOCUMENTS

969,329 A * 9/1910 Blake 206/38

2,988,209 A * 6/1961 Parrilla 206/800 X
4,538,731 A * 9/1985 Cillario 206/540
4,948,038 A * 8/1990 Moeller 229/160.1
5,353,956 A * 10/1994 Wilson 206/800 X
D364,344 S * 11/1995 Shaw D9/421
5,636,732 A * 6/1997 Gilels et al. 206/800 X
D386,001 S * 11/1997 Saffran D9/423
D397,247 S * 8/1998 Gardner et al. D9/417

* cited by examiner

Primary Examiner—Prabhakar Deshmukh

(74) *Attorney, Agent, or Firm*—Brian C. Trask

(57) **CLAIM**

The ornamental design for a combined chewing gum box and clip, as shown and described.

DESCRIPTION

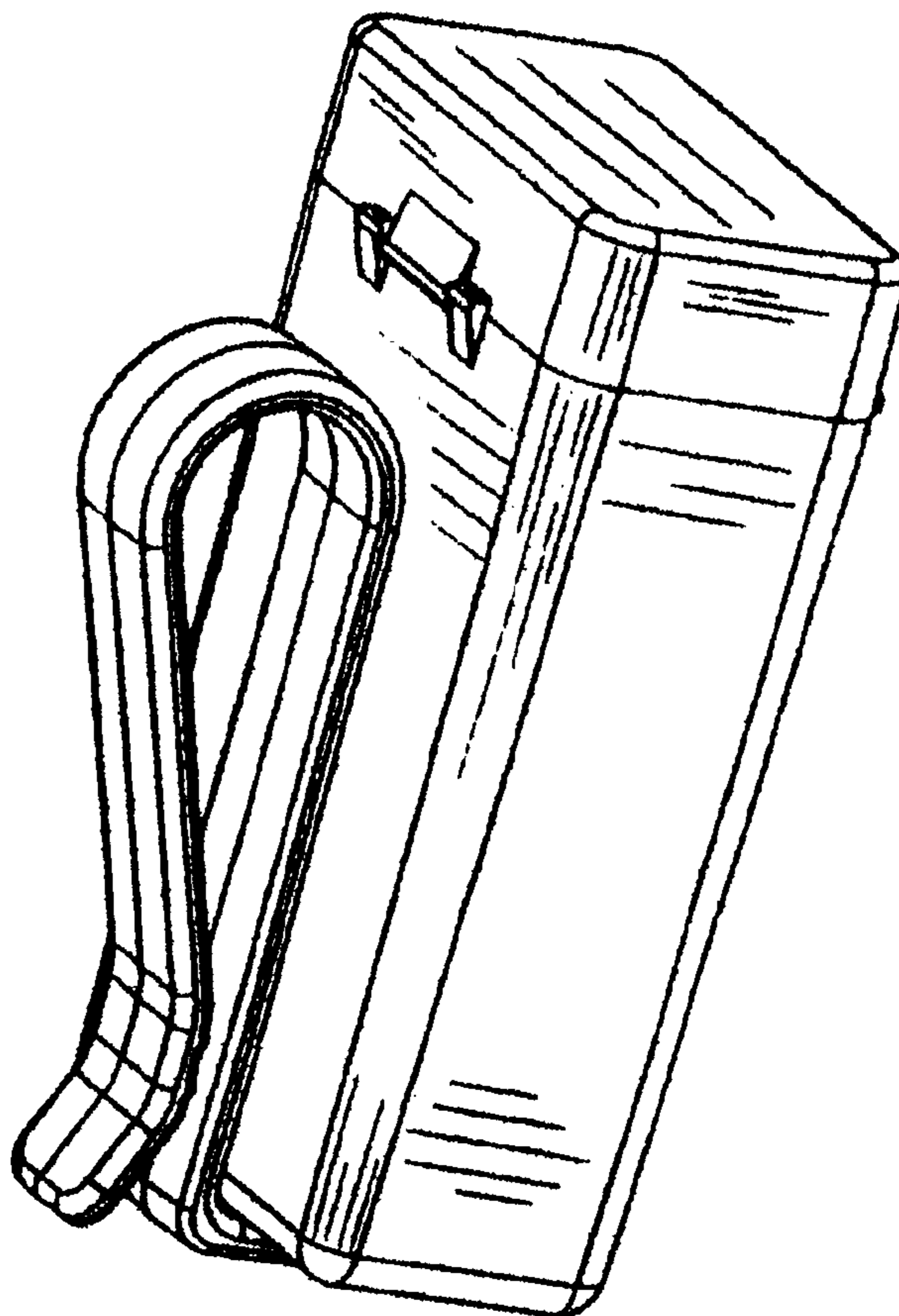
FIG. 1 is a top view of a combined chewing gum box and clip;

FIG. 2 is a front view of the embodiment of FIG. 1, but with the clip attached in an alternative orientation;

FIG. 3 is a side view of the embodiment of FIG. 1; and,

FIG. 4 is a perspective view of the embodiment of FIG. 1.

1 Claim, 1 Drawing Sheet



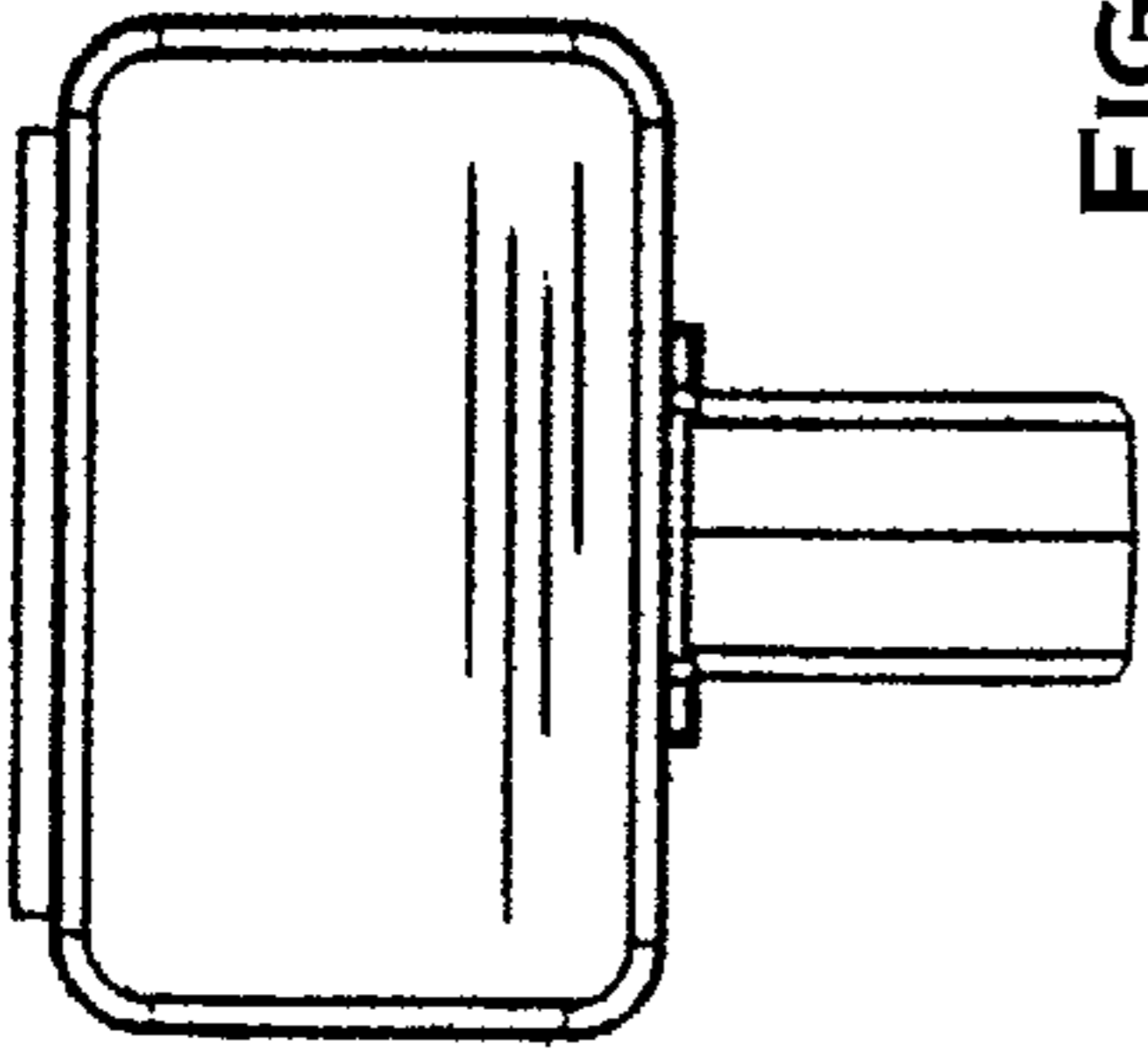


FIGURE 1

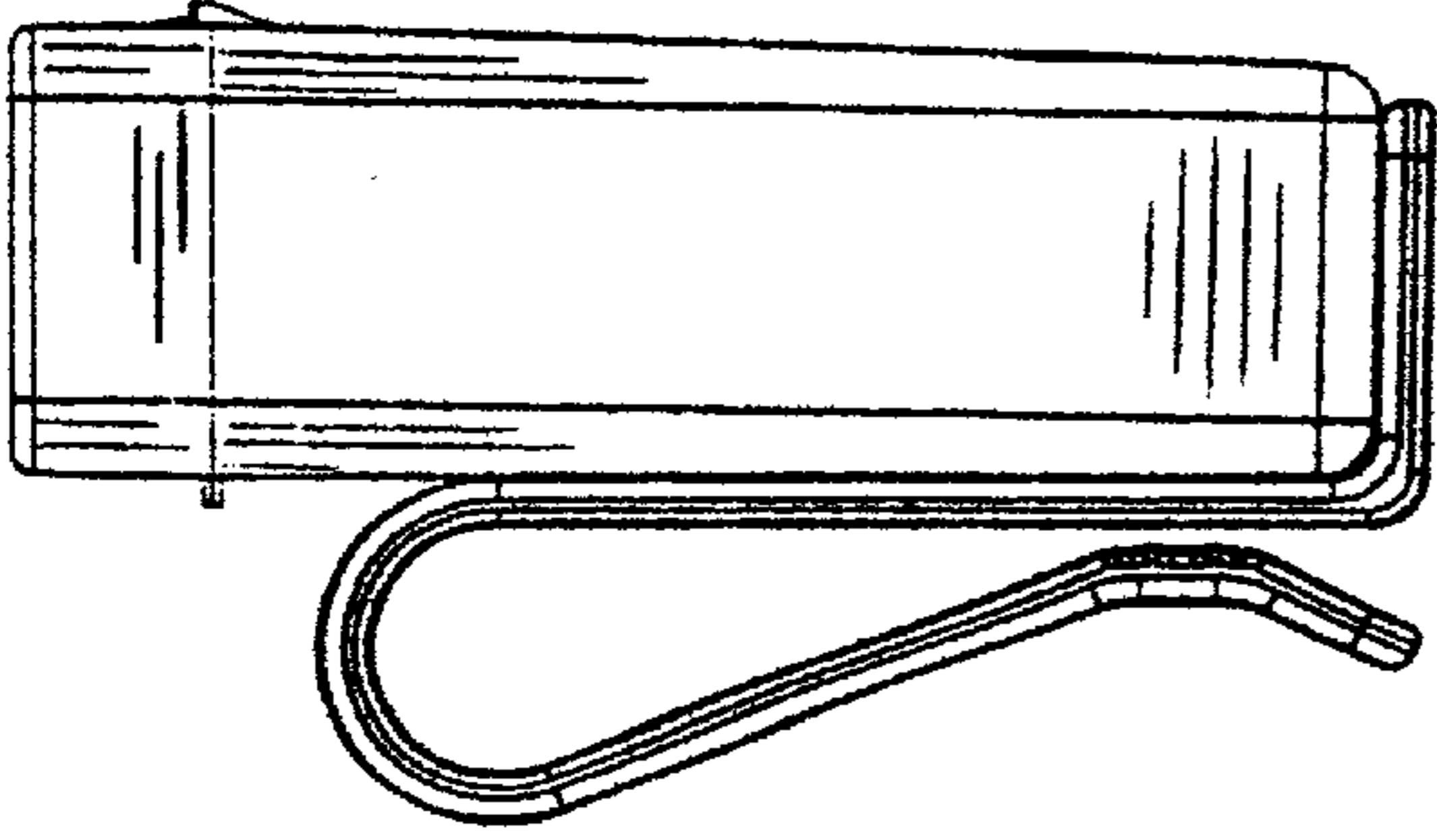


FIGURE 3

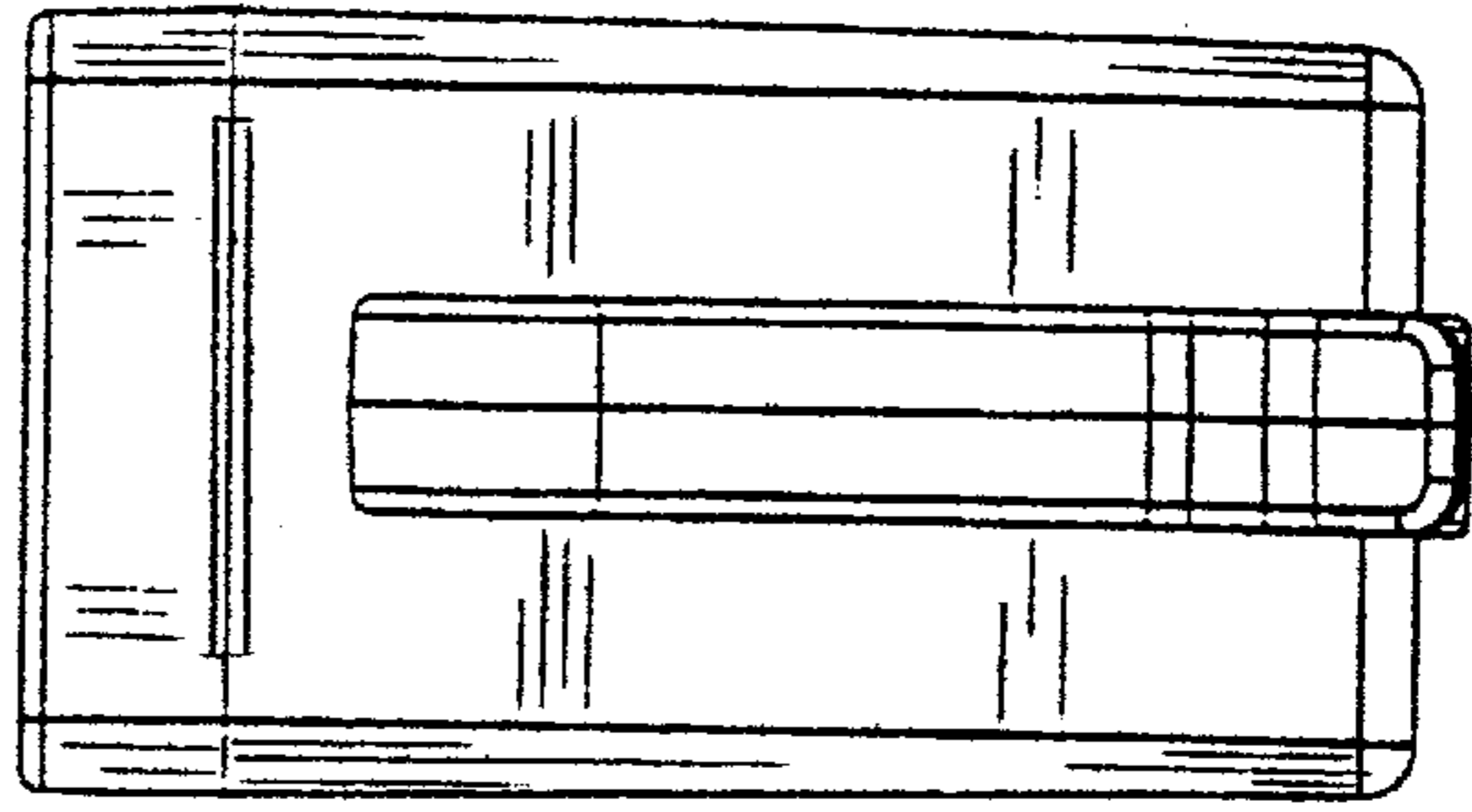


FIGURE 2

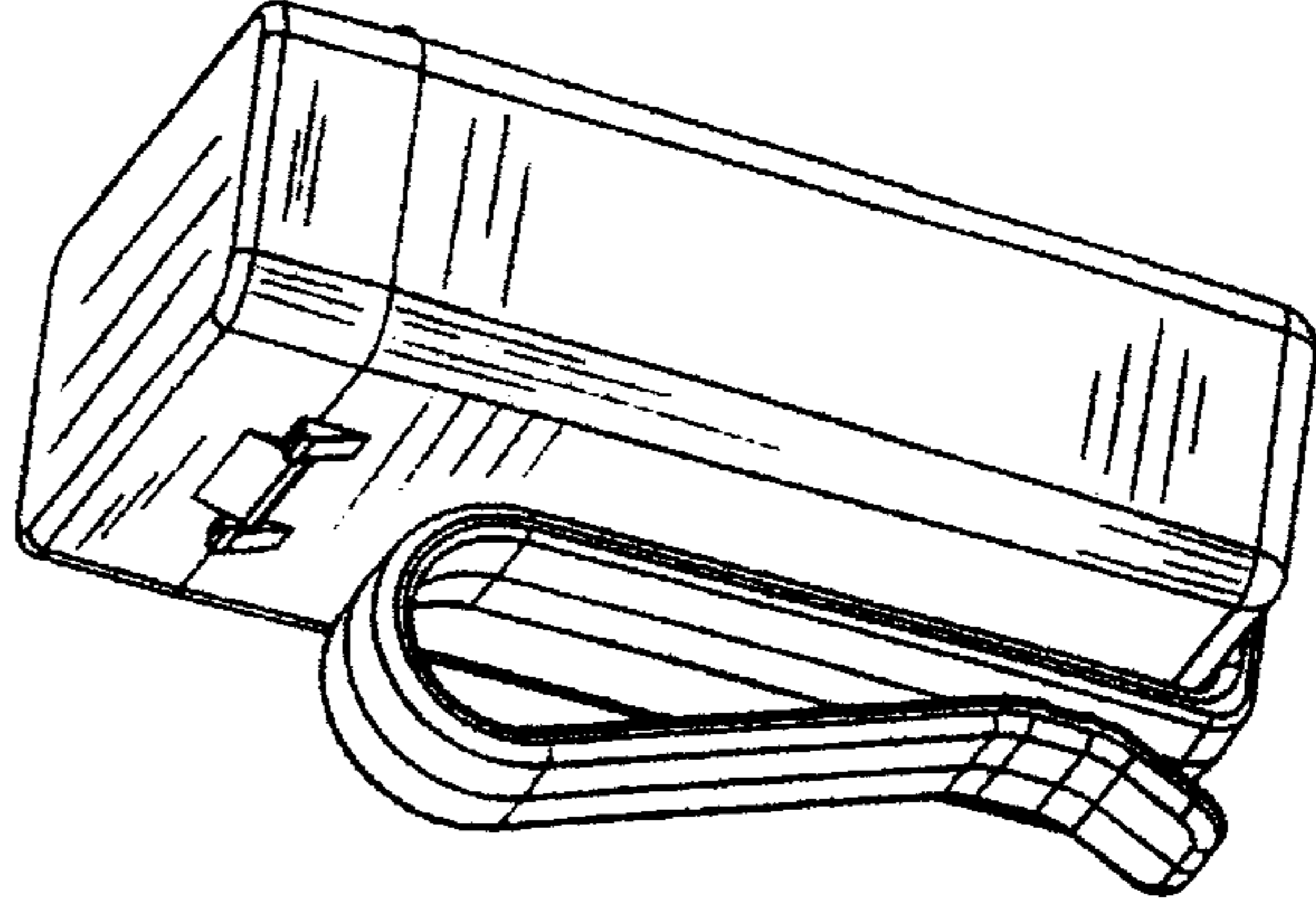


FIGURE 4