



US00D457426S

(12) **United States Design Patent**
Montana

(10) **Patent No.:** **US D457,426 S**

(45) **Date of Patent:** **** May 21, 2002**

(54) **DISPENSING CONTAINER**

(75) Inventor: **Shelly Montana, Orange, CA (US)**

(73) Assignee: **Giovanni Cosmetics, Carson, CA (US)**

(**) Term: **14 Years**

(21) Appl. No.: **29/133,744**

(22) Filed: **Dec. 6, 2000**

(51) **LOC (7) Cl.** **09-01**

(52) **U.S. Cl.** **D9/420; D9/431; D9/514;**
D9/529; D9/560

(58) **Field of Search** **D9/420, 431, 432,**
D9/338, 516, 529, 560, 573, 514, 515,
448, 449, 450; 215/235, 237, 6

(56) **References Cited**

U.S. PATENT DOCUMENTS

D60,205 S	*	1/1922	Abbott	D9/514
D176,226 S		11/1955	Morris		
3,362,591 A	*	1/1968	Latham et al.	D9/439
D214,554 S		7/1969	Oltman et al.		
D245,226 S		8/1977	Magowan		
D279,454 S	*	7/1985	Fleming	D9/529
D279,456 S	*	7/1985	Fortuna	D9/529
D294,804 S		3/1988	Lunderman et al.		
D302,385 S		7/1989	Weiler		
D302,659 S		8/1989	Peterson et al.		
D310,483 S		9/1990	DeGiovellina		
D314,139 S	*	1/1991	Ambasz	D9/523
D317,869 S		7/1991	Kipperman et al.		
5,252,312 A	*	10/1993	Gentile et al.	215/6

D347,389 S		5/1994	Crawford		
D351,105 S		10/1994	Grip		
D352,662 S		11/1994	McIlvain		
5,368,176 A	*	11/1994	Thanisch	215/235
D361,937 S	*	9/1995	Maxwell et al.	D9/529
5,482,172 A	*	1/1996	Braddock	215/235
D373,536 S		9/1996	Kokenge et al.		
D377,147 S		1/1997	Baron		
D424,448 S		5/2000	Weber		
D444,387 S	*	7/2001	Adachi et al.	D9/529

* cited by examiner

Primary Examiner—Ted Shooman

Assistant Examiner—Carol Rademaker

(74) *Attorney, Agent, or Firm*—Dowell & Dowell, P.C.

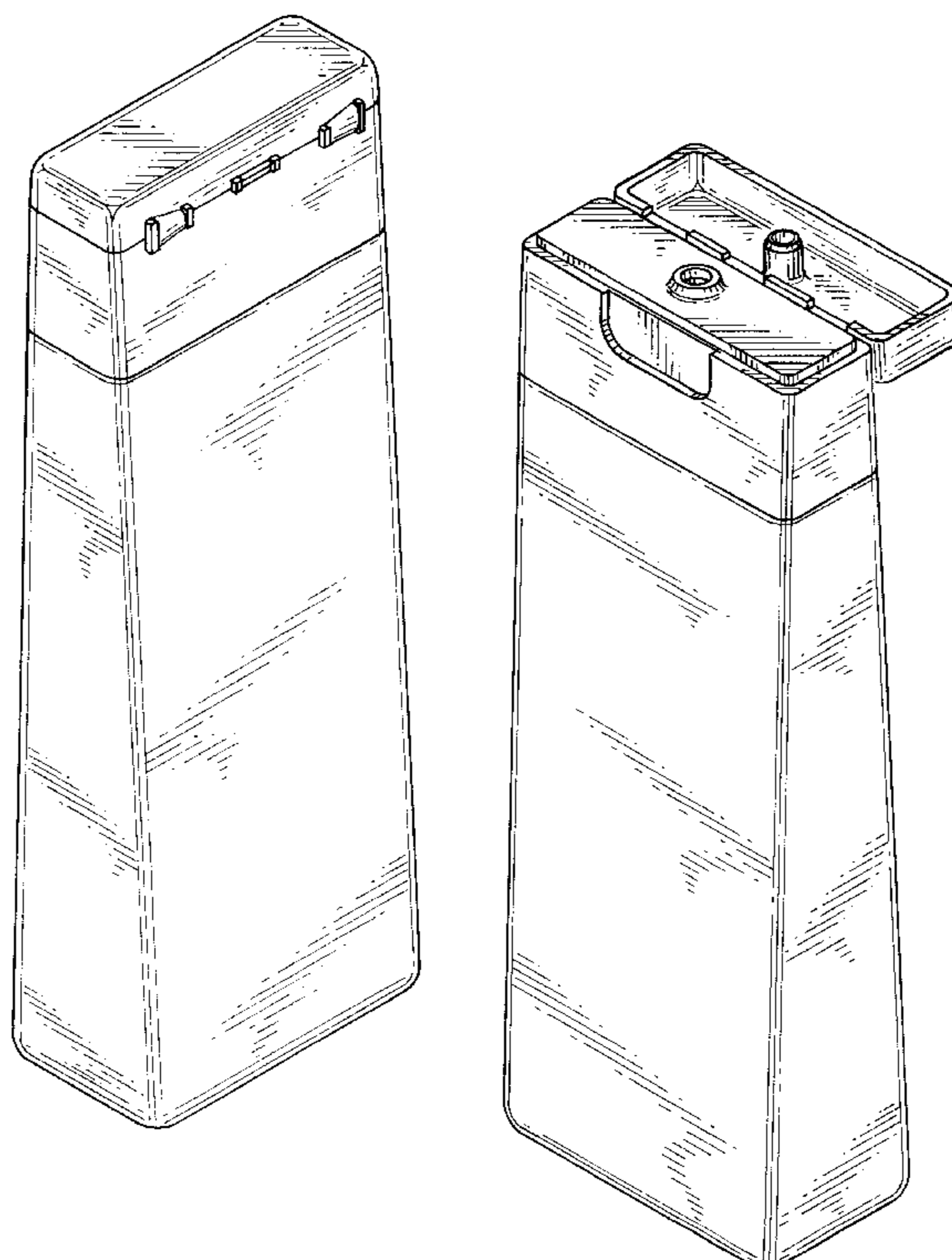
(57) **CLAIM**

The ornamental design for a dispensing container, as shown and described.

DESCRIPTION

FIG. 1 is a rear perspective view of a dispensing container showing my new design;
 FIG. 2 is a front perspective view of the container with the closure cap pivoted to an open position;
 FIG. 3 is front elevational view;
 FIG. 4 is a rear elevational view;
 FIG. 5 is a top plan view;
 FIG. 6 is a bottom plan view;
 FIG. 7 is a view taken from the right side; and,
 FIG. 8 is a view taken from the left side.

1 Claim, 3 Drawing Sheets



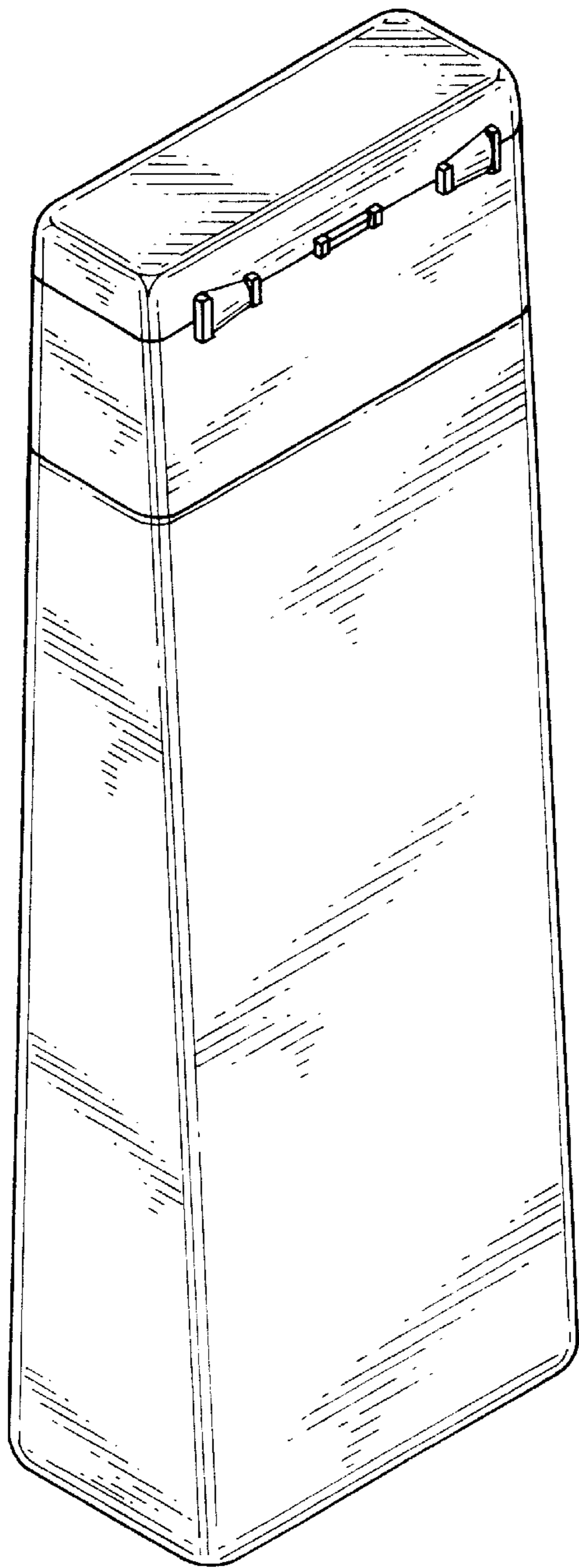


FIG. 1

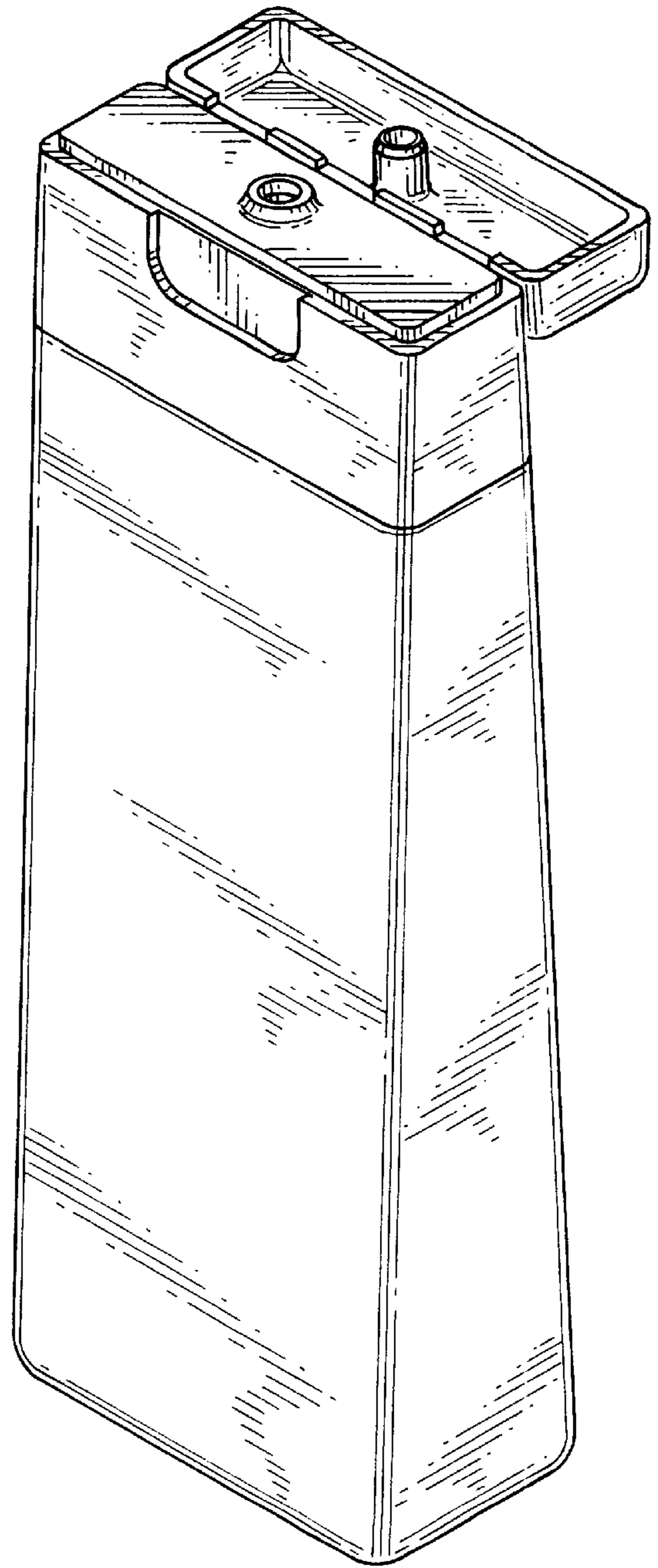


FIG. 2

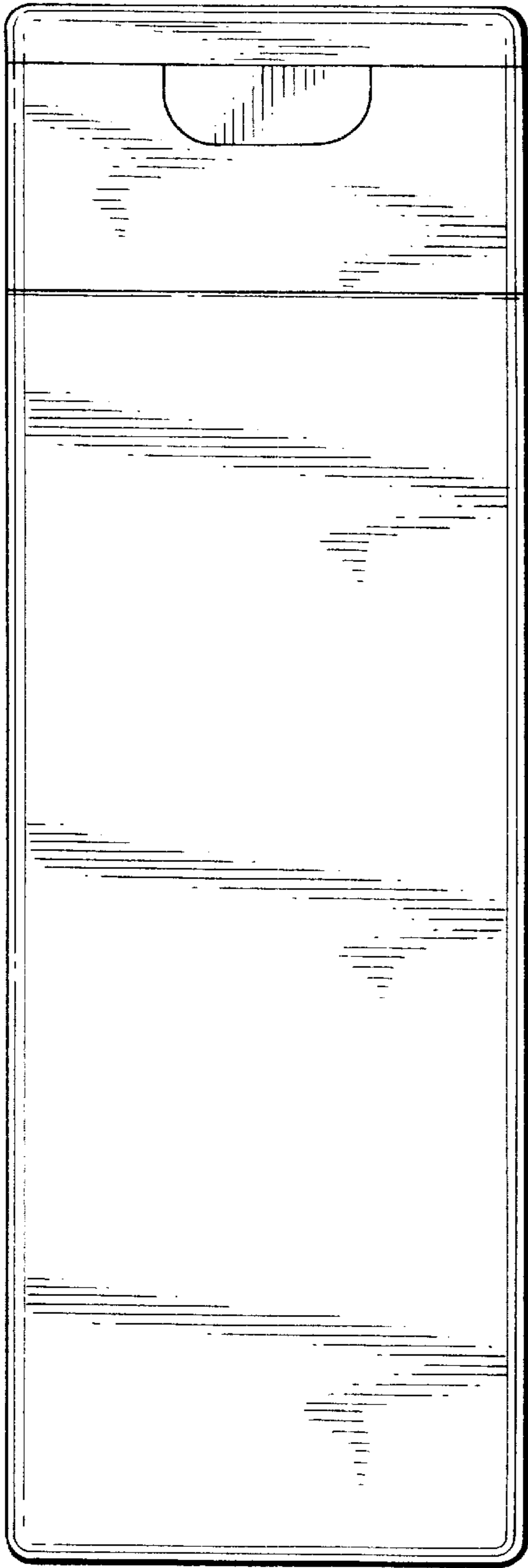


FIG. 3

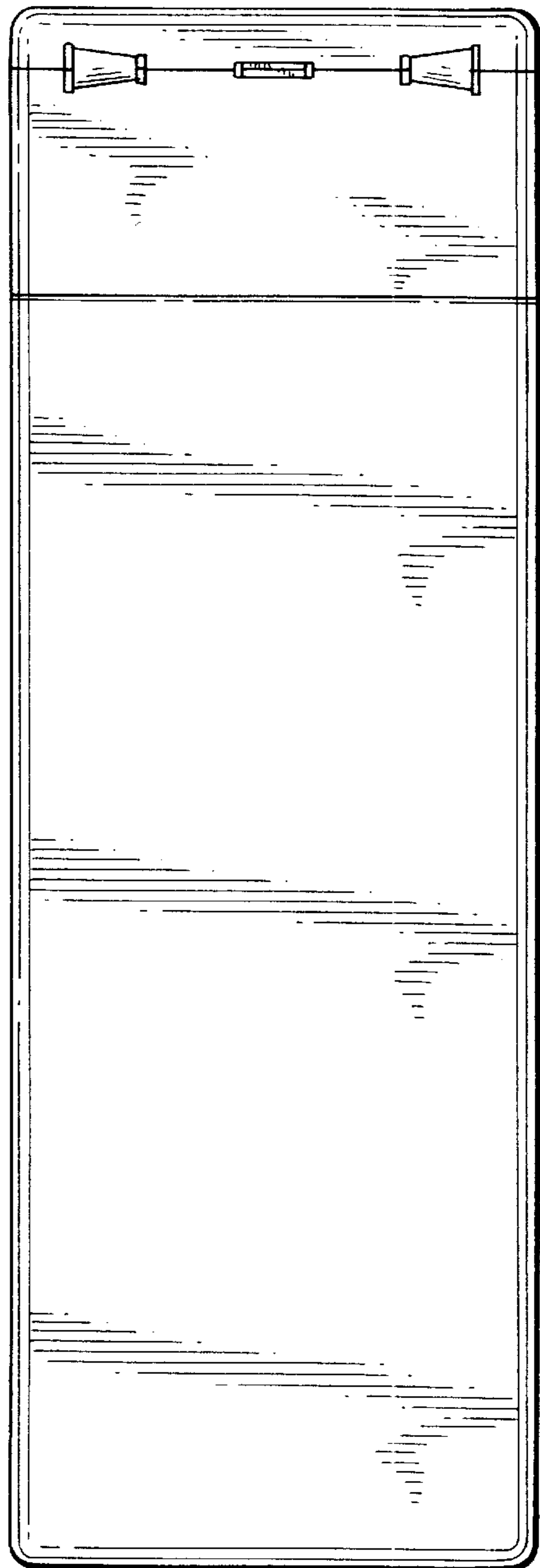


FIG. 4

FIG. 5

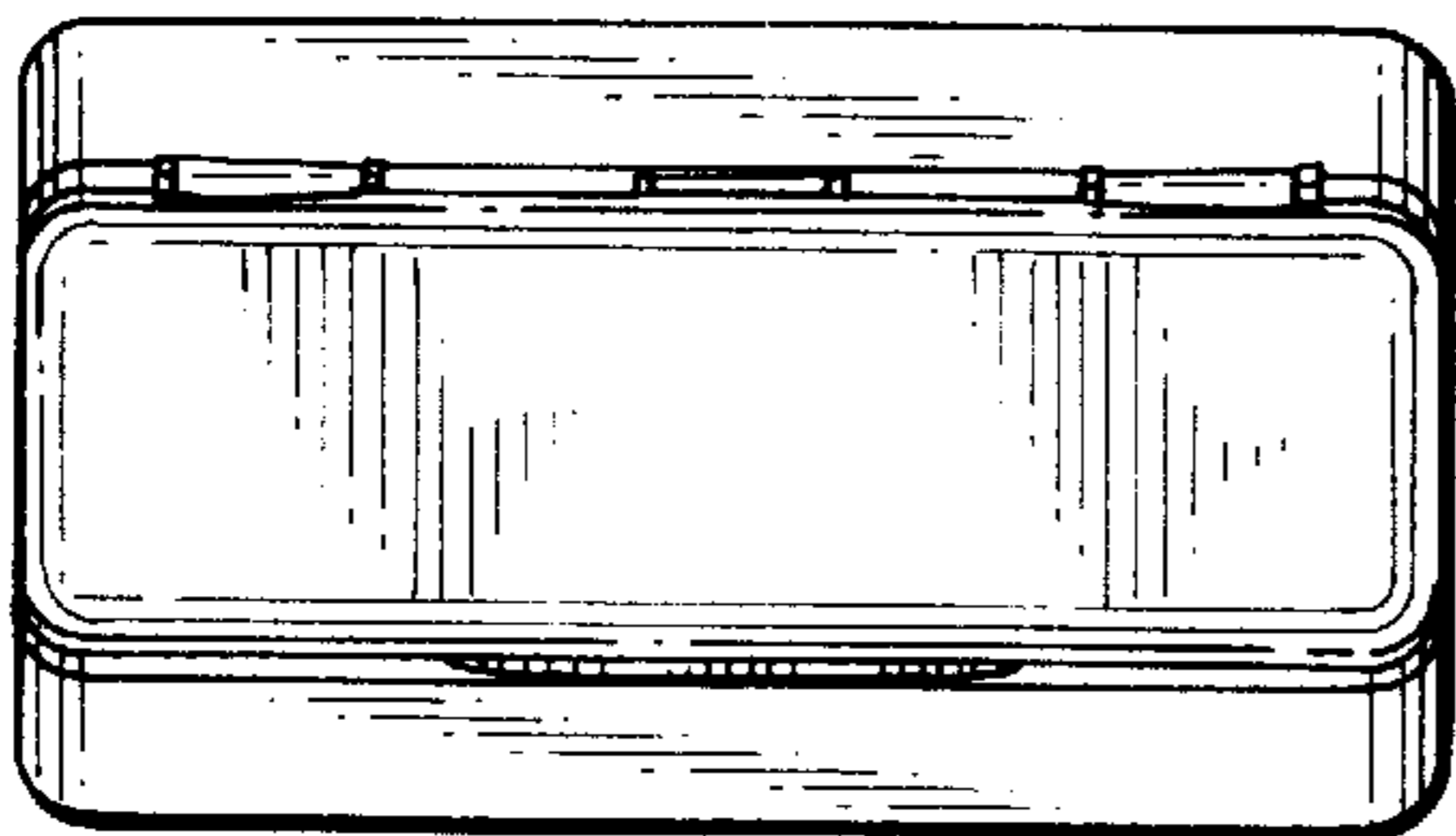
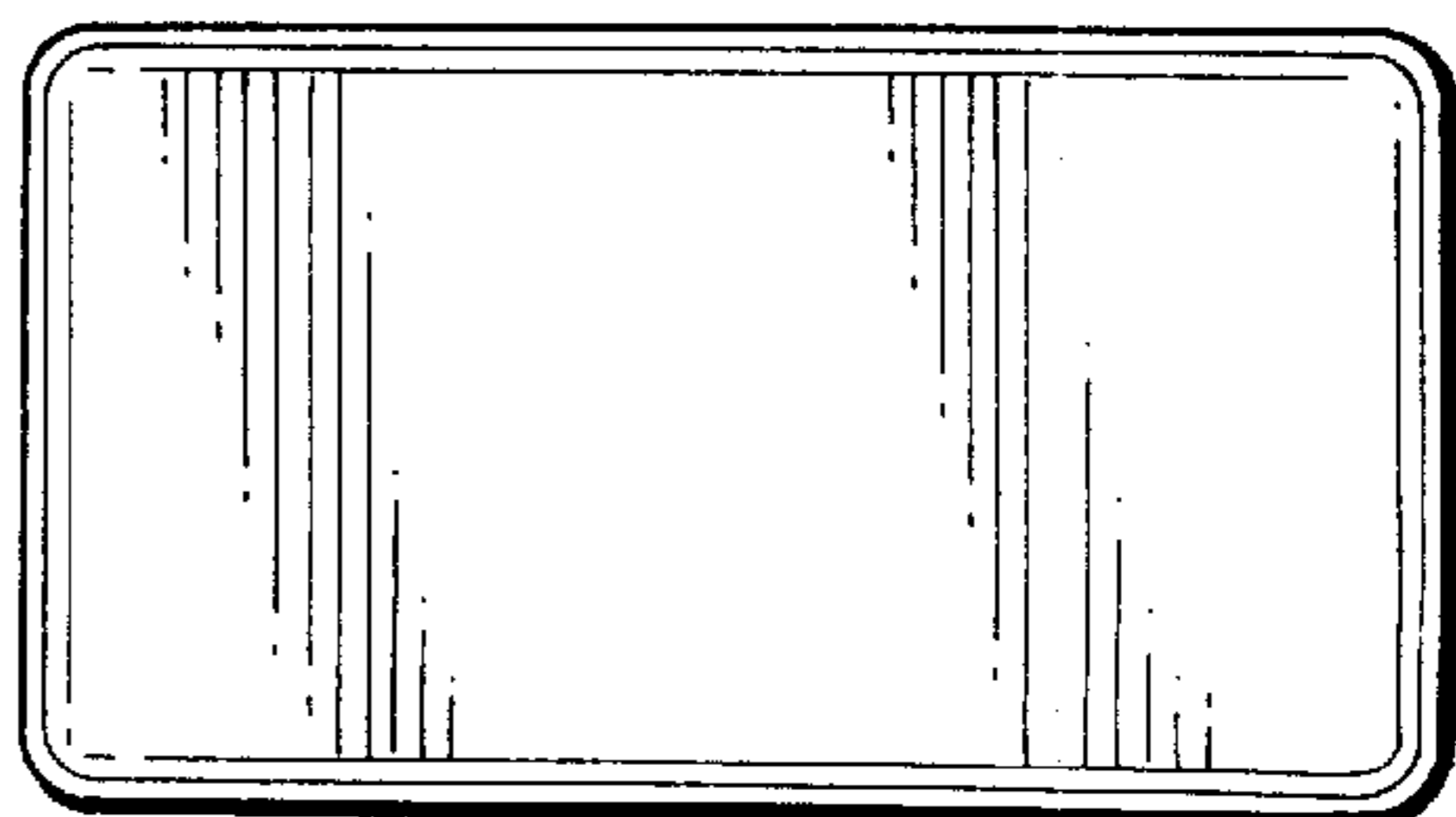


FIG. 6



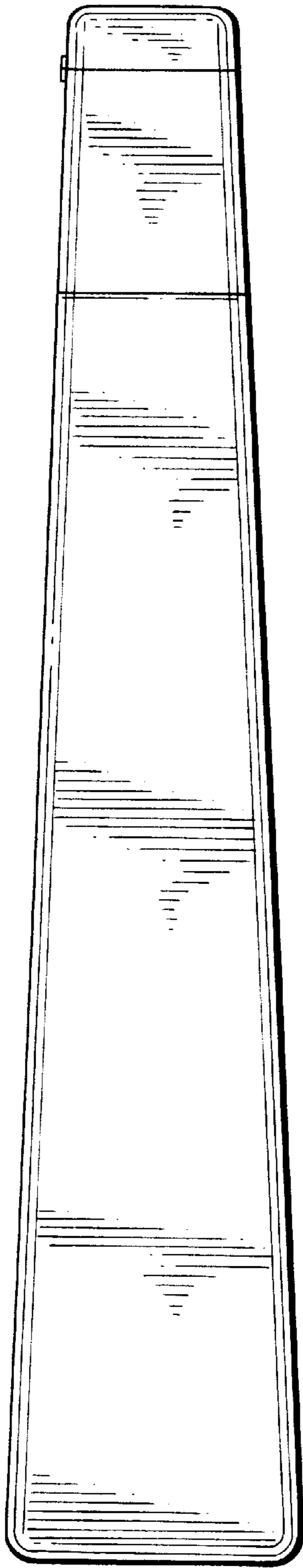


FIG. 7

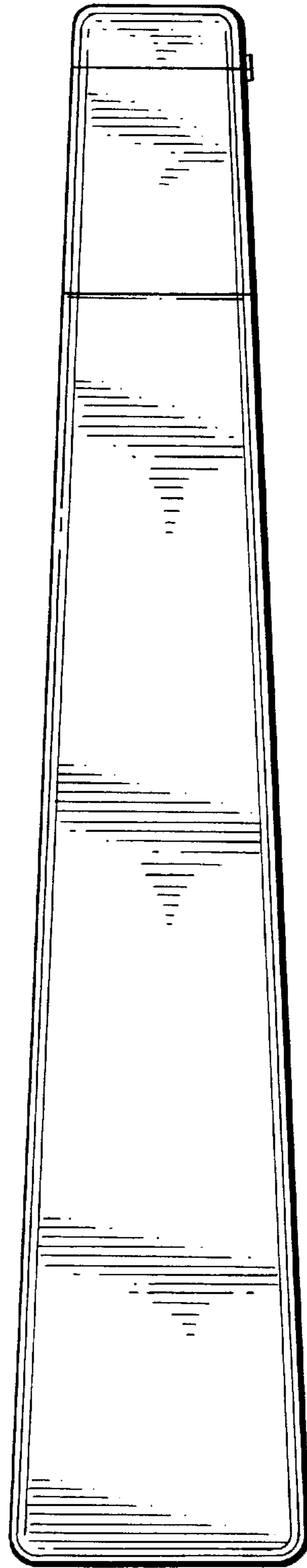


FIG. 8