



US00D457425S

(12) **United States Design Patent**  
**Petola et al.**

(10) **Patent No.:** **US D457,425 S**

(45) **Date of Patent:** **\*\* May 21, 2002**

(54) **FOOD AND BEVERAGE TRAY WITH HINGED LID**

(76) Inventors: **Timo Petola**, Bemboletie 26, 02700 Kauniainen (FI); **Henry R. Vigue**, 15 Barnet Ave., Waterville, ME (US) 04901

(\*\*) Term: **14 Years**

(21) Appl. No.: **29/133,281**

(22) Filed: **Nov. 27, 2000**

(51) **LOC (7) Cl.** ..... **09-03**

(52) **U.S. Cl.** ..... **D9/347**

(58) **Field of Search** ..... D9/347, 345, 348, D9/344, 414, 424, 431; 206/521, 521.1, 521.15, 521.7, 521.8; 220/508; 229/406, 904

(56) **References Cited**

**U.S. PATENT DOCUMENTS**

- 3,542,280 A 11/1970 Crabtree
- 3,633,785 A 1/1972 Cyr et al.
- 3,876,130 A 4/1975 Haase
- D236,575 S \* 9/1975 Vigue ..... D7/99
- 3,937,389 A 2/1976 Wind
- D240,353 S \* 6/1976 Edwards ..... D9/3
- 4,057,169 A 11/1977 Payne
- 4,096,986 A 6/1978 Florian
- D253,456 S 11/1979 Payne
- 4,218,008 A 8/1980 Veilleux
- D304,678 S 11/1989 Vigue

- D388,699 S \* 1/1998 Hayes et al. .... D9/341
- 5,857,583 A 1/1999 Chantaca et al.
- D409,483 S \* 5/1999 Herbruck ..... D9/341
- D412,841 S \* 8/1999 Herbruck ..... D9/341
- D418,405 S \* 1/2000 Herbruck ..... D9/341

\* cited by examiner

*Primary Examiner*—Ted Shooman

*Assistant Examiner*—Daniel Bui

(74) *Attorney, Agent, or Firm*—Connolly Bove Lodge & Hutz LLP

(57) **CLAIM**

The ornamental design for a food and beverage tray with hinged lid, as shown and described.

**DESCRIPTION**

FIG. 1 is a right side elevational view of a food and beverage tray with hinged lid with the lid closed showing our new design, the left side elevational view being a mirror image thereof;

FIG. 2 is a top plan view thereof;

FIG. 3 is a front elevational view thereof;

FIG. 4 is a rear elevational view thereof;

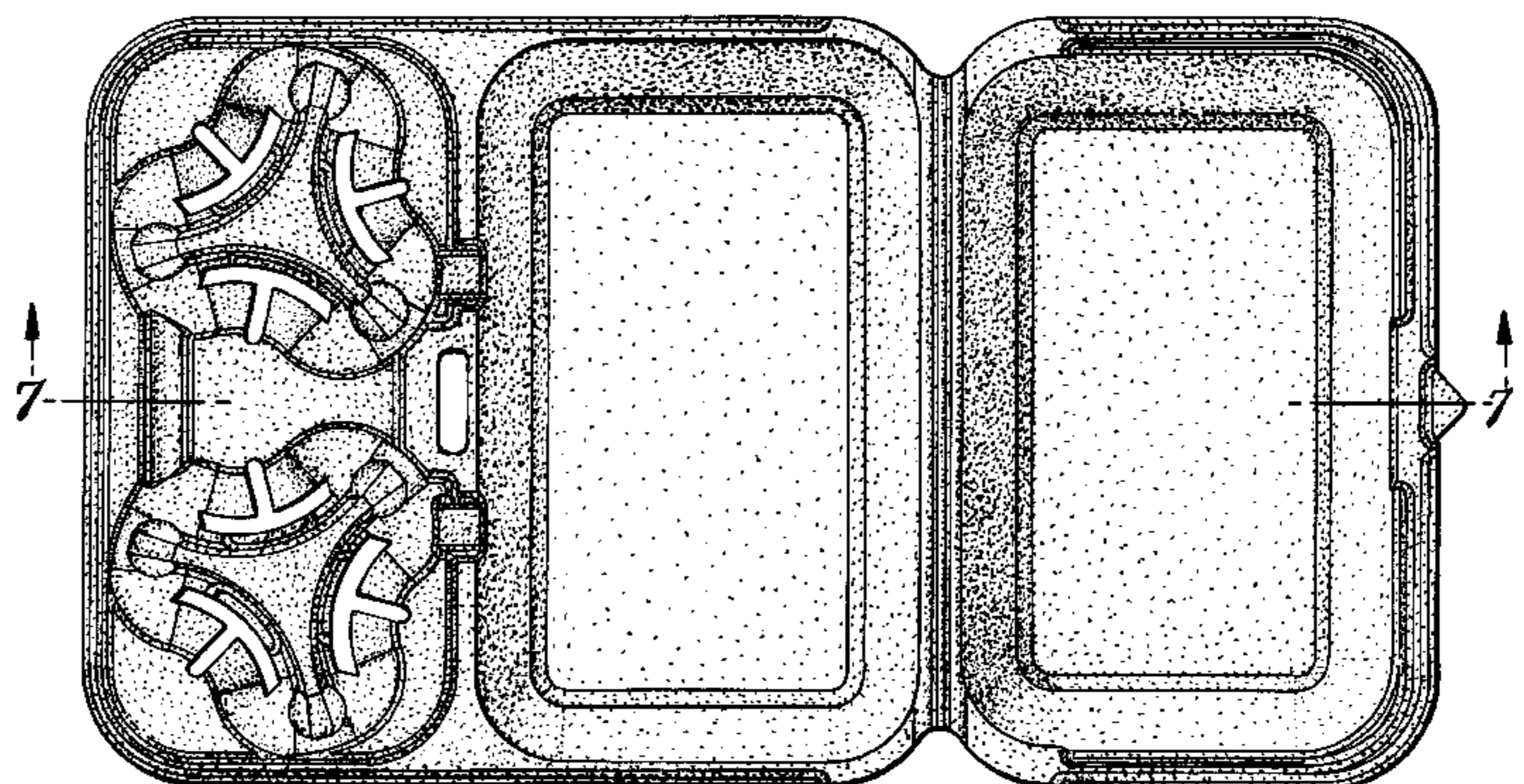
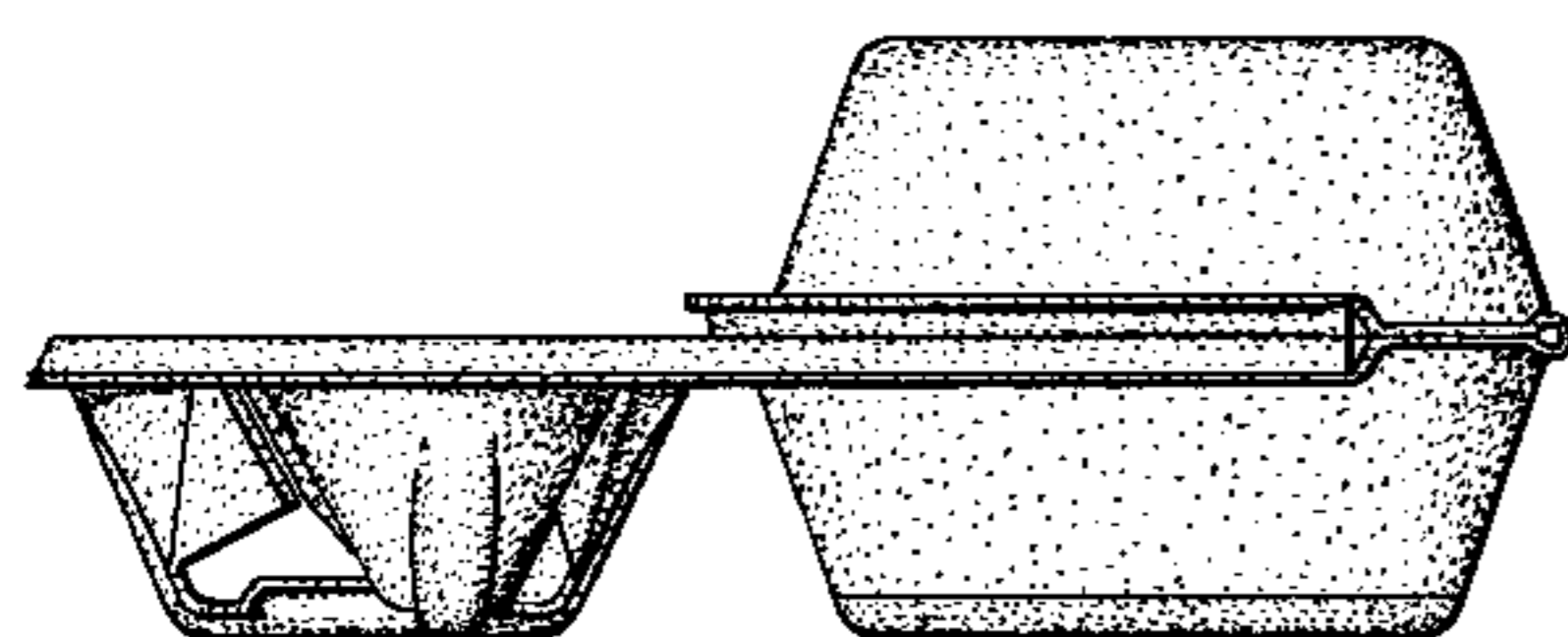
FIG. 5 is a bottom plan view thereof;

FIG. 6 is a top plan view of the food and beverage tray with hinged lid opened showing our new design;

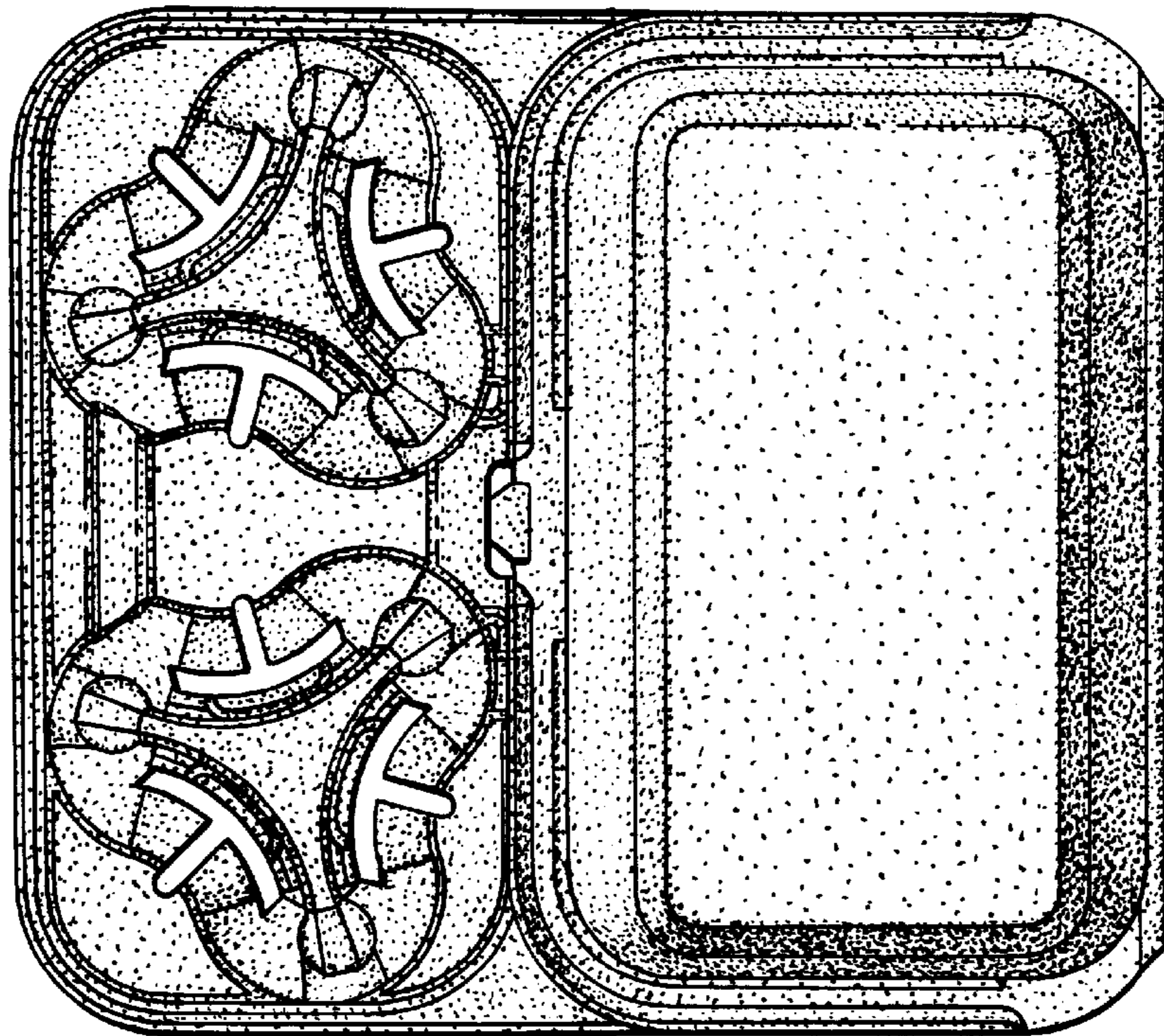
FIG. 7 is a cross-section view in elevation taken along line 7—7 of FIG. 6 thereof; and,

FIG. 8 is a front elevational view thereof.

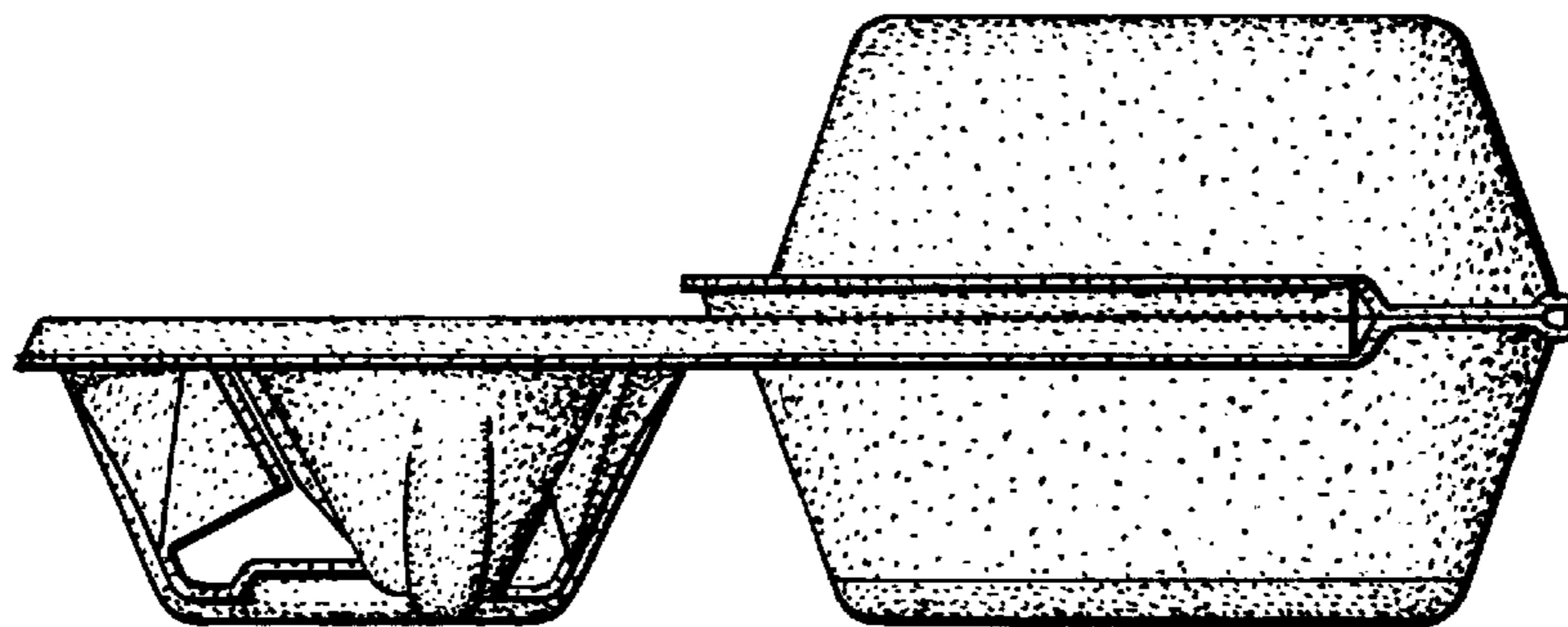
**1 Claim, 4 Drawing Sheets**



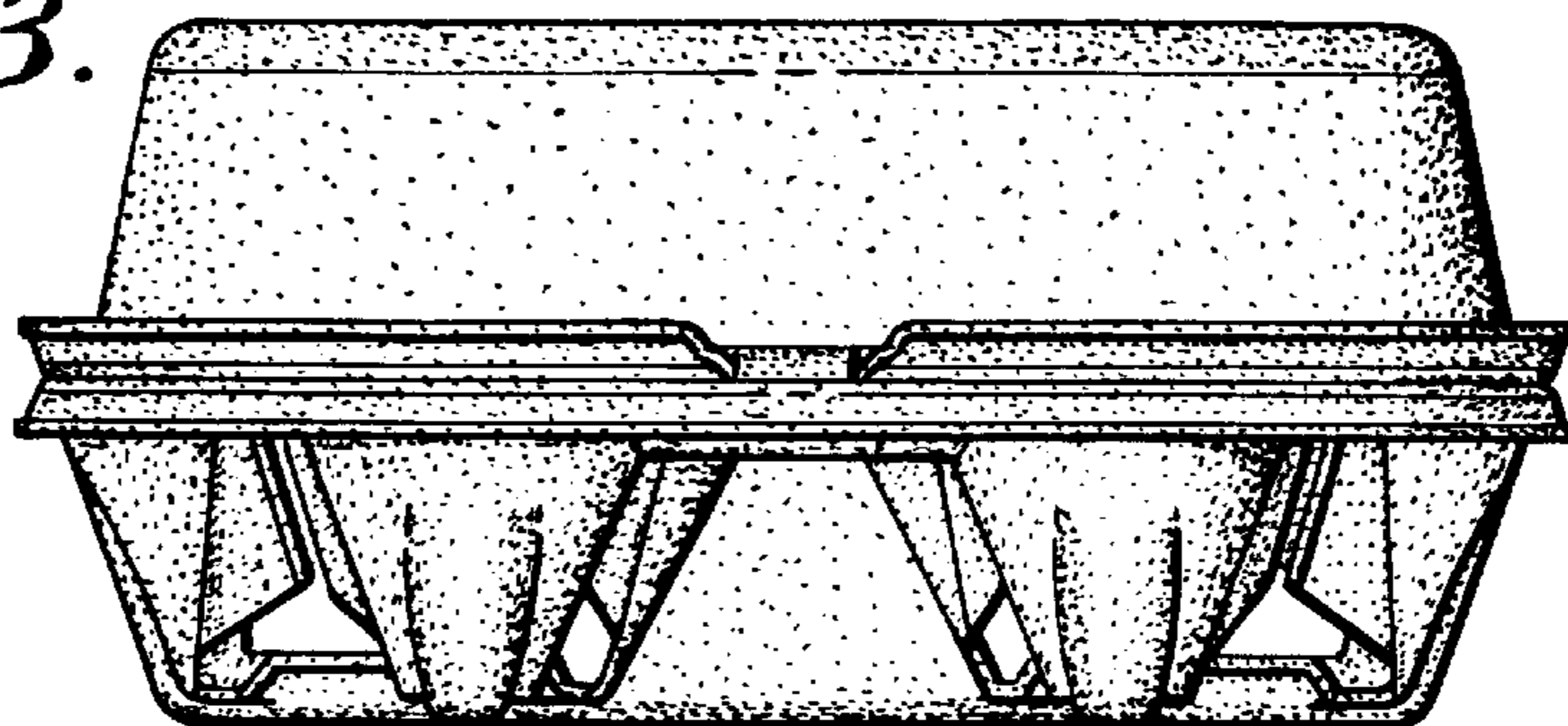
*Fig. 2.*



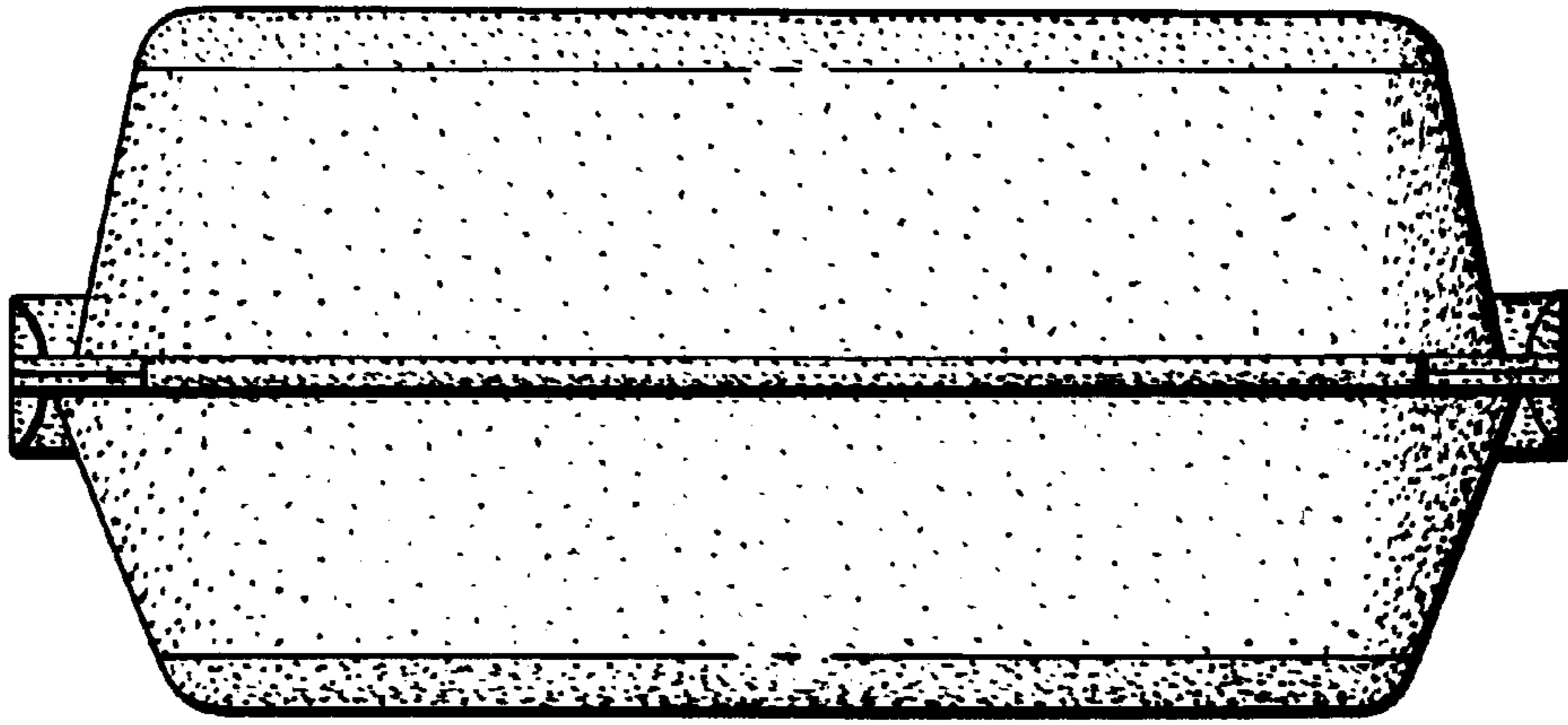
*Fig. 1.*



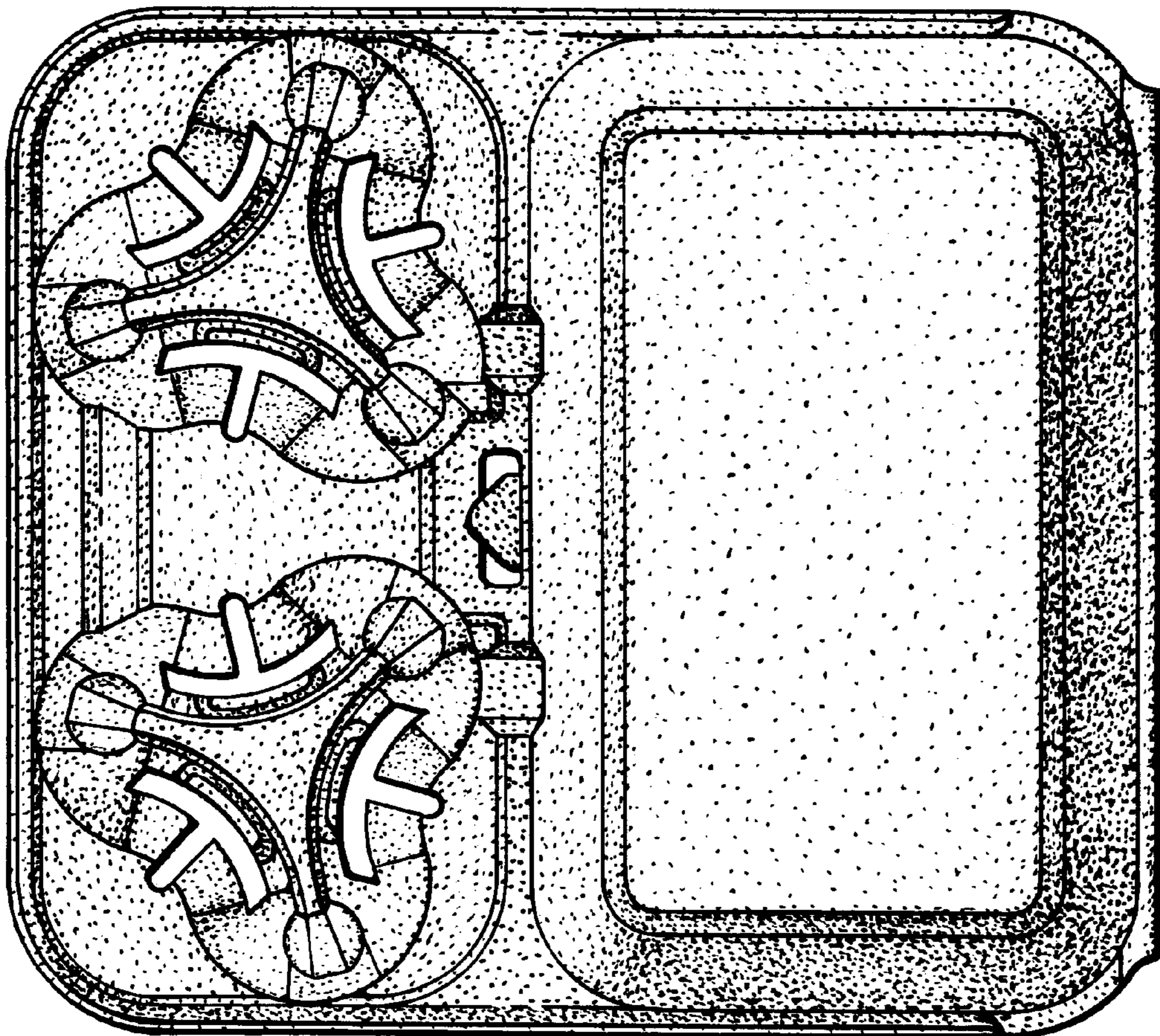
*Fig. 3.*

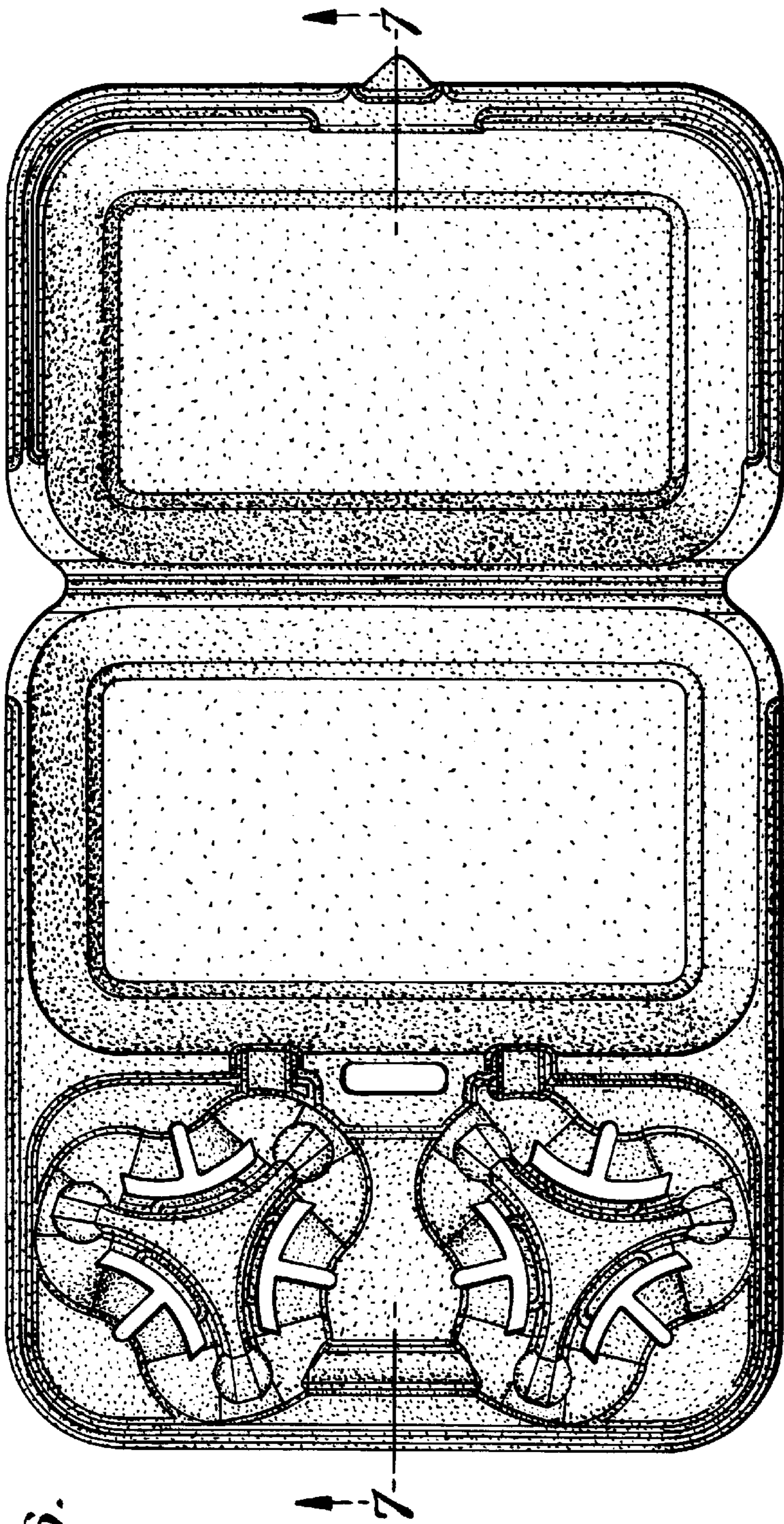


*Fig. 4.*

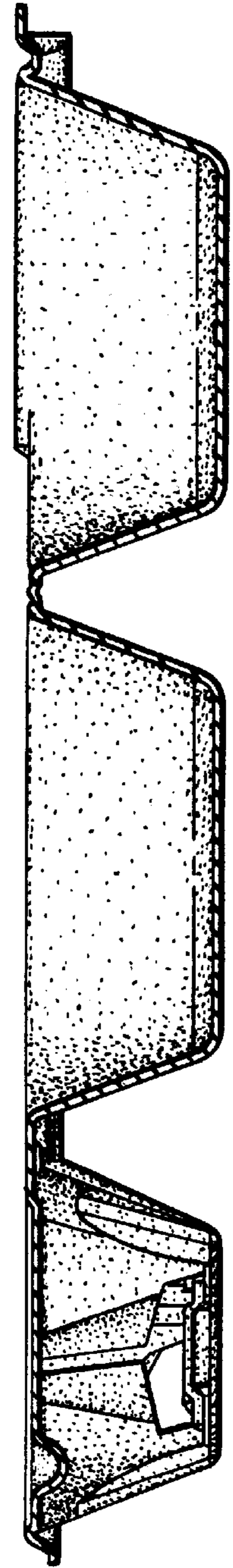


*Fig. 5.*



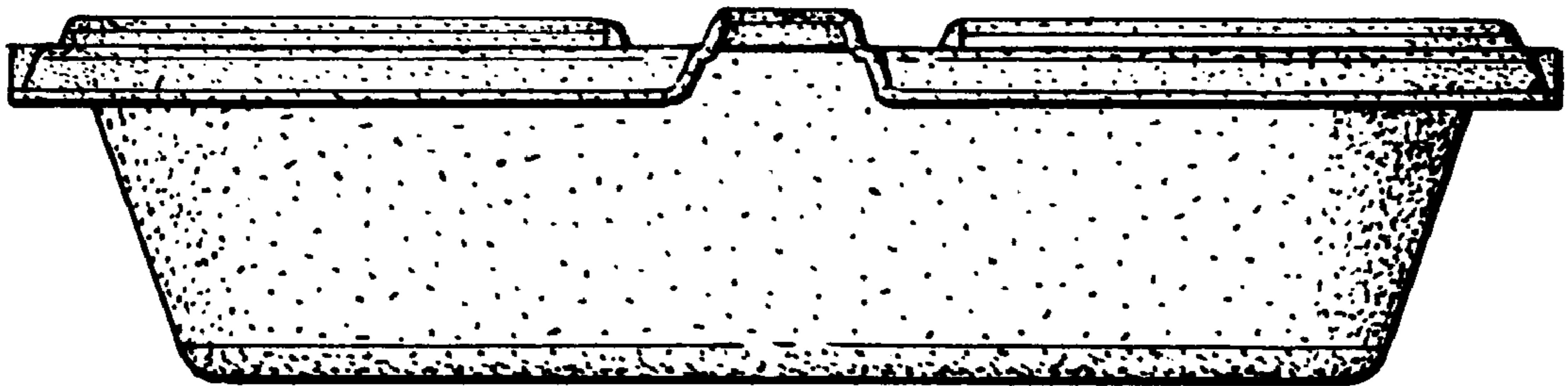


*Fig. 6.*



*Fig. 7.*

*Fig. 8.*



UNITED STATES PATENT AND TRADEMARK OFFICE  
**CERTIFICATE OF CORRECTION**

PATENT NO. : Des 457,425 S  
DATED : May 21, 2002  
INVENTOR(S) : Peltola et al.

Page 1 of 1

It is certified that error appears in the above-identified patent and that said Letters Patent is hereby corrected as shown below:

Title page,

Item [76], Inventors: Please delete "**Timo Petola**" and replace with -- **Timo Peltola** --.

Signed and Sealed this

Twenty-third Day of July, 2002

*Attest:*

A handwritten signature in black ink, appearing to read "James E. Rogan", with a horizontal line drawn underneath it.

*Attesting Officer*

JAMES E. ROGAN  
*Director of the United States Patent and Trademark Office*