



US00D457422S

(12) **United States Design Patent**
Gledhill et al.

(10) **Patent No.:** **US D457,422 S**

(45) **Date of Patent:** **** May 21, 2002**

(54) **HOUSING**

(75) Inventors: **Steven Anthony Gledhill; Tobias Peter Dallas**, both of Old Saybrook, CT (US)

(73) Assignee: **Roto Frank of America, Inc.**, Essex, CT (US)

(**) Term: **14 Years**

5,531,138 A	7/1996	Vetter	74/606 R
D375,674 S	* 11/1996	Anderson et al.	D8/400
D390,444 S	* 2/1998	Wintrone	D8/337
D390,777 S	* 2/1998	Peterson et al.	D8/400
D408,274 S	* 4/1999	Vetter et al.	D8/400
D408,729 S	* 4/1999	Virkler et al.	D8/400
D420,889 S	* 2/2000	DePass	D8/337
6,128,858 A	10/2000	Vetter et al.	49/342
D442,464 S	* 5/2001	Richardson	D8/330

(21) Appl. No.: **29/131,310**

(22) Filed: **Oct. 18, 2000**

(51) **LOC (7) Cl.** **08-09**

(52) **U.S. Cl.** **D8/400; D8/338**

(58) **Field of Search** D8/330, 331, 338,
D8/337, 400; 74/625; 160/188, 189; 16/49,
51, 66, 71, 121

FOREIGN PATENT DOCUMENTS

FR 2 467 954 4/1981

* cited by examiner

Primary Examiner—Brian N. Vinson

(74) *Attorney, Agent, or Firm*—Marshall, Gerstein, & Borun

(56) **References Cited**

U.S. PATENT DOCUMENTS

124,050 A	2/1872	Gathmann	
148,303 A	3/1874	Kelleher	
217,873 A	7/1879	Holbrook et al.	
2,022,036 A	11/1935	Haberstump	296/84
2,214,280 A	9/1940	Lang	268/119
2,214,884 A	9/1940	Kistner	70/89
2,686,669 A	8/1954	Johnson	268/119
3,098,647 A	7/1963	Teggelaar et al.	268/105
3,250,038 A	5/1966	Steel	49/341
4,189,248 A	2/1980	Sully	403/11
4,209,266 A	6/1980	Bowen et al.	403/329
4,445,794 A	5/1984	Sandberg	384/428
4,860,493 A	8/1989	Lense	49/279
5,205,074 A	4/1993	Guhl et al.	49/386
5,216,781 A	* 6/1993	Brondfield	16/121 X
5,272,837 A	12/1993	Nolte et al.	49/324
5,493,813 A	2/1996	Vetter et al.	49/341

(57) **CLAIM**

The ornamental design for a “housing”, as shown and described.

DESCRIPTION

FIG. 1 is a top, front, and right side perspective view of a housing showing our new design, the broken-line disclosure of a rotary window crank, and window frame fragments being for illustrative purposes only and forming no part of the claimed design;

FIG. 2 is an enlarged front elevational view thereof;

FIG. 3 is an enlarged left side elevational view thereof;

FIG. 4 is an enlarged left side elevational view thereof; and,

FIG. 5 is an enlarged top plan view thereof.

The broken-line disclosure of internal elements in the last three figures is also for illustrative purposes only and forms no part of the claimed design.

1 Claim, 2 Drawing Sheets

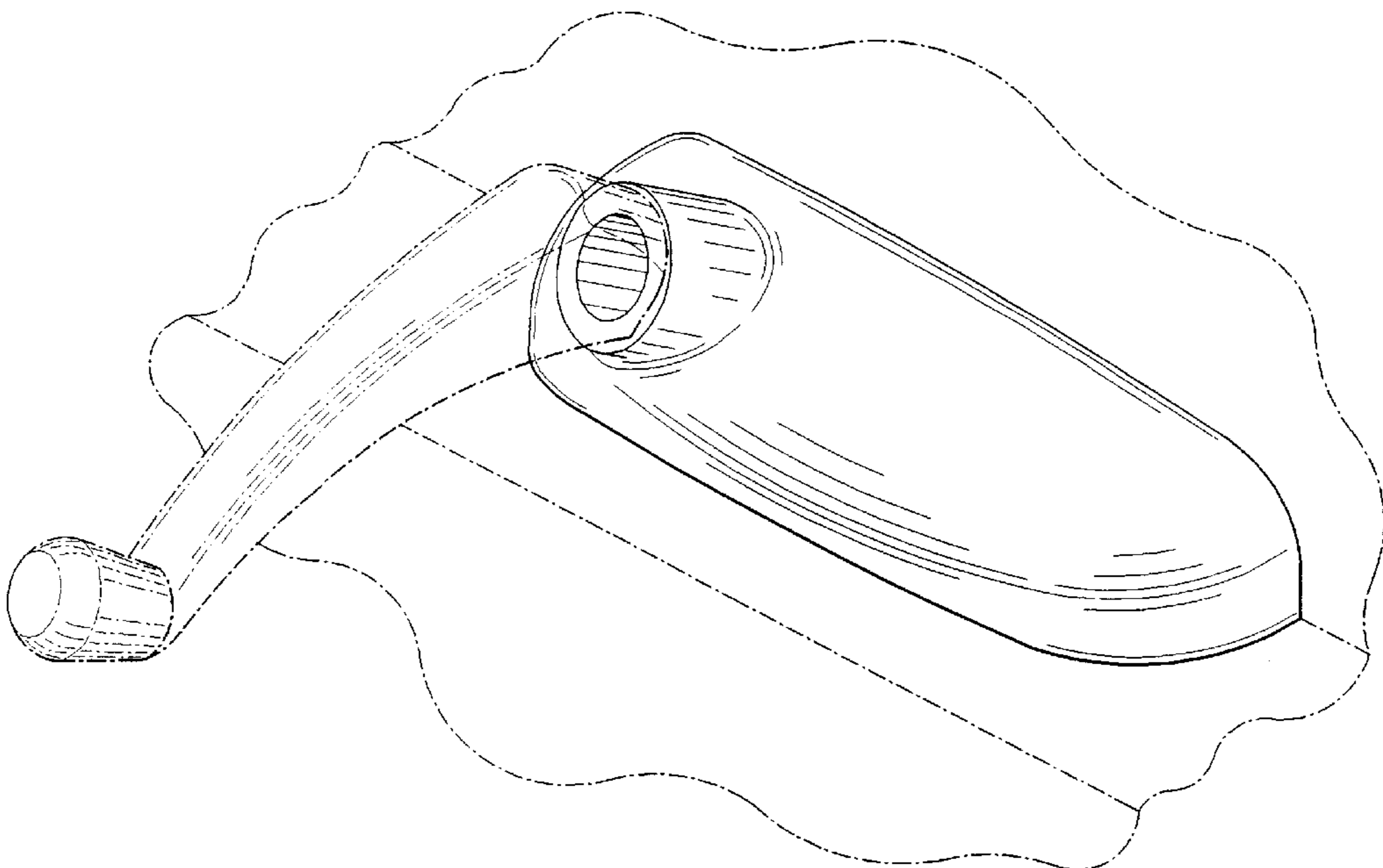


FIG.1

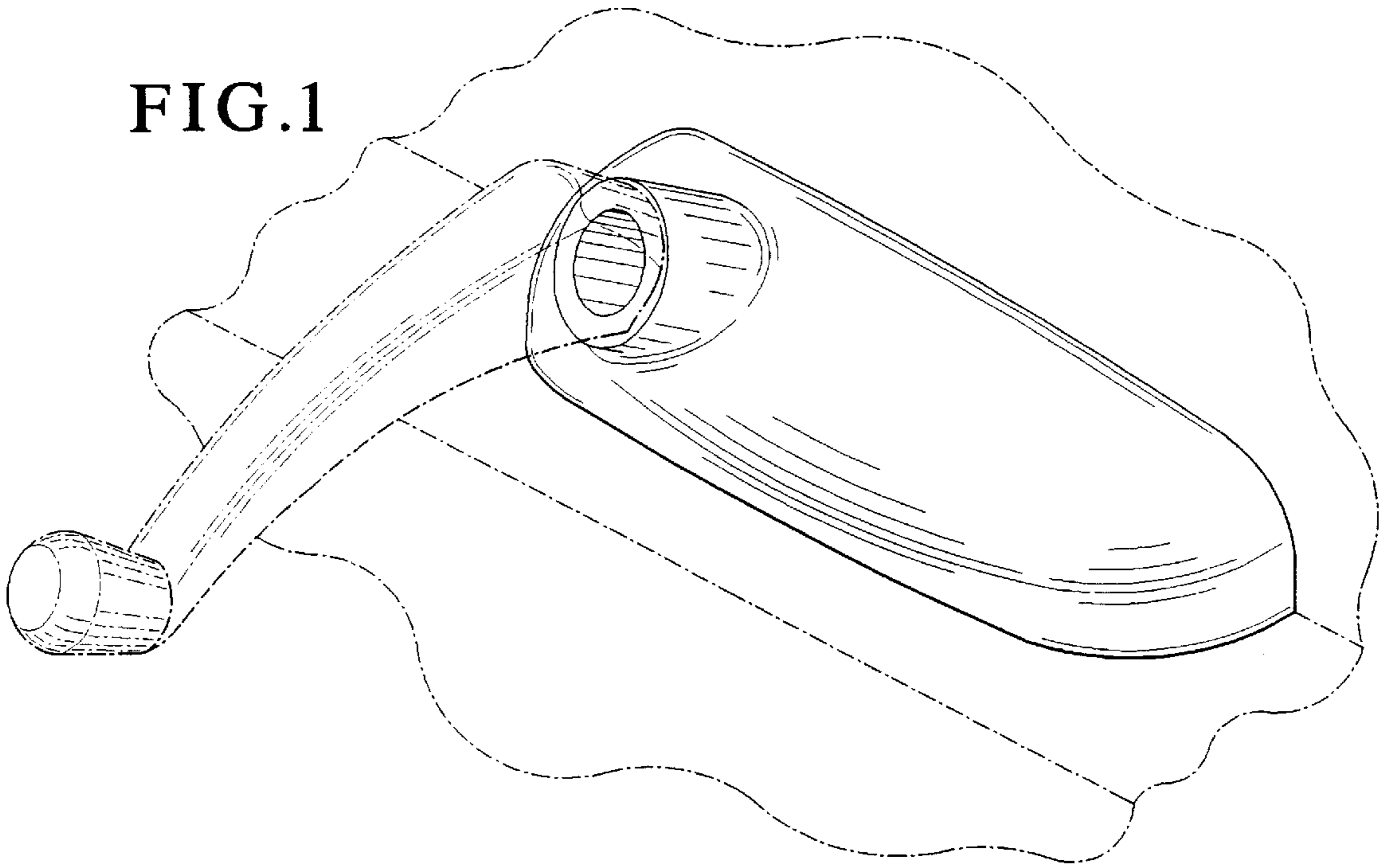


FIG.2



FIG.3

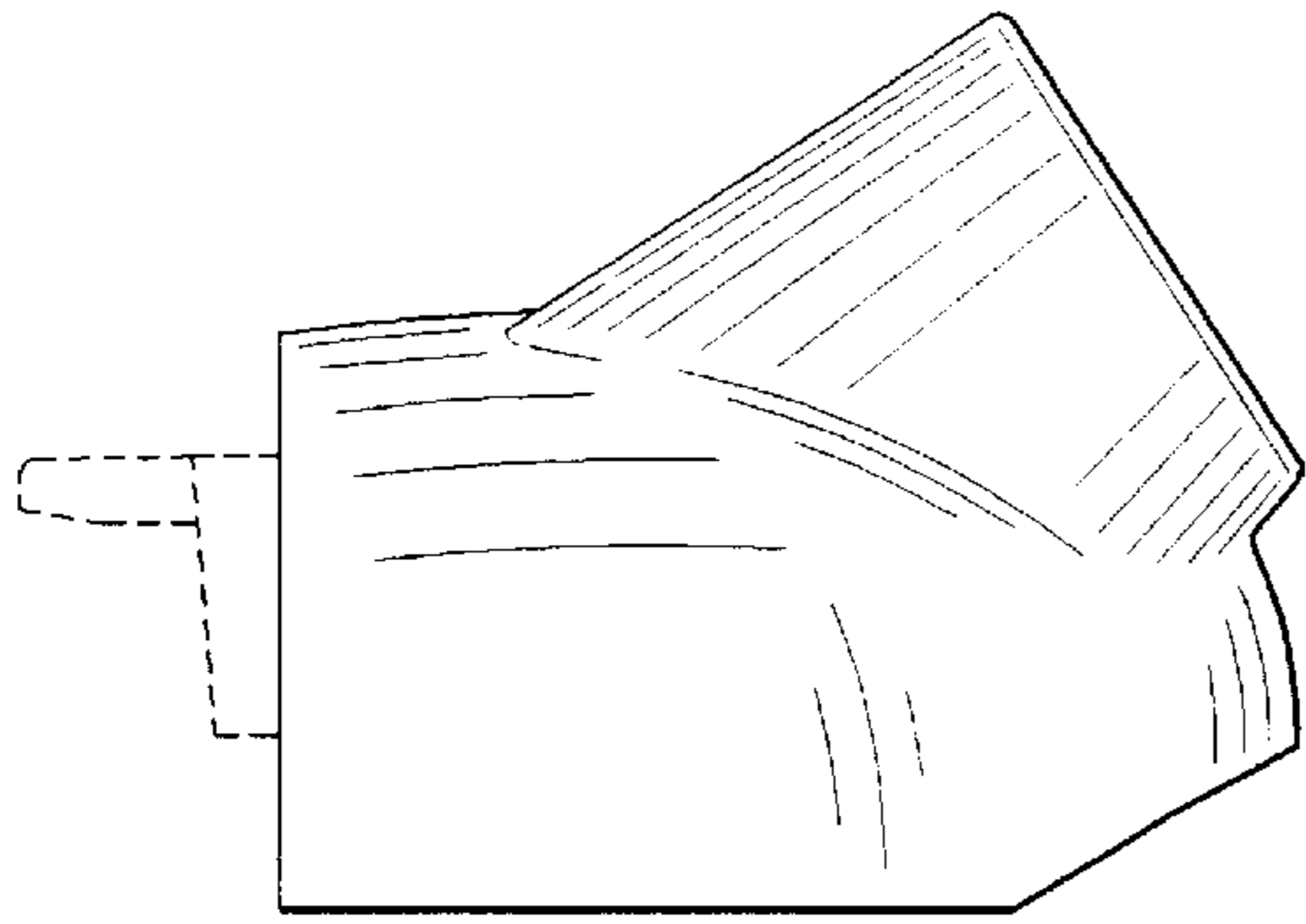


FIG.4

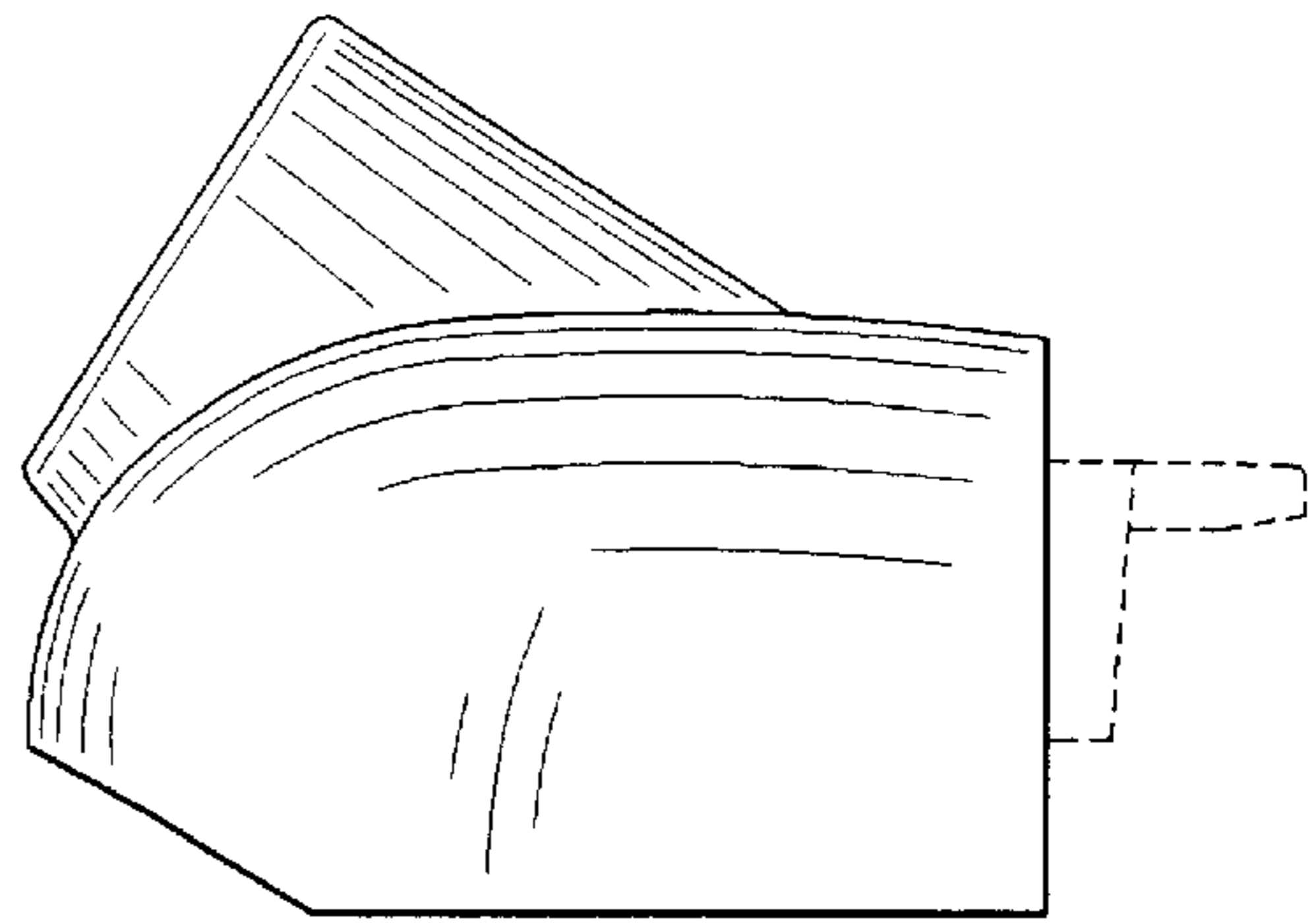


FIG.5

