



US00D457421S

(12) **United States Design Patent**  
**Koepke et al.**

(10) **Patent No.:** **US D457,421 S**

(45) **Date of Patent:** **\*\* May 21, 2002**

(54) **CASTOR**

D288,286 S \* 2/1987 Screen ..... D8/375  
D340,182 S \* 10/1993 Soltani ..... D8/375

(75) Inventors: **Marcus C. Koepke**, Indianapolis, IN (US); **Brian R. Trego**, Muscatine; **Erik A. Steffensen**, Iowa City, both of IA (US)

\* cited by examiner

*Primary Examiner*—Pamela Burgess  
(74) *Attorney, Agent, or Firm*—Jones, Day, Reavis & Pogue

(73) Assignee: **HON Technology Inc.**, Muscatine, IA (US)

(57) **CLAIM**

(\*\*) Term: **14 Years**

We claim the ornamental design for a castor, as shown and described.

(21) Appl. No.: **29/143,636**

**DESCRIPTION**

(22) Filed: **Jun. 15, 2001**

(51) **LOC (7) Cl.** ..... **08-05**

(52) **U.S. Cl.** ..... **D8/375**

(58) **Field of Search** ..... D8/375, 374; D12/133; 16/34, 18 R, 18 CG, 39, 29, 45, 27; 190/18 A; 248/129

FIG. 1 is a front, left perspective view of a castor showing our new design;  
FIG. 2 is a front view thereof;  
FIG. 3 is a left side view, the opposite side view being a mirror image thereof;  
FIG. 4 is a rear view thereof;  
FIG. 5 is a top view thereof; and,  
FIG. 6 is a bottom view thereof.

(56) **References Cited**

**U.S. PATENT DOCUMENTS**

D241,004 S \* 8/1976 Pinaire ..... D8/375

**1 Claim, 1 Drawing Sheet**

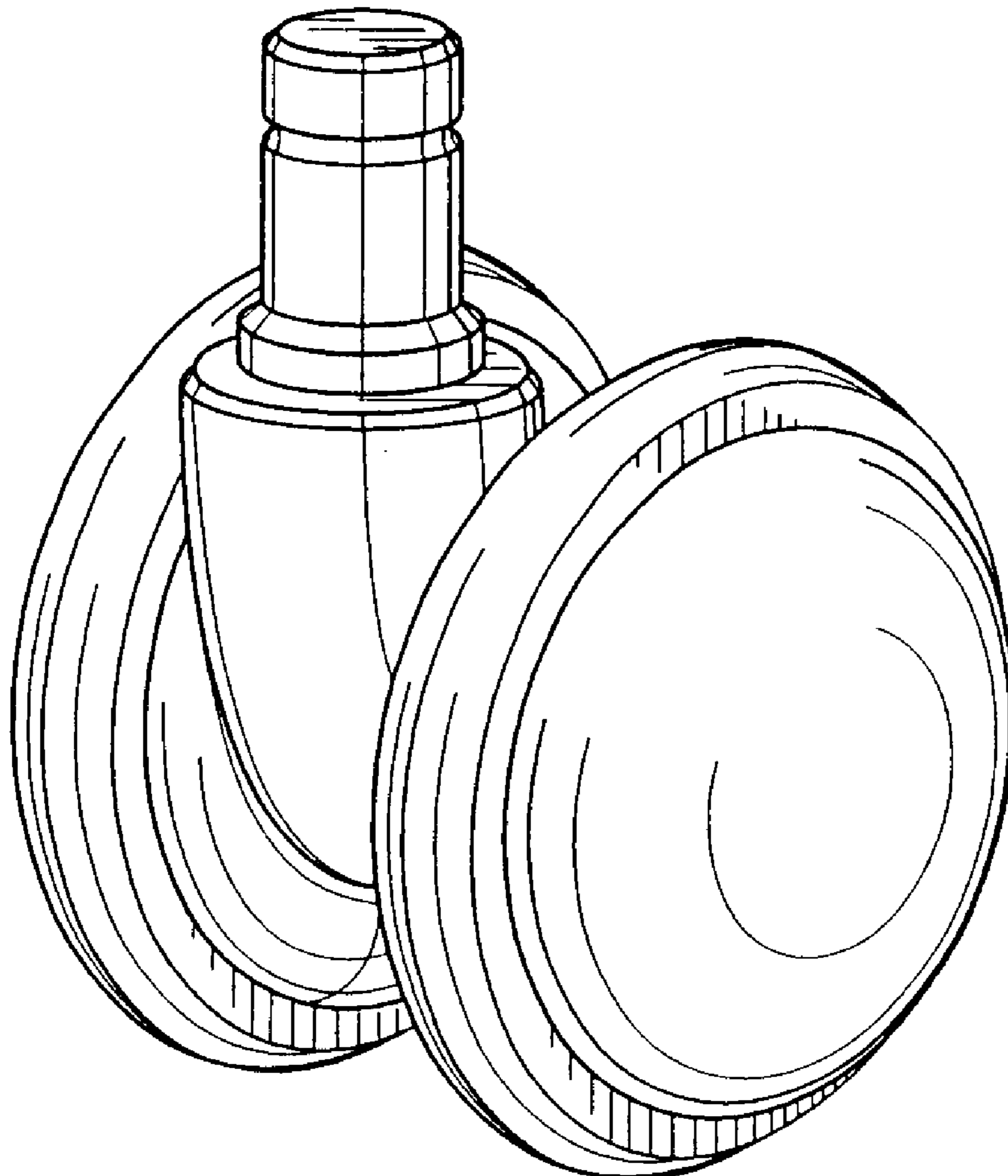


Fig. 1

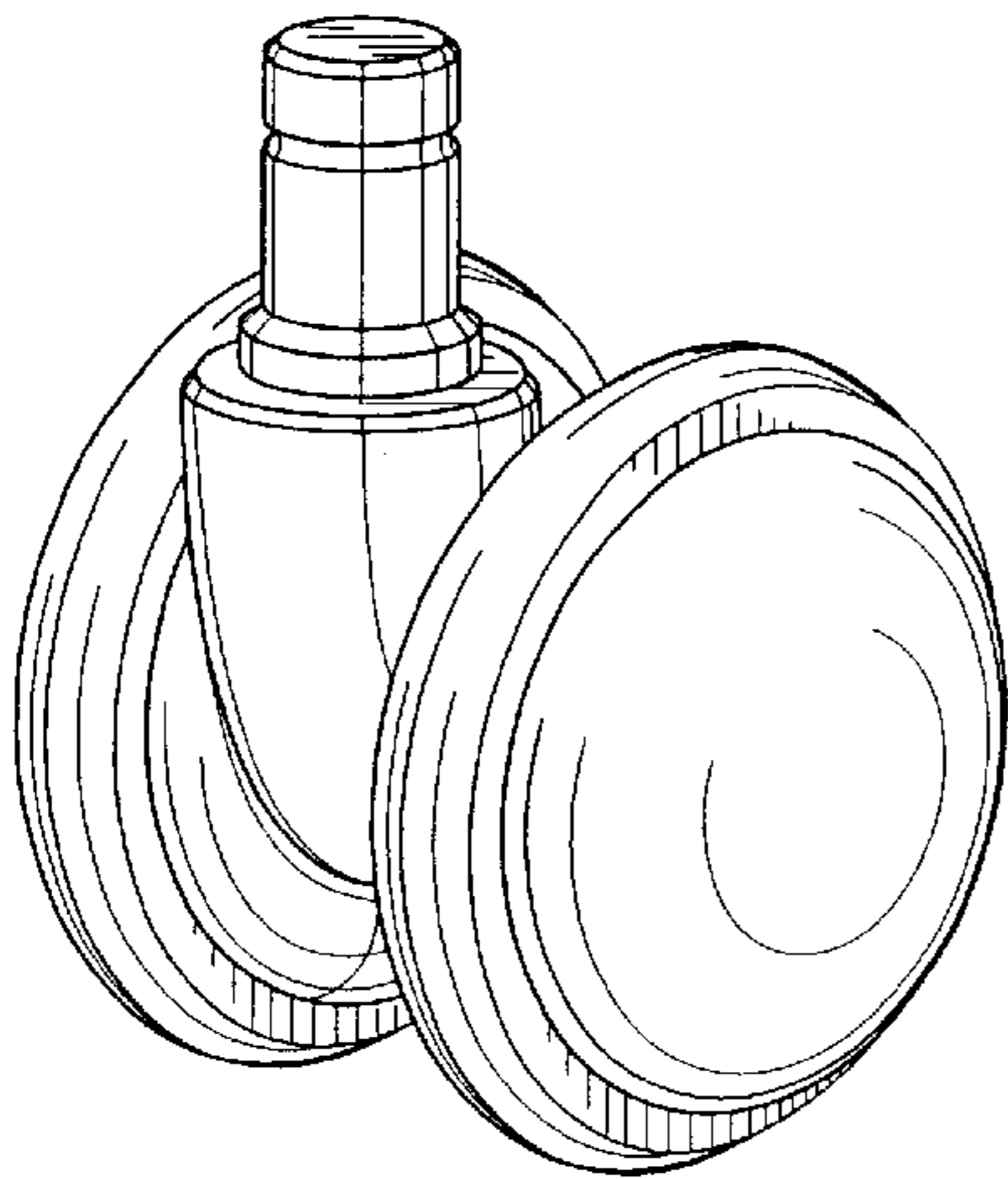


Fig. 2

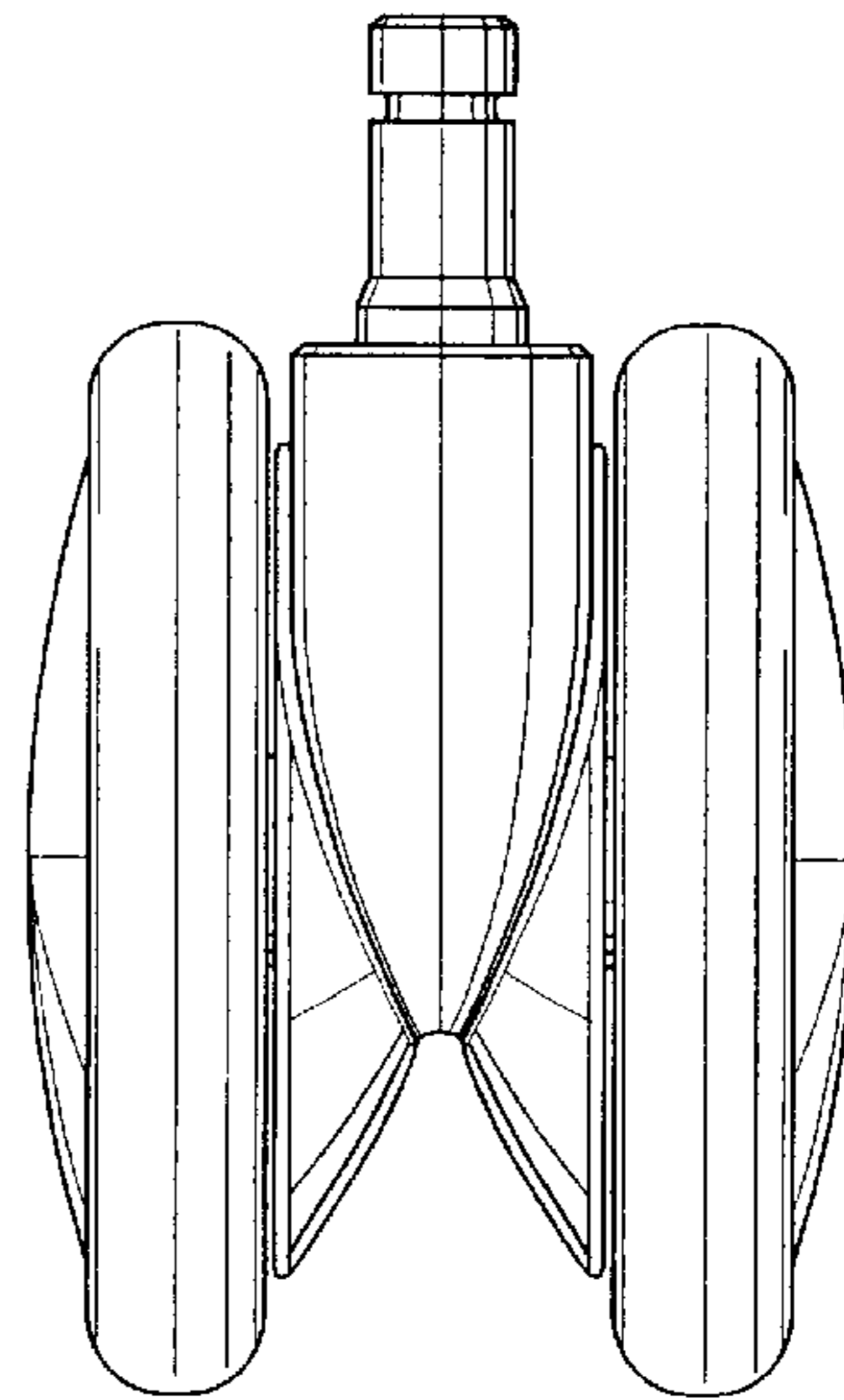


Fig. 3

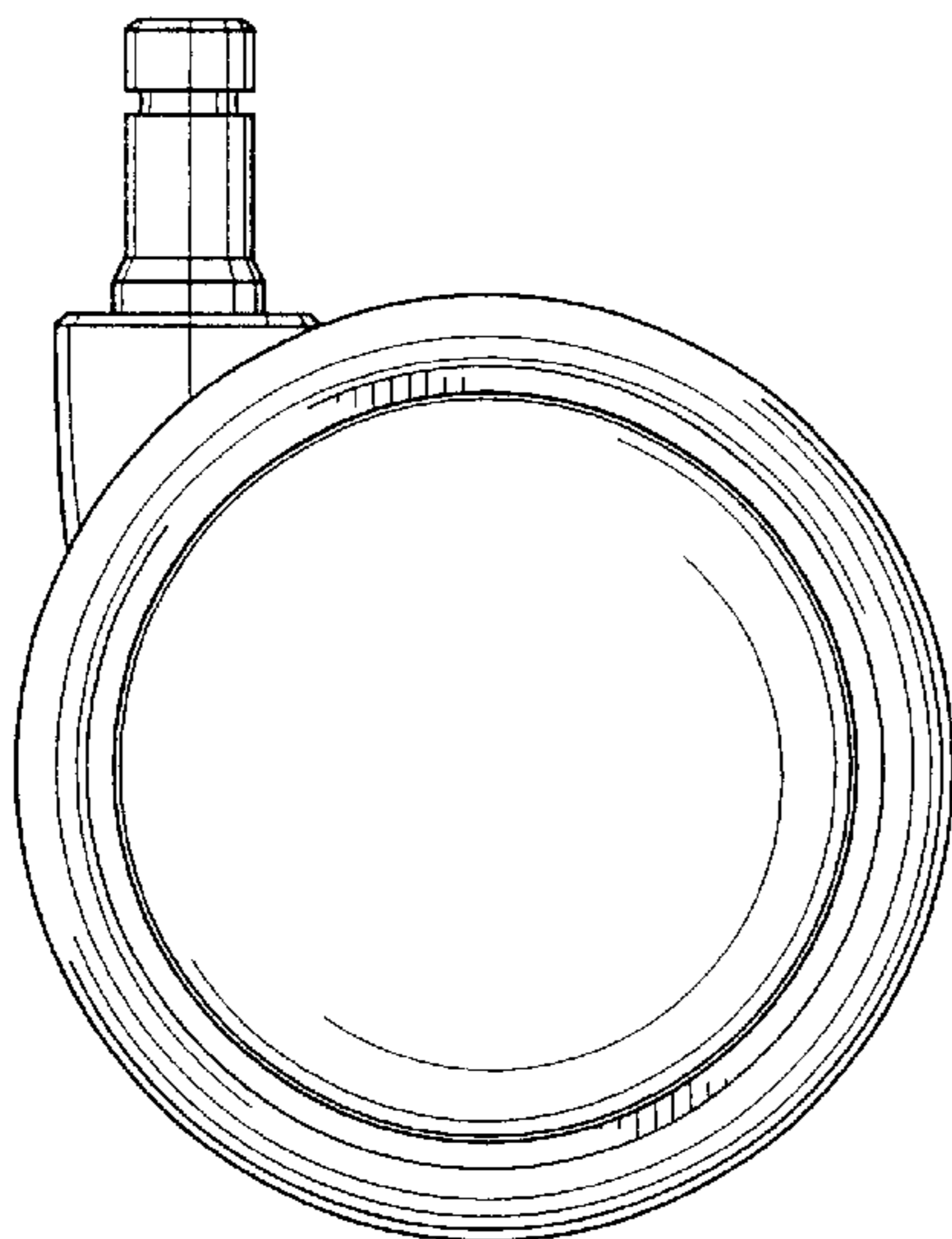


Fig. 4

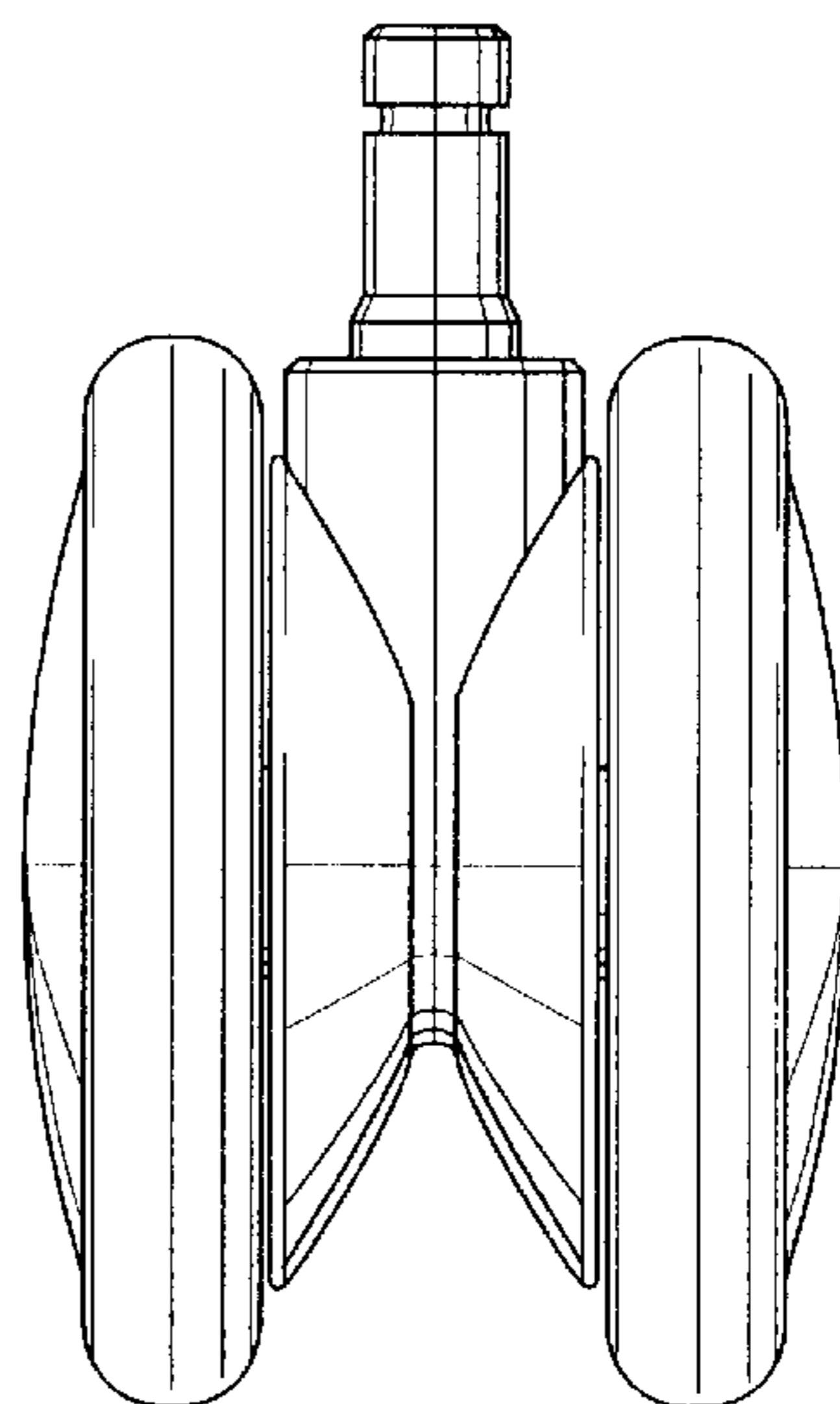


Fig. 5

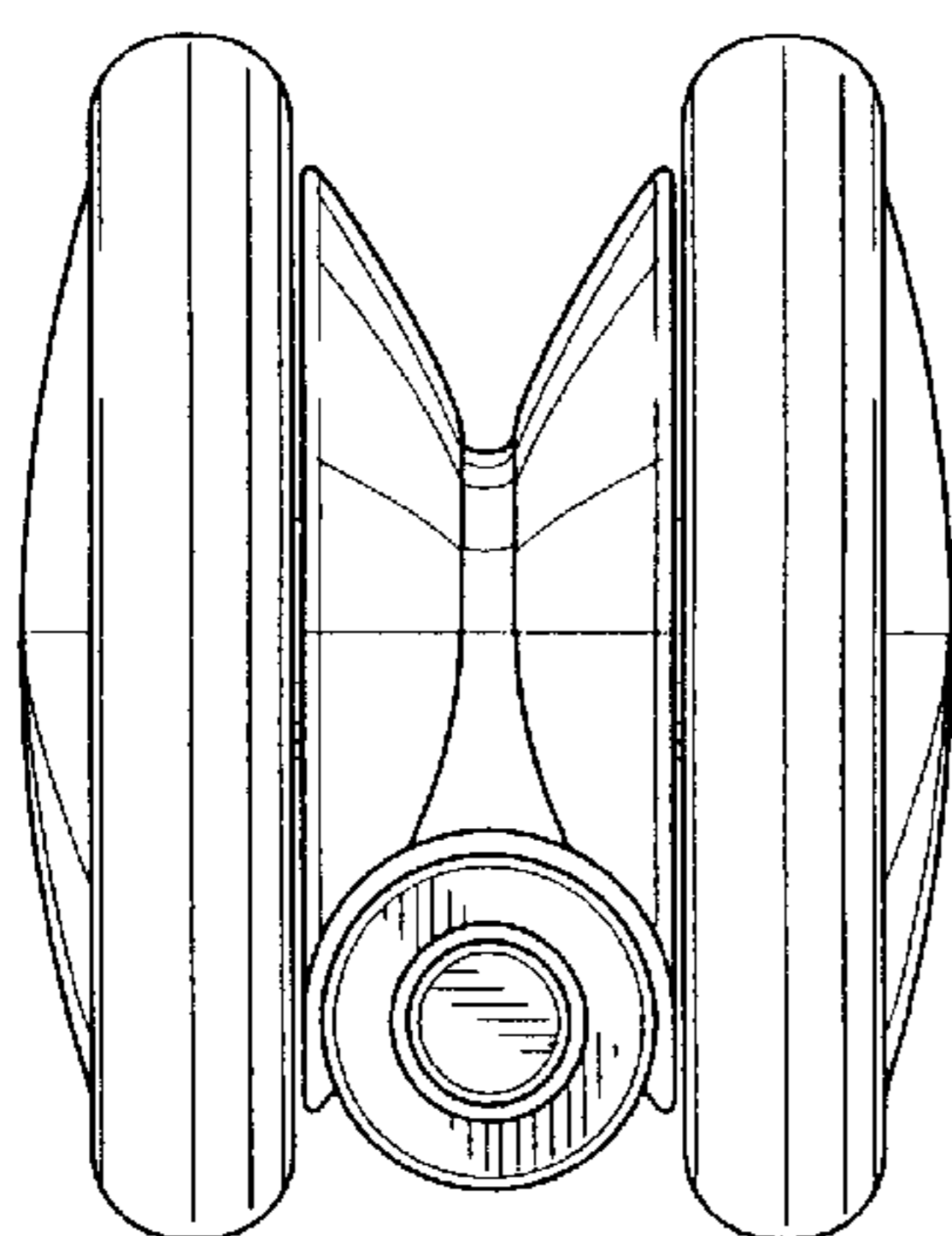


Fig. 6

