



US00D457418S

(12) **United States Design Patent**
Ferrer Beltrán

(10) **Patent No.:** **US D457,418 S**

(45) **Date of Patent:** **** May 21, 2002**

(54) **SUPPORT BRACKET FOR DEEP BASIN**

D325,866 S * 5/1992 Gary D8/354

(75) Inventor: **Jose M^a Ferrer Beltrán**, Bonrepos
(ES)

* cited by examiner

(73) Assignee: **Ibergesfer, S.L.** (ES)

Primary Examiner—Holly Baynham

(74) *Attorney, Agent, or Firm*—Lackebach Siegel

(**) Term: **14 Years**

(57) **CLAIM**

(21) Appl. No.: **29/129,011**

The ornamental design for a support bracket for deep basin,
as shown.

(22) Filed: **Sep. 1, 2000**

(30) **Foreign Application Priority Data**

DESCRIPTION

Mar. 2, 2000 (ES) 147760

(51) **LOC (7) Cl.** **08-05**

(52) **U.S. Cl.** **D8/363**

(58) **Field of Search** D8/354, 349, 373;
248/300, 309.1; 4/648

FIG. 1 is a perspective view of my support bracket for a deep
basin, taken from the top and left side thereof;

FIG. 2 is a left side elevational view thereof (the right side
being a mirror image);

FIG. 3 is a rear view thereof; and,

FIG. 4 is a bottom view thereof.

(56) **References Cited**

U.S. PATENT DOCUMENTS

3,428,968 A * 2/1969 Ory, Jr. et al. 4/648

1 Claim, 3 Drawing Sheets

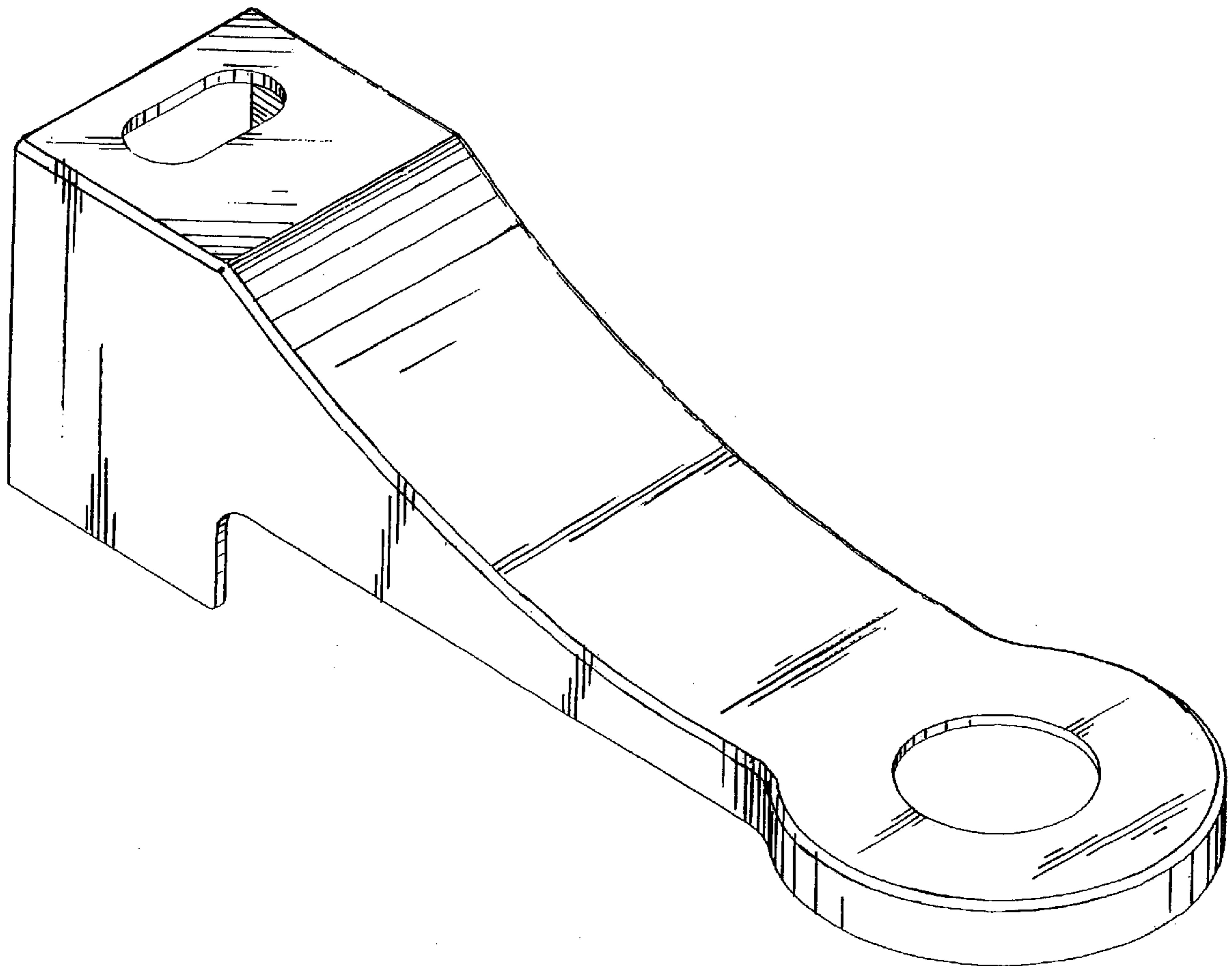
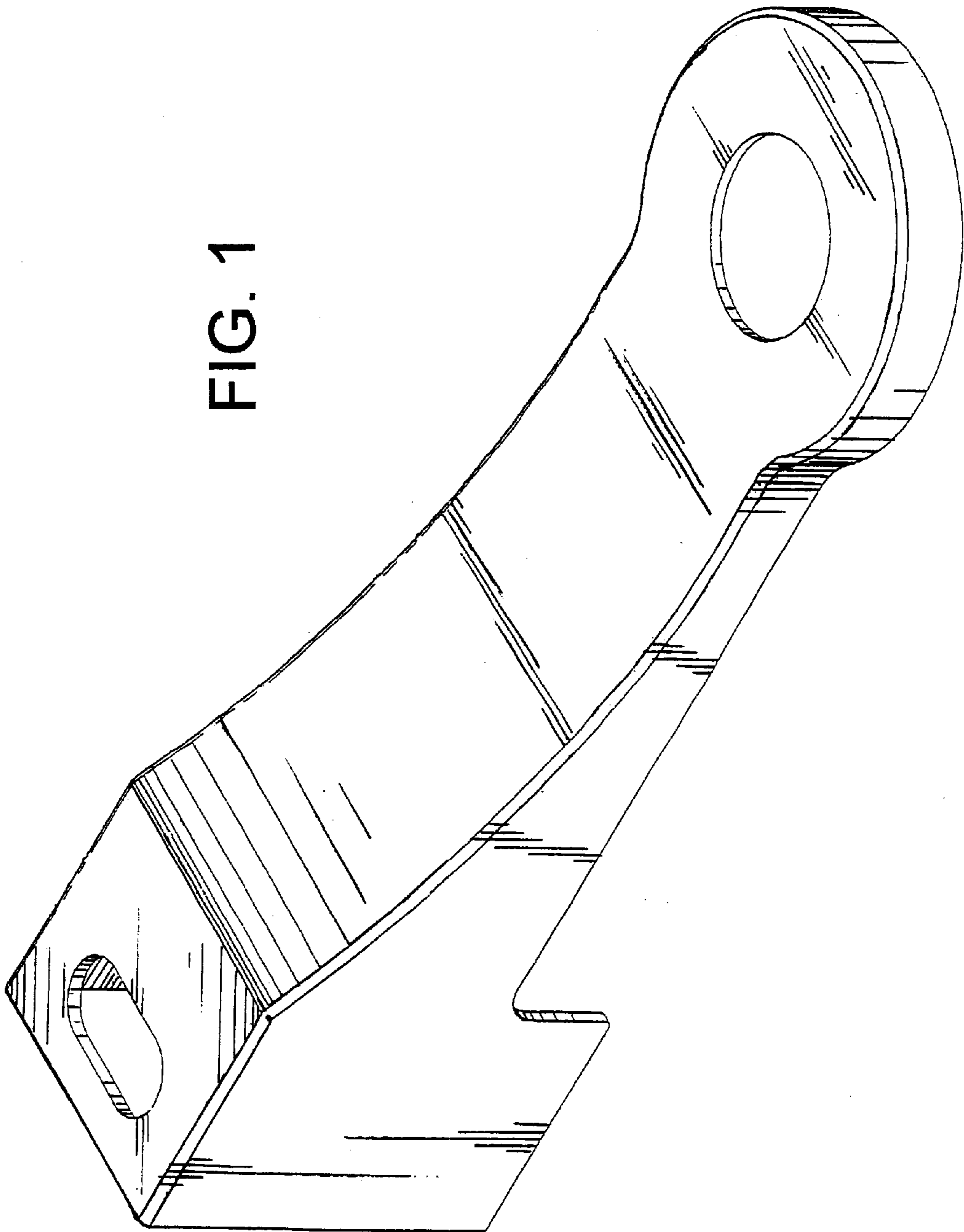


FIG. 1



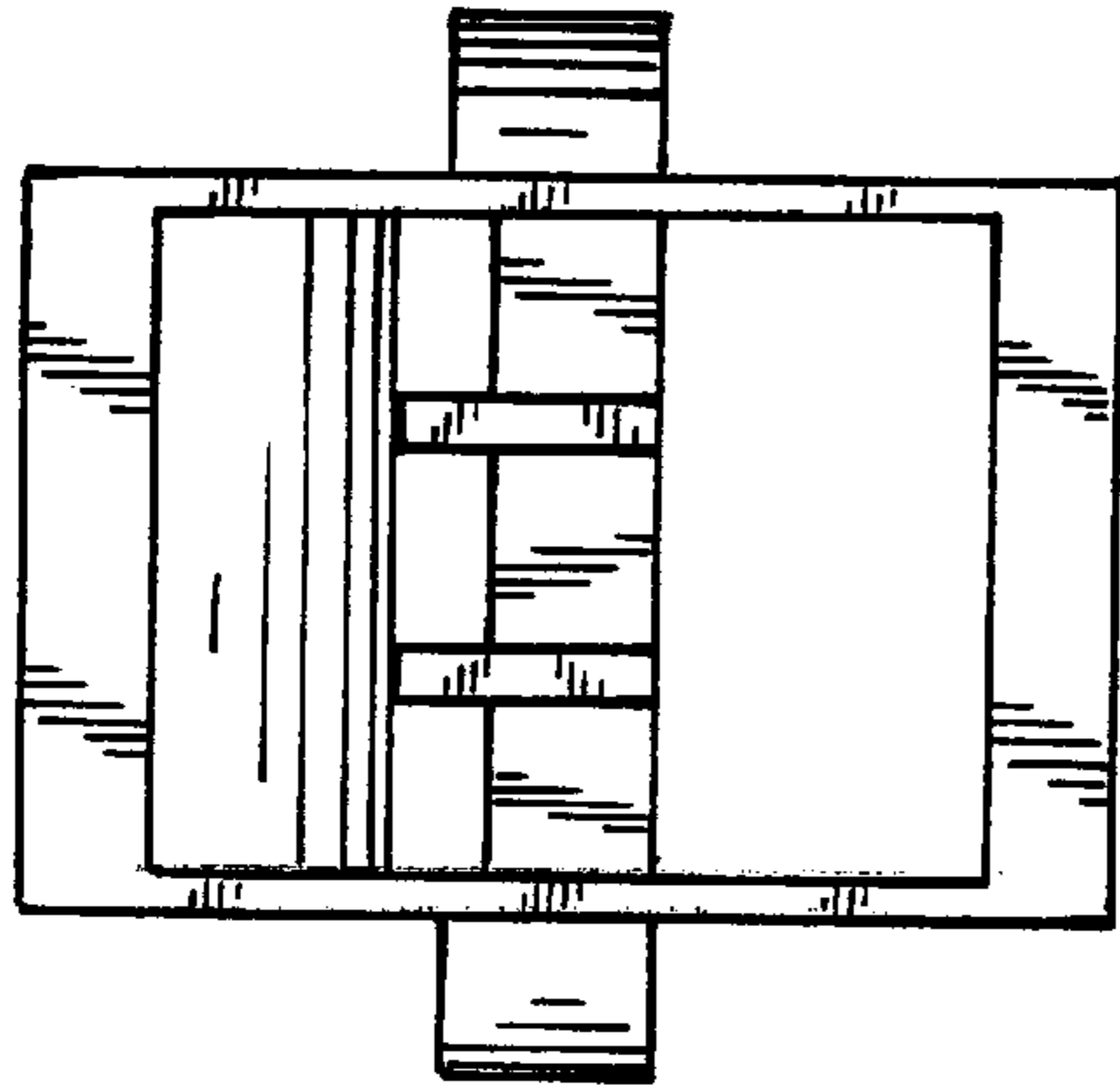


FIG. 3

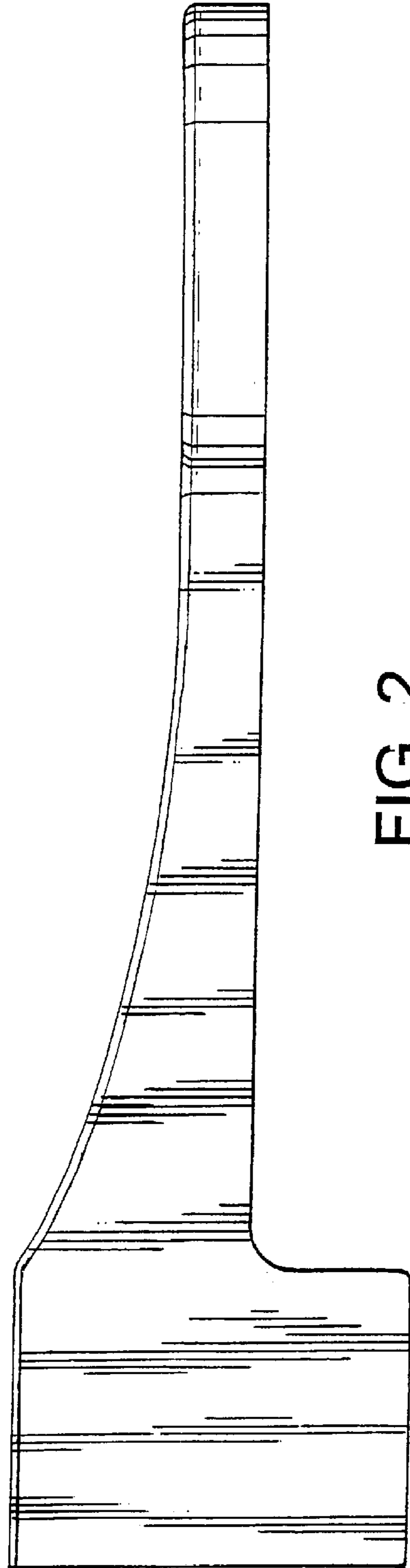


FIG. 2

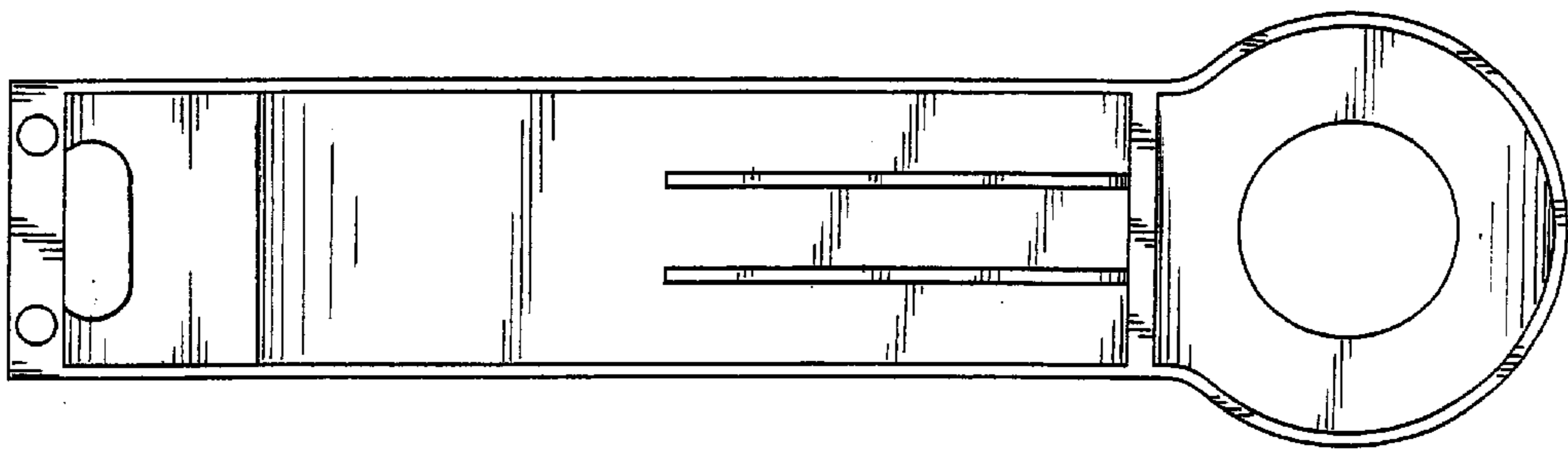


FIG. 4