



US00D457417S

(12) **United States Design Patent**  
**De Lima Castro**

(10) **Patent No.:** **US D457,417 S**

(45) **Date of Patent:** **\*\* May 21, 2002**

(54) **SECURITY SEAL**

(75) Inventor: **Andre De Lima Castro**, Rio de Janeiro (BR)

(73) Assignee: **Starlock Industria E Comercio LTDA**, Rio De Janeiro (BR)

(\*\*) Term: **14 Years**

(21) Appl. No.: **29/137,949**

(22) Filed: **Mar. 5, 2001**

(30) **Foreign Application Priority Data**

Sep. 6, 2000 (BR) ..... DI 6002566

(51) **LOC (7) Cl.** ..... **08-07**

(52) **U.S. Cl.** ..... **D8/333**

(58) **Field of Search** ..... D8/333; 292/307, 292/307 A, 307 B, 307 R, 317

(56) **References Cited**

**U.S. PATENT DOCUMENTS**

- 3,533,653 A \* 10/1970 Kaiho ..... 292/317
- 4,342,477 A \* 8/1982 McClure ..... 292/307 R
- D292,552 S \* 11/1987 Tritton et al. .... D8/333
- D347,157 S \* 5/1994 Brown ..... D8/333
- 5,647,620 A \* 7/1997 Kuenzel ..... 292/317
- 6,283,517 B1 \* 9/2001 Nazzari ..... 292/307 B X

\* cited by examiner

*Primary Examiner*—Brian N. Vinson

(74) *Attorney, Agent, or Firm*—Smith, Gambrell & Russell

(57) **CLAIM**

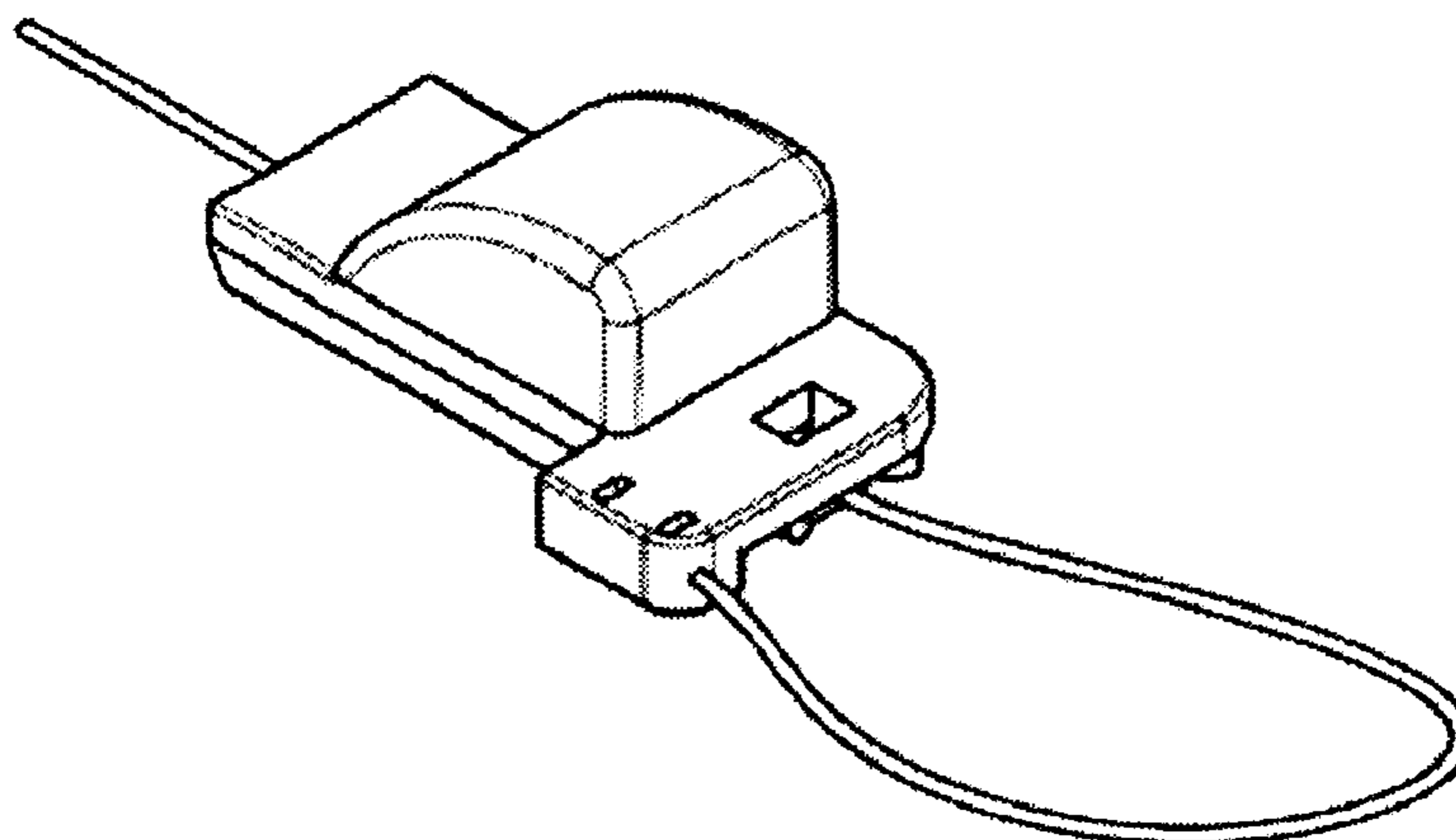
The ornamental design for a security seal, as shown and described.

**DESCRIPTION**

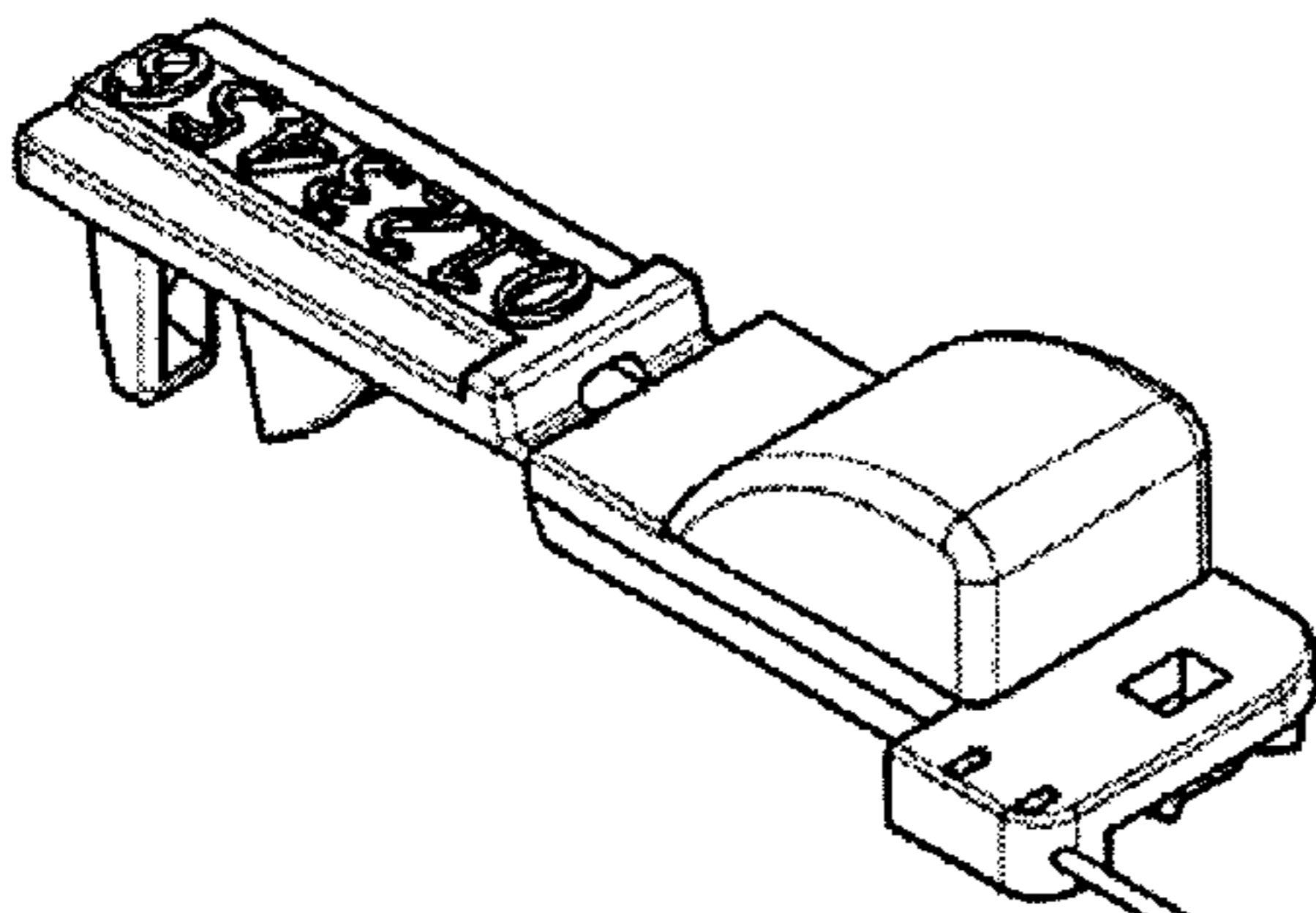
FIG. 1 is a perspective view of a first embodiment of a security seal showing my new design in an open position; FIG. 2 is a perspective view thereof, in a closed position;

FIG. 3 is a perspective view thereof, in a partially closed position;  
 FIG. 4 is a bottom plan view thereof, in an open position;  
 FIG. 5 is a side elevational view thereof, in an open position;  
 FIG. 6 is a top plan view thereof;  
 FIG. 7 is an end elevational view thereof;  
 FIG. 8 is an opposite end elevational view thereof;  
 FIG. 9 is a perspective view of a second embodiment of a security seal showing my new design in an open position;  
 FIG. 10 is a perspective view thereof, in a closed position;  
 FIG. 11 is a perspective view thereof, in a partially closed position;  
 FIG. 12 is a bottom plan view thereof, in an open position;  
 FIG. 13 is a side elevational view thereof, in an open position;  
 FIG. 14 is a top plan view thereof;  
 FIG. 15 is an end elevational view thereof;  
 FIG. 16 is an opposite end elevational view thereof;  
 FIG. 17 is a perspective view of a third embodiment of a security seal showing my new design in an open position;  
 FIG. 18 is a perspective view thereof, in a closed position;  
 FIG. 19 is a perspective view thereof, in a partially closed position;  
 FIG. 20 is a bottom plan view thereof, in an open position;  
 FIG. 21 is a side elevational view thereof, in an open position;  
 FIG. 22 is a top plan view thereof;  
 FIG. 23 is an end elevational view thereof;  
 FIG. 24 is an opposite end elevational view thereof;  
 FIG. 25 is a perspective view of a fourth embodiment of a security seal showing my new design in an open position;  
 FIG. 26 is a perspective view thereof, in a closed position;  
 FIG. 27 is a perspective view thereof, in a partially closed position;  
 FIG. 28 is a bottom plan view thereof, in an open position;  
 FIG. 29 is a side elevational view thereof, in an open position;  
 FIG. 30 is a top plan view thereof;  
 FIG. 31 is an end elevational view thereof; and,  
 FIG. 32 is an opposite end elevational view thereof.

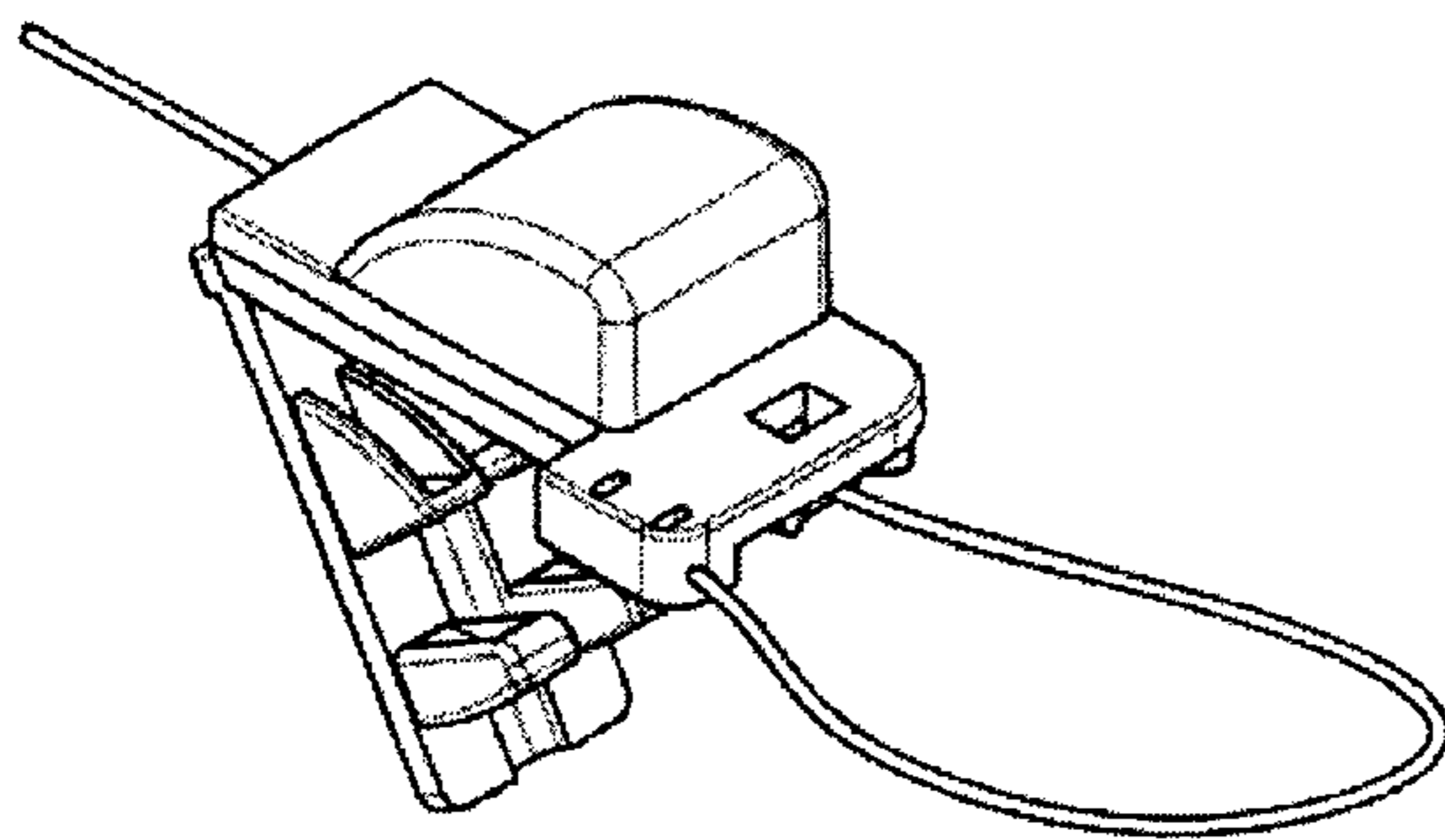
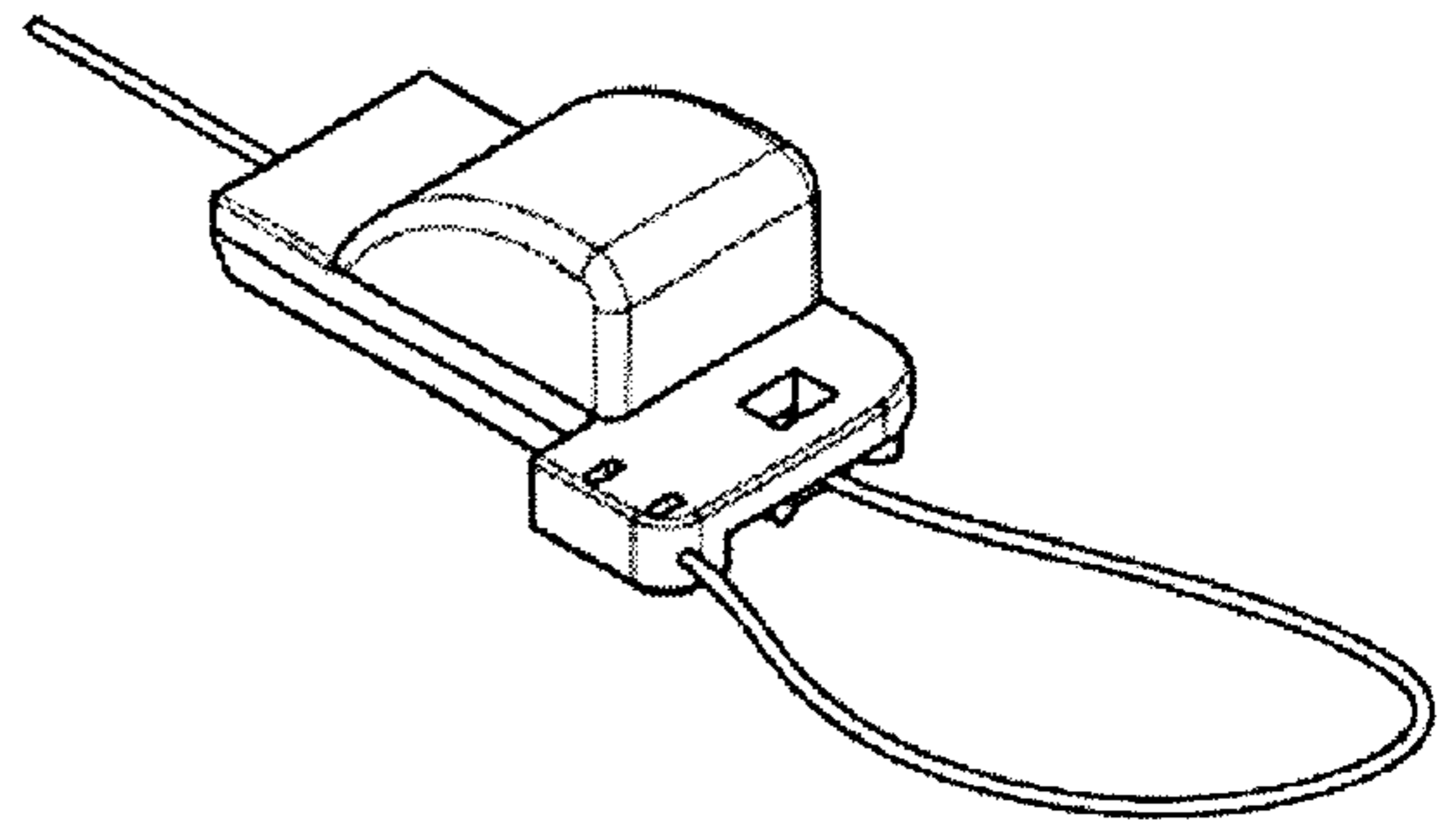
**1 Claim, 8 Drawing Sheets**



**FIG. 1**

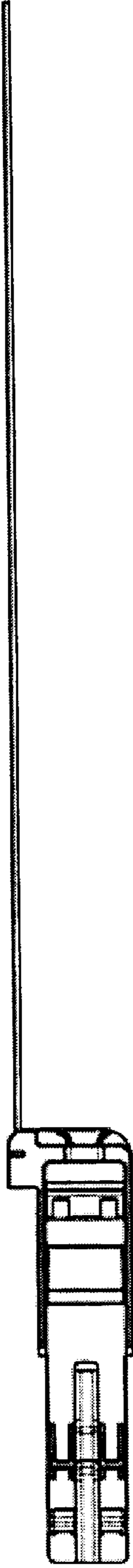


**FIG. 2**

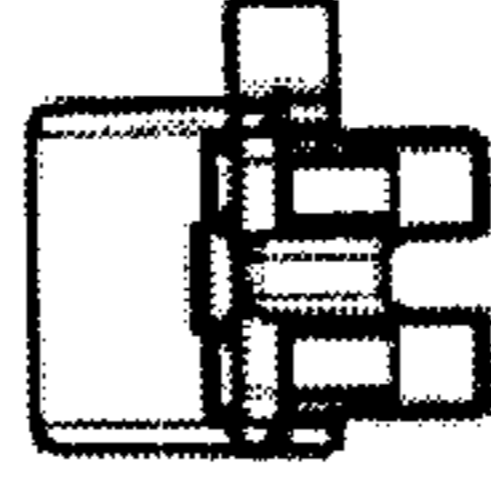


**FIG. 3**

**FIG. 4**



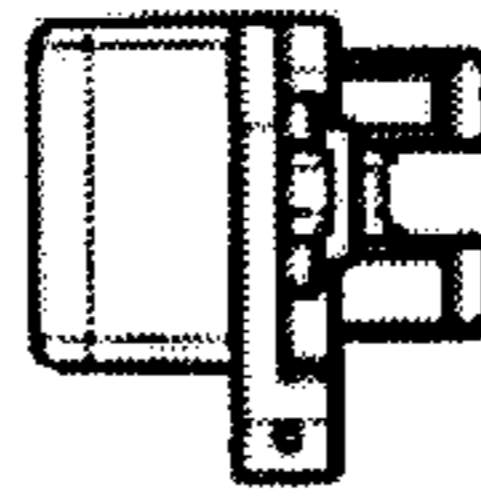
**FIG. 8**



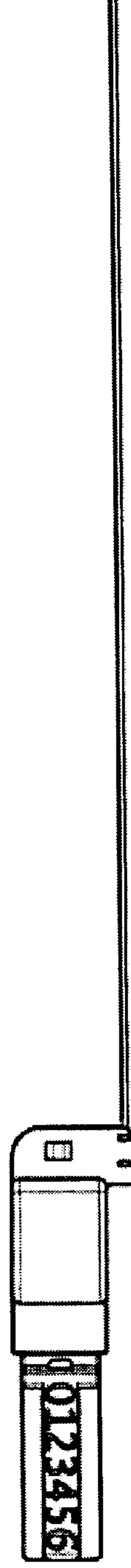
**FIG. 5**



**FIG. 7**



**FIG. 6**



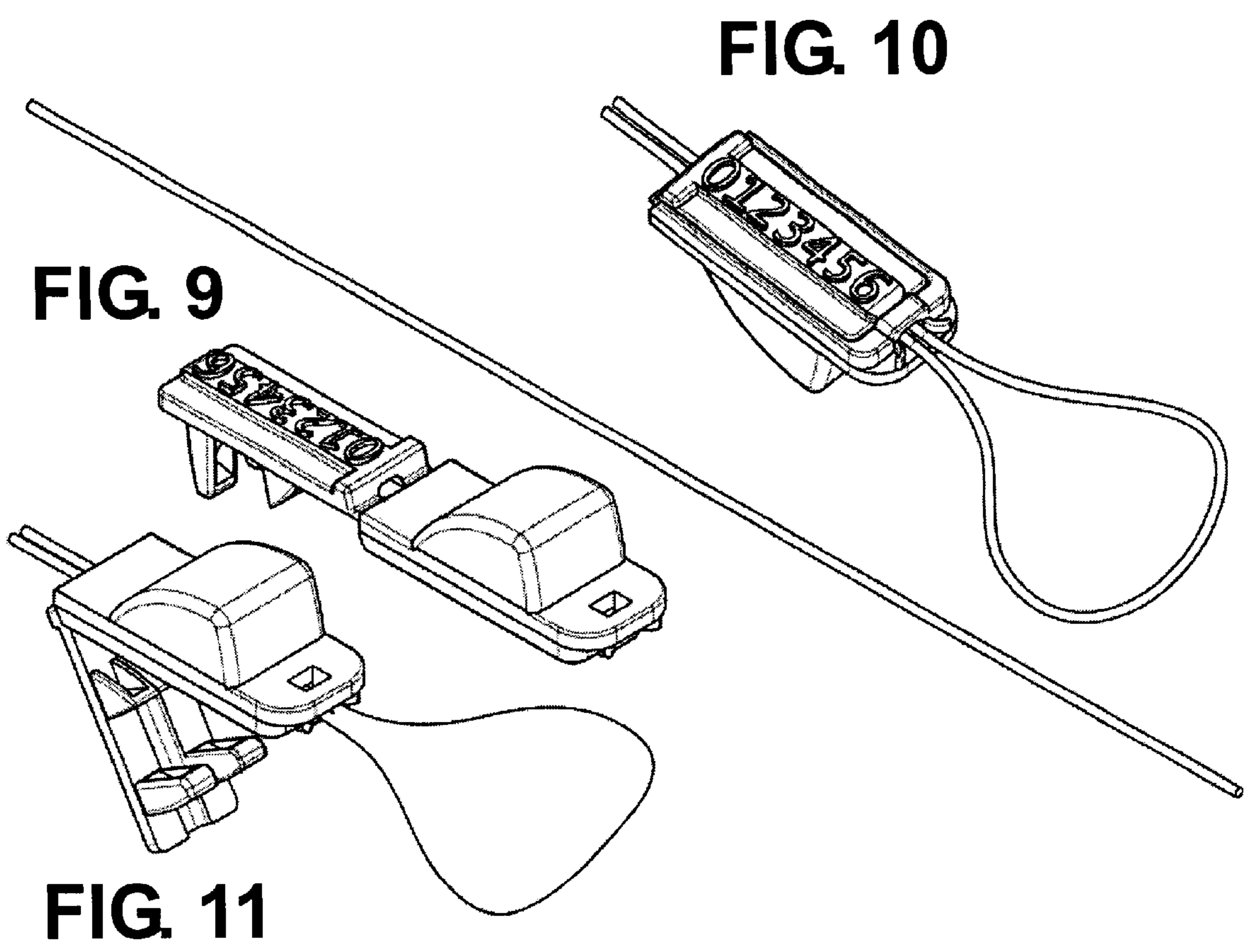




FIG. 12

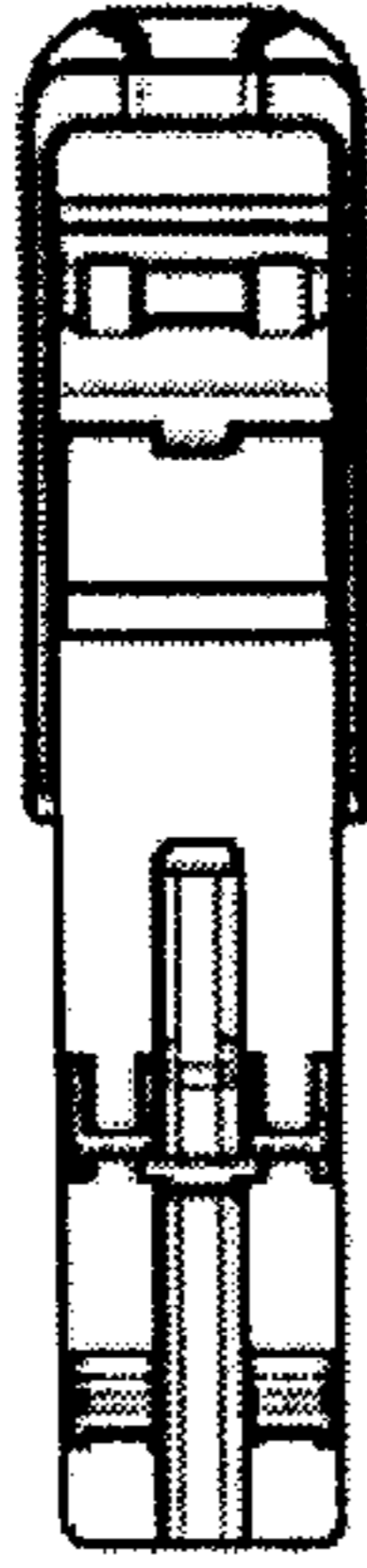


FIG. 13

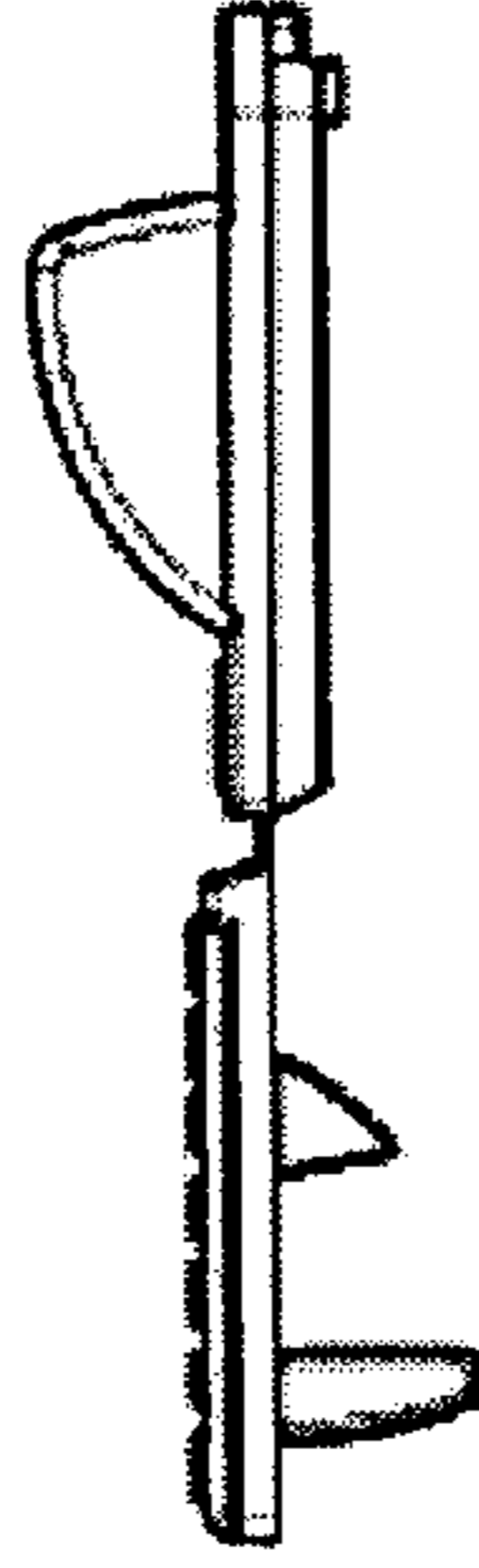


FIG. 15

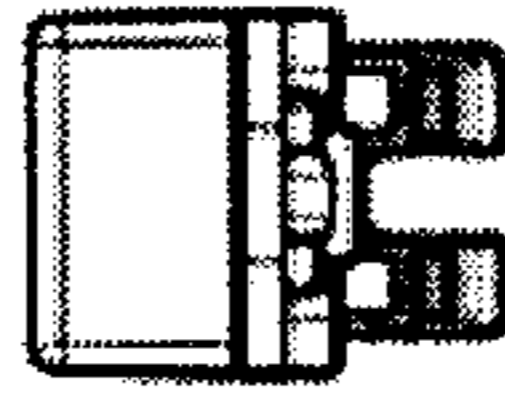
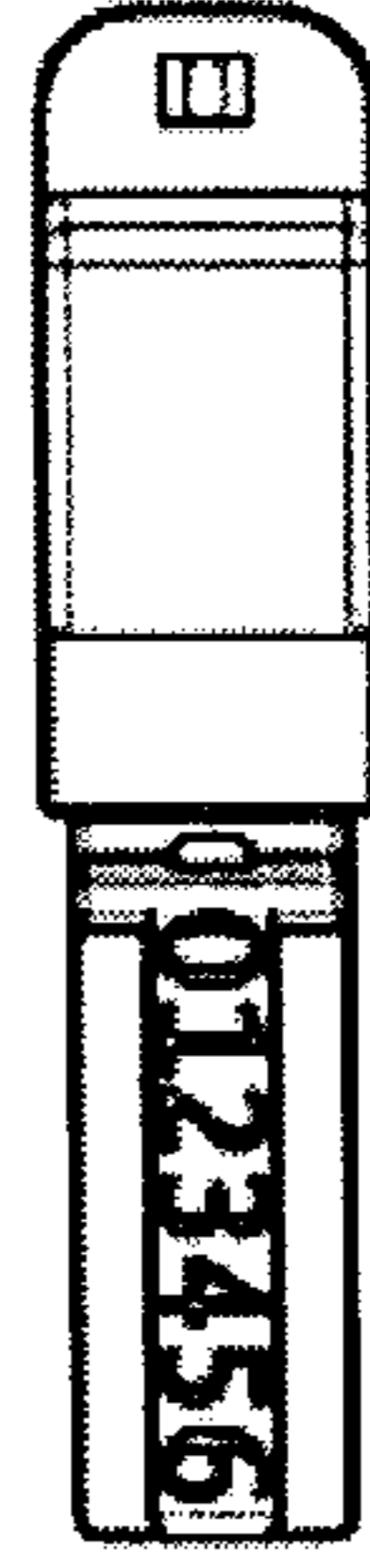


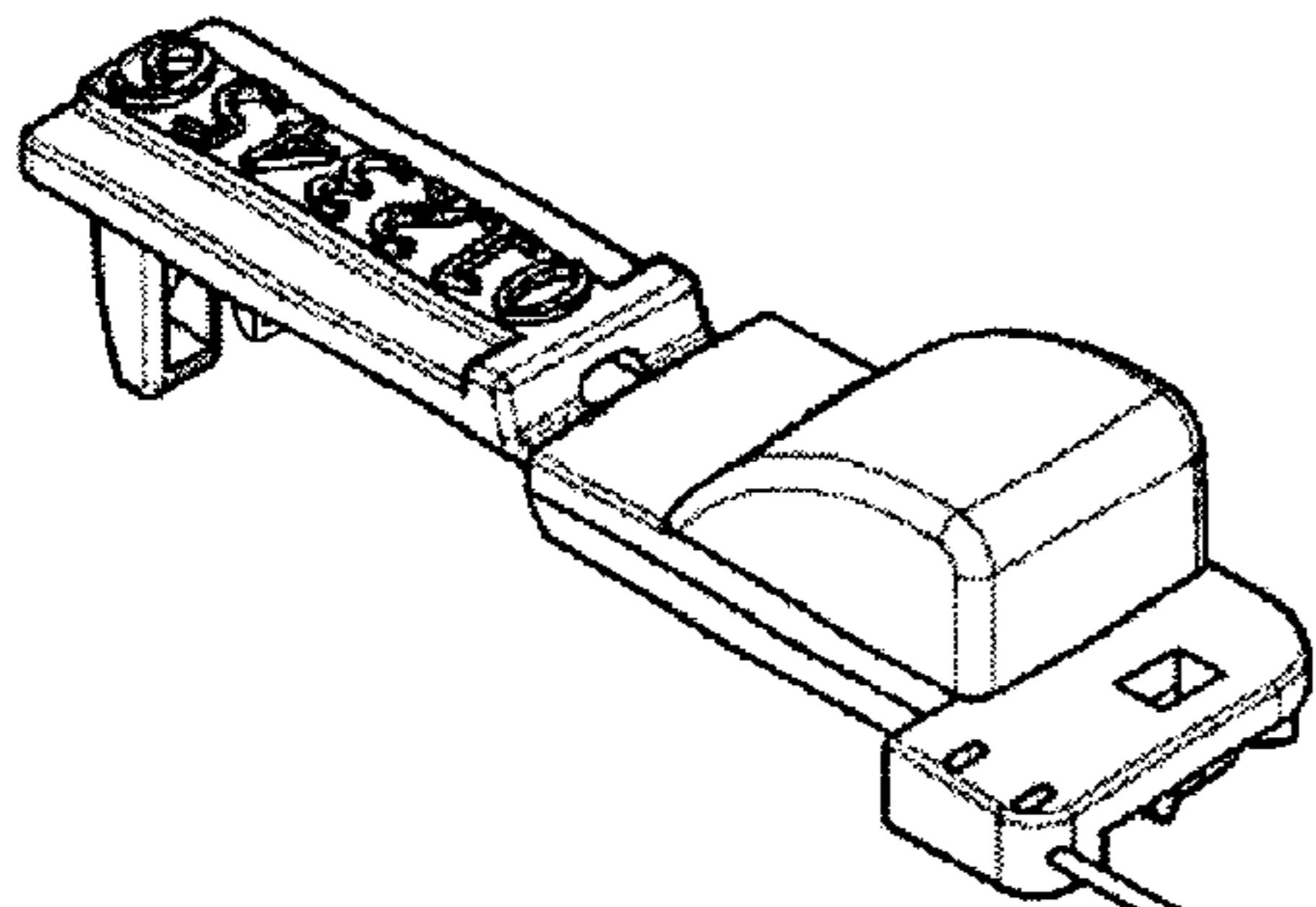
FIG. 16



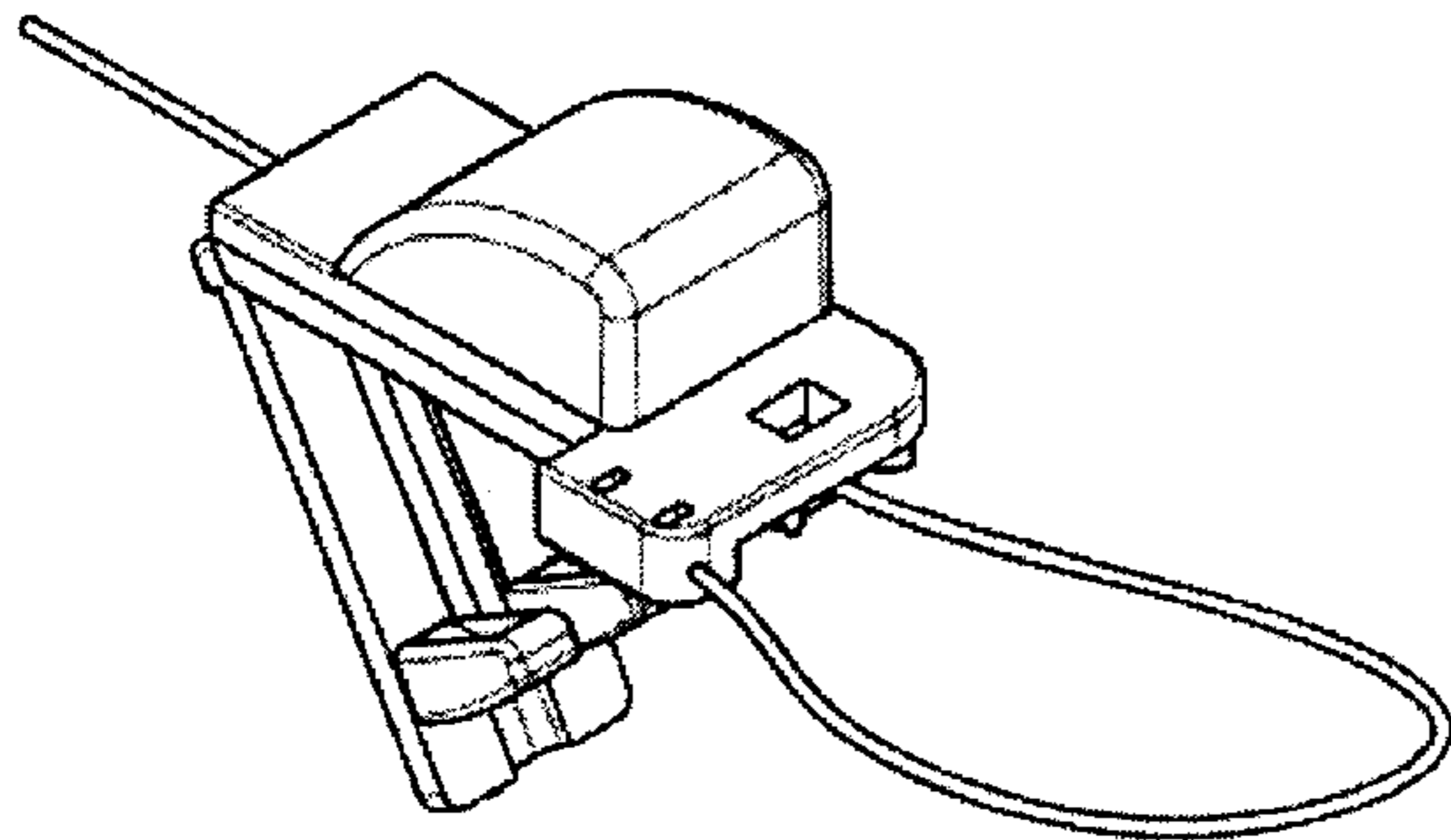
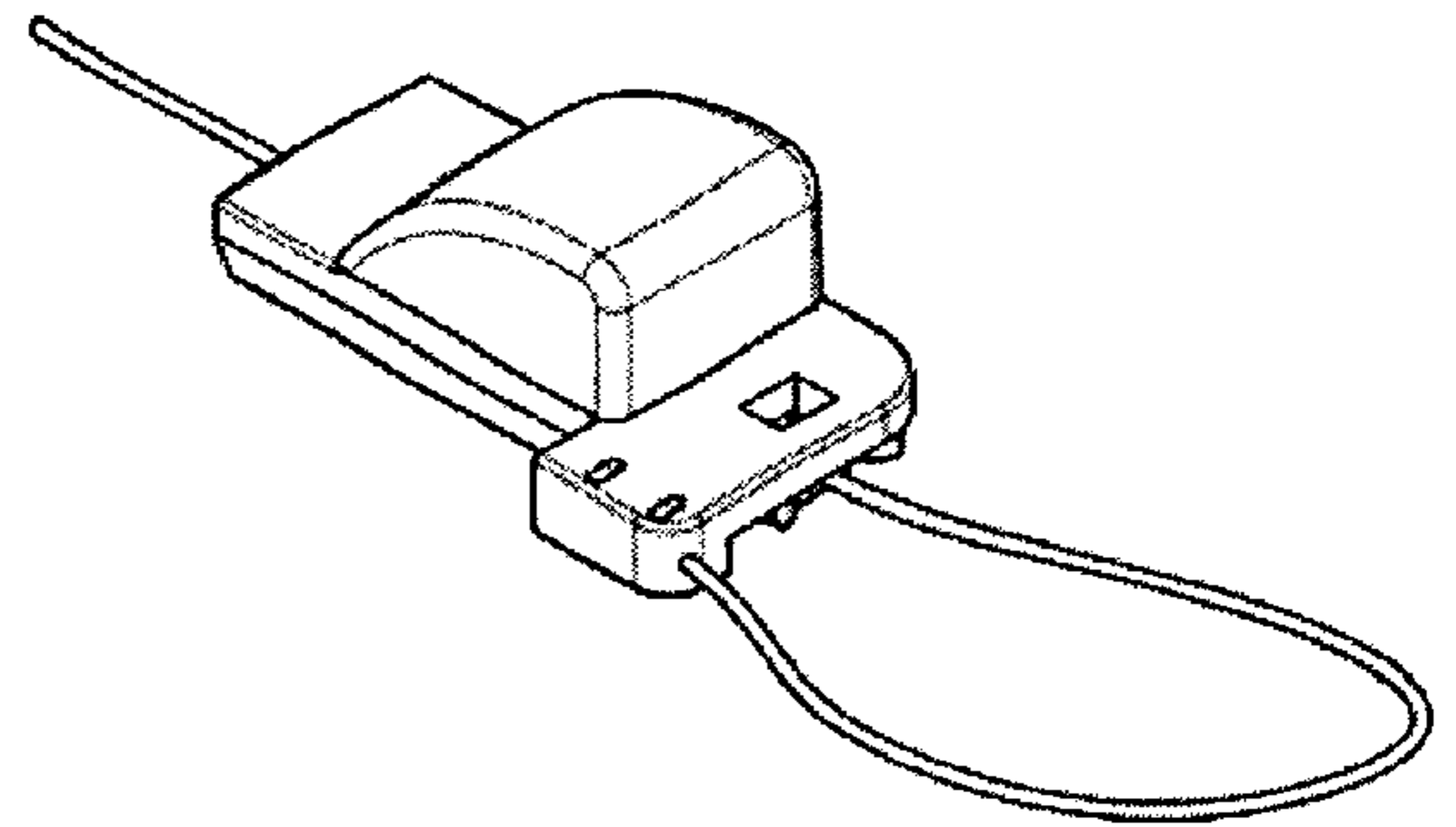
FIG. 14



**FIG. 17**



**FIG. 18**



**FIG. 19**

FIG. 20

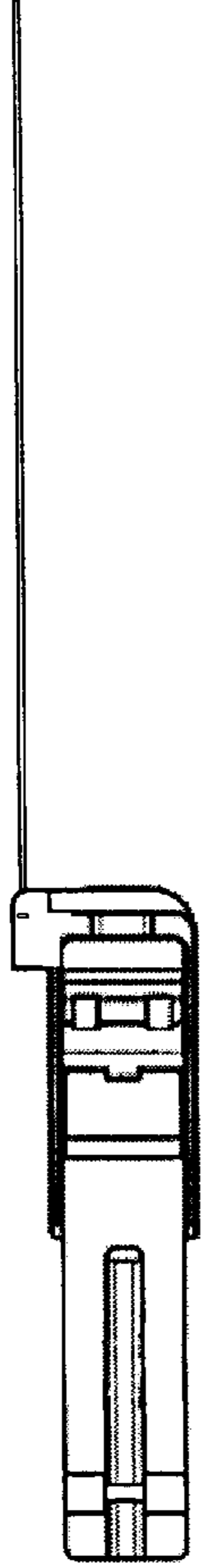


FIG. 24

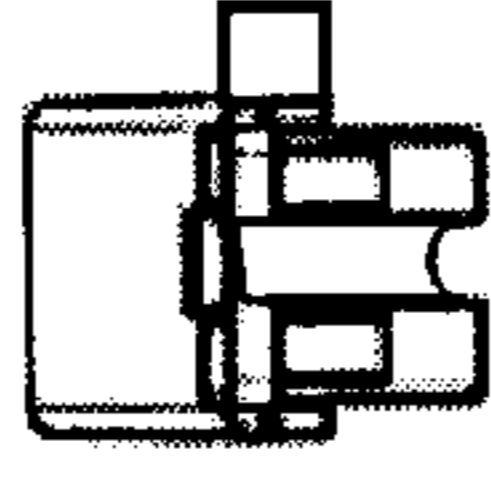


FIG. 21

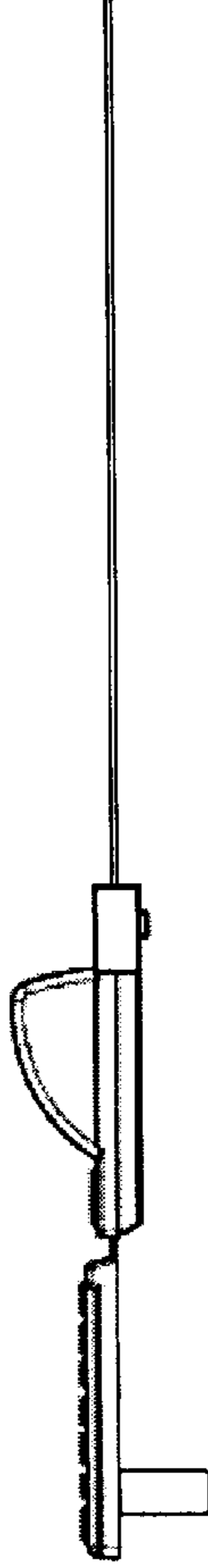


FIG. 23

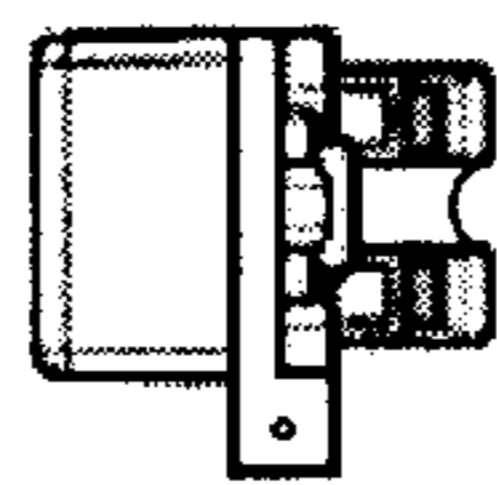
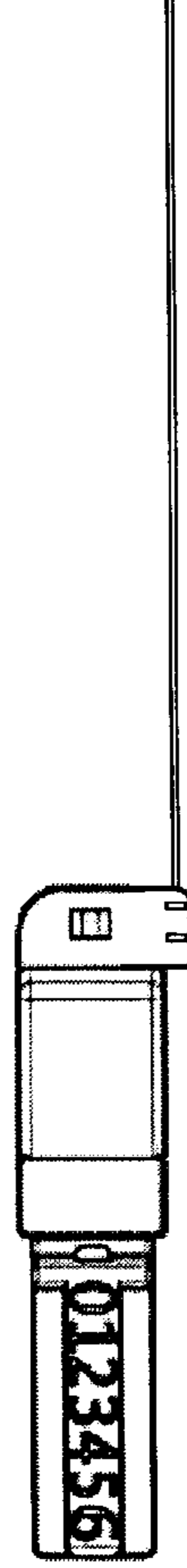
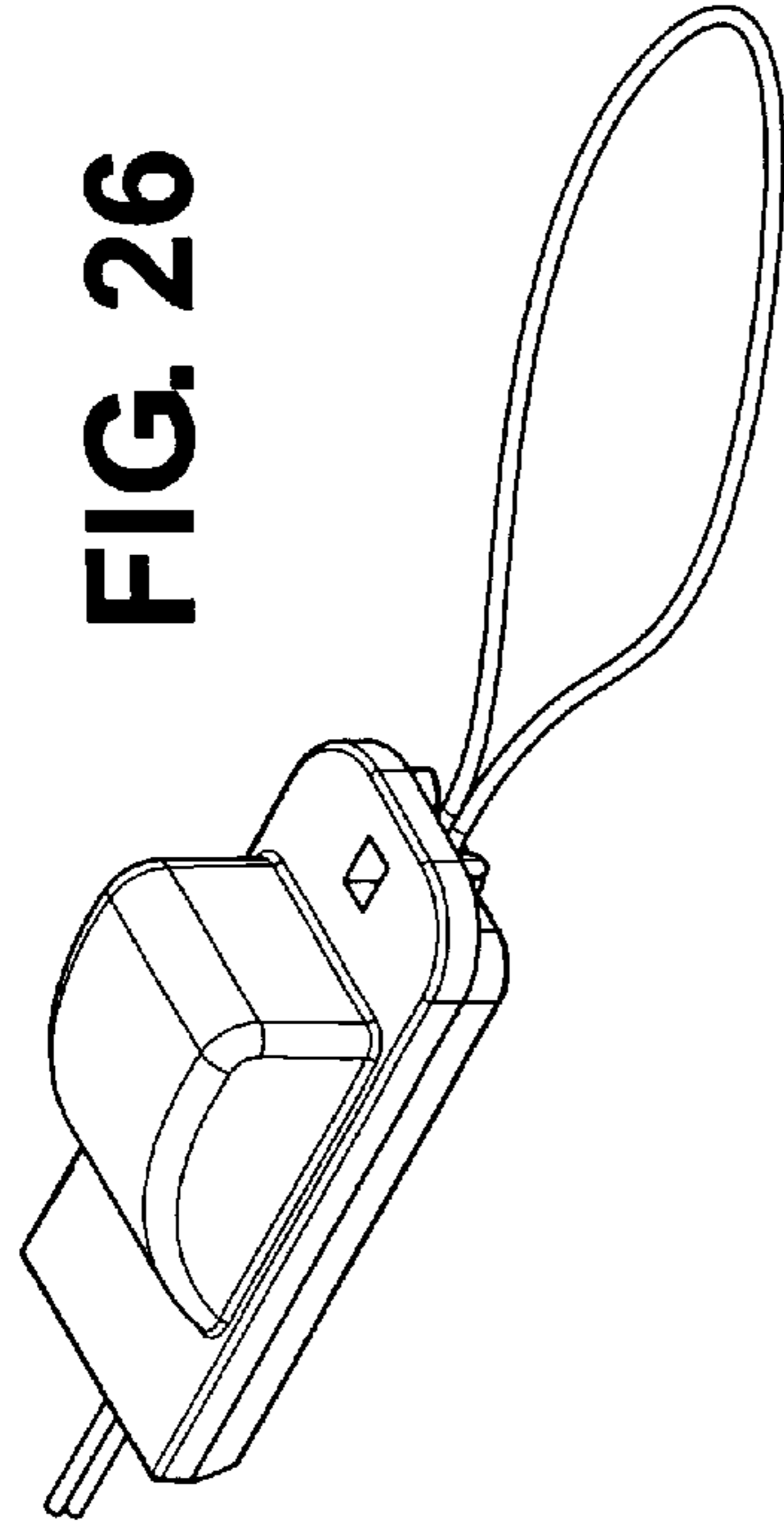
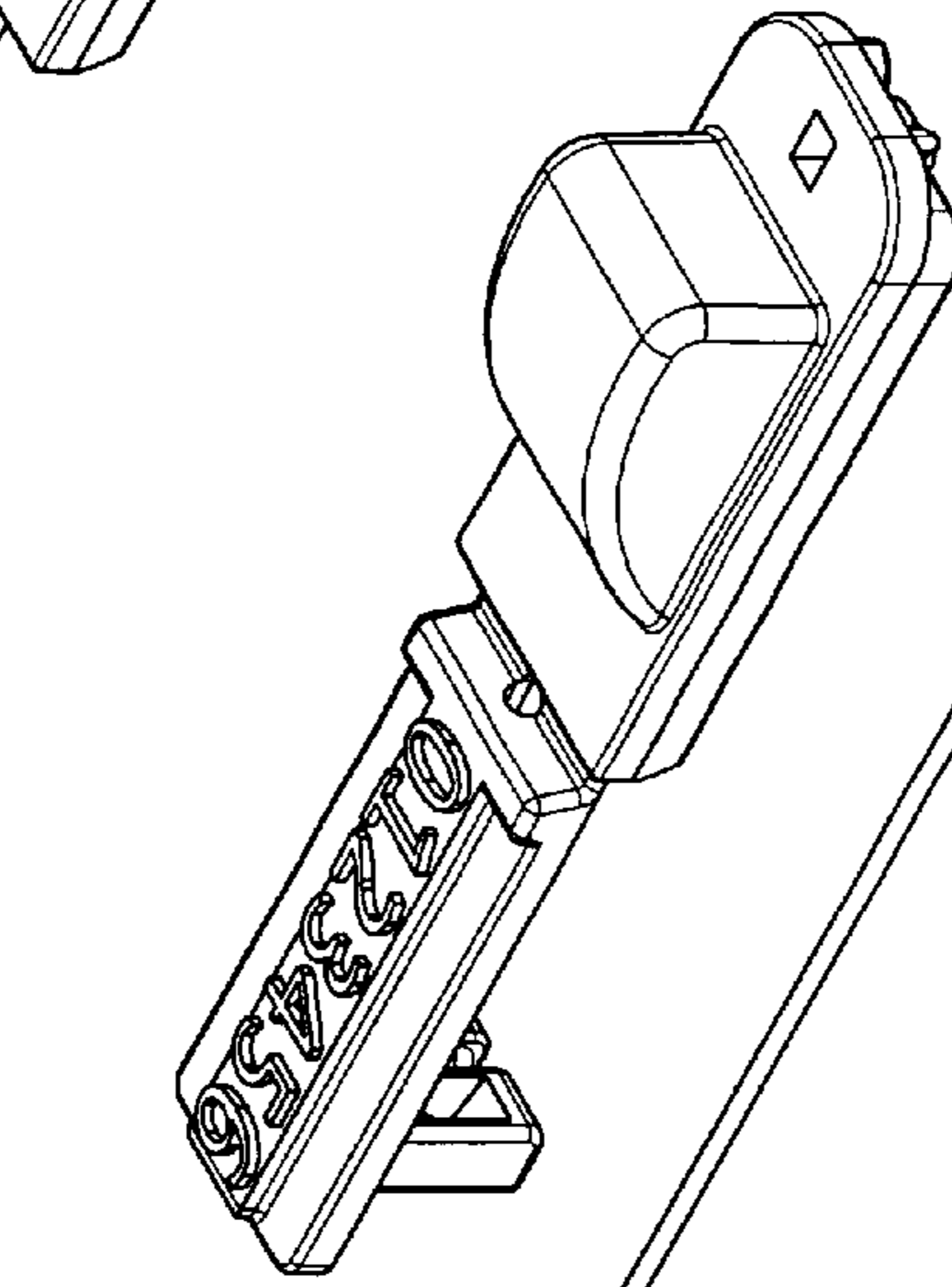


FIG. 22

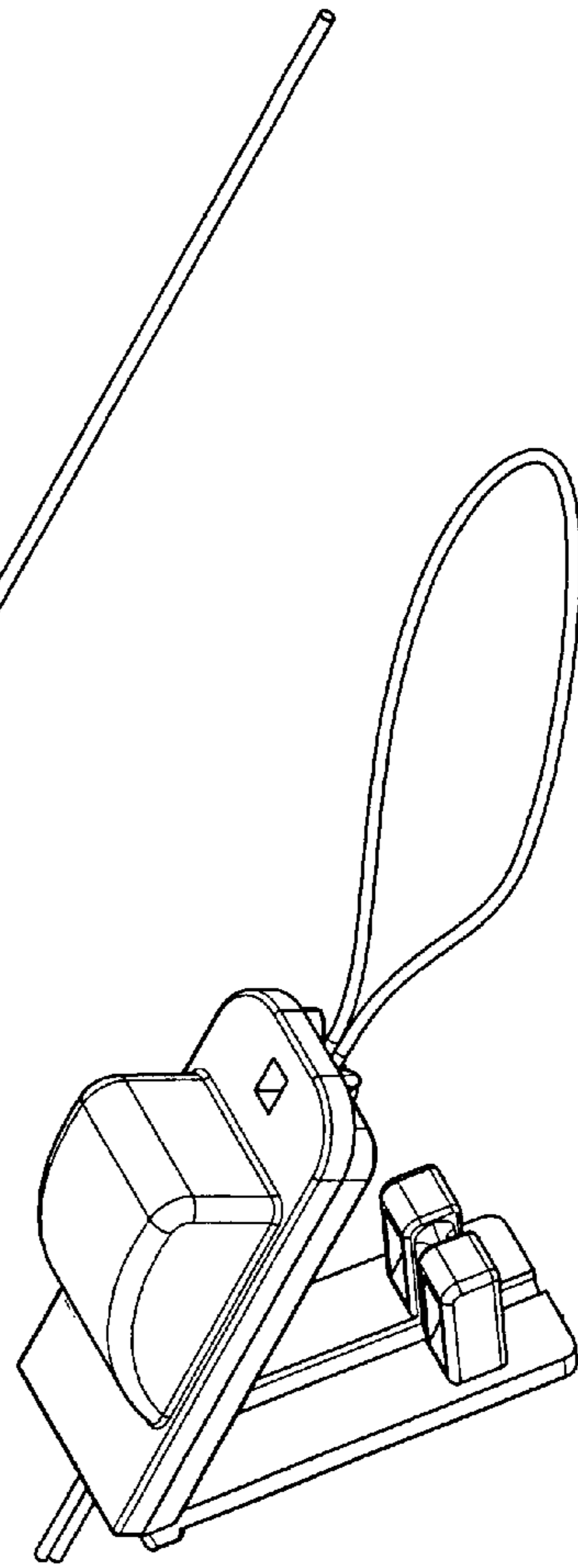




**FIG. 26**



**FIG. 25**



**FIG. 27**



FIG. 28

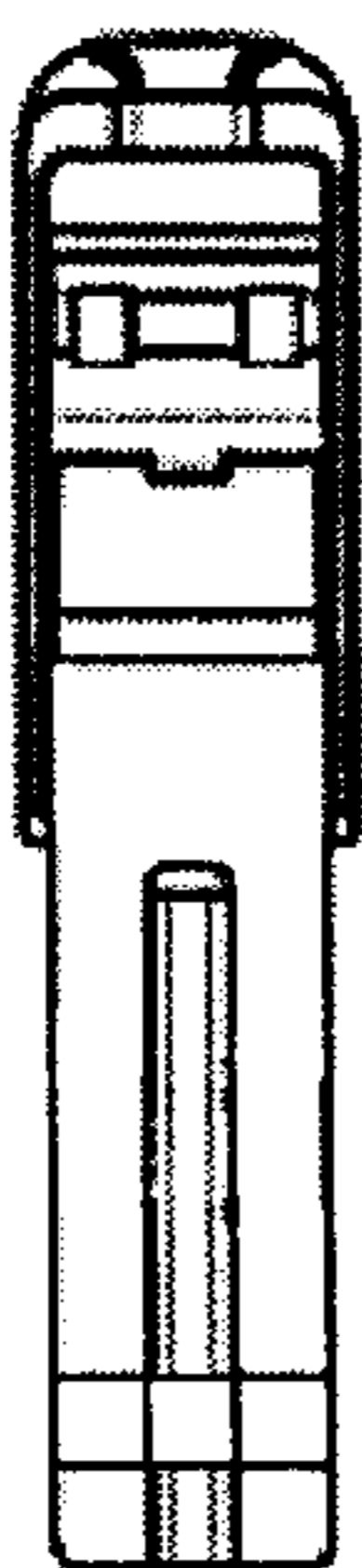


FIG. 29

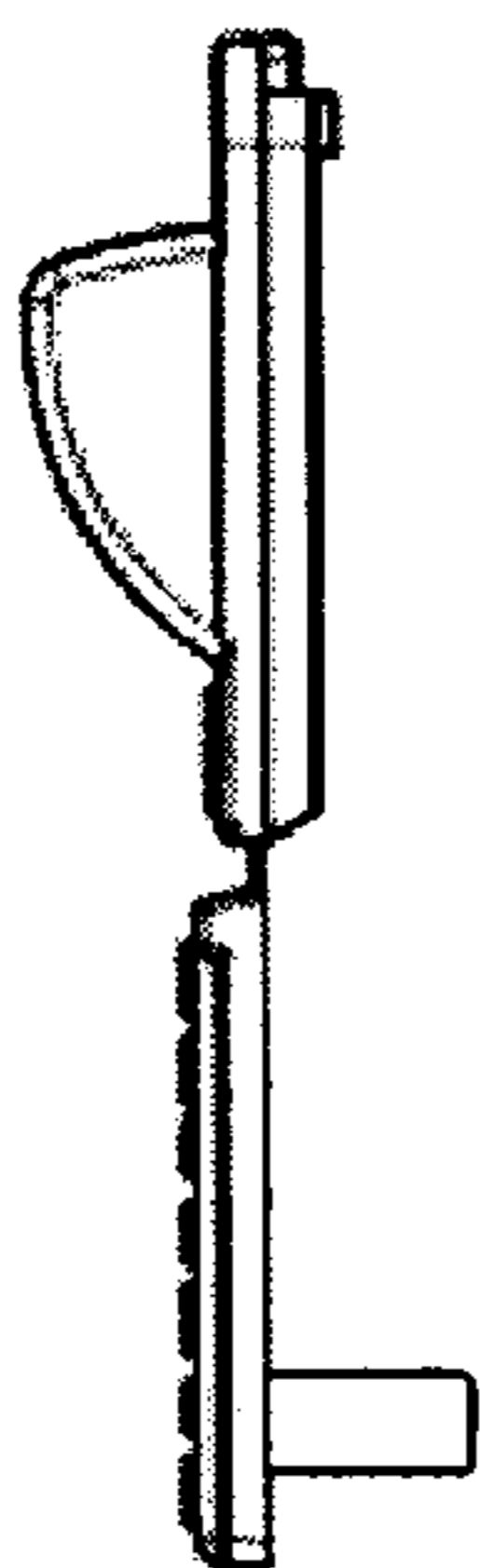


FIG. 30

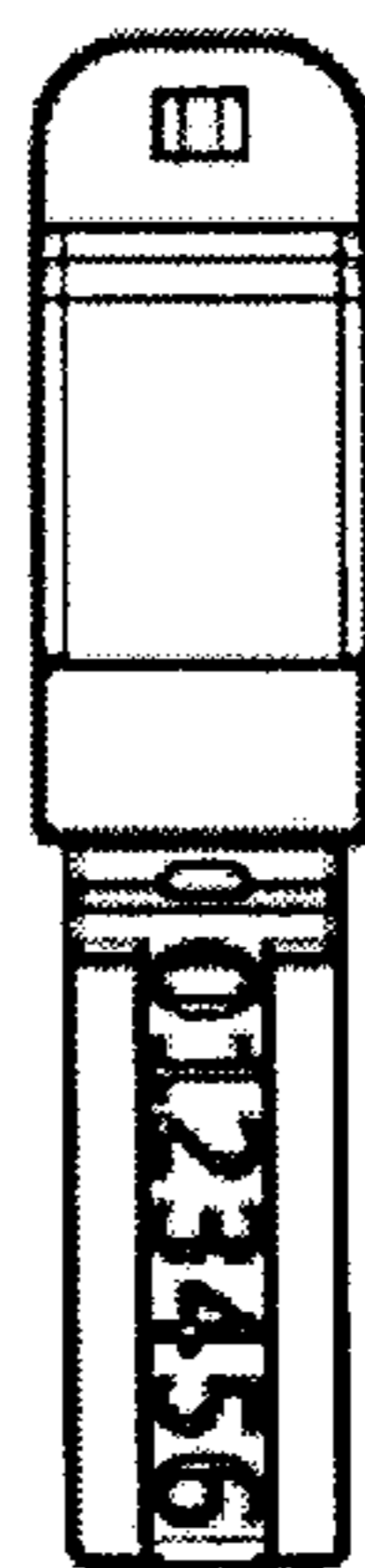


FIG. 31

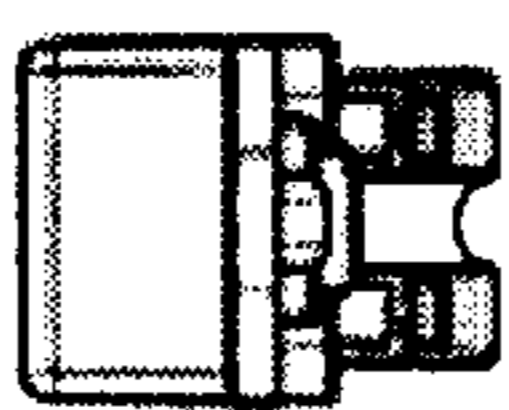


FIG. 32

