



US00D457415S

(12) **United States Design Patent**
Caspersz

(10) **Patent No.:** **US D457,415 S**

(45) **Date of Patent:** **** May 21, 2002**

(54) **SET OF HANDLES**

(75) Inventor: **Craig A. Caspersz**, Carnegie (AU)

(73) Assignee: **Lockwood Security Products Pty. Ltd.**
(AU)

(**) Term: **14 Years**

(21) Appl. No.: **29/148,639**

(22) Filed: **Sep. 24, 2001**

(30) **Foreign Application Priority Data**

May 1, 2001 (AU) 1433/01

(51) **LOC (7) Cl.** **08-06**

(52) **U.S. Cl.** **D8/308**

(58) **Field of Search** D8/307, 308, 310,
D8/311, 301, 302; 16/414, 412, 110.1;
292/336.3, 356; 74/523, 543; D23/250-254

(56) **References Cited**

U.S. PATENT DOCUMENTS

| | | | | | |
|-----------|---|---|--------|----------------|---------|
| 3,129,606 | A | * | 4/1964 | Harty, Jr. | |
| D238,928 | S | * | 2/1976 | Kipp | D23/252 |
| D295,947 | S | * | 5/1988 | Valli | D8/308 |
| D314,129 | S | * | 1/1991 | Zanini | D8/301 |
| D332,904 | S | * | 2/1993 | Plummer et al. | D8/308 |
| D346,105 | S | * | 4/1994 | Shaanan | D8/301 |
| D369,964 | S | * | 5/1996 | Decursu et al. | D8/302 |

* cited by examiner

Primary Examiner—B. J. Bullock

(74) *Attorney, Agent, or Firm*—Lerner, David, Littenberg,
Krumholz & Mentlik, LLP

(57) **CLAIM**

The ornamental design for a set of handles, as shown and described.

DESCRIPTION

FIG. 1 is a side, perspective view of one of the set of handles

according to the design of the design of the present invention, shown separately for ease of illustration;

FIG. 2 is a front, elevational view of the set of handles shown in FIG. 1;

FIG. 3 is a rear, elevational view of the set of handles shown in FIG. 1;

FIG. 4 is a left side, elevational view of the set of handles shown in FIG. 1, with the right side view being a mirror image thereof;

FIG. 5 is a top, plan view of the set of handles shown in FIG. 1;

FIG. 6 is a bottom, plan view of the set of handles shown in FIG. 1;

FIG. 7 is a side, perspective view of another of the set of handles according to the design of the design of the present invention, shown separately for ease of illustration;

FIG. 8 is a front, elevational view of the set of handles shown in FIG. 7;

FIG. 9 is a rear, elevational view of the set of handles shown in FIG. 7;

FIG. 10 is a left side, elevational view of the set of handles shown in FIG. 7, with the right side view being the mirror image thereof;

FIG. 11 is a top, plan view of the set of handles shown in FIG. 7; and,

FIG. 12 is a bottom, plan view of the set of handles shown in FIG. 7.

FIGS. 2-6 and 8-12 are shown on an enlarged scale.

The broken lines are for illustrative purposes only and form no part of the claimed design.

1 Claim, 4 Drawing Sheets

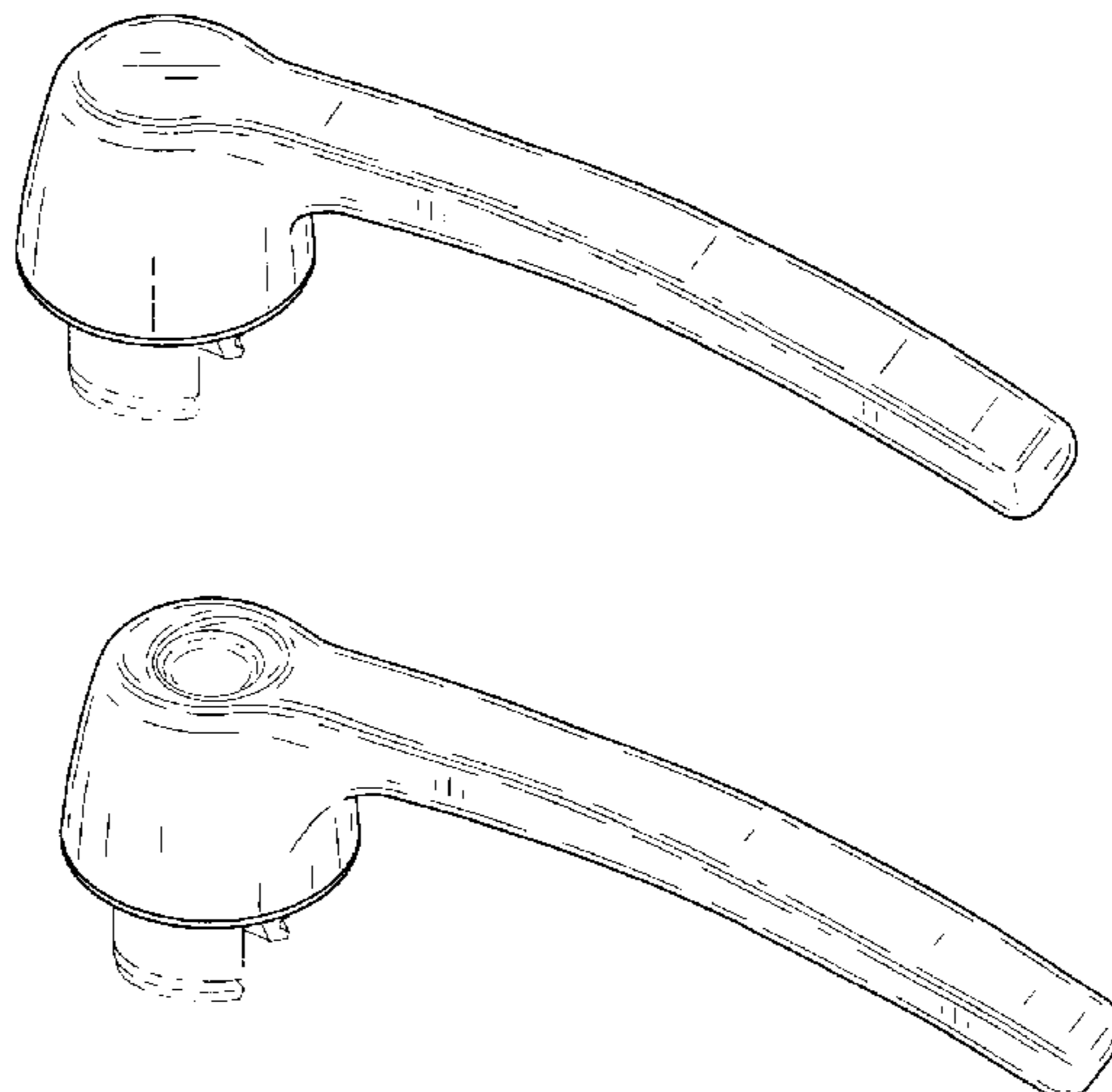


FIG. 1

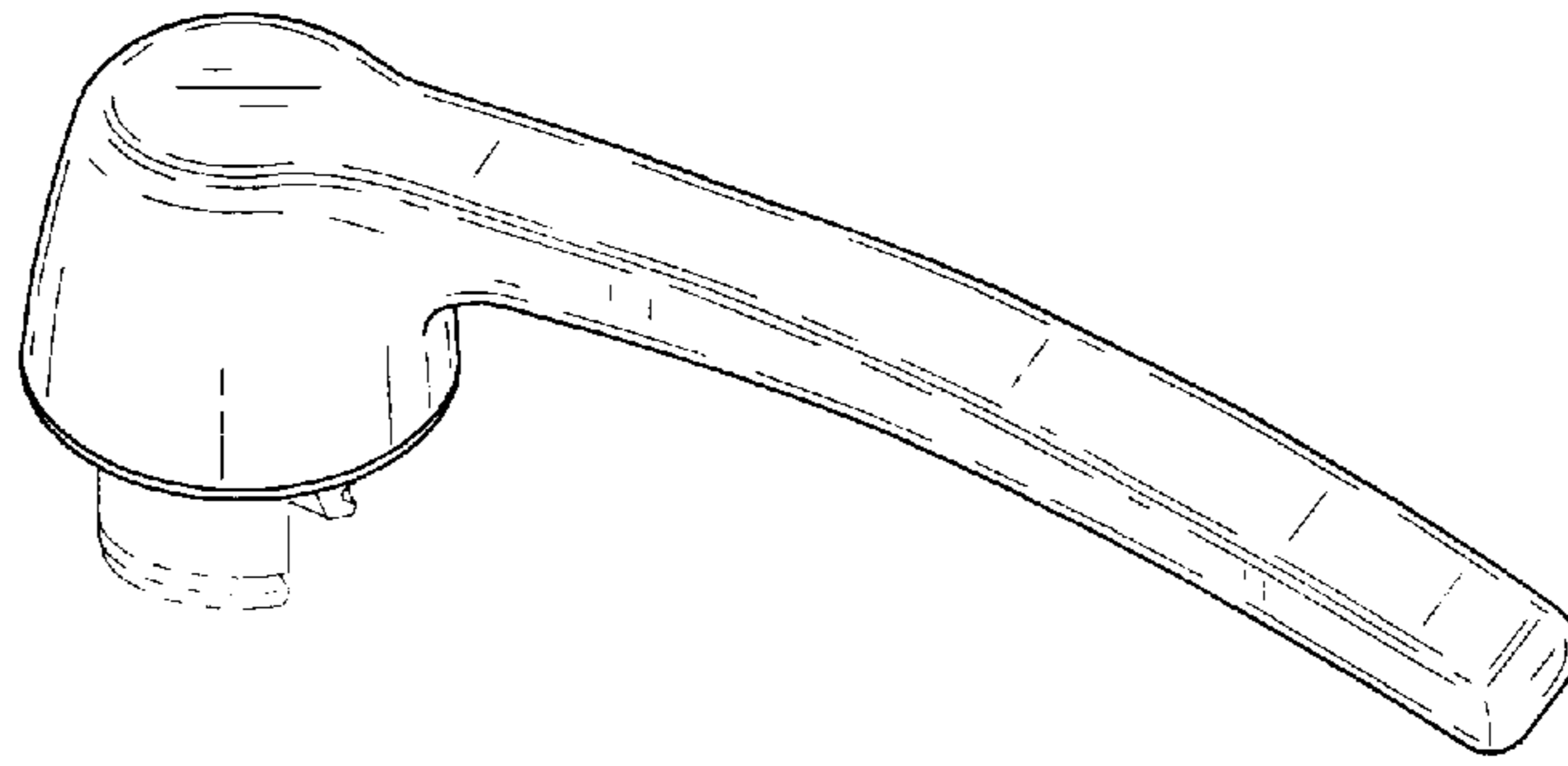


FIG. 2

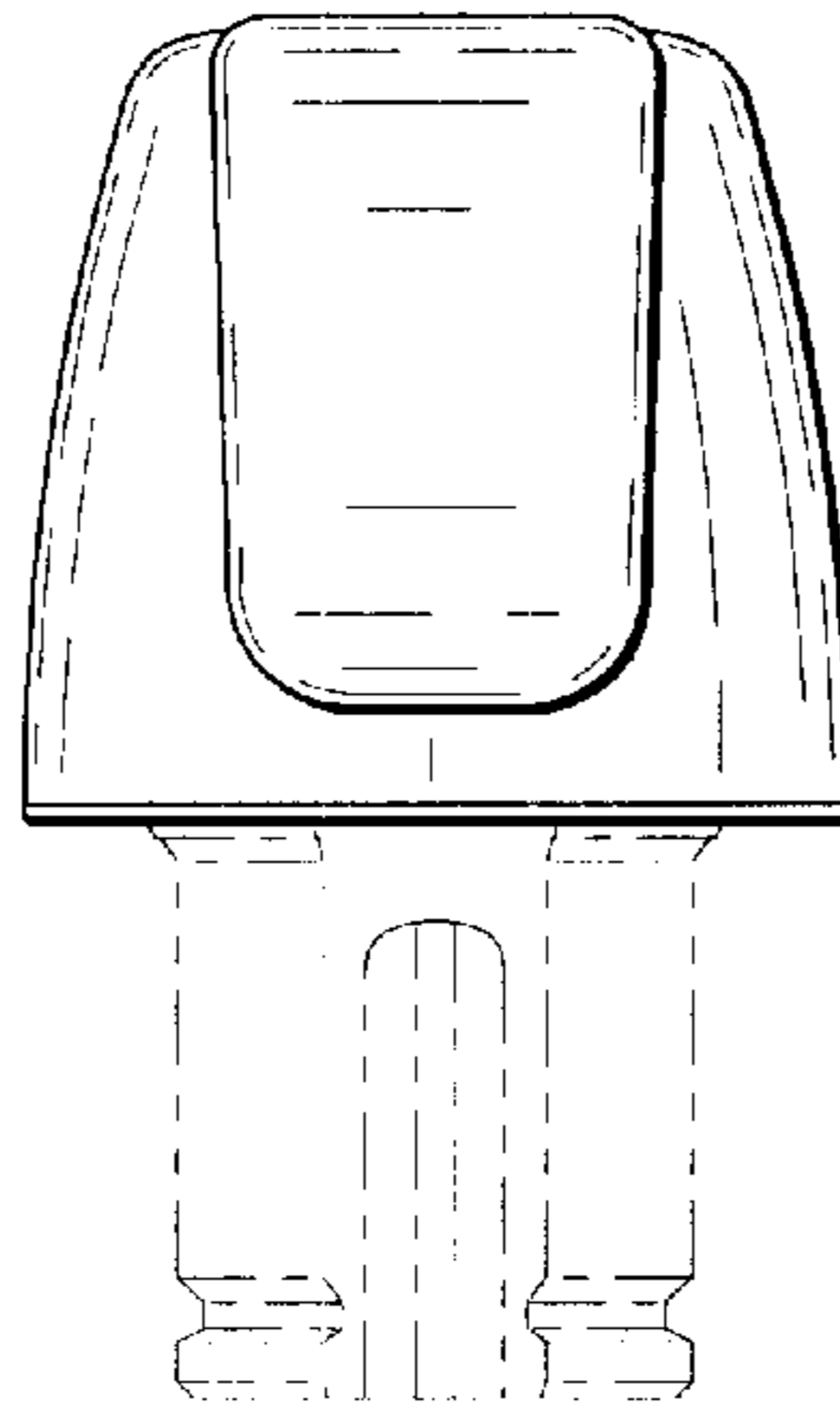


FIG. 3

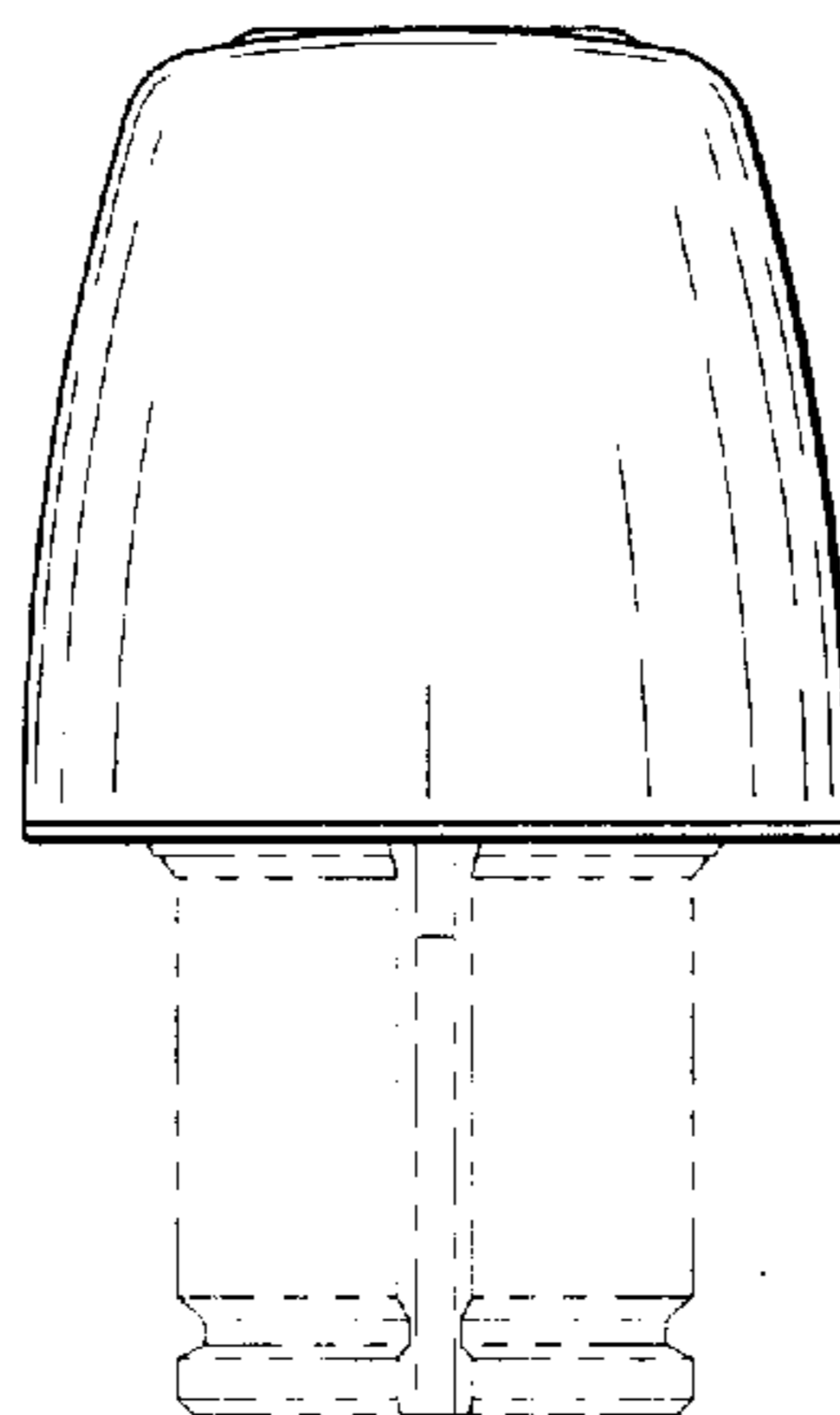


FIG. 4

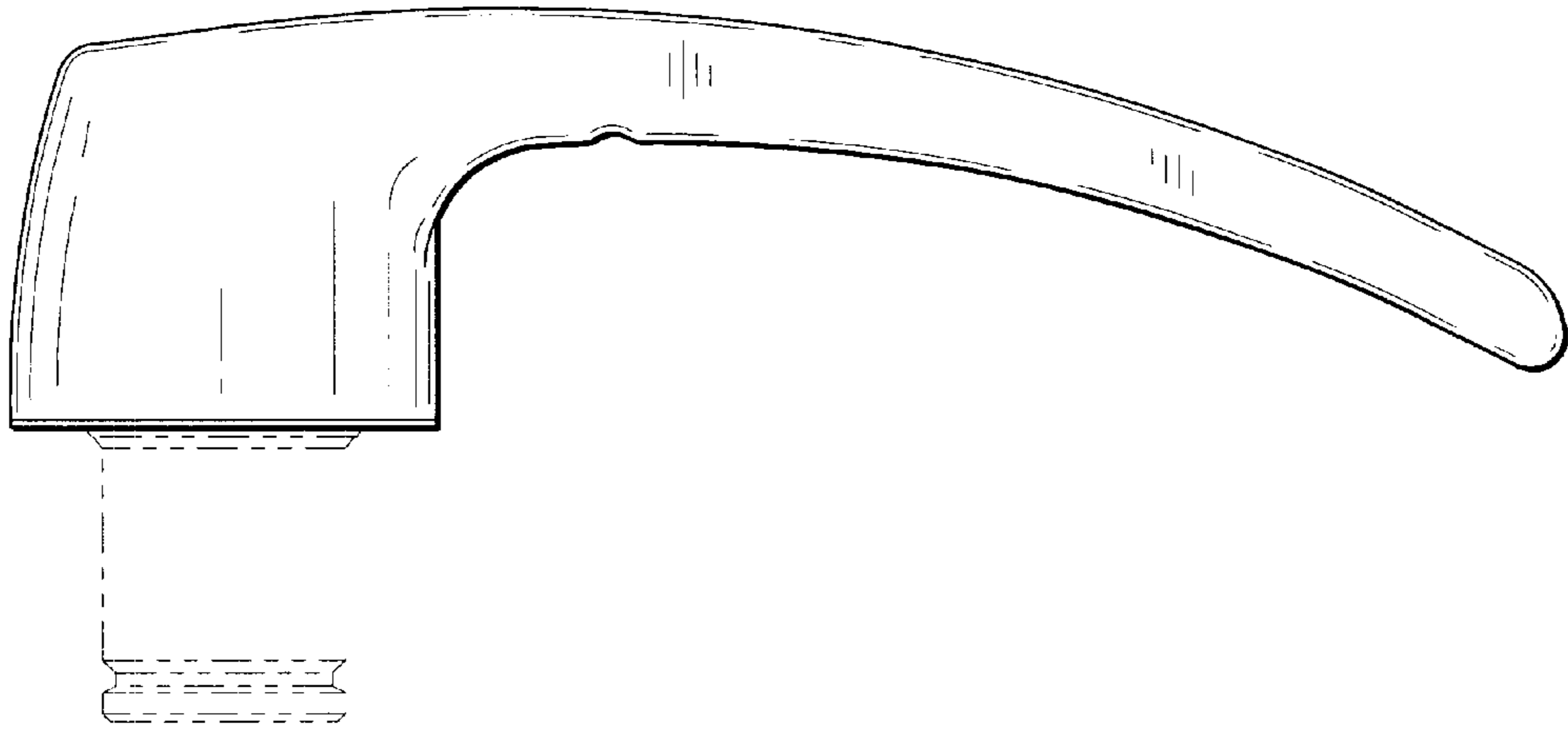


FIG. 5

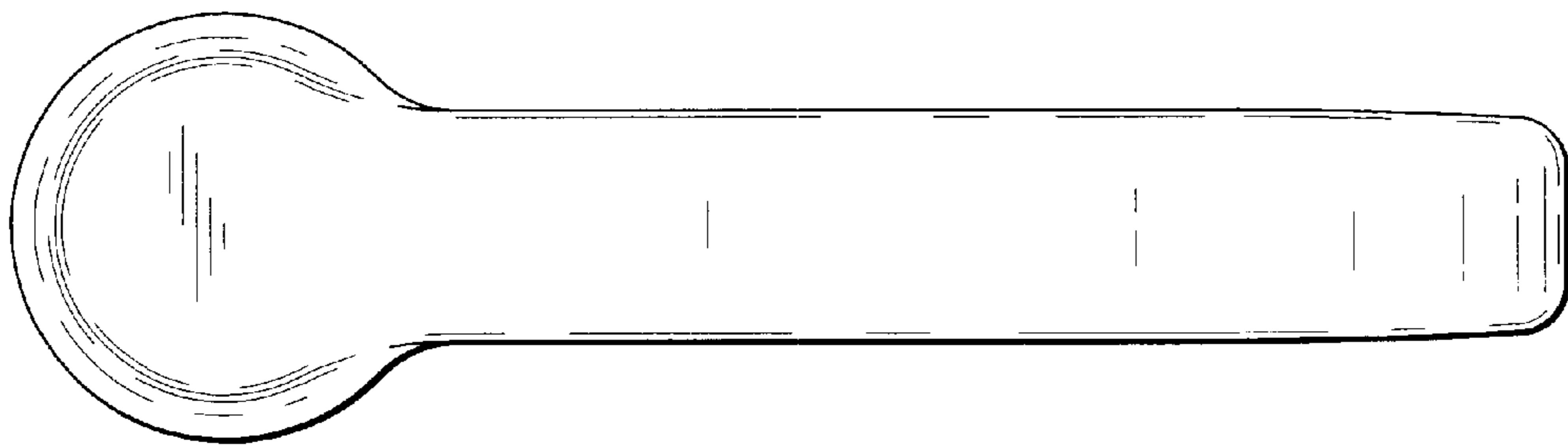


FIG. 6

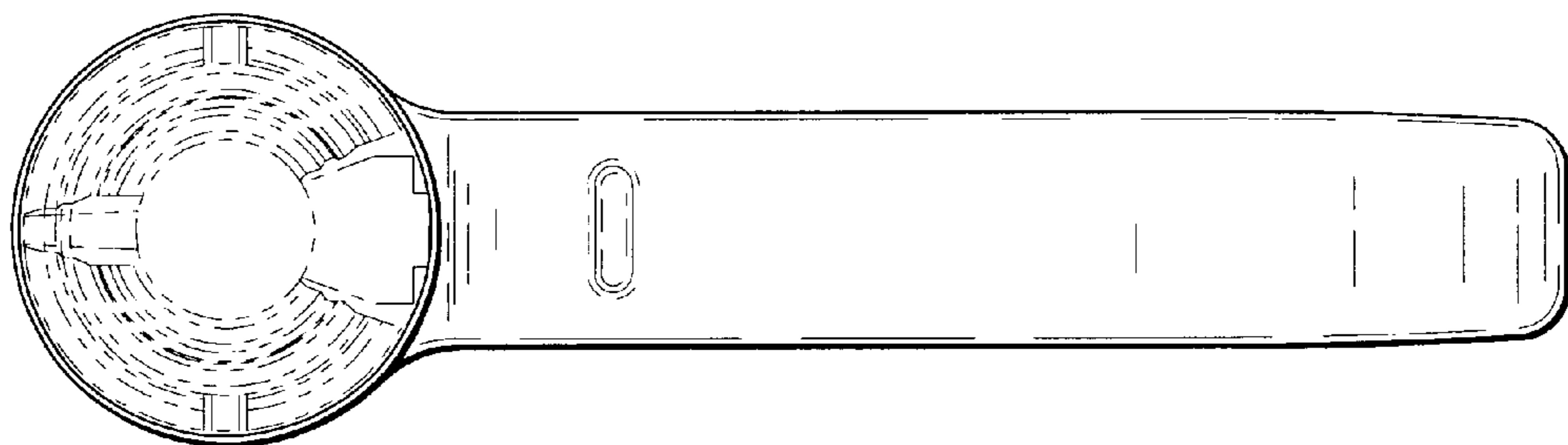


FIG. 7

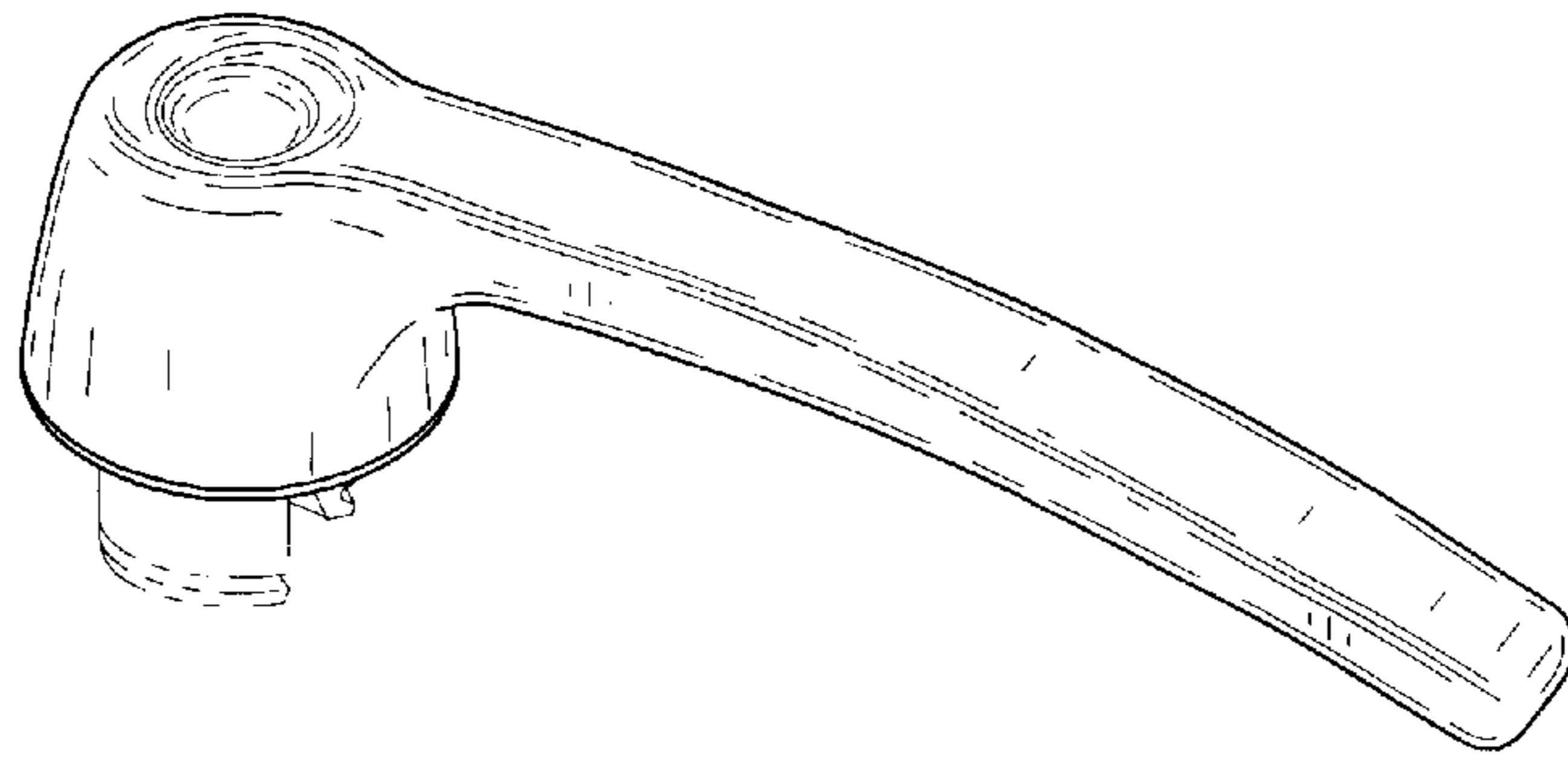


FIG. 8

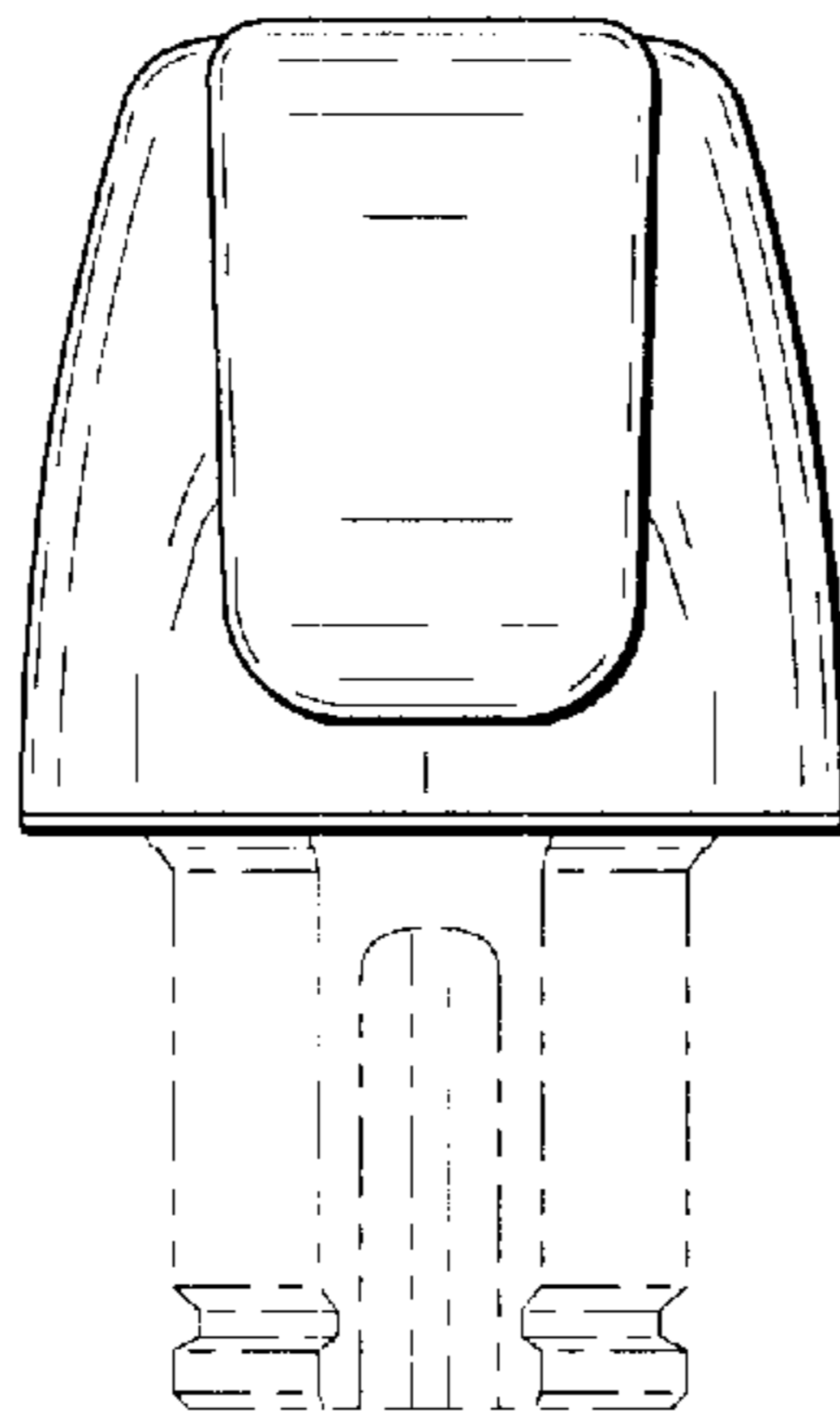


FIG. 9

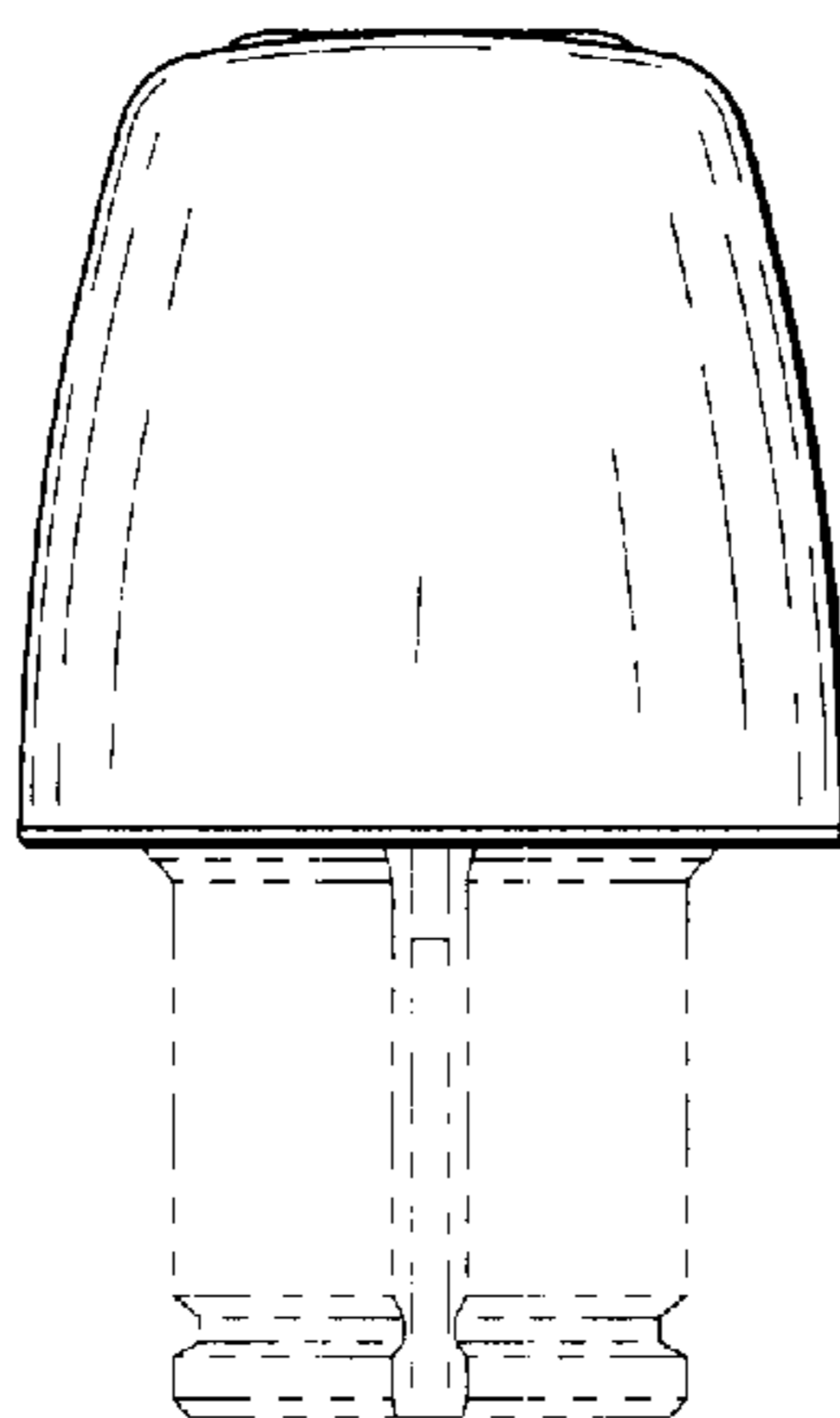


FIG. 10

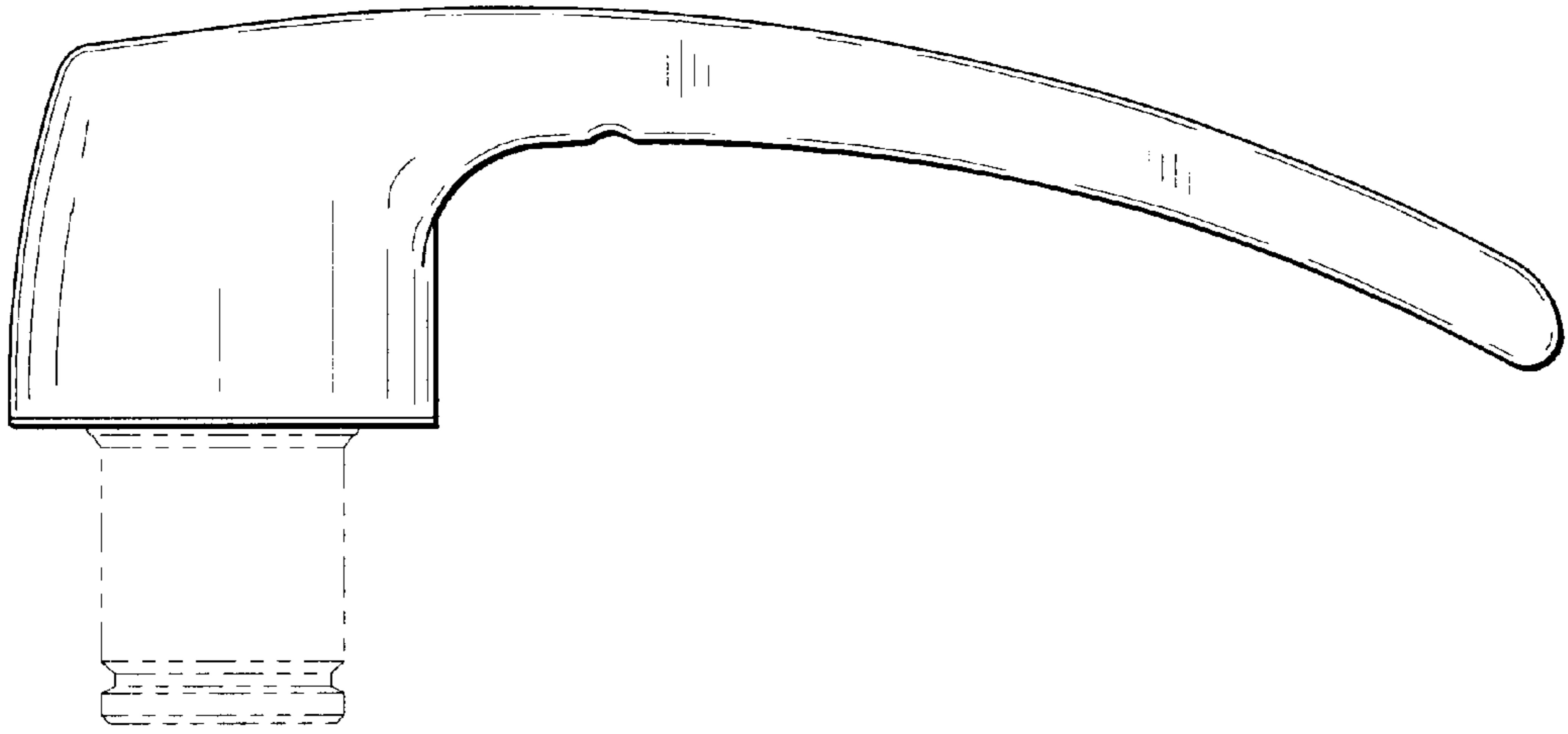


FIG. 11

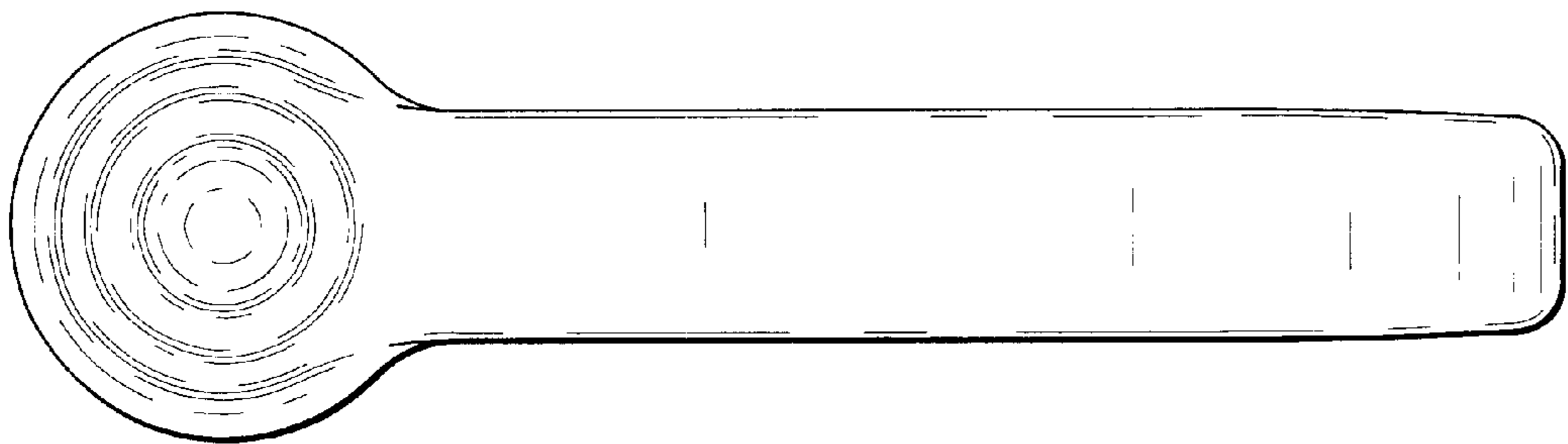


FIG. 12

