



US00D457414S

(12) **United States Design Patent**  
**Spångmyr et al.**

(10) **Patent No.:** **US D457,414 S**

(45) **Date of Patent:** **\*\* May 21, 2002**

(54) **ERGONOMIC HANDLE**

(75) Inventors: **Robert Spångmyr; Sören Hammare,**  
both of Rattvik (SE)

(73) Assignee: **Gothia Fästteknik AB,** Kungälv (SE)

(\*\*) Term: **14 Years**

(21) Appl. No.: **29/129,153**

(22) Filed: **Sep. 5, 2000**

(30) **Foreign Application Priority Data**

Mar. 6, 2000 (SE) ..... 00-0446

(51) **LOC (7) Cl.** ..... **08-06**

(52) **U.S. Cl.** ..... **D8/300; D3/7; D15/142**

(58) **Field of Search** ..... D15/141, 142;  
D8/300, 107; D3/7-9, 12, 13, 16; 16/426,  
427, 430, 440, 422; 74/491, 494, 544; 826/48

(56) **References Cited**

**U.S. PATENT DOCUMENTS**

D308,157 S \* 5/1990 Maxian ..... D8/107

4,924,924 A \* 5/1990 Stewart ..... 16/426  
4,962,561 A \* 10/1990 Hamilton  
5,156,429 A \* 10/1992 Adams ..... 16/422  
5,455,981 A \* 10/1995 Wiese ..... 16/430  
5,716,087 A \* 2/1998 Backich et al. .... 16/430  
6,324,728 B1 \* 12/2001 Blankenheim ..... 16/430

\* cited by examiner

*Primary Examiner*—B. J. Bullock

(74) *Attorney, Agent, or Firm*—Kilpatrick Stockton LLP

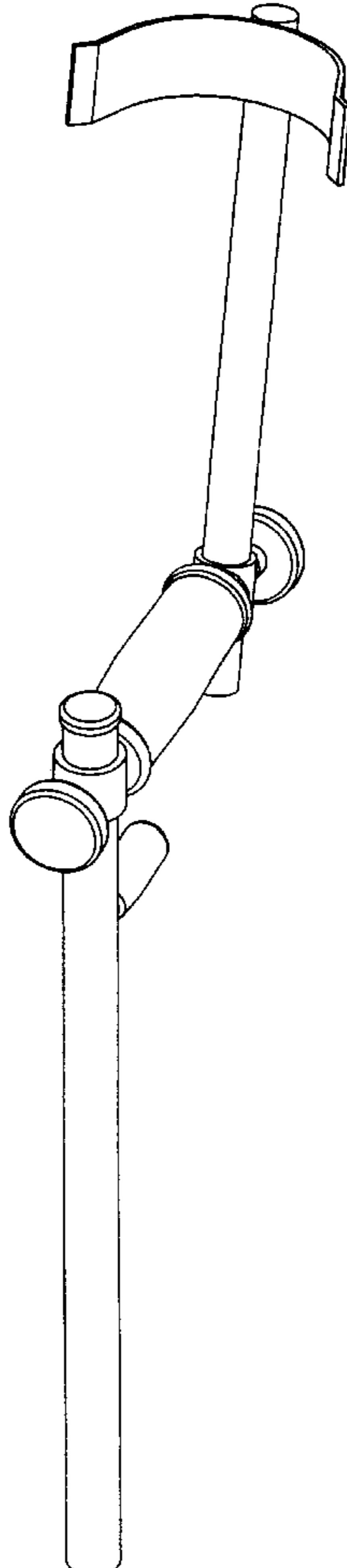
(57) **CLAIM**

We claim the ornamental design for an ergonomic handle, as shown and described.

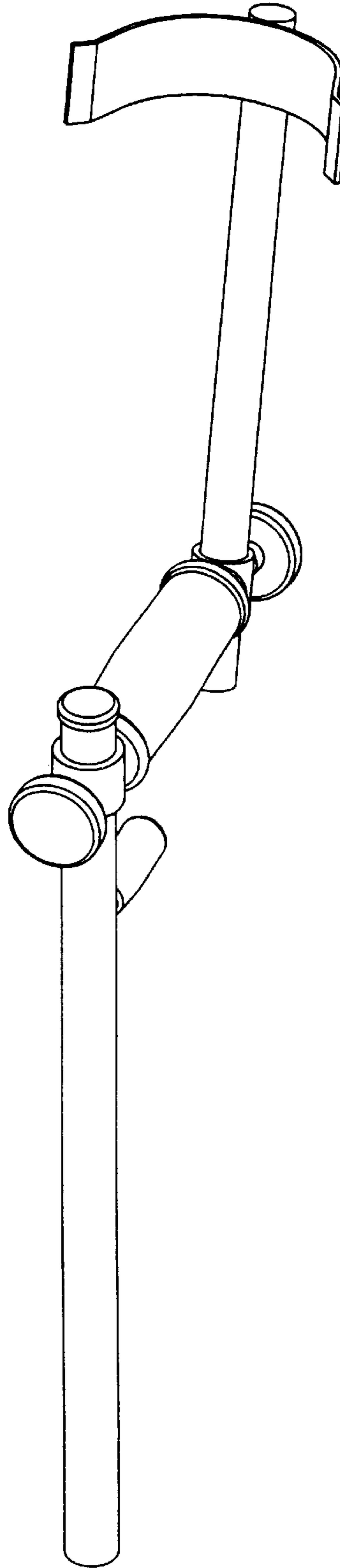
**DESCRIPTION**

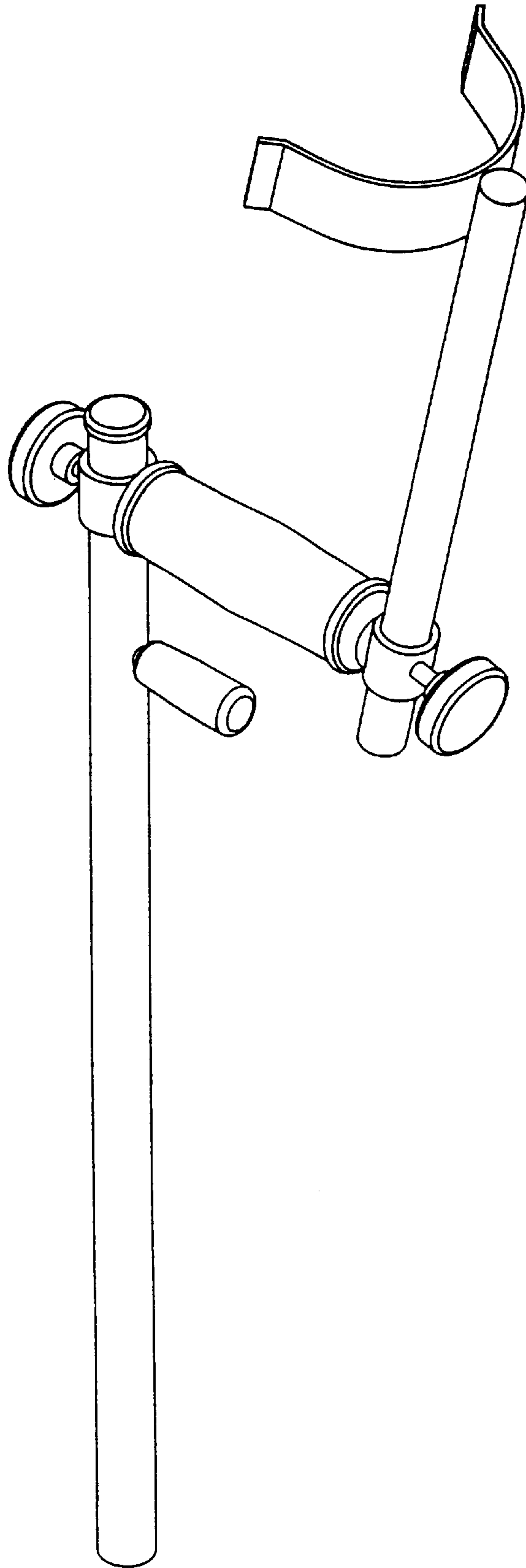
FIG. 1 is a perspective view showing the ergonomic handle obliquely from the front, from one side and from above; and, FIG. 2 is a perspective view showing the ergonomic handle obliquely from the rear, from one side and from above.

**1 Claim, 2 Drawing Sheets**



*FIG. 1*





**FIG. 2**