



US00D457410S

(12) **United States Design Patent**
Von Fange

(10) **Patent No.:** **US D457,410 S**

(45) **Date of Patent:** **** May 21, 2002**

(54) **C-CLAMP**

D387,640 S 12/1997 Von Fange D8/28

(76) Inventor: **Eric Von Fange**, P.O. Box 767, Fort Mill, SC (US) 29716

* cited by examiner

(*) Notice: This patent is subject to a terminal disclaimer.

Primary Examiner—Antoine Duval Davis
(74) *Attorney, Agent, or Firm*—Rhodes & Mason, P.L.L.C.

(**) Term: **14 Years**

(57) **CLAIM**

The ornamental design for a C-clamp, as described and shown.

(21) Appl. No.: **29/063,322**

(22) Filed: **Dec. 5, 1996**

DESCRIPTION

(51) **LOC (7) Cl.** **08-05**

(52) **U.S. Cl.** **D8/73**

(58) **Field of Search** D8/78; 29/257; 24/456, 514, 569; 242/404.2; 269/143, 249; 296/100, 128, 164, 167, 35.1, 36

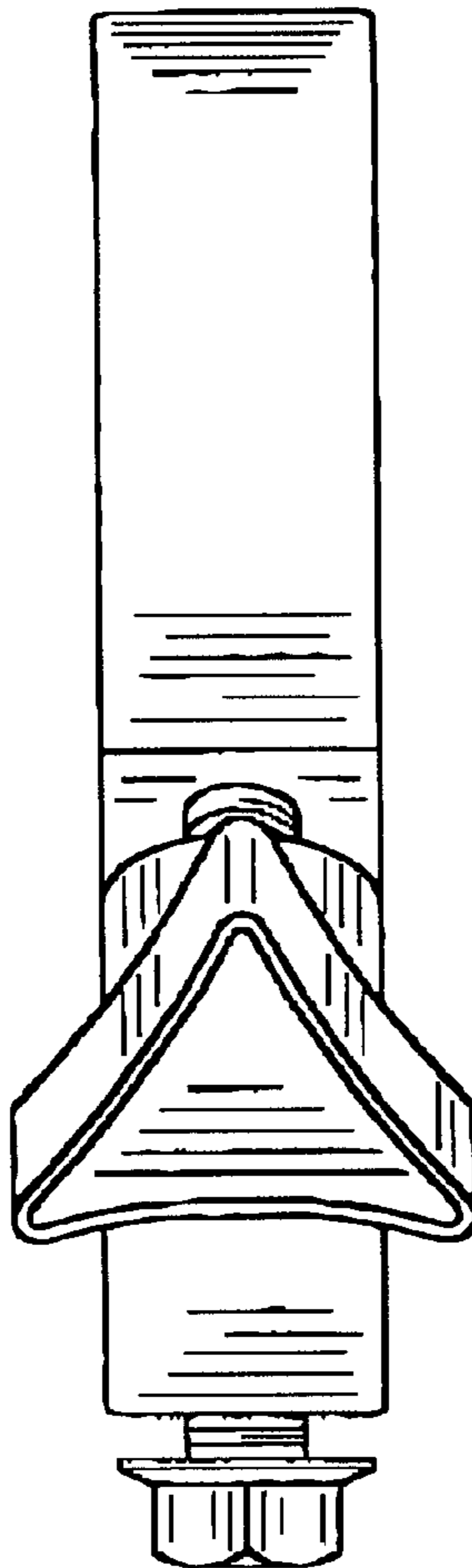
FIG. 1 is a side view of the C-clamp of this invention; FIG. 2 is a front view of the C-clamp shown in FIG. 1 and adding, for environmental purposes, a dotted line representation of a length of pipe (shown in cross section) gripped between the inner end of the bolt and the serrated portions on the body of the C-clamp; FIG. 3 is a side view of the C-clamp, looking at the side opposite that shown in FIG. 1; FIG. 4 is a top plan view of the C-clamp; and, FIG. 5 is an inverted plan view of the C-clamp. The opposite side of FIG. 2 is a mirror image thereof.

(56) **References Cited**

U.S. PATENT DOCUMENTS

- D271,939 S * 12/1983 Little D8/73
- D297,402 S * 8/1988 Williams D8/73
- D349,225 S * 8/1994 Von Fange D8/73

1 Claim, 1 Drawing Sheet



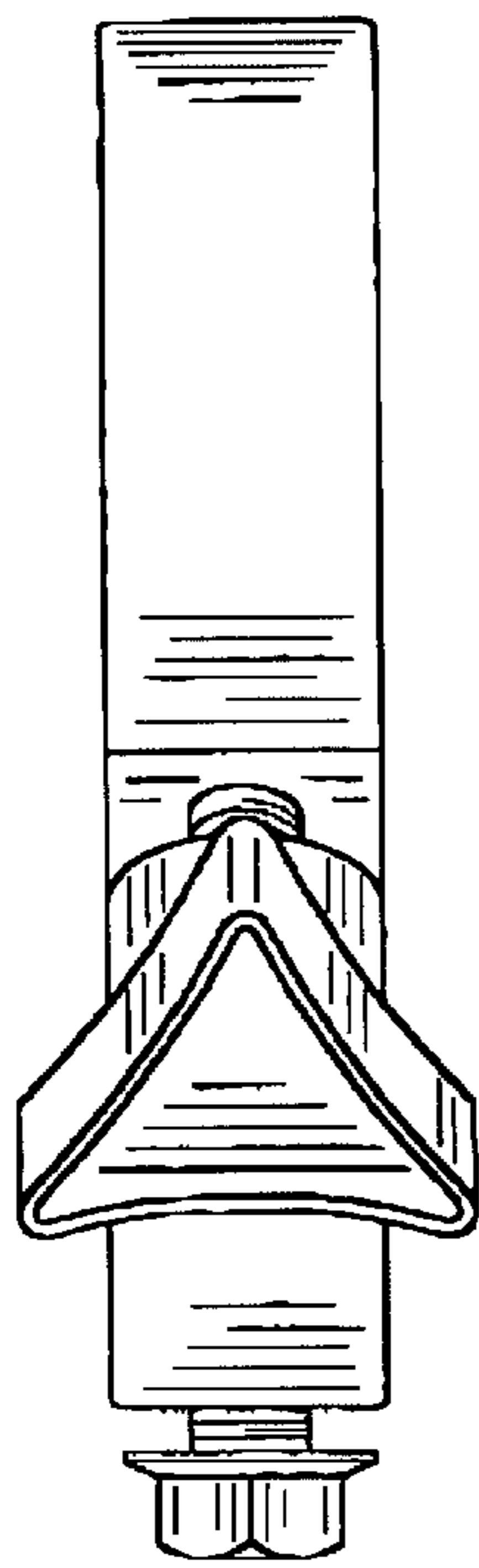


FIG. 1

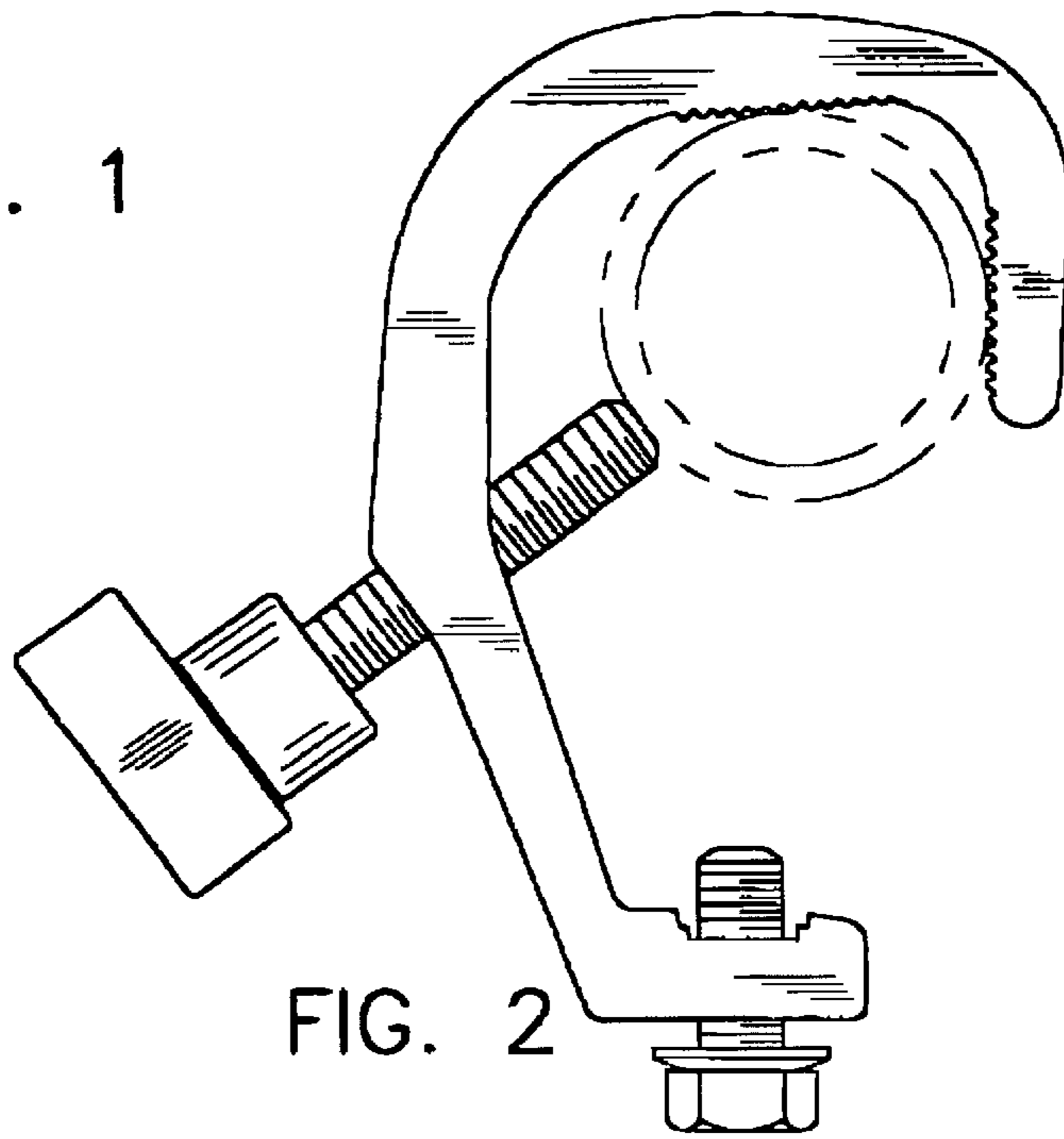


FIG. 2

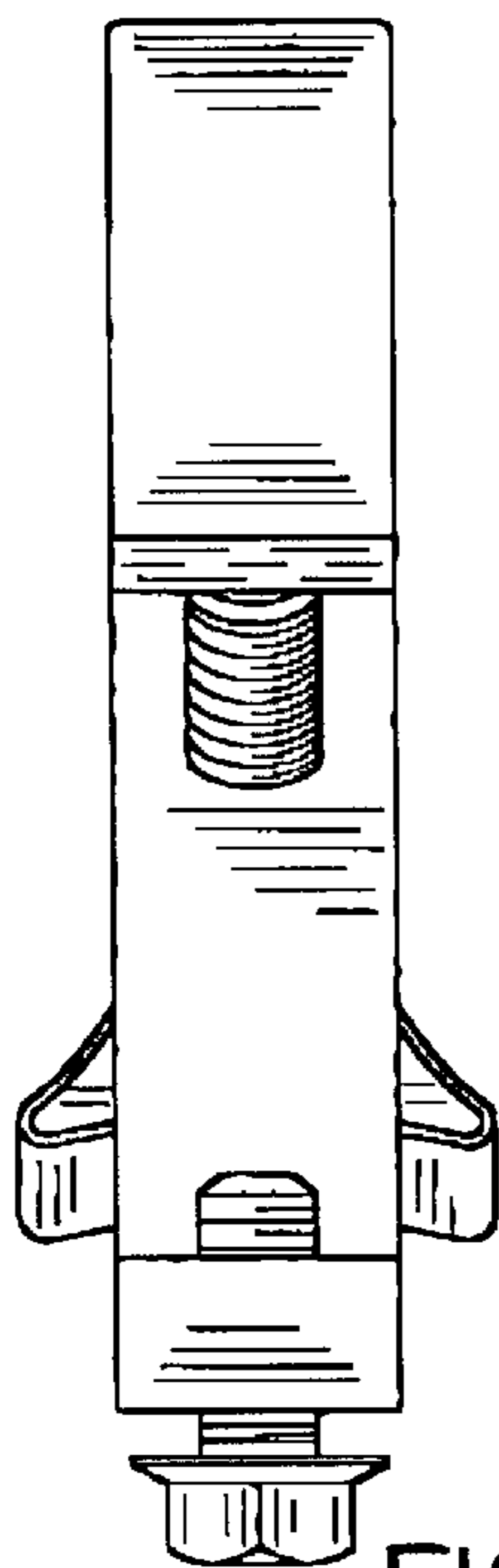


FIG. 3

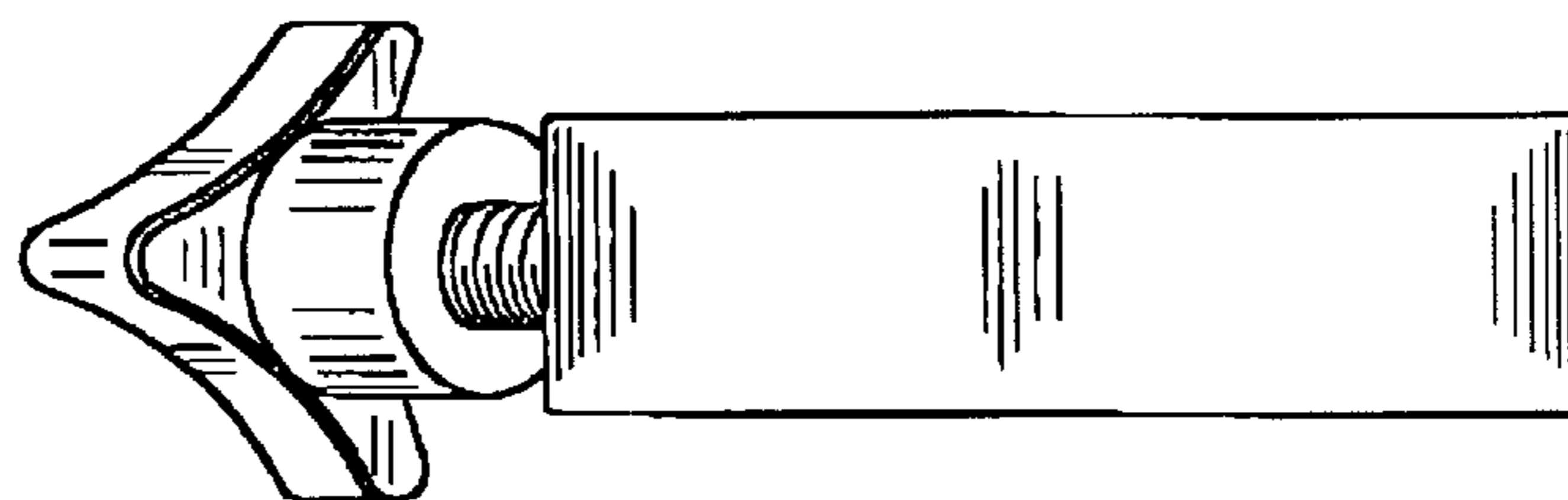


FIG. 4

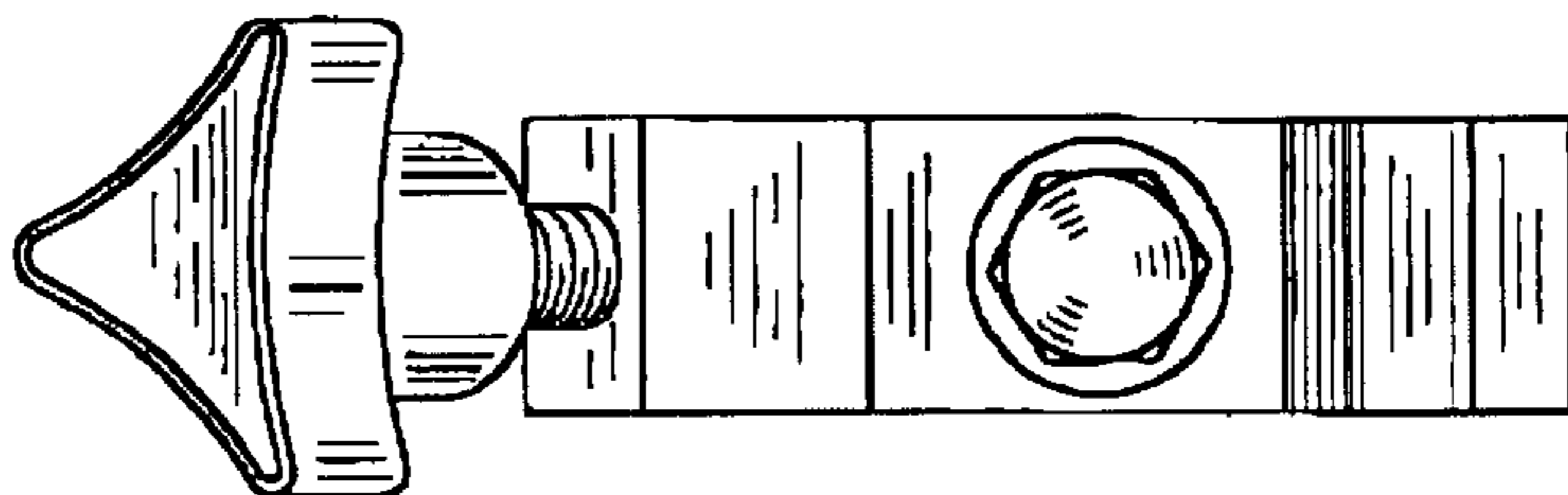


FIG. 5