



US00D457407S

(12) **United States Design Patent**
Pretzell

(10) **Patent No.:** **US D457,407 S**

(45) **Date of Patent:** **** May 21, 2002**

(54) **HOT AIR GUN**

(75) Inventor: **Peter Pretzell**, Bochum (DE)

(73) Assignee: **Lidl Stiftung & Co. KG** (DE)

(**) Term: **14 Years**

(21) Appl. No.: **29/122,091**

(22) Filed: **Apr. 19, 2000**

(30) **Foreign Application Priority Data**

Oct. 20, 1999 (DE) 4 99 09 945

(51) **LOC (7) Cl.** **08-05**

(52) **U.S. Cl.** **D8/29.1**

(58) **Field of Search** D8/29.1, 30; 219/227;
431/158, 255, 354, 353; 392/385; D28/13

(56) **References Cited**

U.S. PATENT DOCUMENTS

D293,020 S * 12/1987 Steinel et al. D8/29.1
D296,070 S * 6/1988 Cunningham D8/29.1

D297,398 S * 8/1988 Pagani D8/29.1
D334,876 S * 4/1993 Swetish D8/29.1
D388,297 S * 12/1997 Bittenbender D8/29.1
D388,298 S * 12/1997 Jerdee et al. D8/29.1

* cited by examiner

Primary Examiner—Philip S. Hyder

(74) *Attorney, Agent, or Firm*—Morgan & Finnegan, LLP

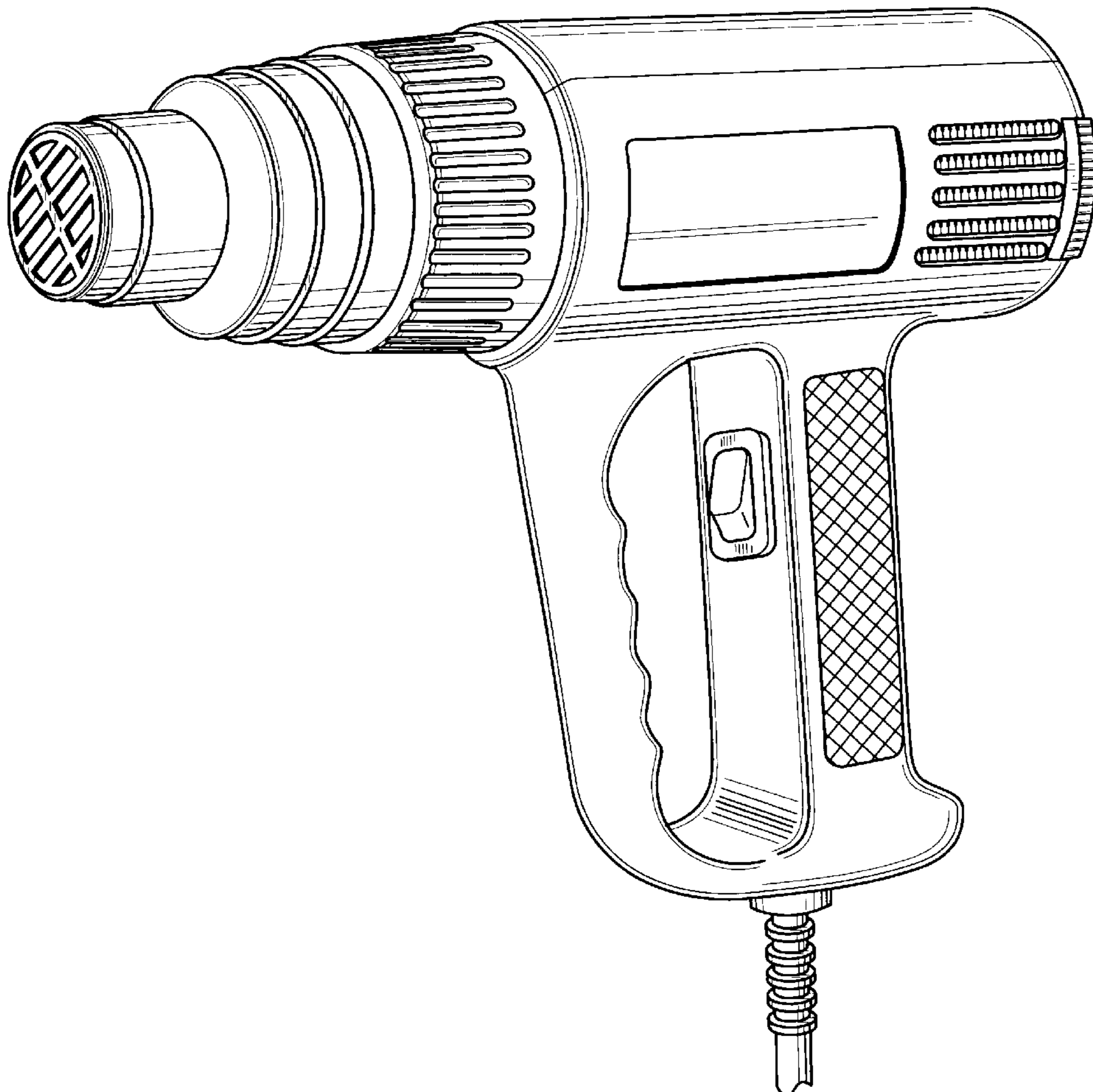
(57) **CLAIM**

The ornamental design for a hot air gun, as shown and described.

DESCRIPTION

FIG. 1 is a front perspective view of a hot air gun showing my new design;
FIG. 2 is a front view thereof;
FIG. 3 is a rear view thereof;
FIG. 4 is a right side view thereof;
FIG. 5 is a left side view thereof; and,
FIG. 6 is a top view thereof.

1 Claim, 6 Drawing Sheets



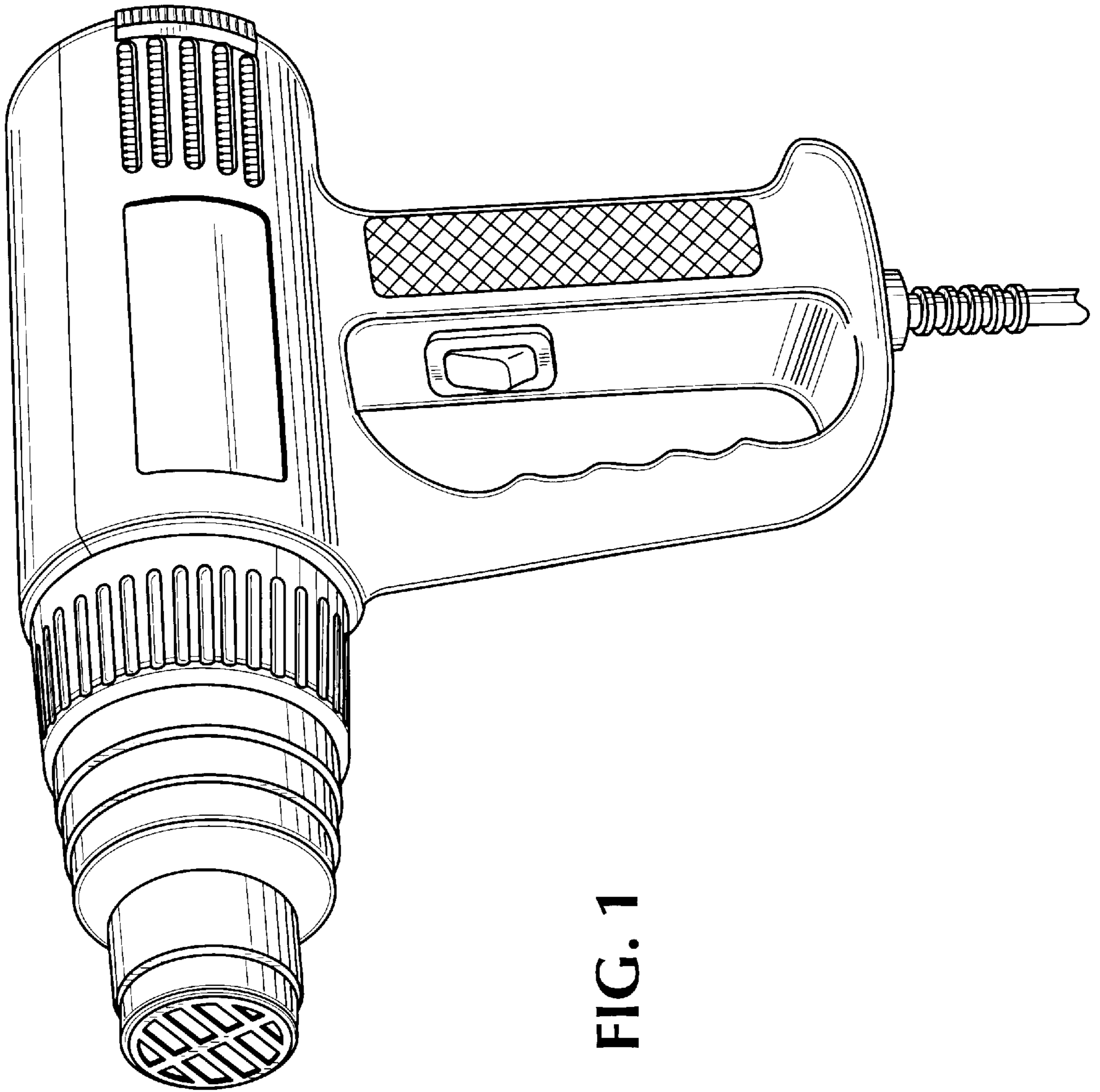


FIG. 1

FIG. 2

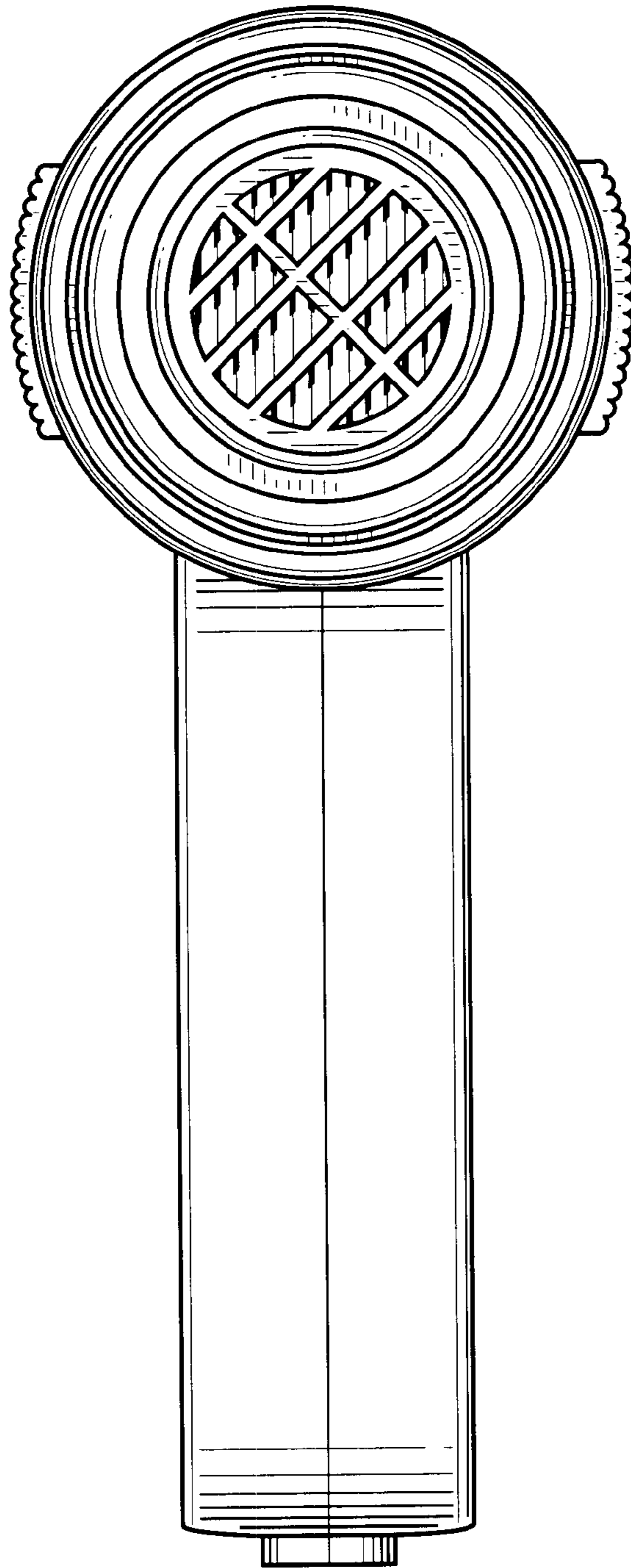
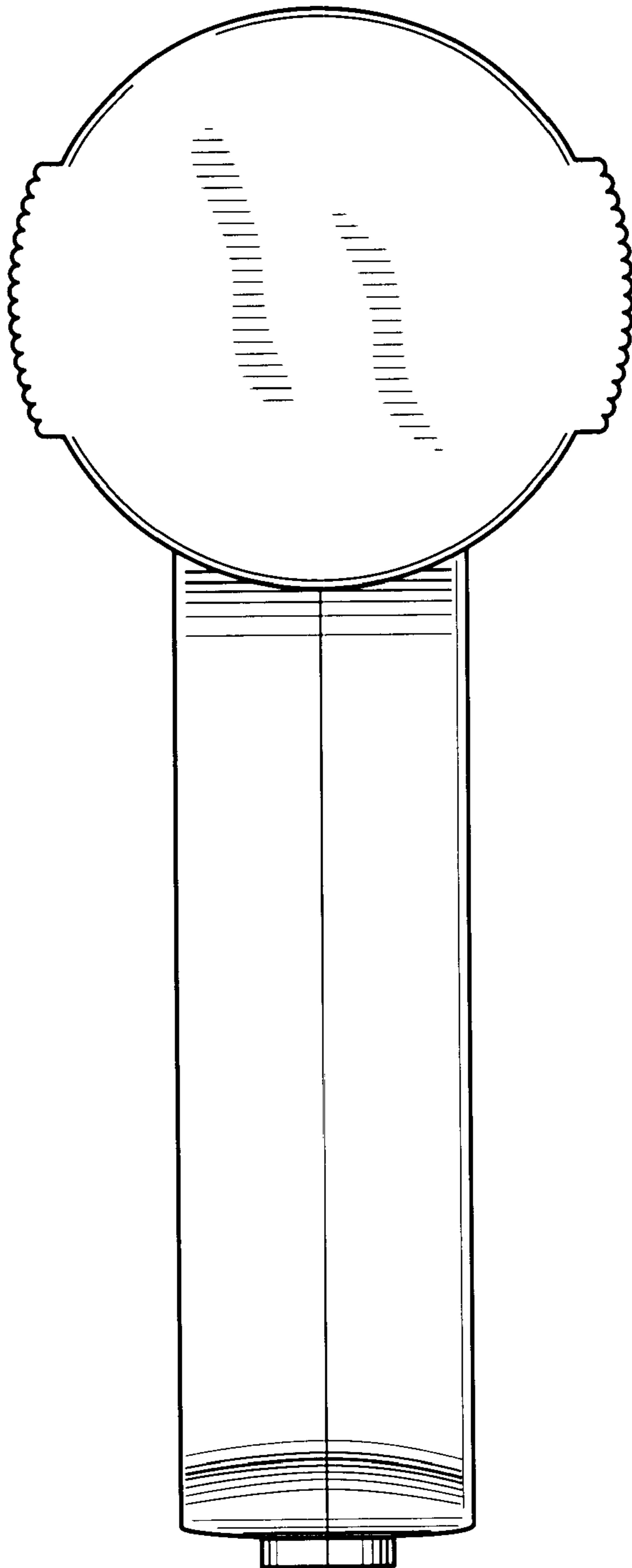


FIG. 3



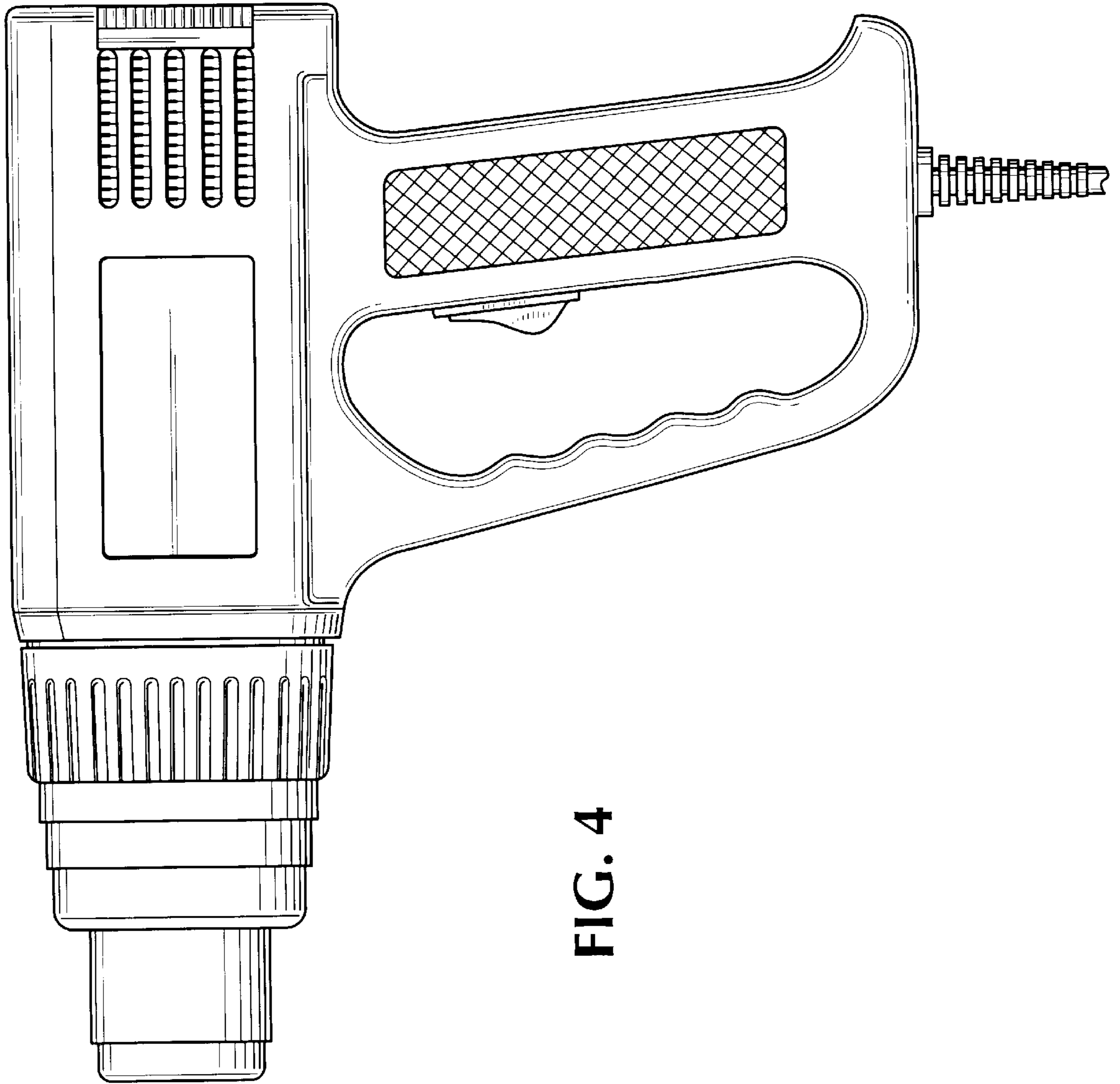


FIG. 4

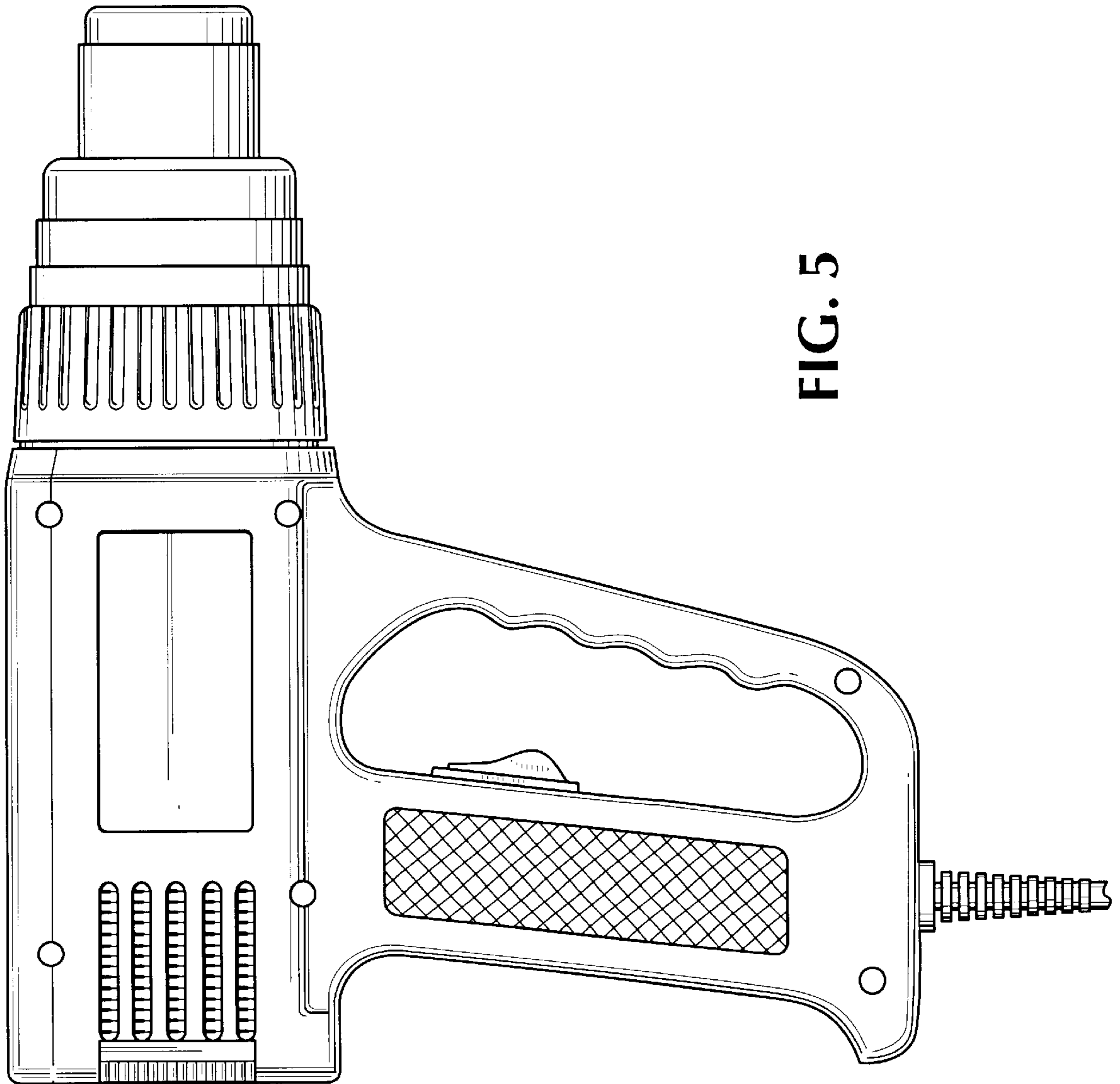


FIG. 5

FIG. 6

