



US00D457406S

(12) **United States Design Patent**
Hu

(10) **Patent No.:** **US D457,406 S**

(45) **Date of Patent:** **** May 21, 2002**

(54) **WRENCH**

(76) Inventor: **Bobby Hu**, P.O. Box 63-247, Taichung (TW)

(**) Term: **14 Years**

(21) Appl. No.: **29/138,554**

(22) Filed: **Mar. 15, 2001**

(51) **LOC (7) Cl.** **08-05**

(52) **U.S. Cl.** **D8/22**

(58) **Field of Search** D8/17, 21-29;
81/155, 165, 170, 177.1, 489

(56) **References Cited**

U.S. PATENT DOCUMENTS

D59,786 S	*	11/1921	Safford	D8/22
3,901,107 A	*	8/1975	Halls	81/165
D436,813 S	*	1/2001	Kobayashi	D8/22
6,314,842 B1	*	11/2001	Hsieh	81/155

* cited by examiner

Primary Examiner—Raphael Barkai

(74) *Attorney, Agent, or Firm*—Alan Kamrath; Rider, Bennett, Egan & Arundel, LLP

(57) **CLAIM**

The ornamental design for wrench, as shown and described.

DESCRIPTION

FIG. 1 is a perspective view of a wrench showing my new design;

FIG. 2 is a front elevational view thereof;

FIG. 3 is a rear elevational view thereof;

FIG. 4 is a left elevational view thereof;

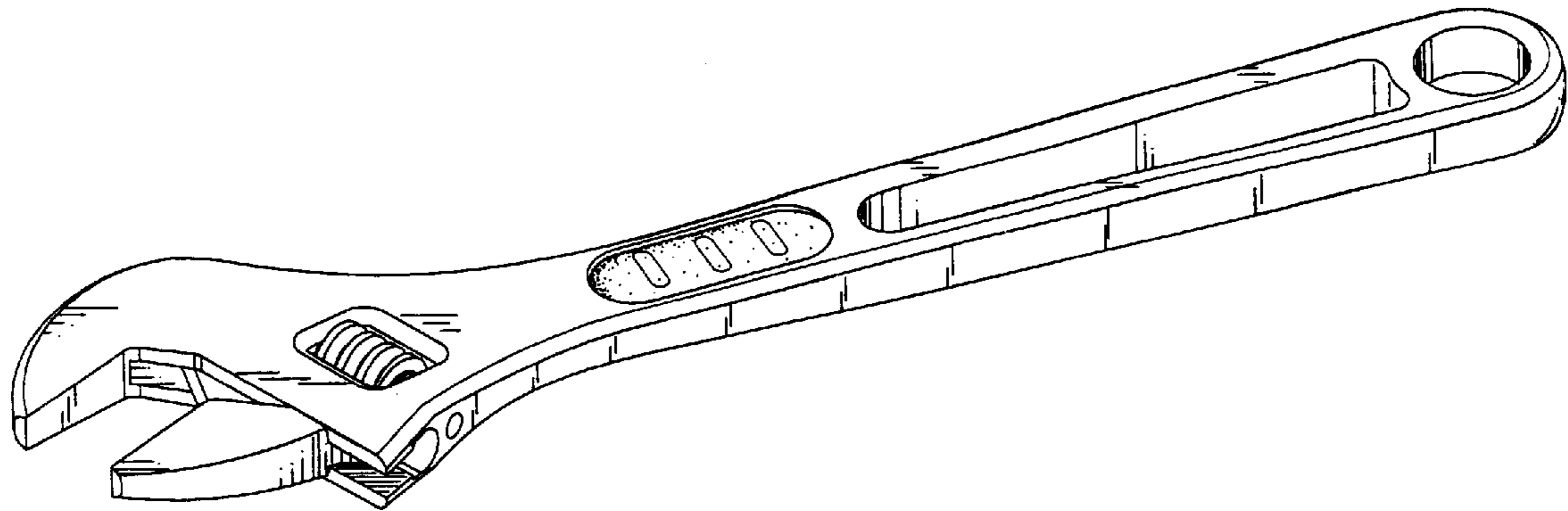
FIG. 5 is a right elevational view thereof;

FIG. 6 is a top plan view thereof; and

FIG. 7 is bottom plan view thereof; and,

FIG. 8 is a sectional view takes along the line 8—8 in FIG. 7.

1 Claim, 2 Drawing Sheets



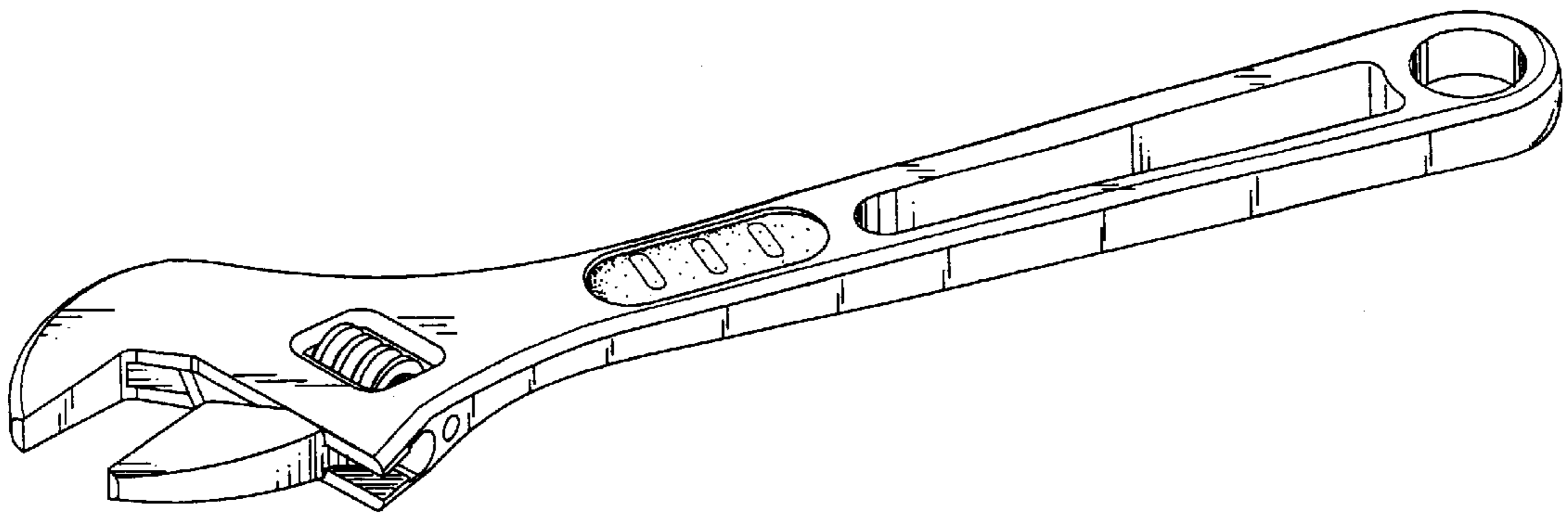


Fig. 1

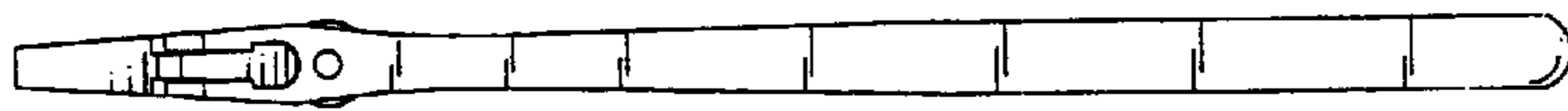


Fig. 2

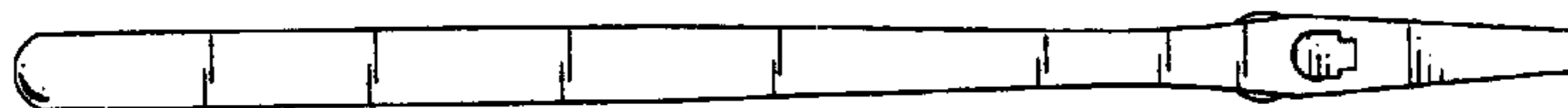


Fig. 3



Fig. 4

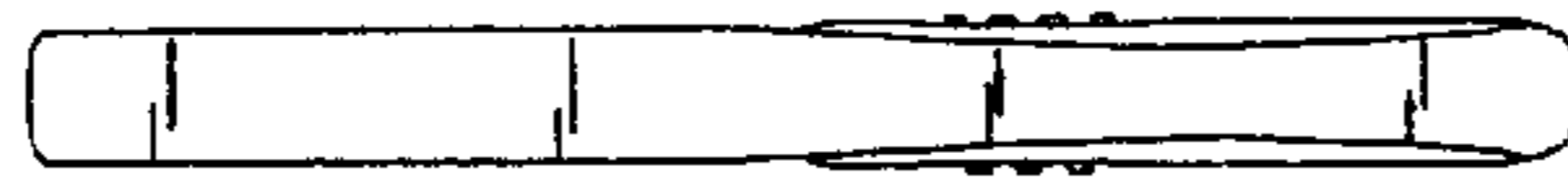


Fig. 5

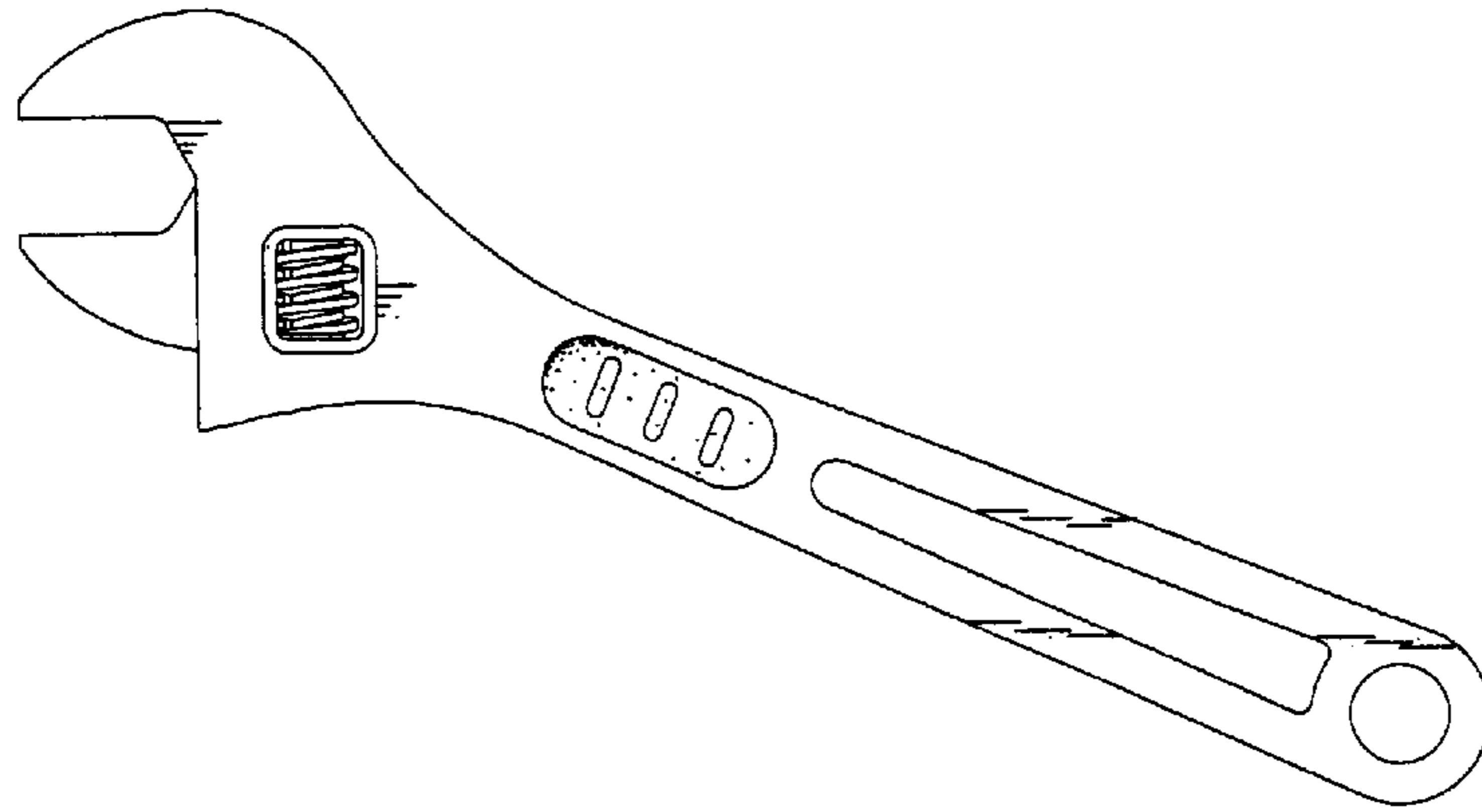


Fig. 6

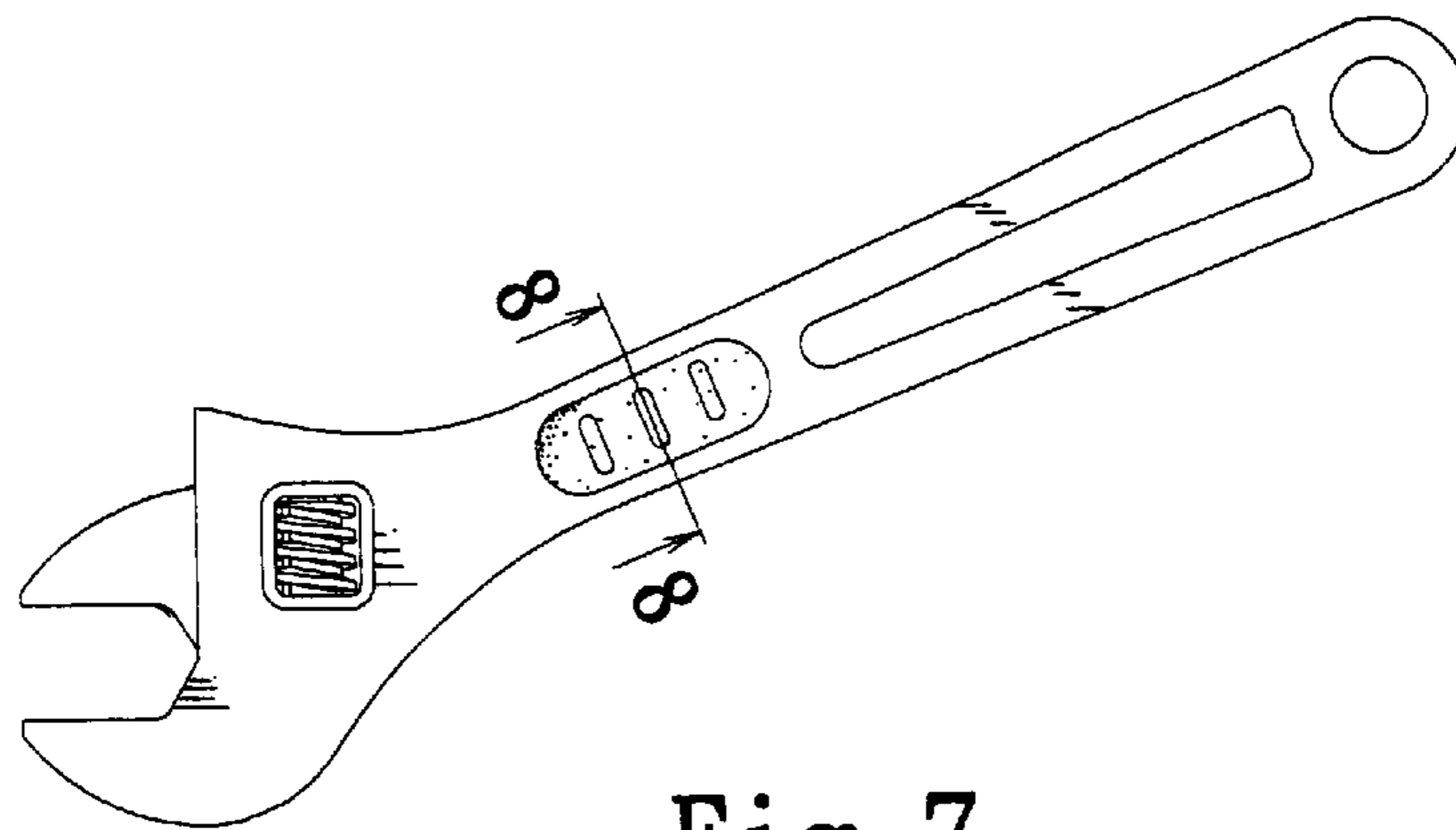


Fig. 7



Fig. 8