



US00D457403S

(12) **United States Design Patent**
Cooper

(10) **Patent No.:** **US D457,403 S**

(45) **Date of Patent:** **** May 21, 2002**

(54) **LAWN EDGER**

(75) Inventor: **Vince P. Cooper**, Baltimore, MD (US)

(73) Assignee: **Black & Decker, Inc.**, Newark, DE (US)

(**) Term: **14 Years**

(21) Appl. No.: **29/139,489**

(22) Filed: **Mar. 30, 2001**

(51) **LOC (7) Cl.** **08-01**

(52) **U.S. Cl.** **D8/8**

(58) **Field of Search** D8/1, 8, 9; 30/276, 30/DIG. 5; 172/13, 15, 16, 17

(56) **References Cited**

U.S. PATENT DOCUMENTS

D423,308 S	*	4/2000	Marshall et al.	D8/8
D427,861 S	*	7/2000	Cooper et al.	D8/8
6,263,975 B1	*	7/2001	Rosa et al.	172/15
6,293,349 B1	*	9/2001	Marshall et al.	172/15

OTHER PUBLICATIONS

Black and Decker catalog 1990–1991; #8235 HP Edger.*

* cited by examiner

Primary Examiner—Robin V. Taylor

(57) **CLAIM**

The ornamental design for a lawn edger, as shown and described.

DESCRIPTION

FIG. 1 is a perspective front view of the lawn edger taken from the front and one side;

FIG. 2 is a front elevational view thereof;

FIG. 3 is a rear elevational view thereof;

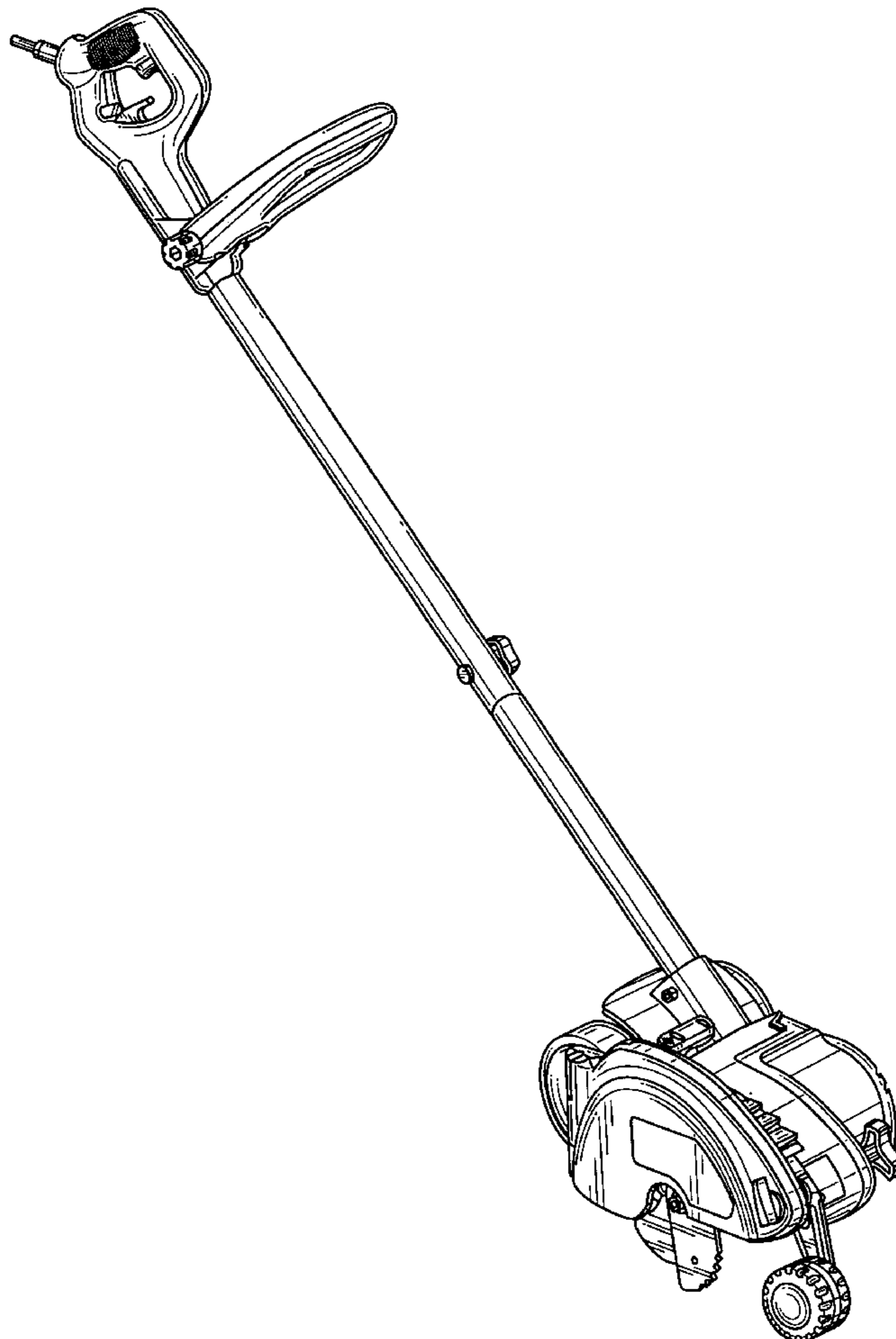
FIG. 4 is a side elevational view thereof taken from the side shown in FIG. 1;

FIG. 5 is a side elevational view thereof taken from the side opposite that illustrated in FIG. 4;

FIG. 6 is a top view thereof; and,

FIG. 7 is a bottom view thereof.

1 Claim, 7 Drawing Sheets



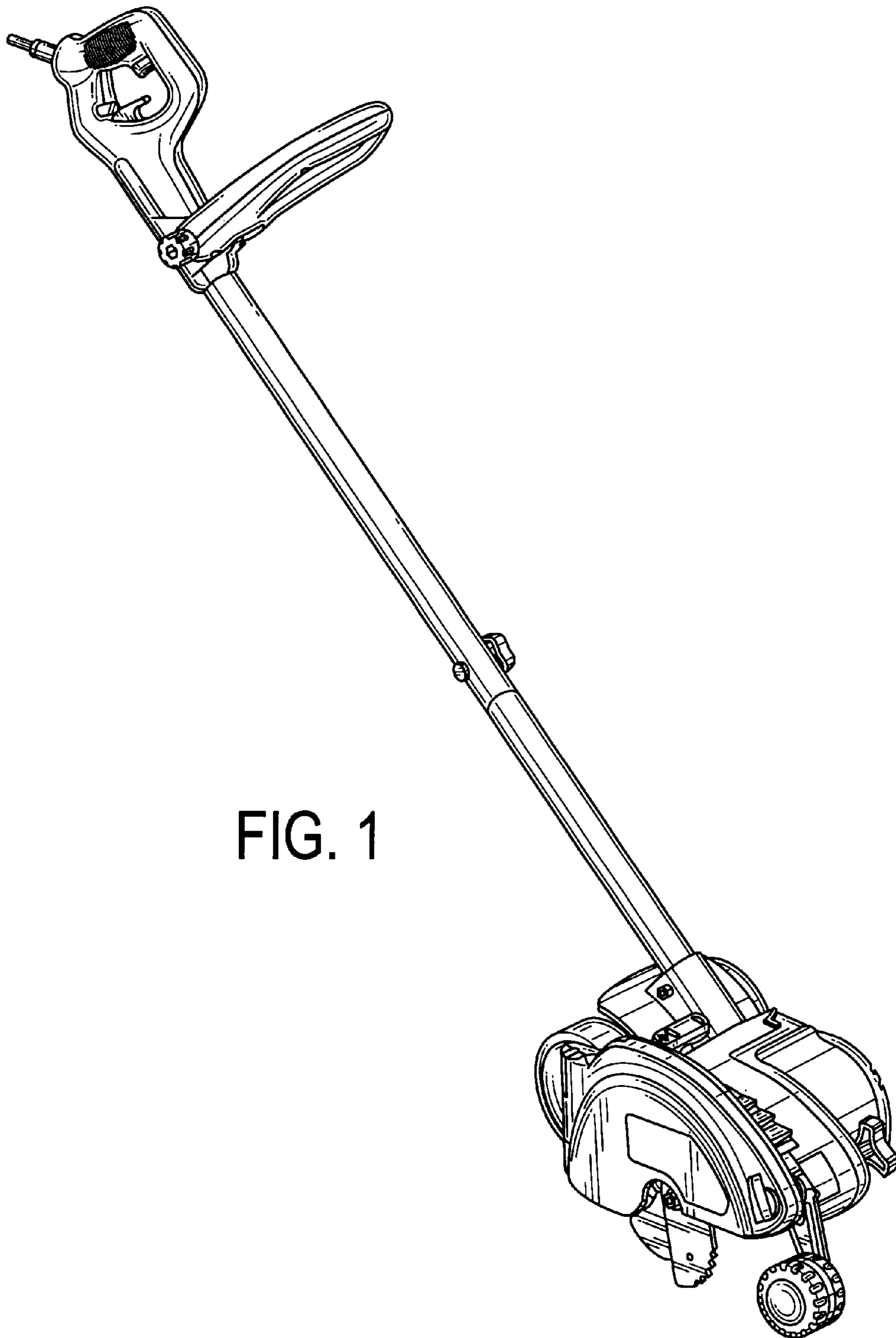


FIG. 1

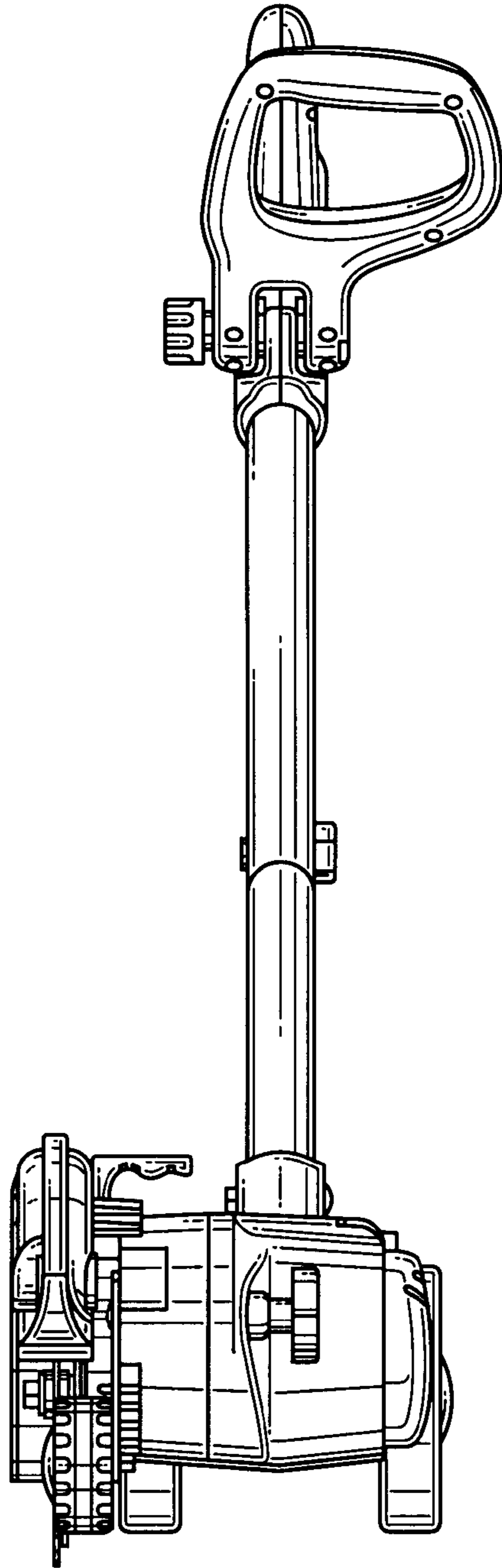


FIG. 2

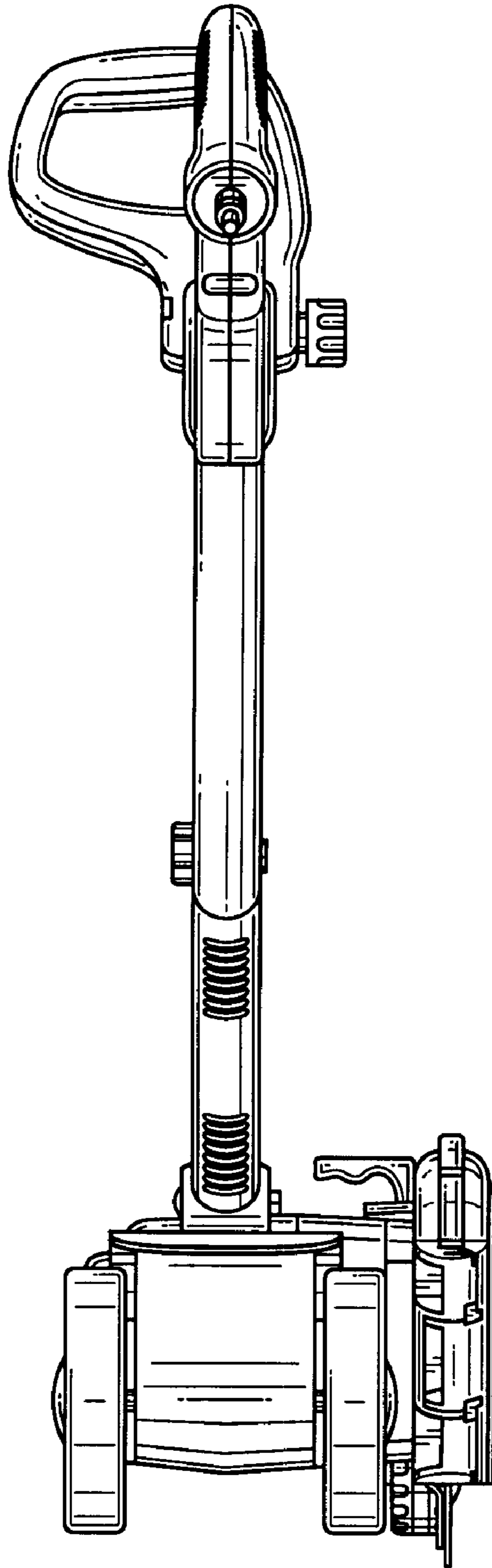


FIG. 3

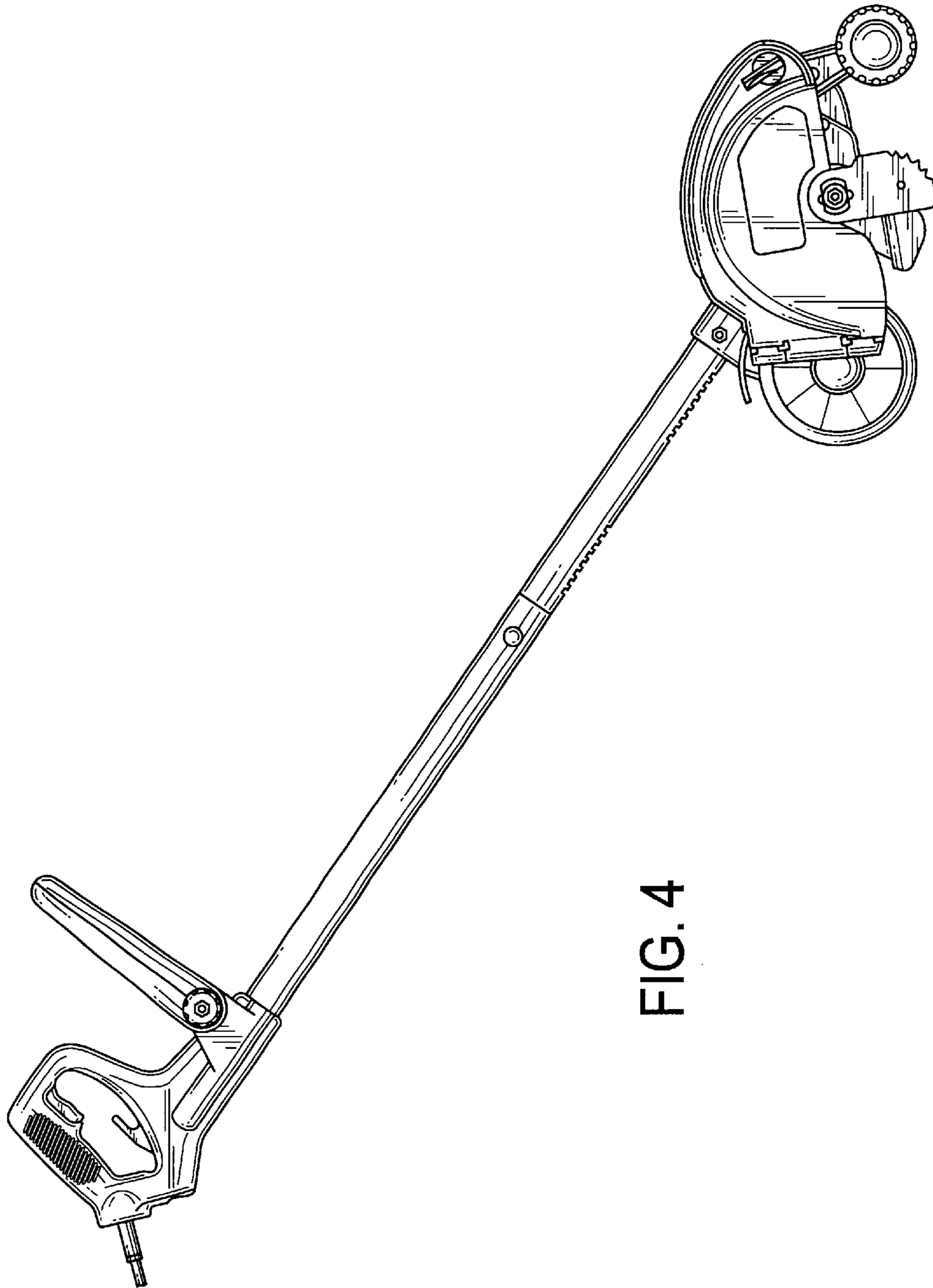


FIG. 4

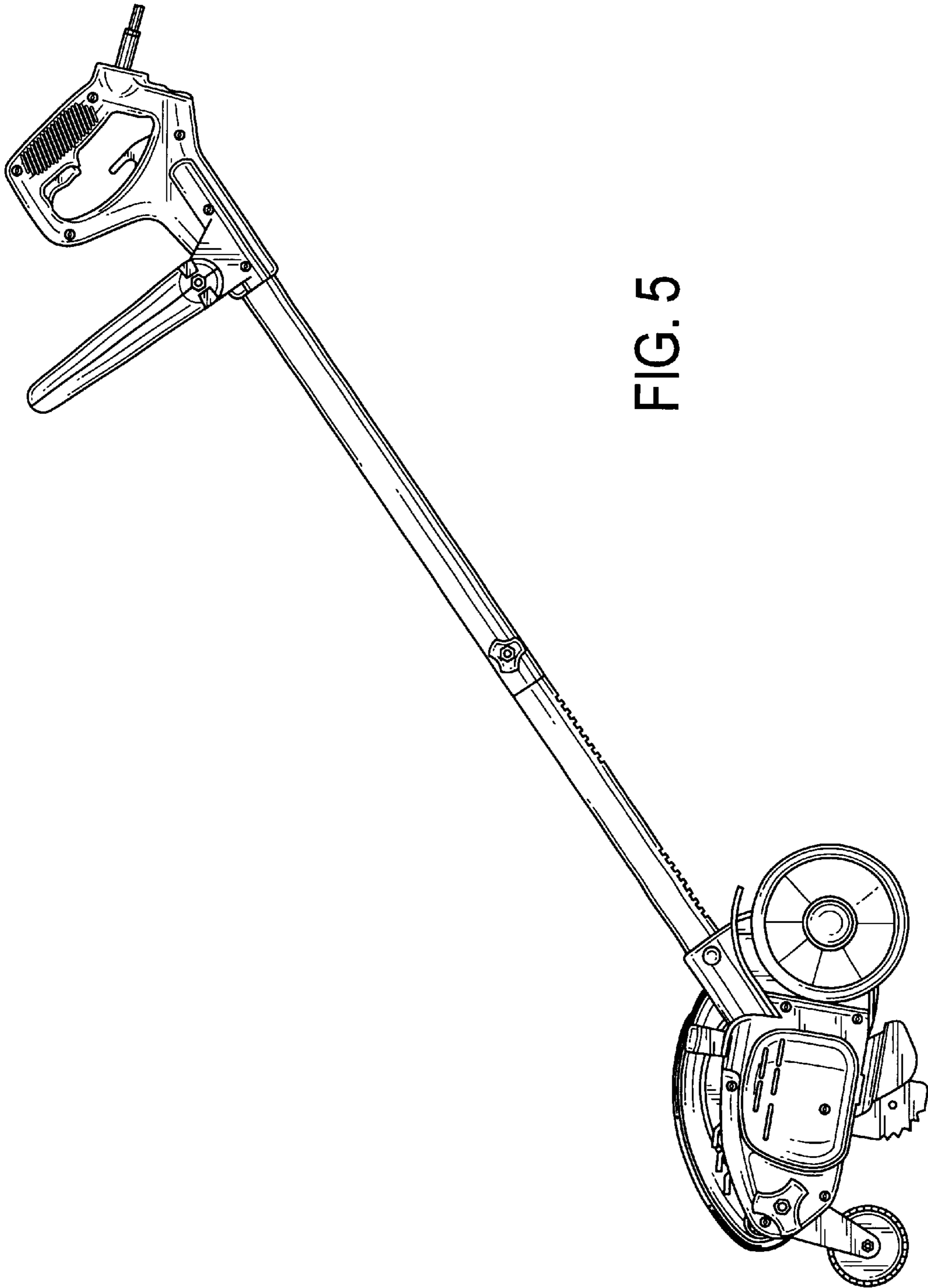


FIG. 5

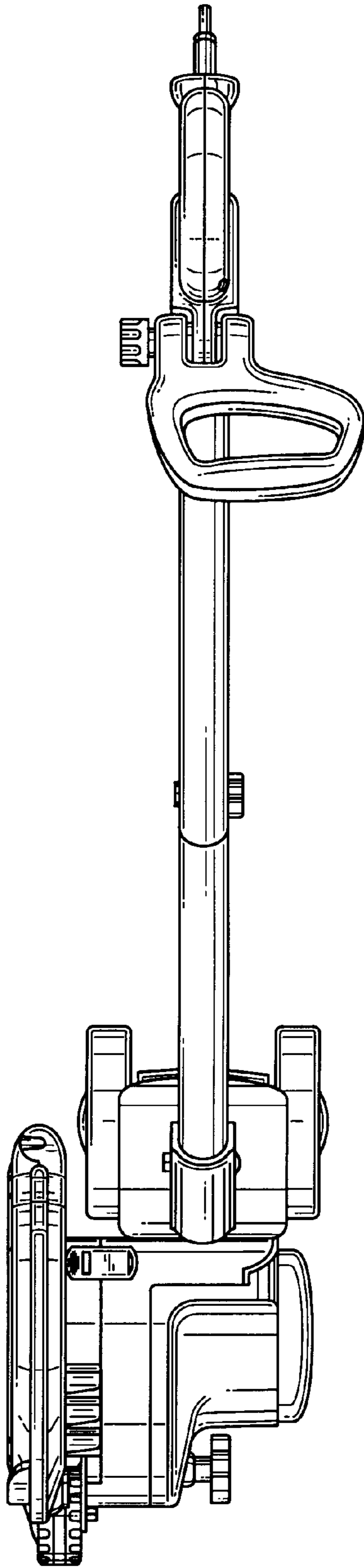


FIG. 6

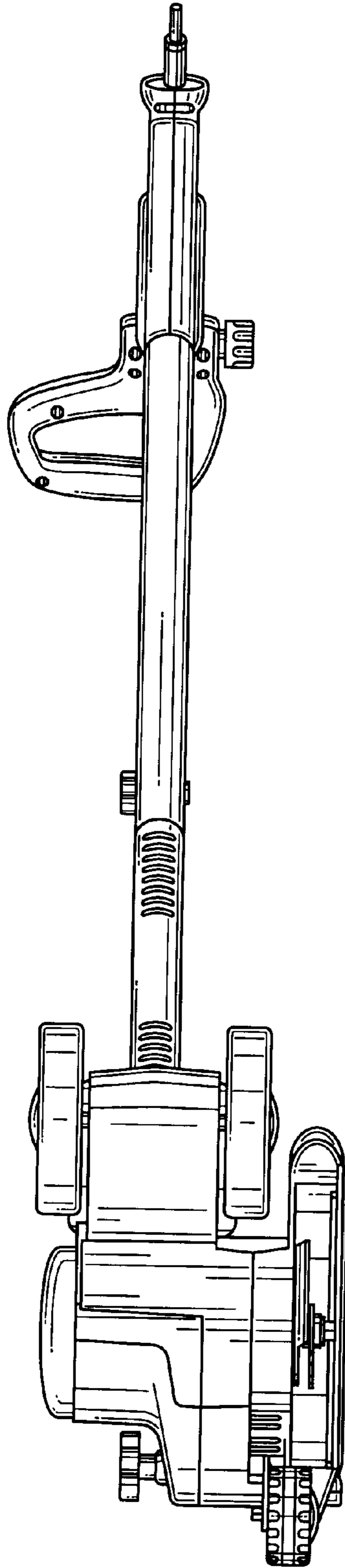


FIG. 7