



US00D457401S

(12) **United States Design Patent**  
**Clivio**

(10) **Patent No.:** **US D457,401 S**

(45) **Date of Patent:** **\*\* May 21, 2002**

(54) **PAIR OF GARDEN SCISSORS**

(75) Inventor: **Franco Clivio**, Erlenbach (CH)

(73) Assignee: **Gardena Kress + Kastner GmbH**  
(DE)

(\*\*) Term: **14 Years**

(21) Appl. No.: **29/137,574**

(22) Filed: **Feb. 23, 2001**

(30) **Foreign Application Priority Data**

Aug. 26, 2000 (DE) ..... 400 08 365

(51) **LOC (7) Cl.** ..... **08-01**

(52) **U.S. Cl.** ..... **D8/5**

(58) **Field of Search** ..... D8/1, 4, 5; 30/287,  
30/261-2, 252

(56) **References Cited**

**U.S. PATENT DOCUMENTS**

- 4,073,059 A \* 2/1978 Wallace et al. .... 30/262
- D301,538 S \* 6/1989 Pittaway ..... D8/4
- 5,426,857 A \* 6/1995 Linden ..... 30/262
- D390,430 S \* 2/1998 Chai et al. .... D8/5
- D439,117 S \* 3/2001 Deville ..... D8/5

**OTHER PUBLICATIONS**

4 Pages of a catalog entitled "The Professional Edge"  
Published by Corona Clipper in 1997.  
Pages T1, T3-T9 of a catalog entitled "Gartenwerkzeuge"  
published by andvik, made available to the public at GAFA  
(Garden Fair in Germany) in 1998.

Pages 1, 50 and 51 of a catalog entitled "Das neue Garten-  
jahr" published by WOLF Garten, made available to the  
public in 1998.

4 pages of a catalog entitled "Katalog 2000 Das neue  
Gartenjahr" published by WOLF Garten, made available to  
the public in 1999.

Pages 1, 57, 58, 132-134 of a catalog entitled "Werga  
Fiskars 2000", made available to the public in 1999.

Pages 1, 10, 11 of a price list entitled "Preisliste D 2000"  
published by Victoria, and valid from Oct. 1999.

5 Pages of a catalog entitled "Gardena 2000" published by  
Gardena Kress + Kastner GmbH, made available to the  
public in 1999.

\* cited by examiner

*Primary Examiner*—Robin V. Taylor

(74) *Attorney, Agent, or Firm*—Akerman Senterfitt

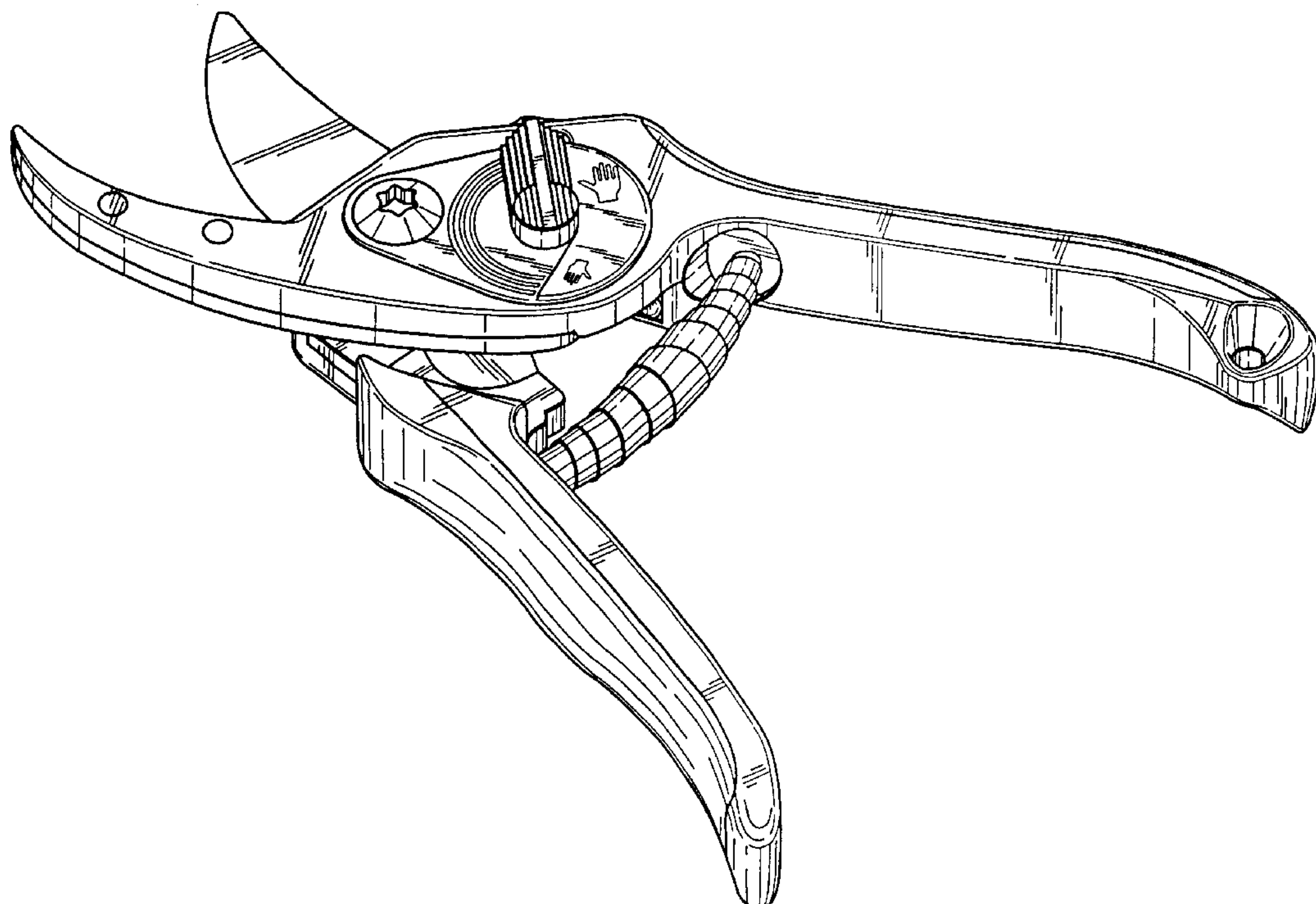
(57) **CLAIM**

The ornamental design for a pair of garden scissors, as  
shown and described.

**DESCRIPTION**

FIG. 1 is a side perspective view of a pair of garden scissors  
showing my new design;  
FIG. 2 is a side elevation view thereof;  
FIG. 3 is a top plan view thereof;  
FIG. 4 is an opposite side elevation view thereof;  
FIG. 5 is rear elevation view thereof;  
FIG. 6 is a bottom plan view thereof; and,  
FIG. 7 is a front elevation view thereof.

**1 Claim, 3 Drawing Sheets**



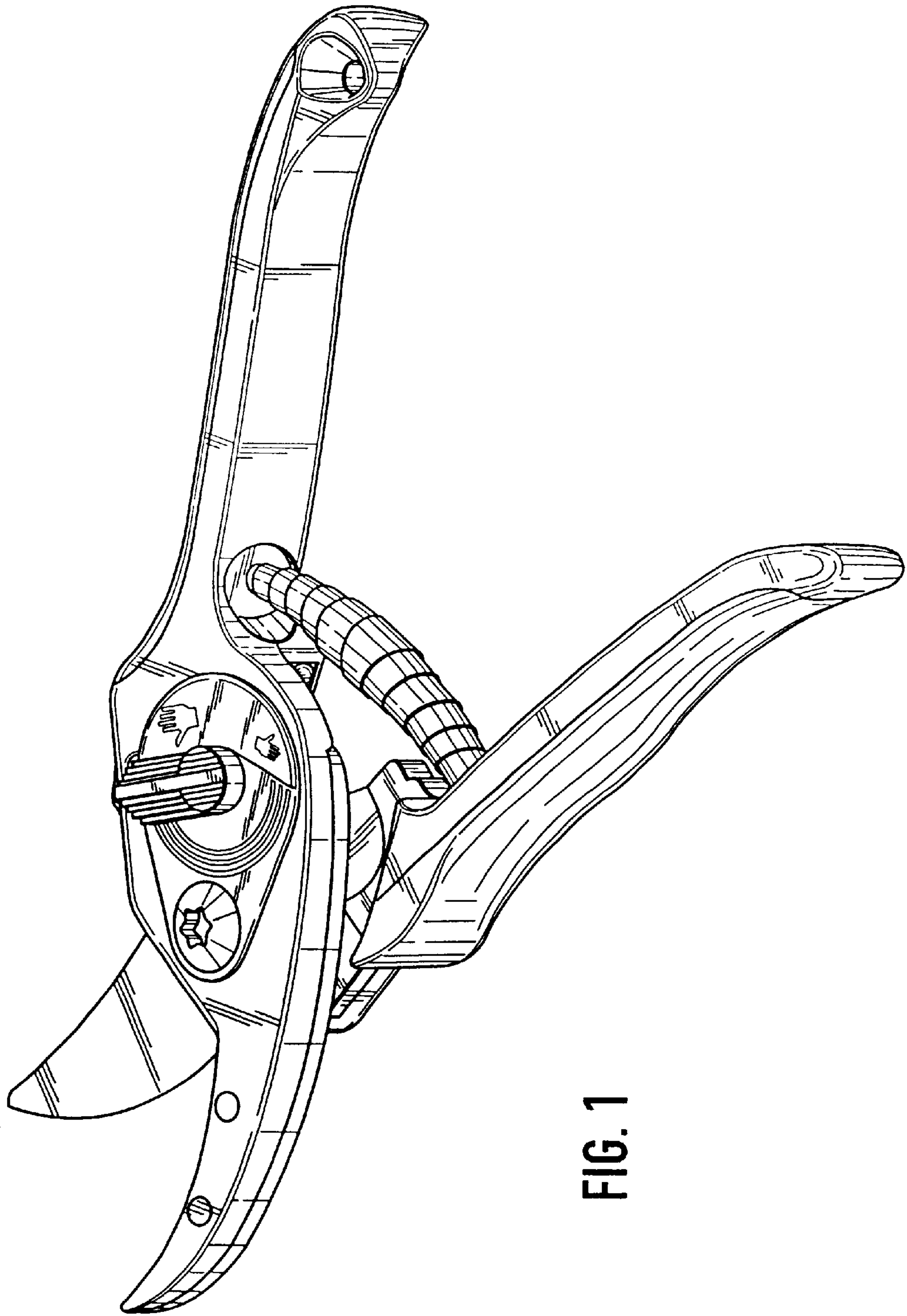


FIG. 1

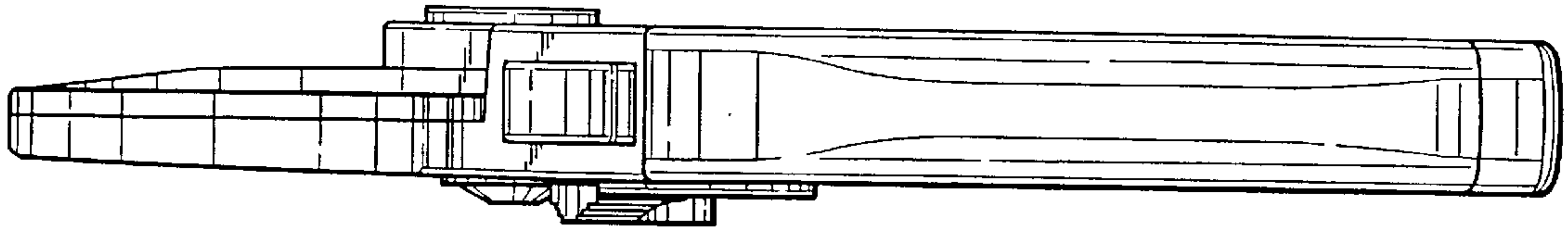


FIG. 2

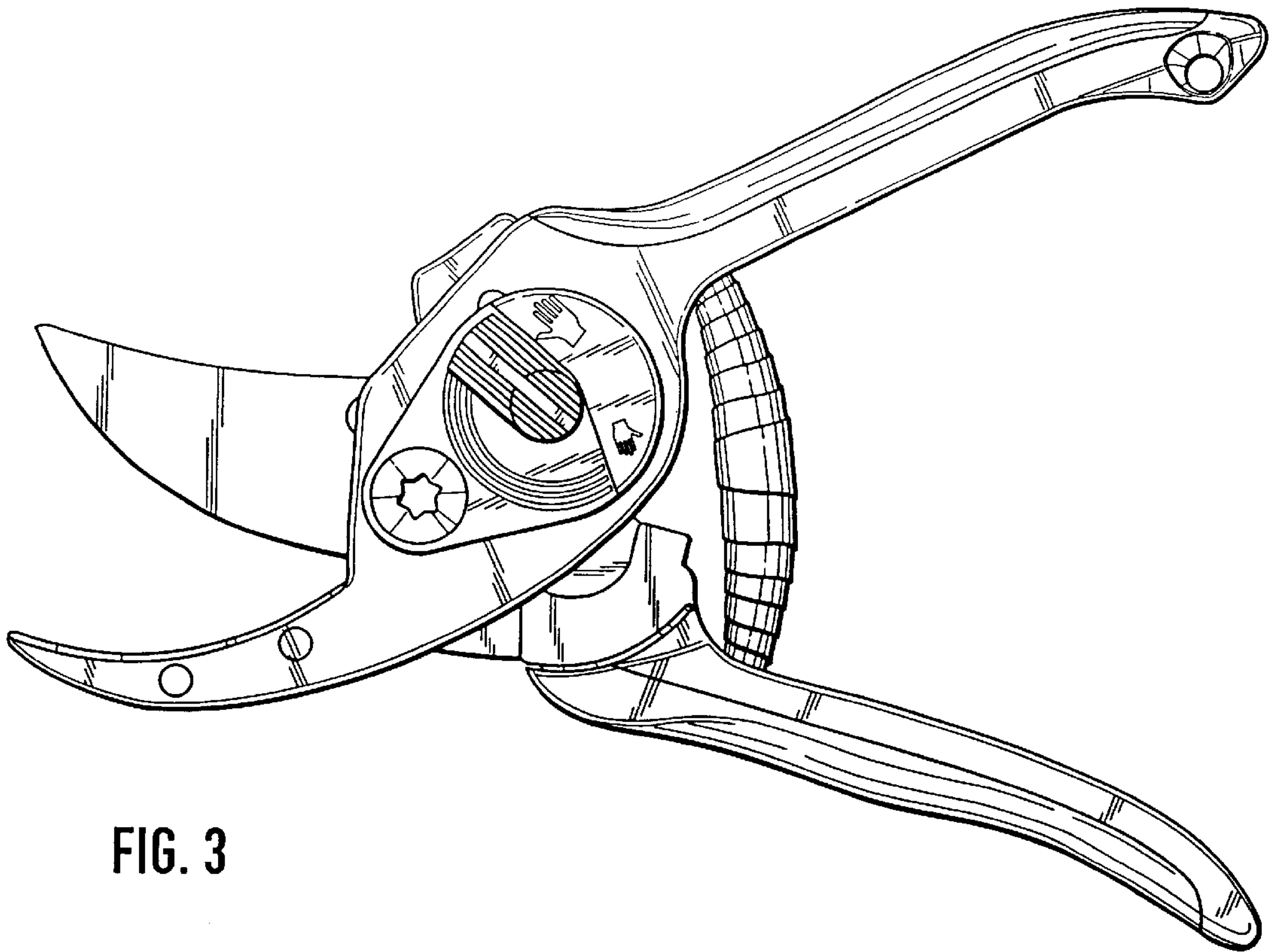


FIG. 3

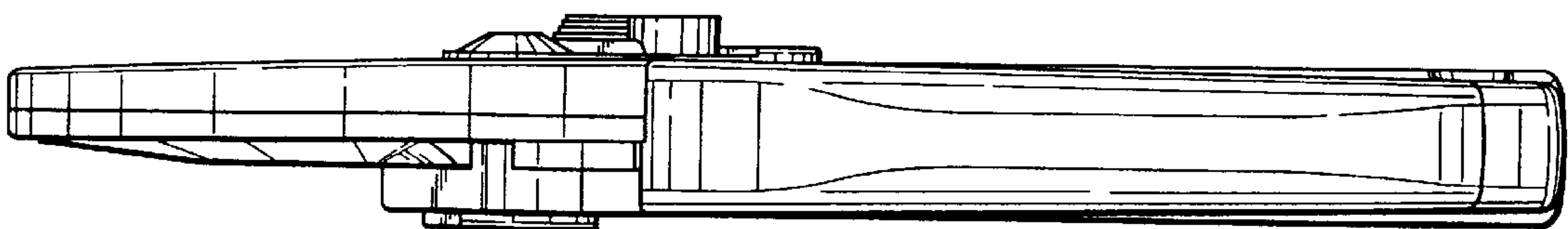


FIG. 4



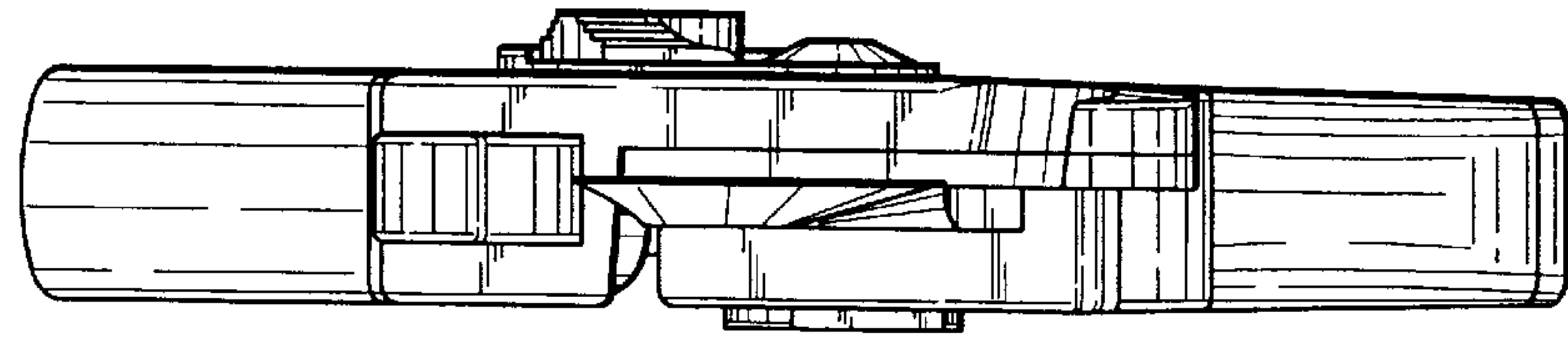


FIG. 7

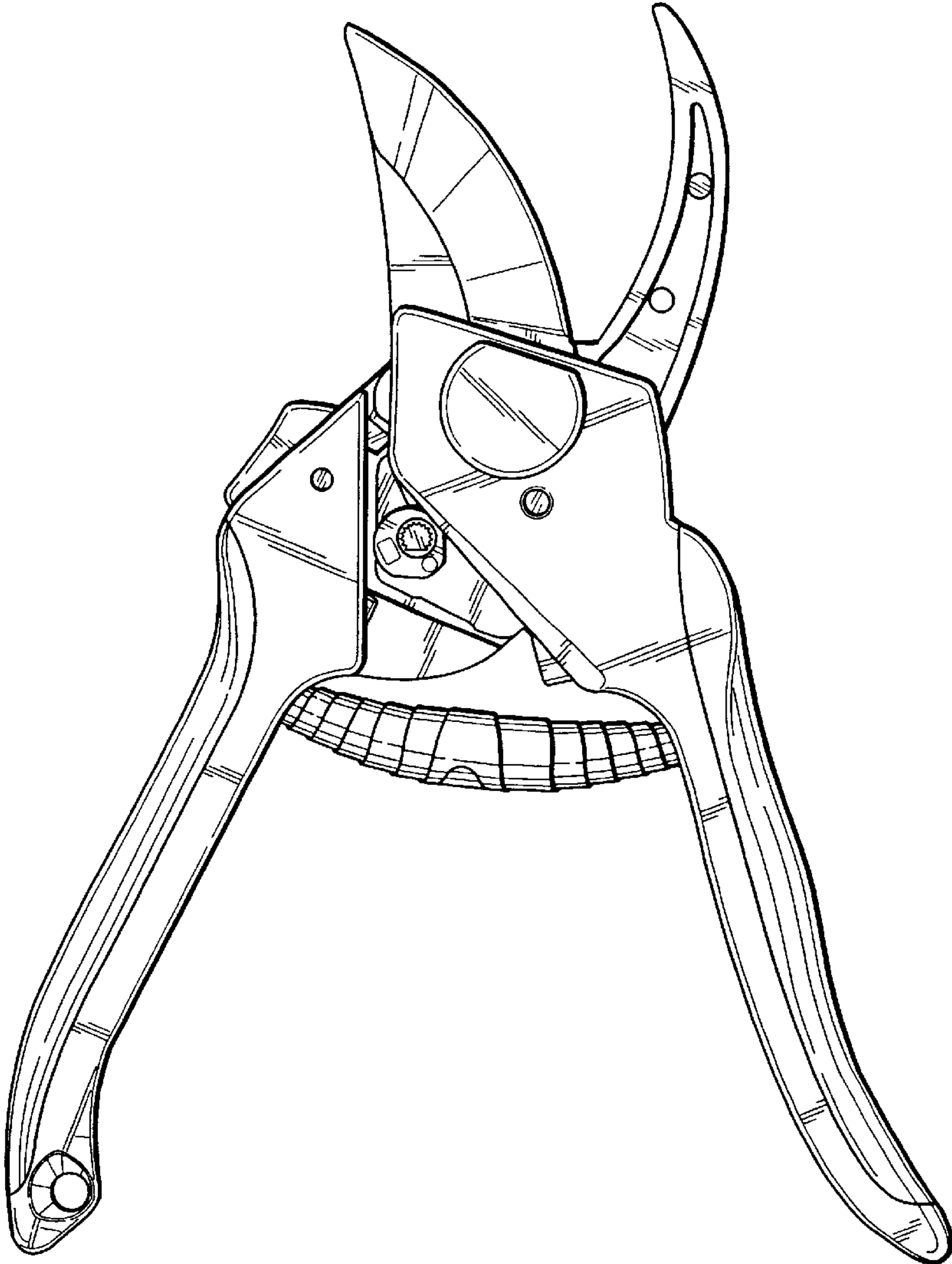


FIG. 6

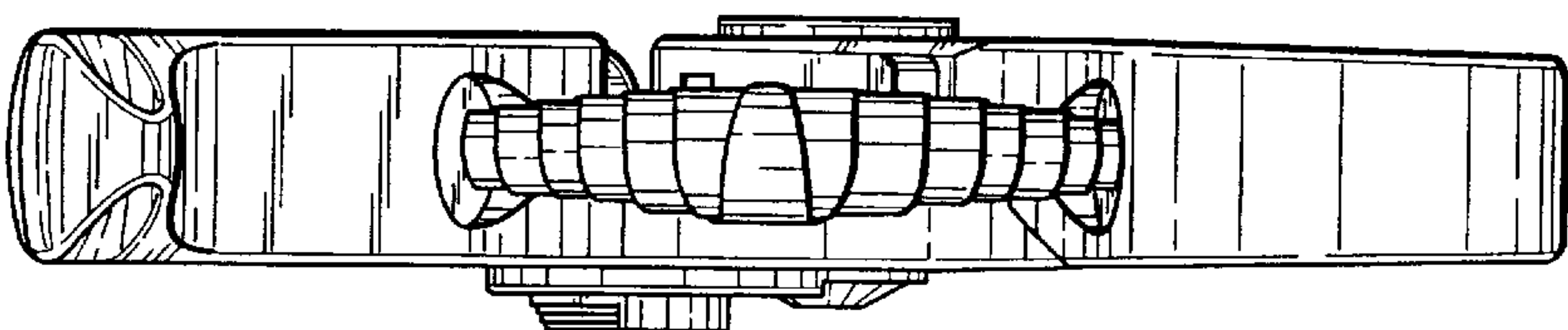


FIG. 5