



US00D457395S

(12) **United States Design Patent**
Gluck

(10) **Patent No.:** **US D457,395 S**

(45) **Date of Patent:** **** May 21, 2002**

(54) **MUG BEVERAGE CONTAINER**
(75) Inventor: **Robert Gluck**, New York, NY (US)
(73) Assignee: **Gordon Industries Ltd.**, Lynbrook, NY (US)
(**) Term: **14 Years**

D429,959 S * 8/2000 Otake D7/510
D431,159 S * 9/2000 Otake D7/510
D436,296 S * 1/2001 Freed D7/523
D442,030 S * 5/2001 Freed D7/523
D444,032 S * 6/2001 Isaacs D7/510
D444,349 S * 7/2001 Lin D7/510

* cited by examiner

Primary Examiner—M. N. Pandozzi
(74) *Attorney, Agent, or Firm*—Ezra Sutton

(21) Appl. No.: **29/140,512**
(22) Filed: **Apr. 19, 2001**

(57) **CLAIM**

(51) **LOC (7) Cl.** **07-01**
(52) **U.S. Cl.** **D7/510; D7/511; D7/533; D7/523**
(58) **Field of Search** D7/509, 523, 536, D7/533, 510, 511; 220/710.5, 714, 713, 715, 719, 737; 215/396, DIG. 8

The ornamental design for mug beverage container, as shown and described.

DESCRIPTION

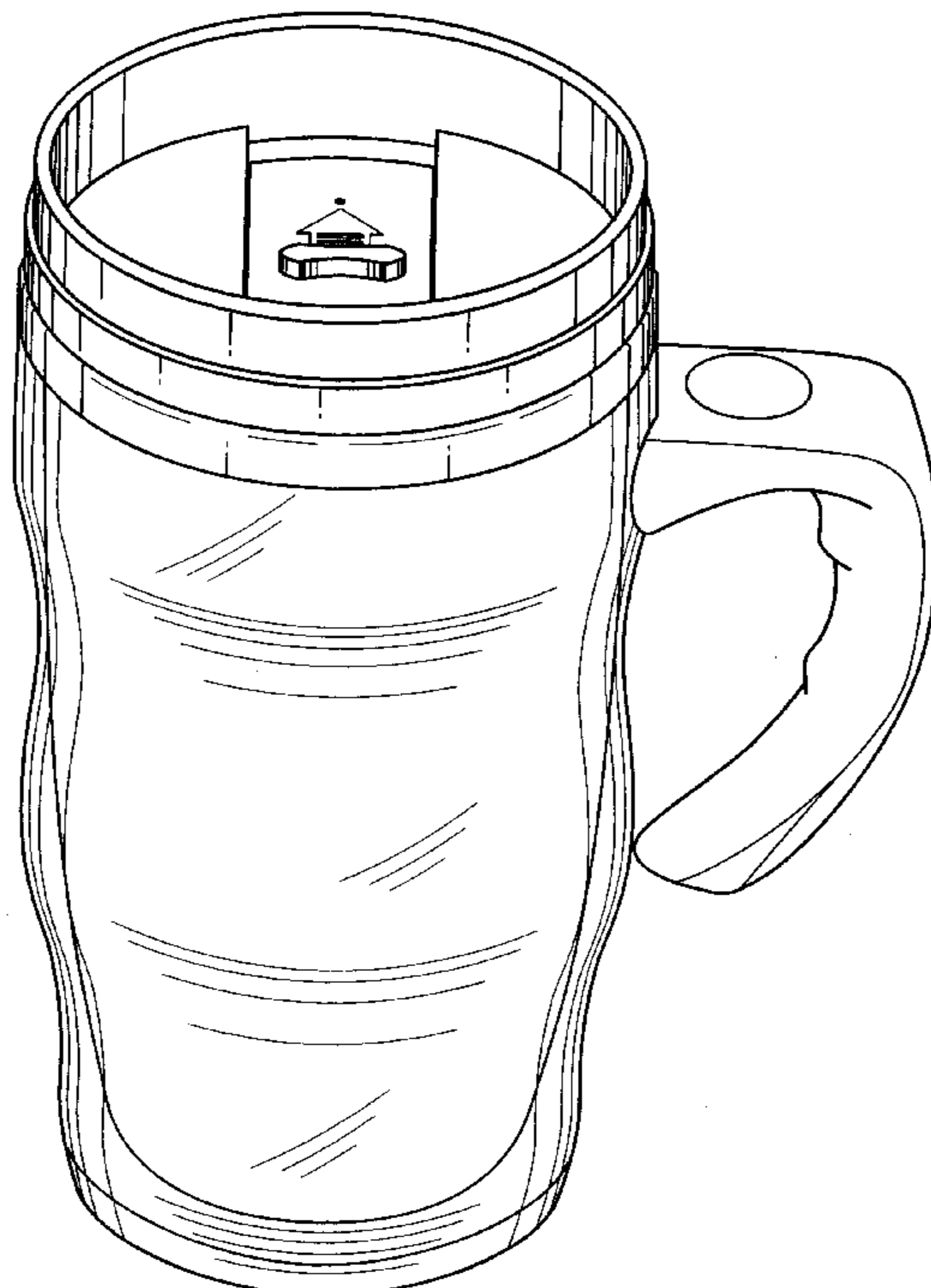
(56) **References Cited**

U.S. PATENT DOCUMENTS

D85,091 S * 9/1931 Fletcher D7/523
D88,258 S * 11/1932 Rose D7/523
D111,766 S * 10/1938 Hansen D7/523
D377,293 S * 1/1997 Husted D7/510
D404,256 S * 1/1999 Asberg D7/511
D406,011 S * 2/1999 Hatsumoto et al. D7/510
D408,221 S * 4/1999 Asberg D7/511
D417,589 S * 12/1999 Parker D7/510
D420,254 S * 2/2000 Park D7/510
D422,842 S * 4/2000 Freed D7/533
D424,878 S * 5/2000 Freed D7/533
D425,758 S * 5/2000 Freed D7/533
D426,109 S * 6/2000 Freed D7/533
D428,306 S * 7/2000 Lee D7/510

FIG. 1 is a front perspective view of the first embodiment of a mug beverage container embodying my new design;
FIG. 2 is a top view thereof;
FIG. 3 is bottom view thereof;
FIG. 4 is a front view thereof;
FIG. 5 is a rear view thereof;
FIG. 6 is a side view thereof, the other side being a mirror image thereof;
FIG. 7 is a front perspective view of the second embodiment of a mug beverage container embodying my new design;
FIG. 8 is a top view thereof;
FIG. 9 is a bottom view thereof;
FIG. 10 is a front view thereof, the rear view being a mirror image thereof; and,
FIG. 11 is a side view thereof, the other side being a mirror image thereof.

1 Claim, 5 Drawing Sheets



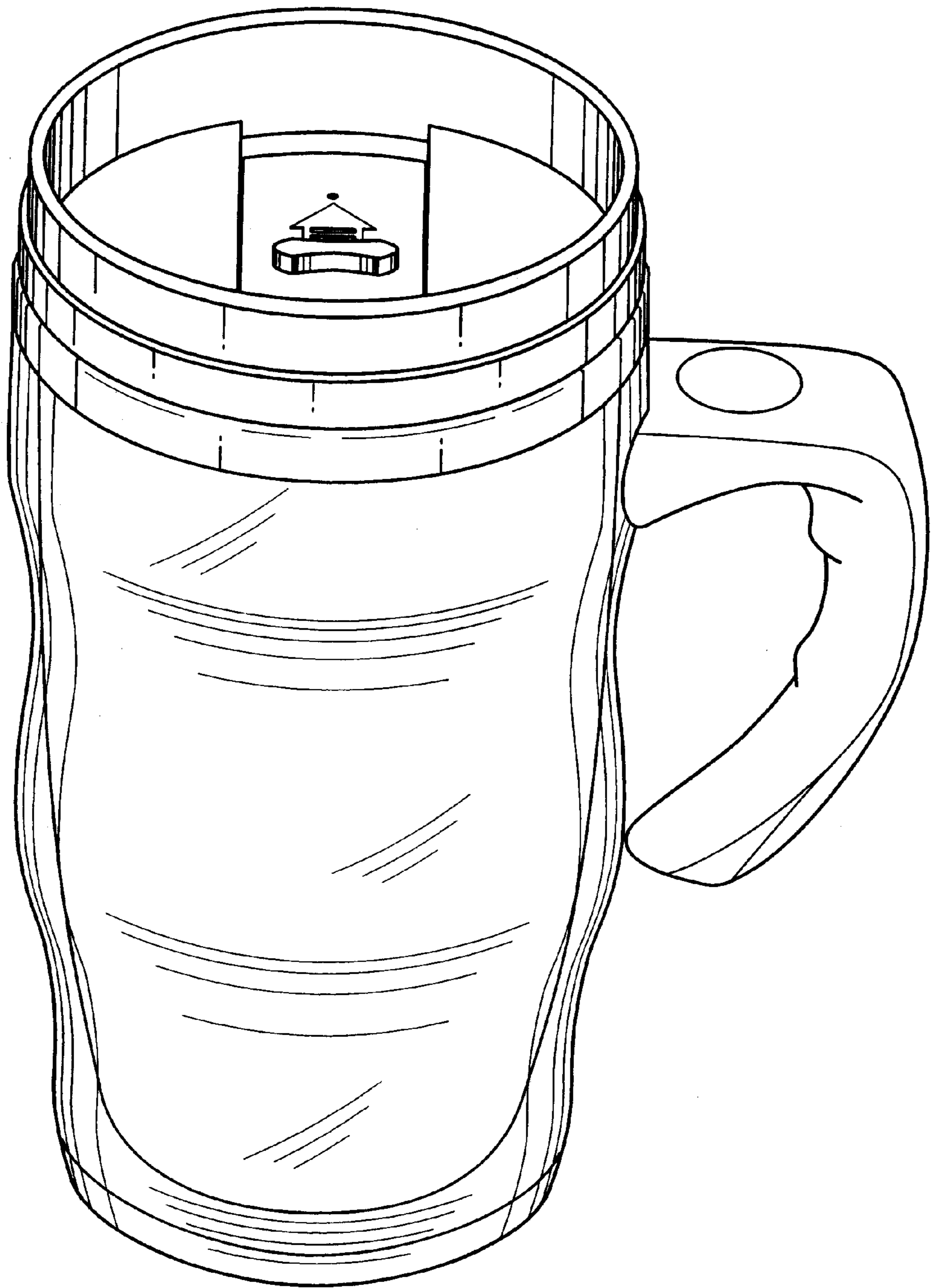


FIG. 1

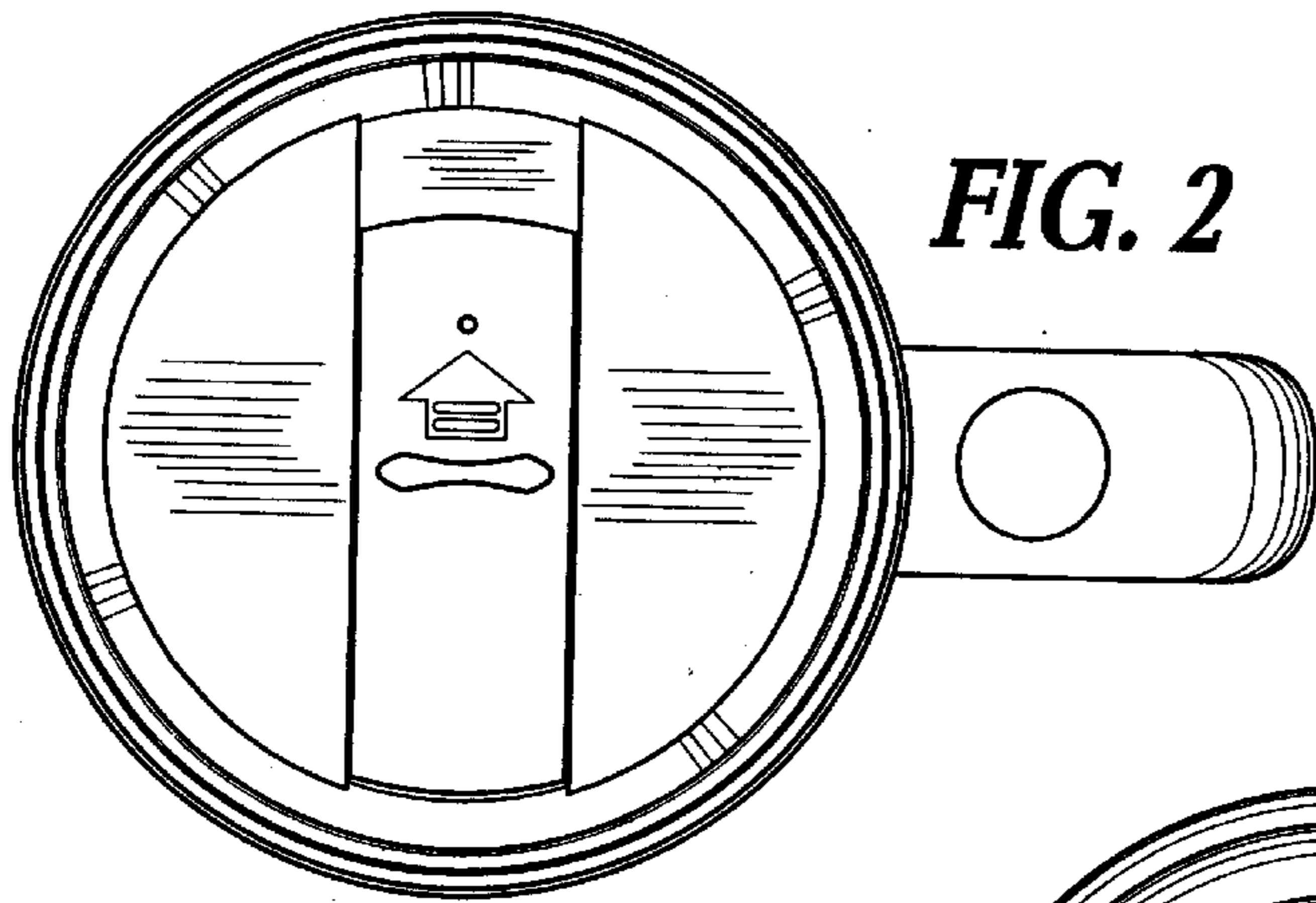


FIG. 2

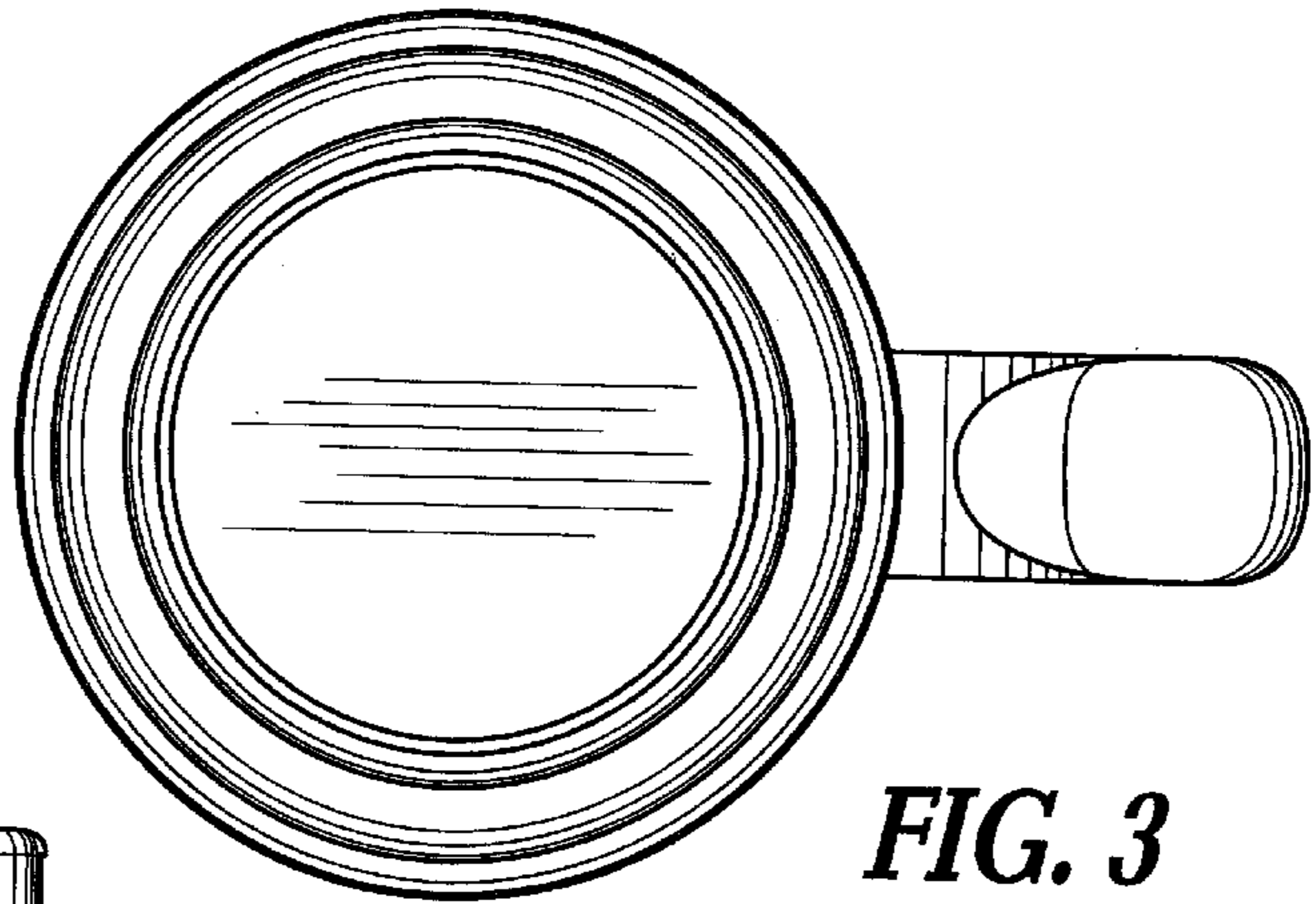


FIG. 3

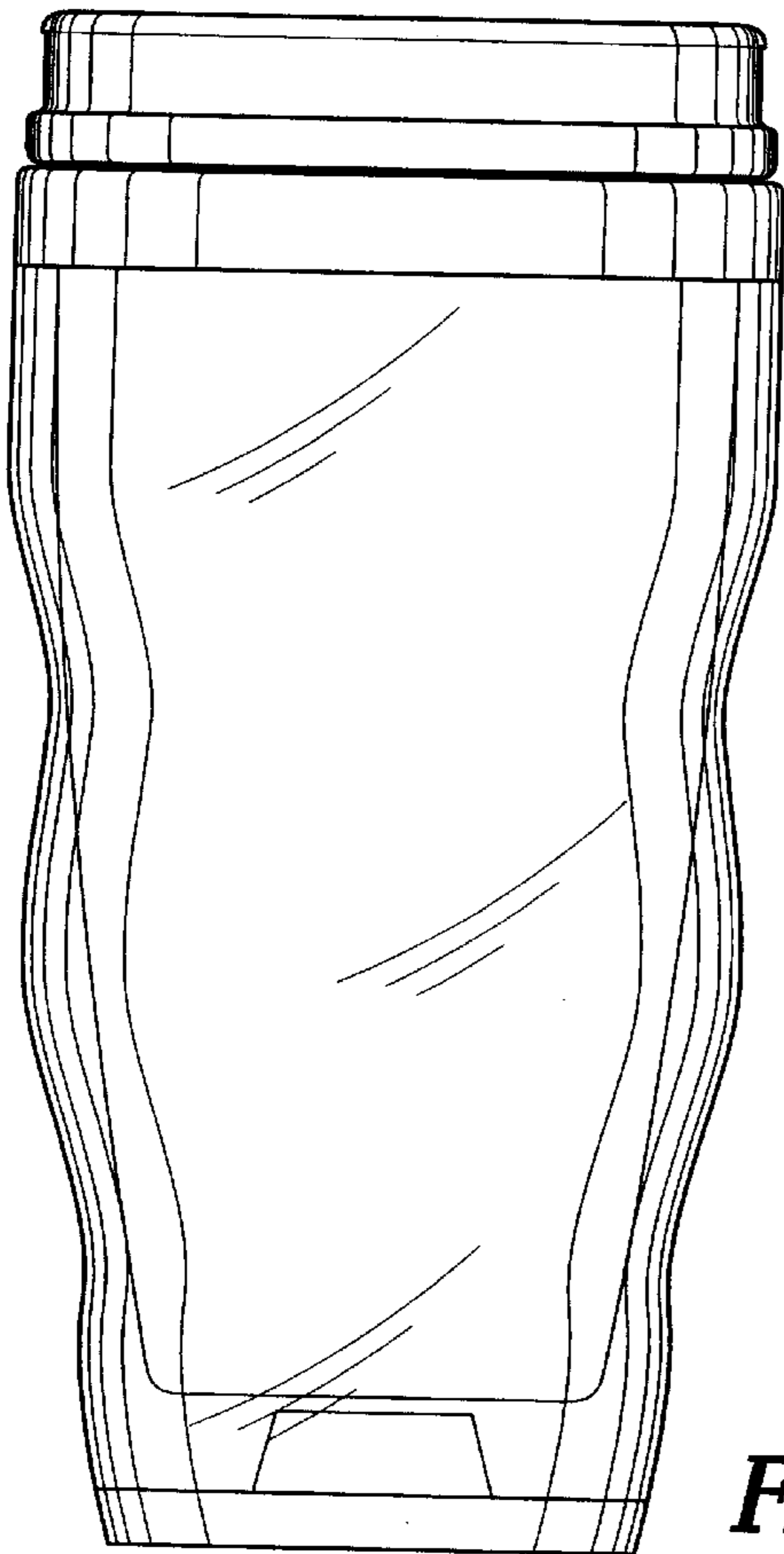


FIG. 4

FIG. 5

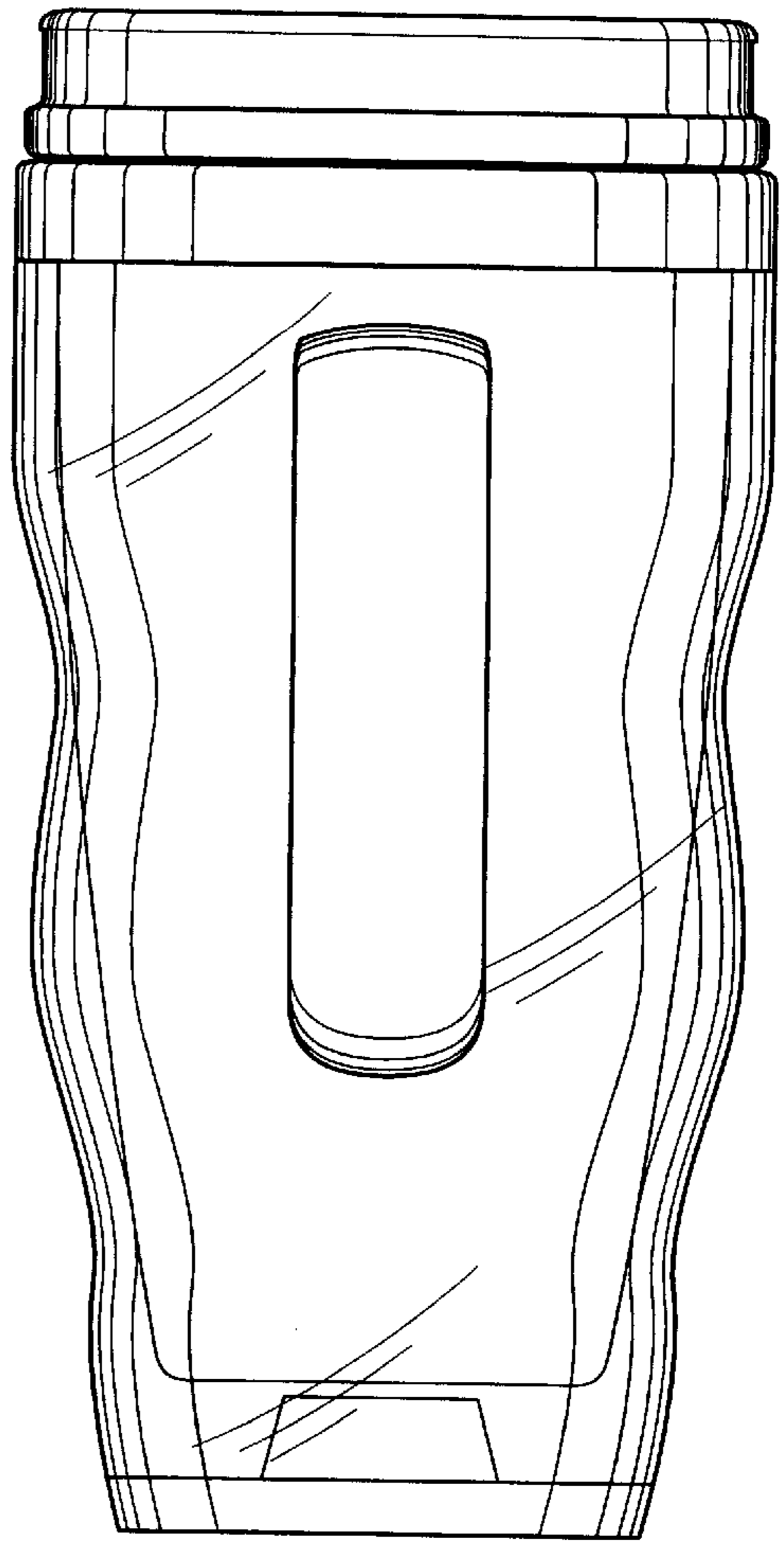


FIG. 6

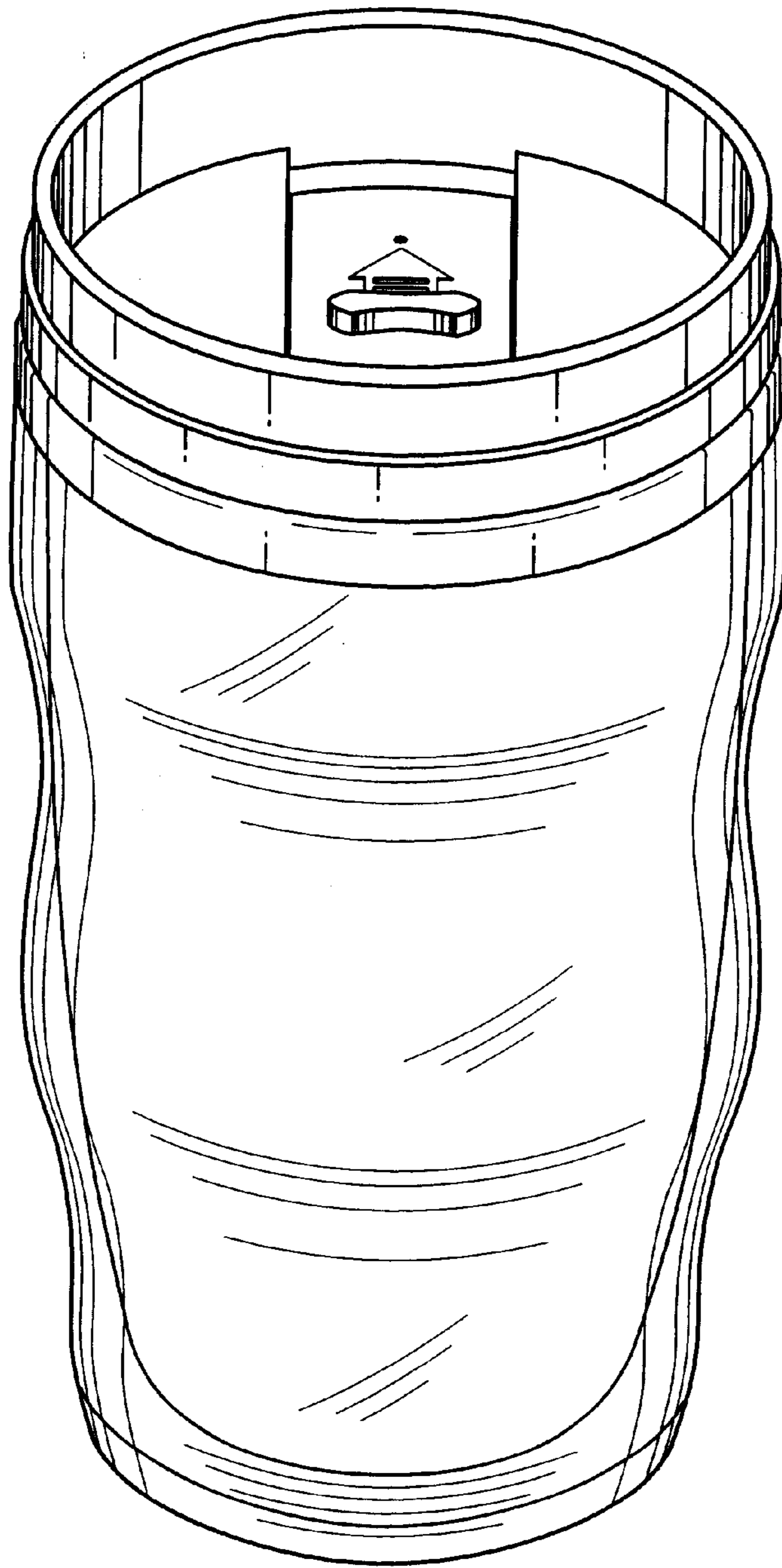


FIG. 7

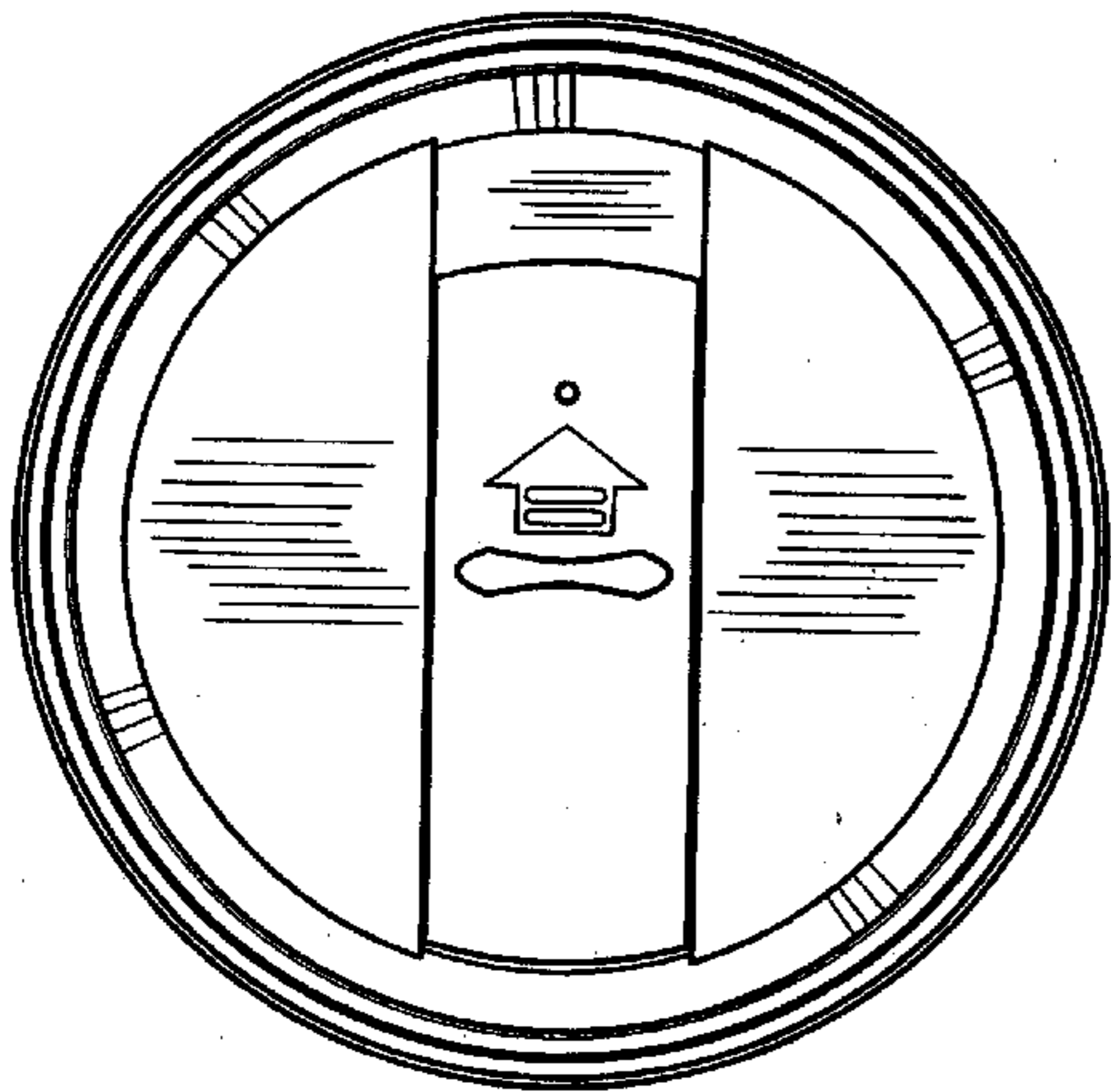


FIG. 8

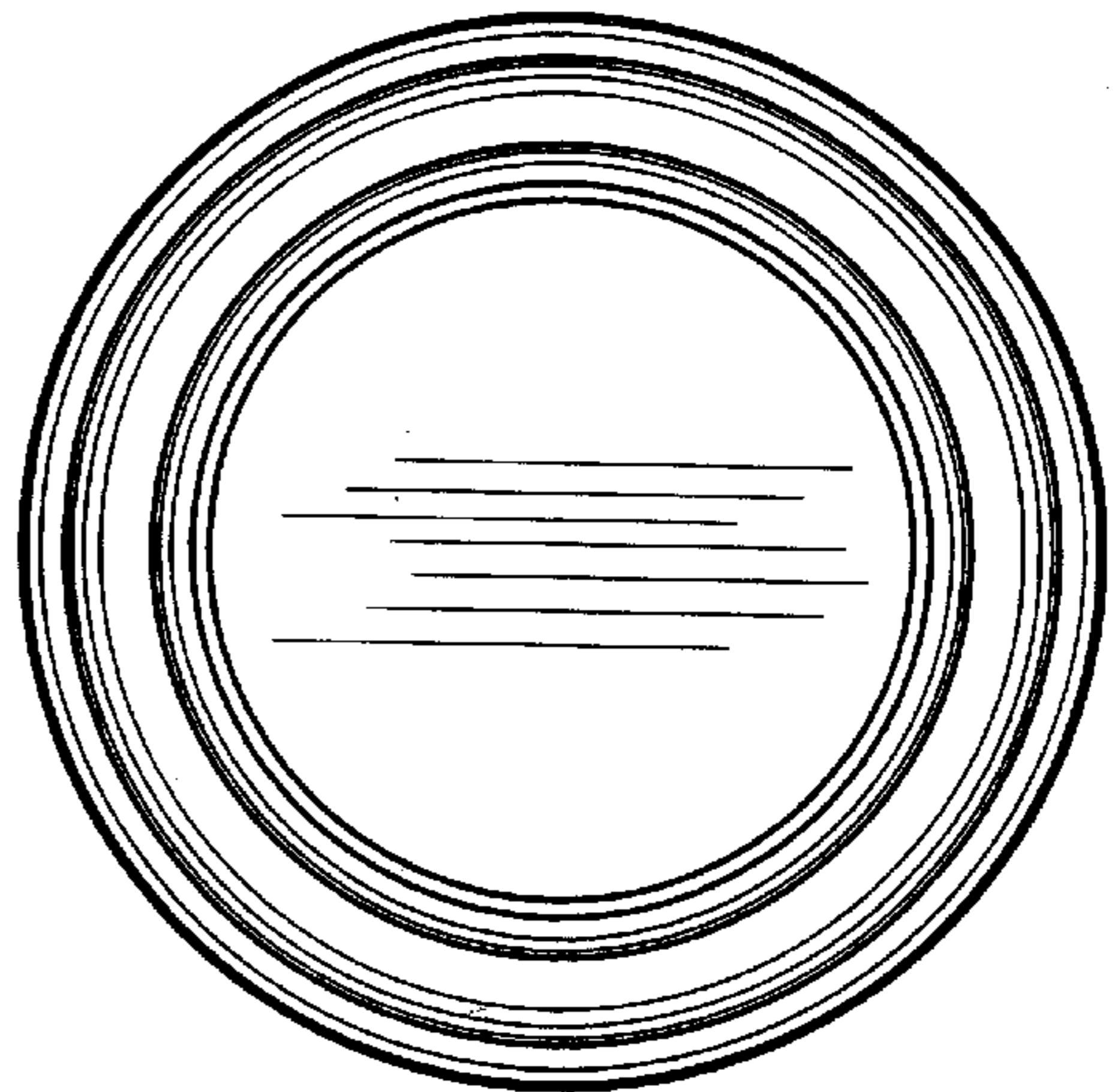


FIG. 9

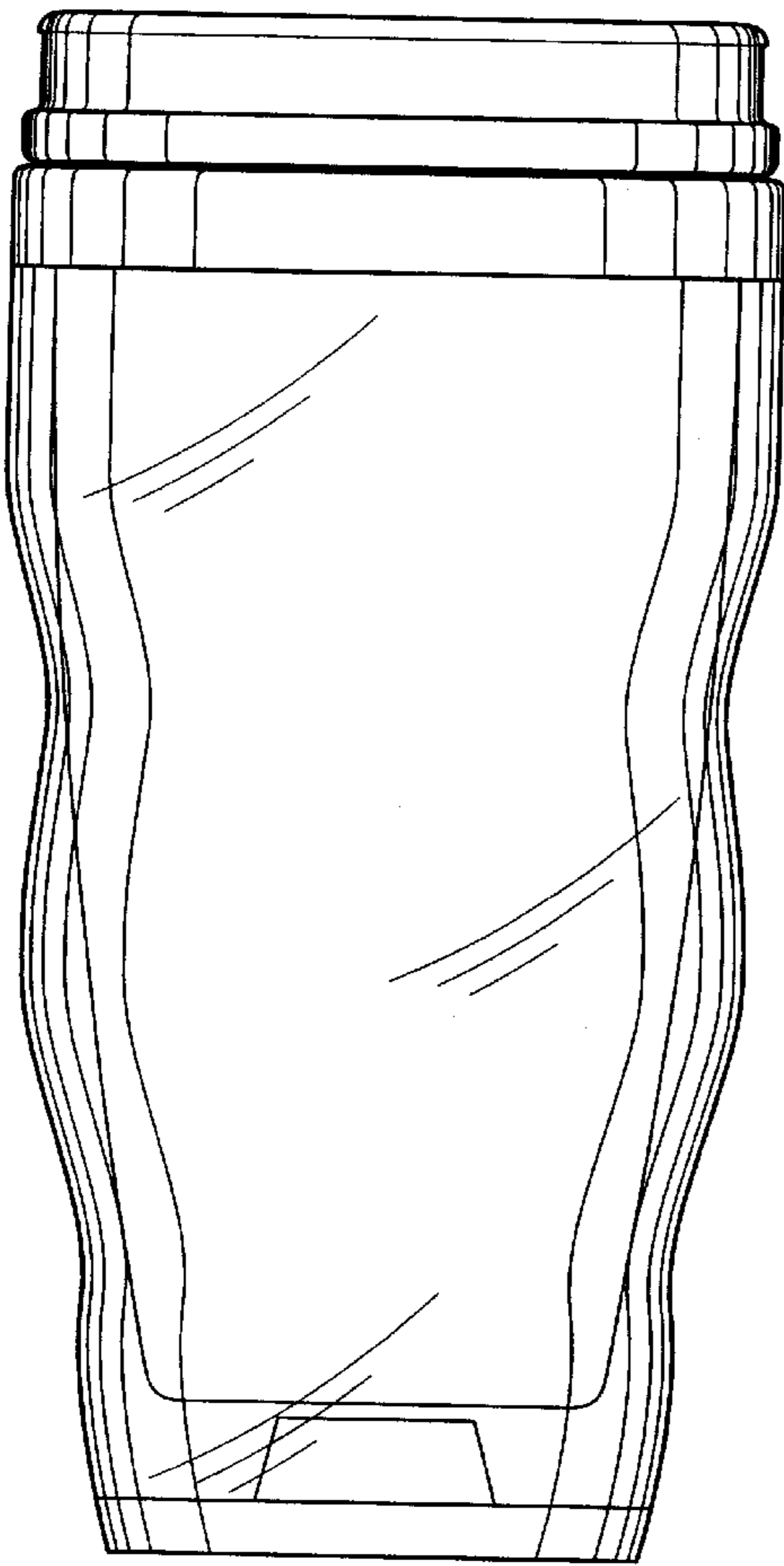


FIG. 10

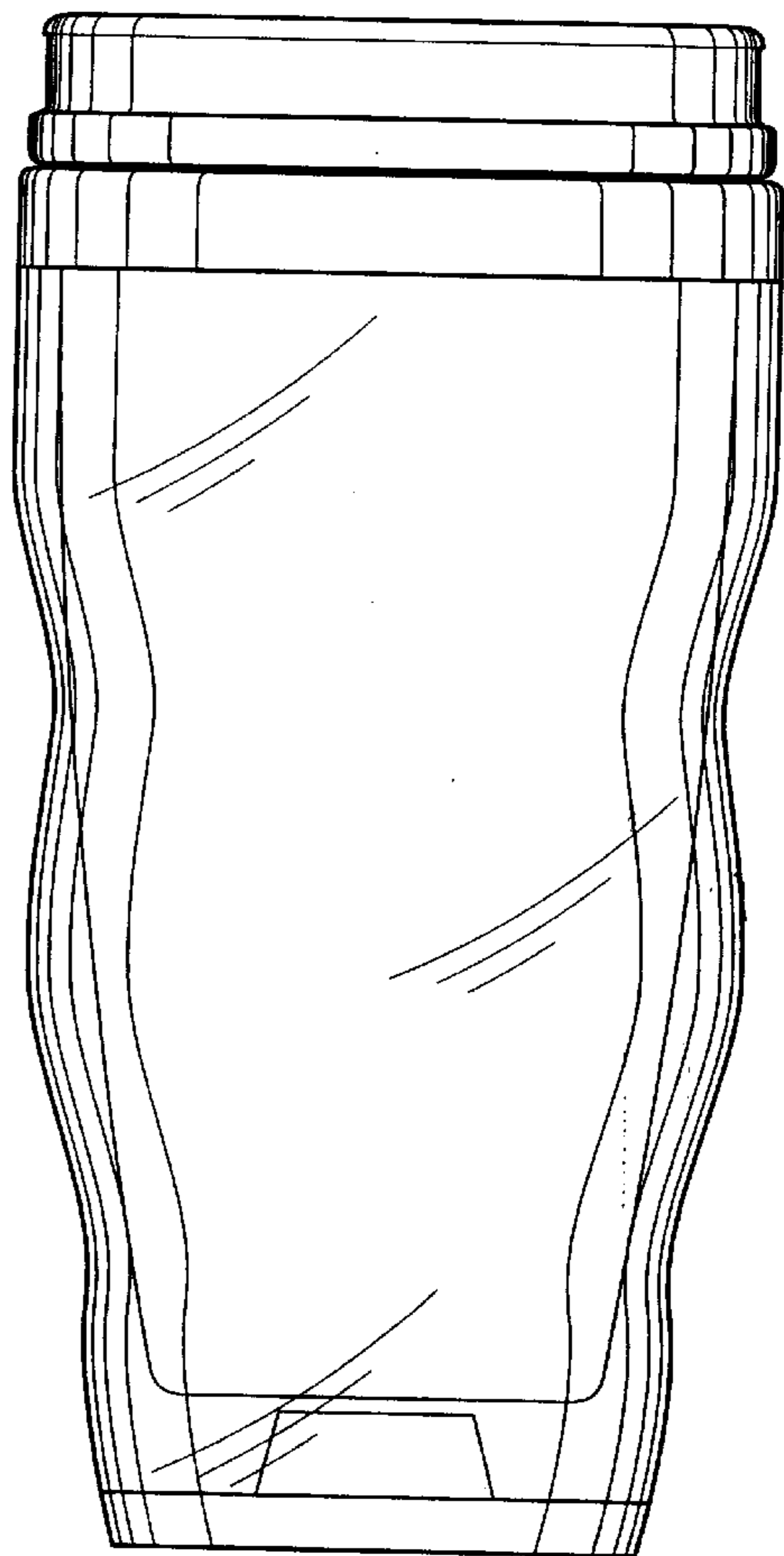


FIG. 11