



US00D457393S

(12) **United States Design Patent**
Lewis

(10) **Patent No.:** **US D457,393 S**

(45) **Date of Patent:** **** May 21, 2002**

(54) **ELECTRIC GRIDDLE SPLATTER SCREEN**

(76) Inventor: **Robert L. Lewis**, 18004 Rew Rd.,
Worley, ID (US) 83876

(**) Term: **14 Years**

(21) Appl. No.: **29/134,916**

(22) Filed: **Jan. 3, 2001**

(51) **LOC (7) Cl.** **07-02**

(52) **U.S. Cl.** **D7/402; D7/409**

(58) **Field of Search** **D7/332, 337, 402,**
D7/409; D6/462; 126/25 R, 29-30, 299 C,
383.1; 220/370, 372; 219/400; 99/449,
450, 645

(56) **References Cited**

U.S. PATENT DOCUMENTS

2,680,532 A	6/1954	Mitchell	
D179,649 S	* 2/1957	Maddox D6/462
D243,436 S	* 2/1977	Vida D7/332
4,103,420 A	8/1978	Davis	
D268,163 S	* 3/1983	Hansen D7/409
4,747,392 A	5/1988	Rogers	

4,920,950 A	* 5/1990	Johnson 126/29
D329,764 S	* 9/1992	Evans D6/462
D337,477 S	* 7/1993	Garza D7/332
5,542,347 A	8/1996	Joseph	
5,992,675 A	11/1999	Kerr	
6,056,146 A	5/2000	Varakian et al.	
6,135,014 A	* 10/2000	Chang 99/339

* cited by examiner

Primary Examiner—Ruth McInroy

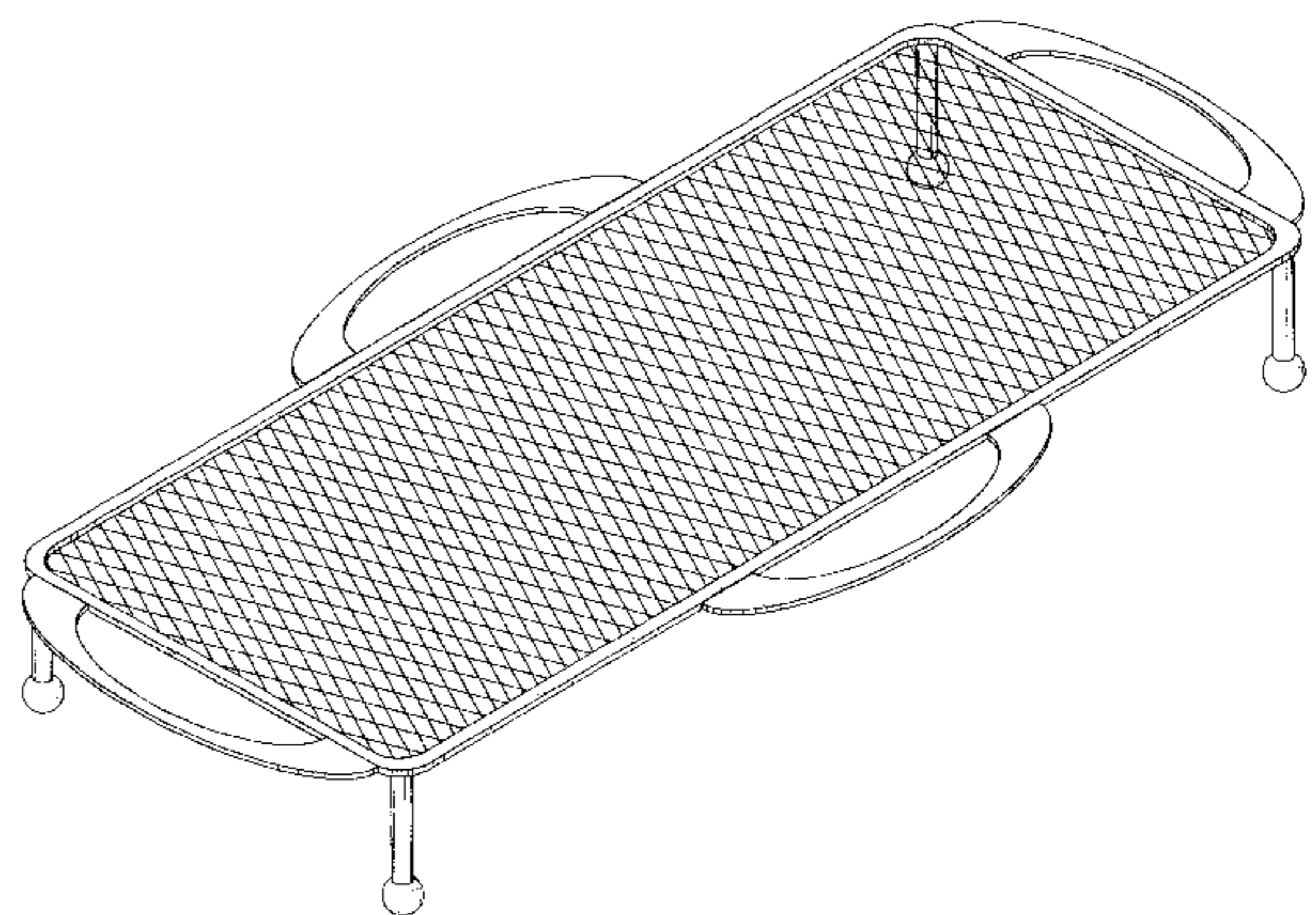
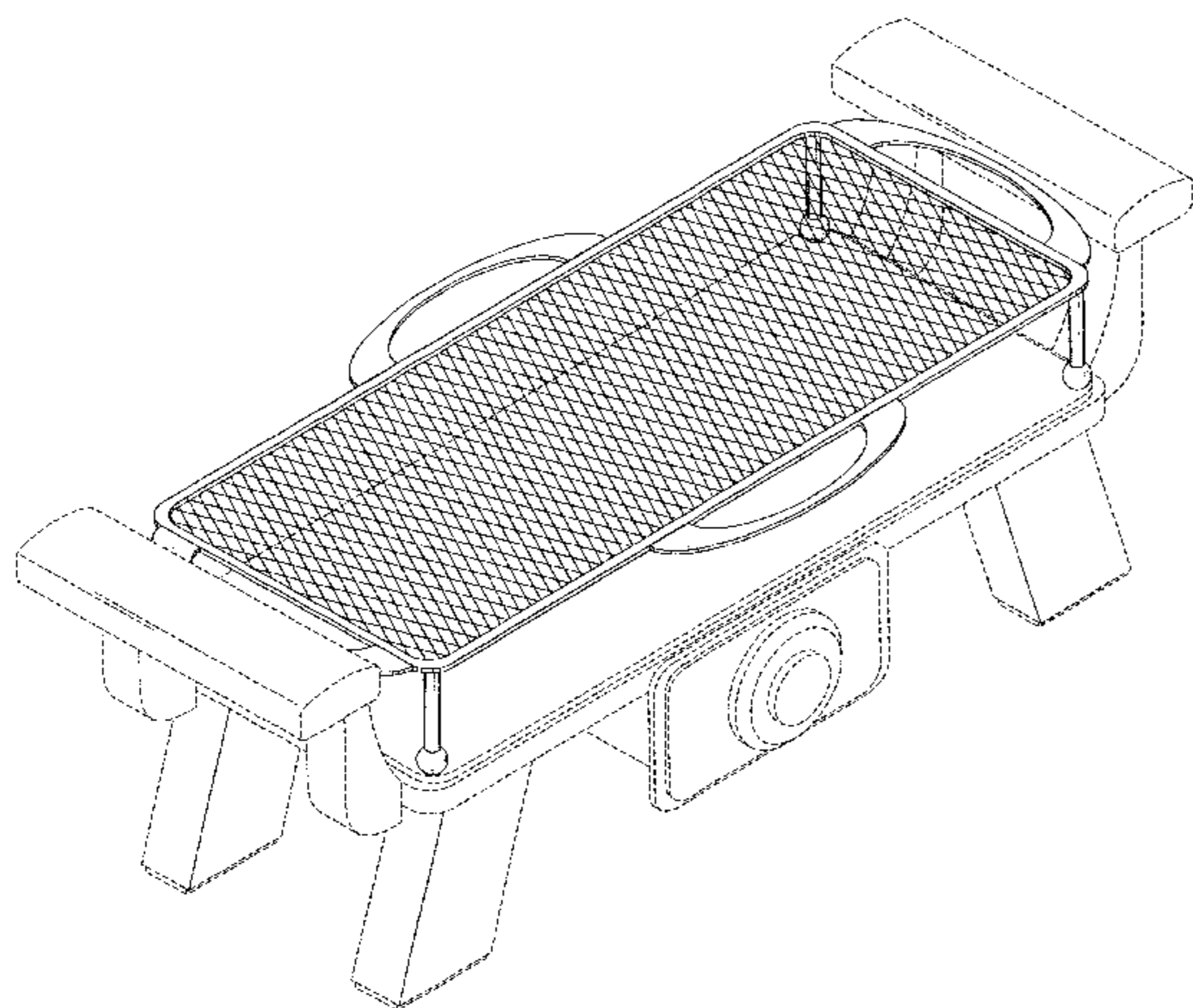
(57) **CLAIM**

The ornamental design for the electric griddle splatter screen, as shown and described.

DESCRIPTION

FIG. 1 is a perspective view of an electric griddle splatter screen showing my new design;
FIG. 2 is a perspective view thereof;
FIG. 3 is a side elevational view;
FIG. 4 is an end elevational view;
FIG. 5 is a top plan view; and,
FIG. 6 is a bottom plan view.

1 Claim, 5 Drawing Sheets



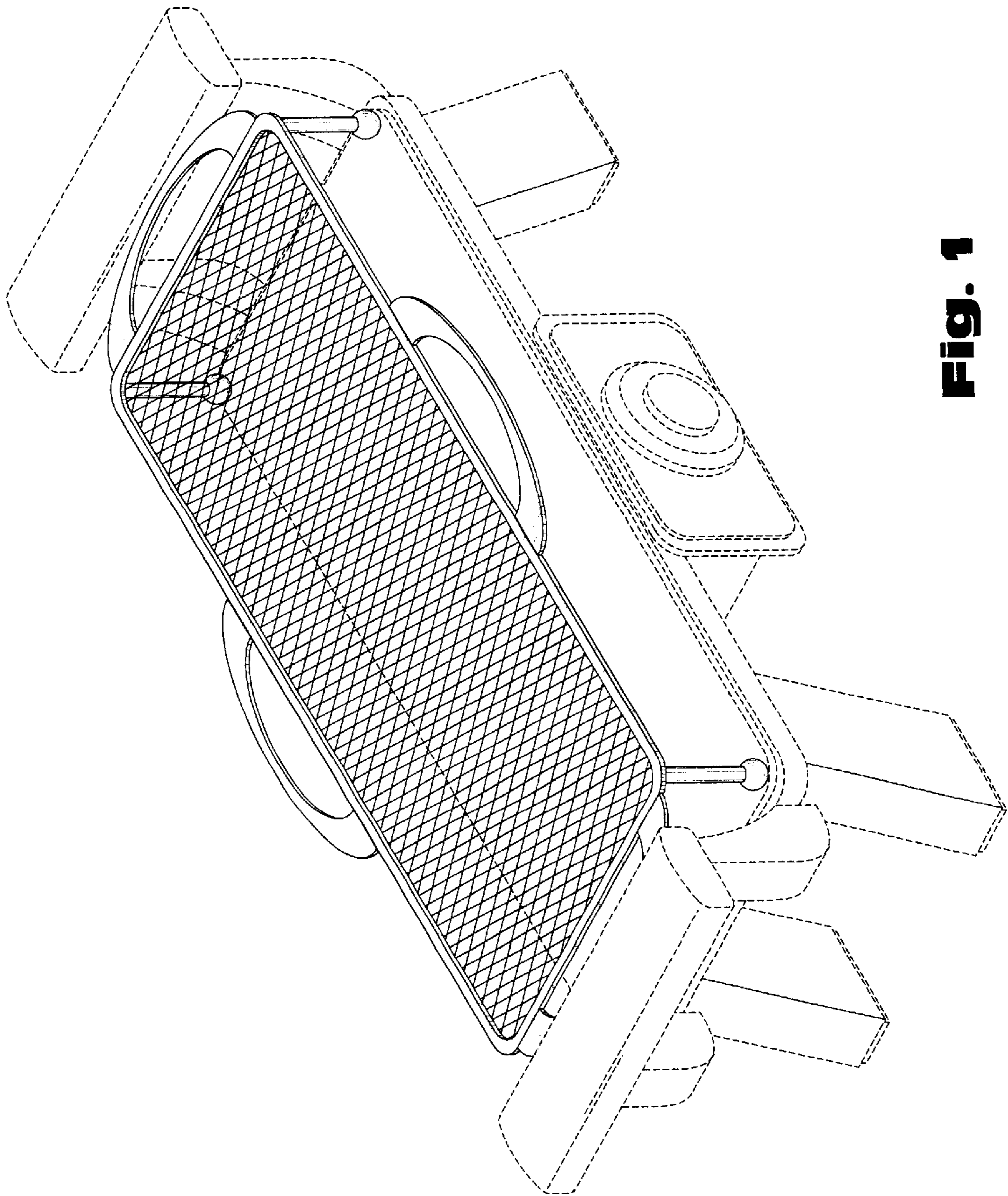


Fig. 1

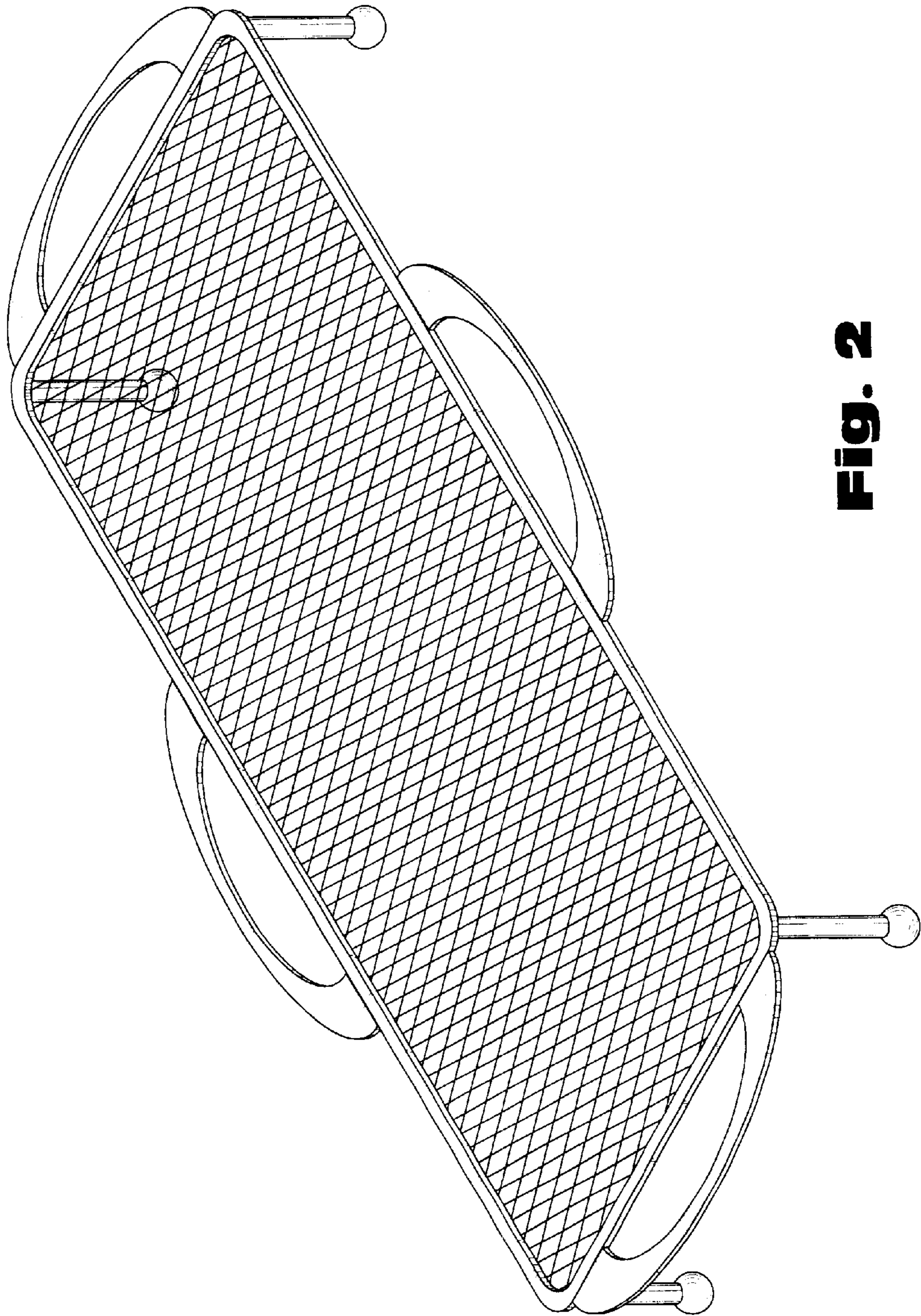


Fig. 2

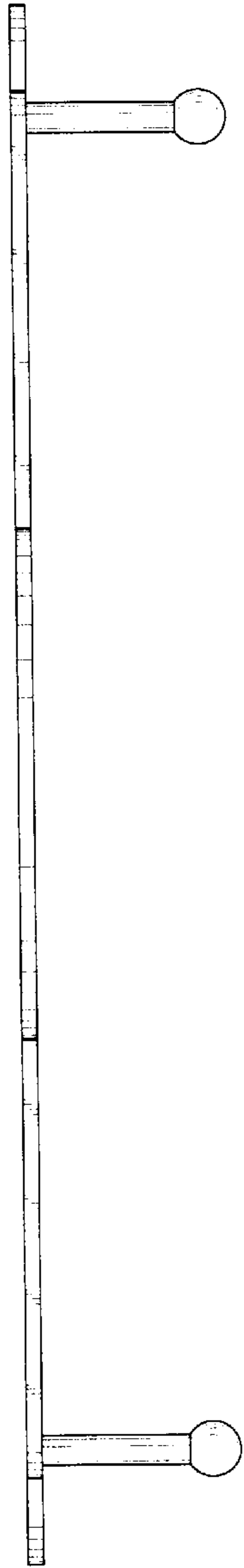


Fig. 3

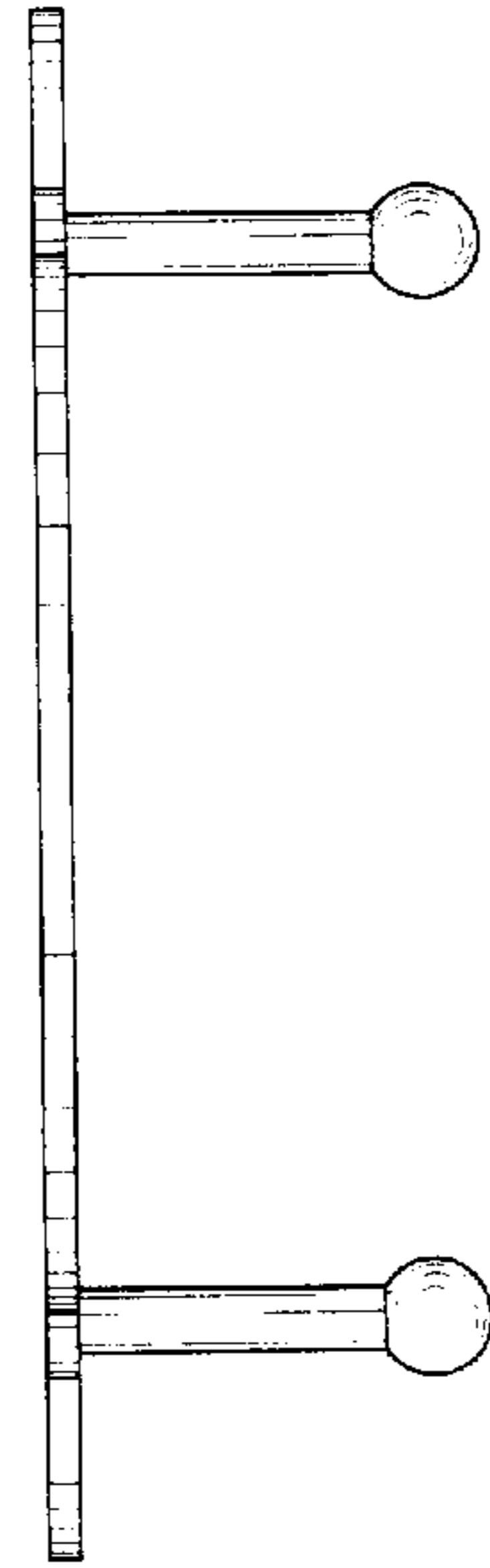


Fig. 4

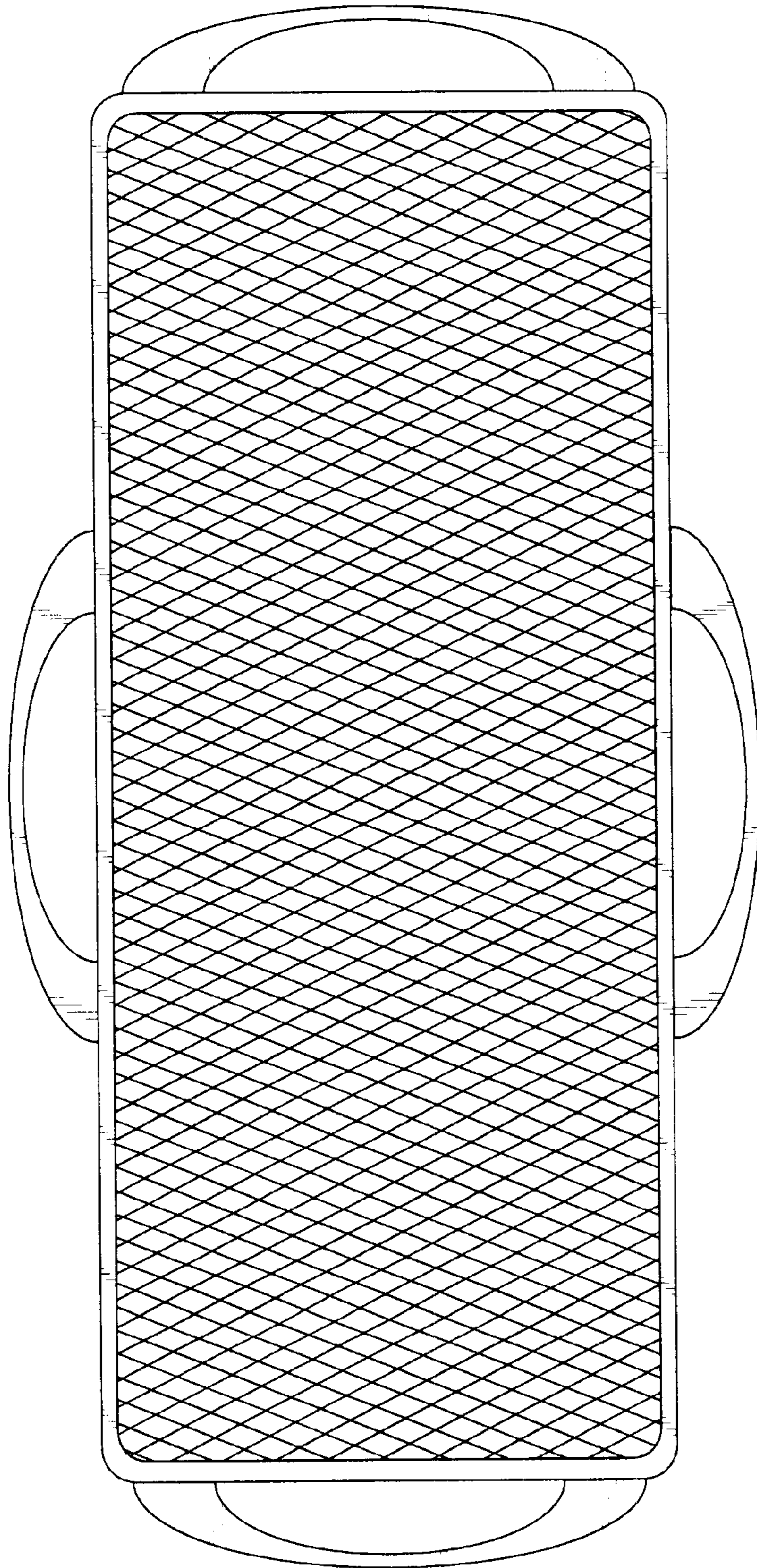


Fig. 5

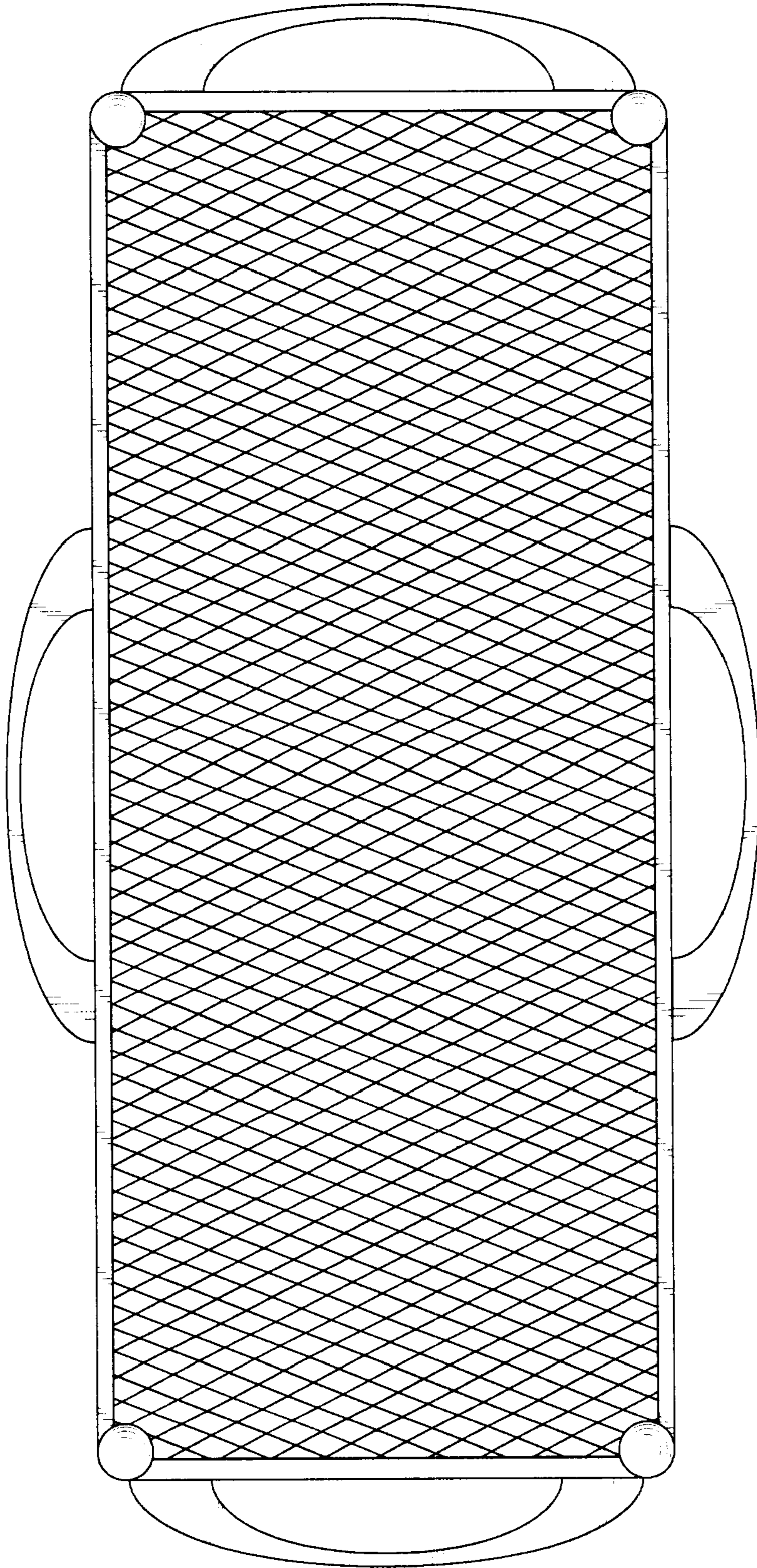


Fig. 6