



US00D457392S

(12) **United States Design Patent**  
**Joergensen**

(10) **Patent No.:** **US D457,392 S**

(45) **Date of Patent:** **\*\* May 21, 2002**

(54) **LID FOR POTS**

(75) **Inventor:** **Carsten Joergensen, St. Niklausen (CH)**

(73) **Assignee:** **PI-Design AG, Triengen (CH)**

(\*\*) **Term:** **14 Years**

(21) **Appl. No.:** **29/130,631**

(22) **Filed:** **Oct. 6, 2000**

(30) **Foreign Application Priority Data**

Apr. 10, 2000 (DK) ..... MA 2000 00403

(51) **LOC (7) Cl.** ..... **07-02**

(52) **U.S. Cl.** ..... **D7/402**

(58) **Field of Search** ..... D7/402, 317, 318,  
D7/321, 354, 360, 387, 391, 392, 392.1,  
393, 394, 590; 99/279, 323, 413

(56) **References Cited**

**U.S. PATENT DOCUMENTS**

- D50,645 S \* 4/1917 Brock
- 3,252,404 A \* 5/1966 Cox ..... 99/349
- D297,295 S \* 8/1988 Palsby ..... D7/317
- D360,101 S \* 7/1995 Lee ..... D7/300

- D367,580 S \* 3/1996 Joergensen ..... D7/318
- D395,787 S \* 7/1998 Wilks ..... D7/357
- D427,846 S \* 7/2000 Hajwanie ..... D7/391
- D434,266 S \* 11/2000 Dobson et al. .... D7/354
- 6,170,386 B1 \* 1/2001 Paul ..... 99/281

\* cited by examiner

*Primary Examiner*—Ted Shooman

*Assistant Examiner*—Daniel Bui

(74) *Attorney, Agent, or Firm*—Nath & Associates PLLC;  
Gary M. Nath; Marvin C. Berkowitz

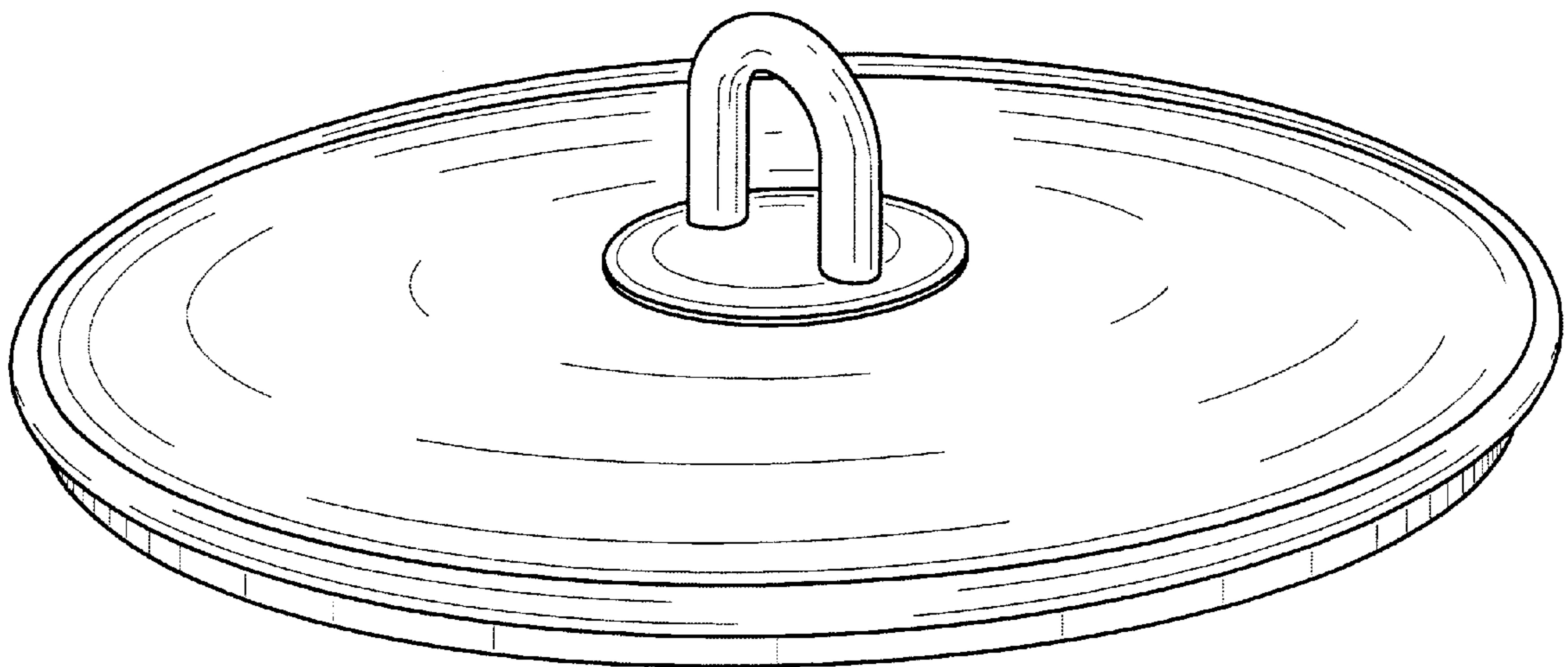
(57) **CLAIM**

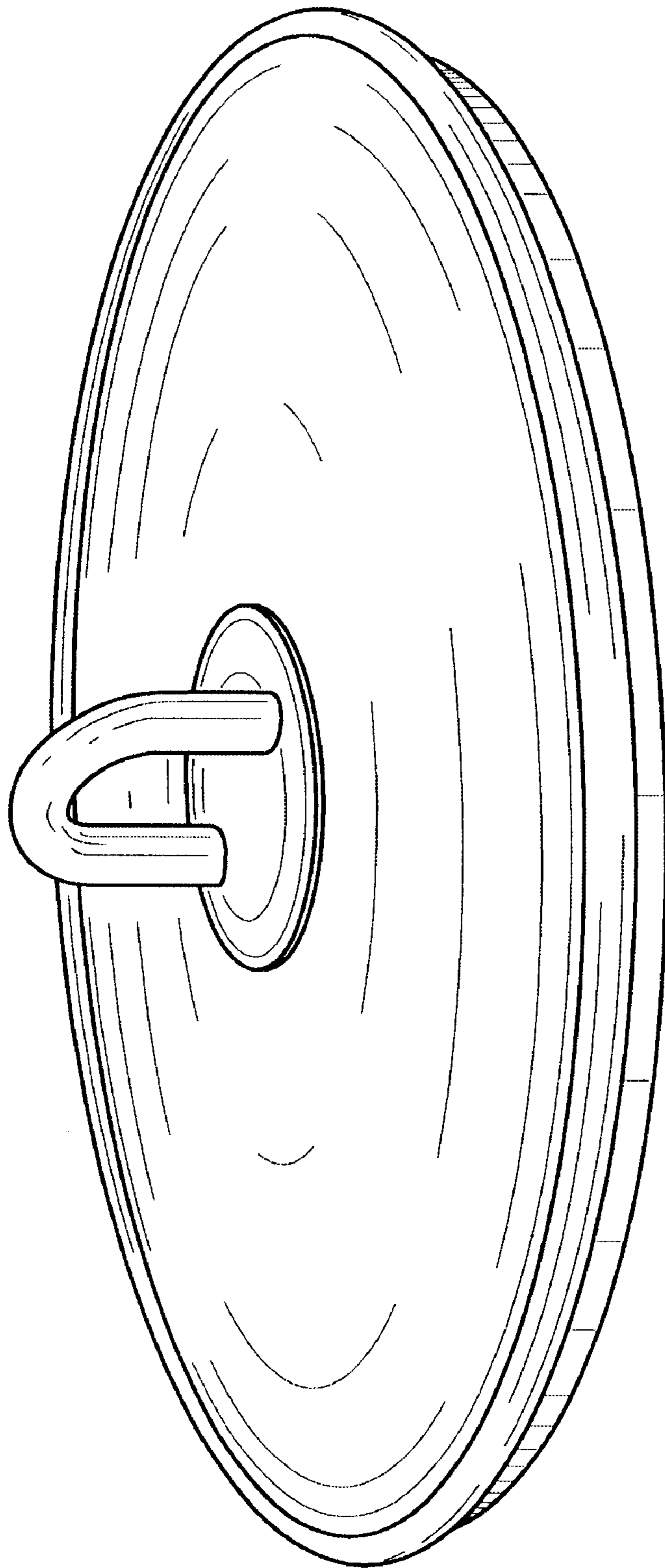
The ornamental design for a lid for pots, as shown and described.

**DESCRIPTION**

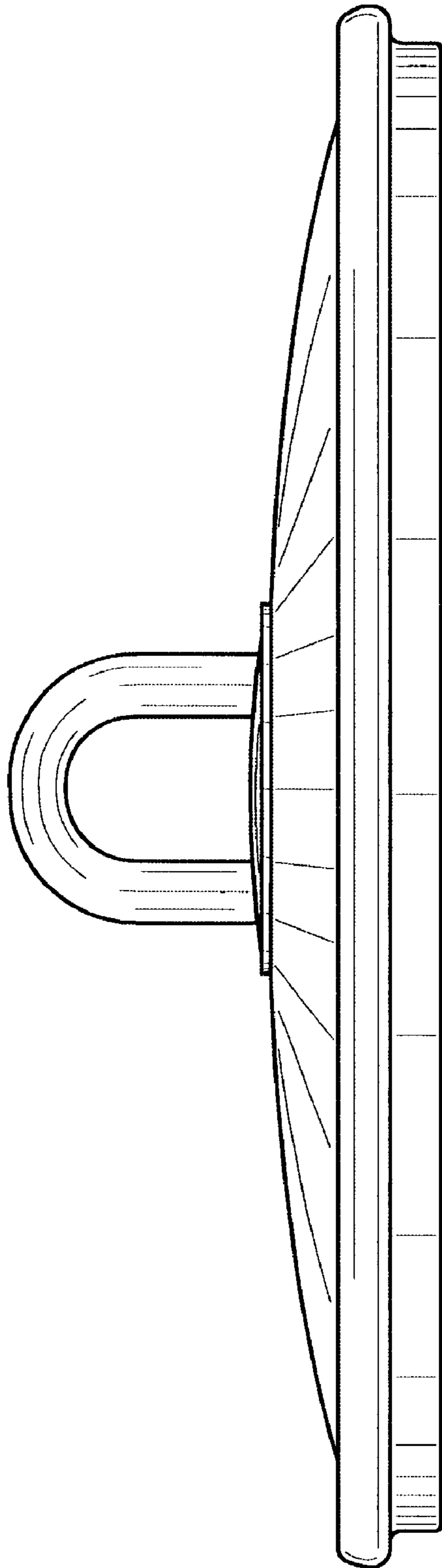
FIG. 1 is an oblique perspective view of the lid for pots;  
FIG. 2 is a right side view of the lid for pots, as shown in FIG. 1;  
FIG. 3 is a left side view of the lid for pots;  
FIG. 4 is a front side view of the lid for pots;  
FIG. 5 is a back side view of the lid for pots;  
FIG. 6 is a top view of the lid for pots; and,  
FIG. 7 is a bottom view of the lid for pots.

**1 Claim, 7 Drawing Sheets**

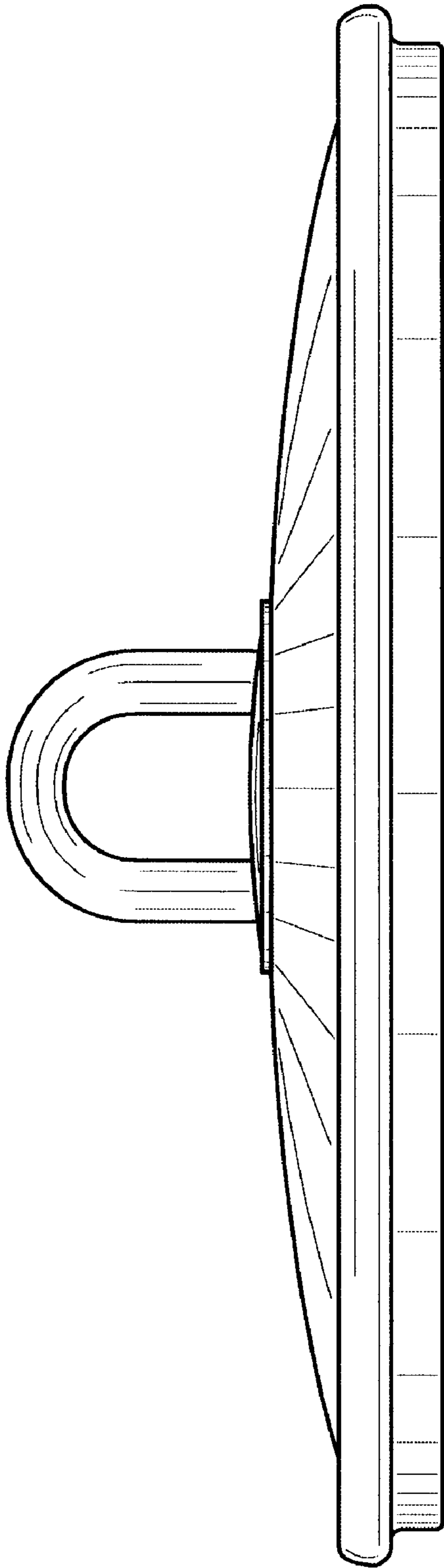




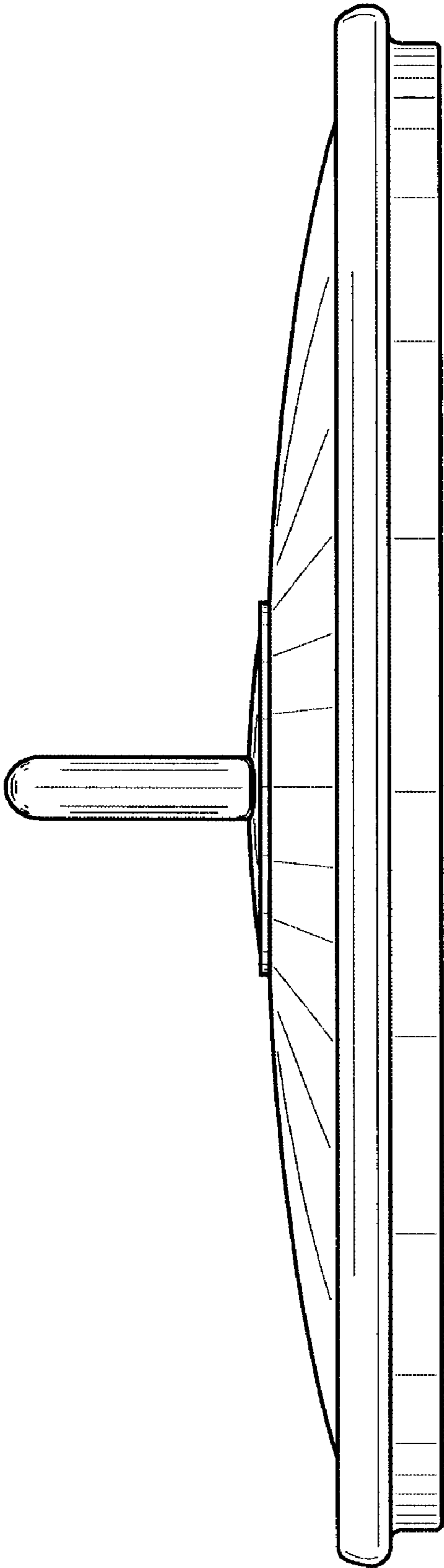
**FIG. 1**



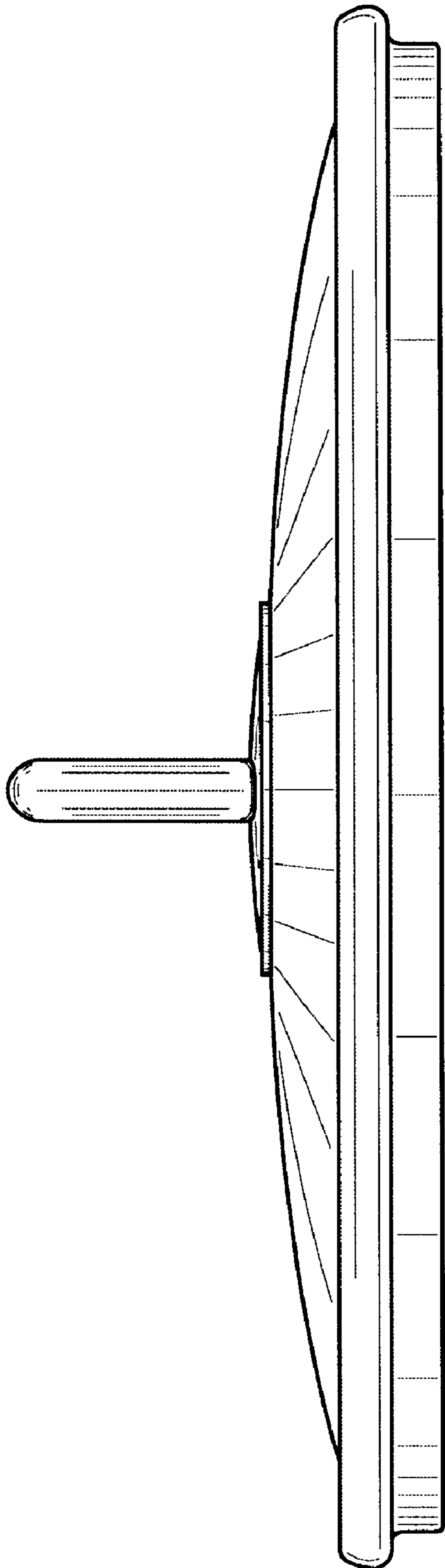
**FIG. 2**



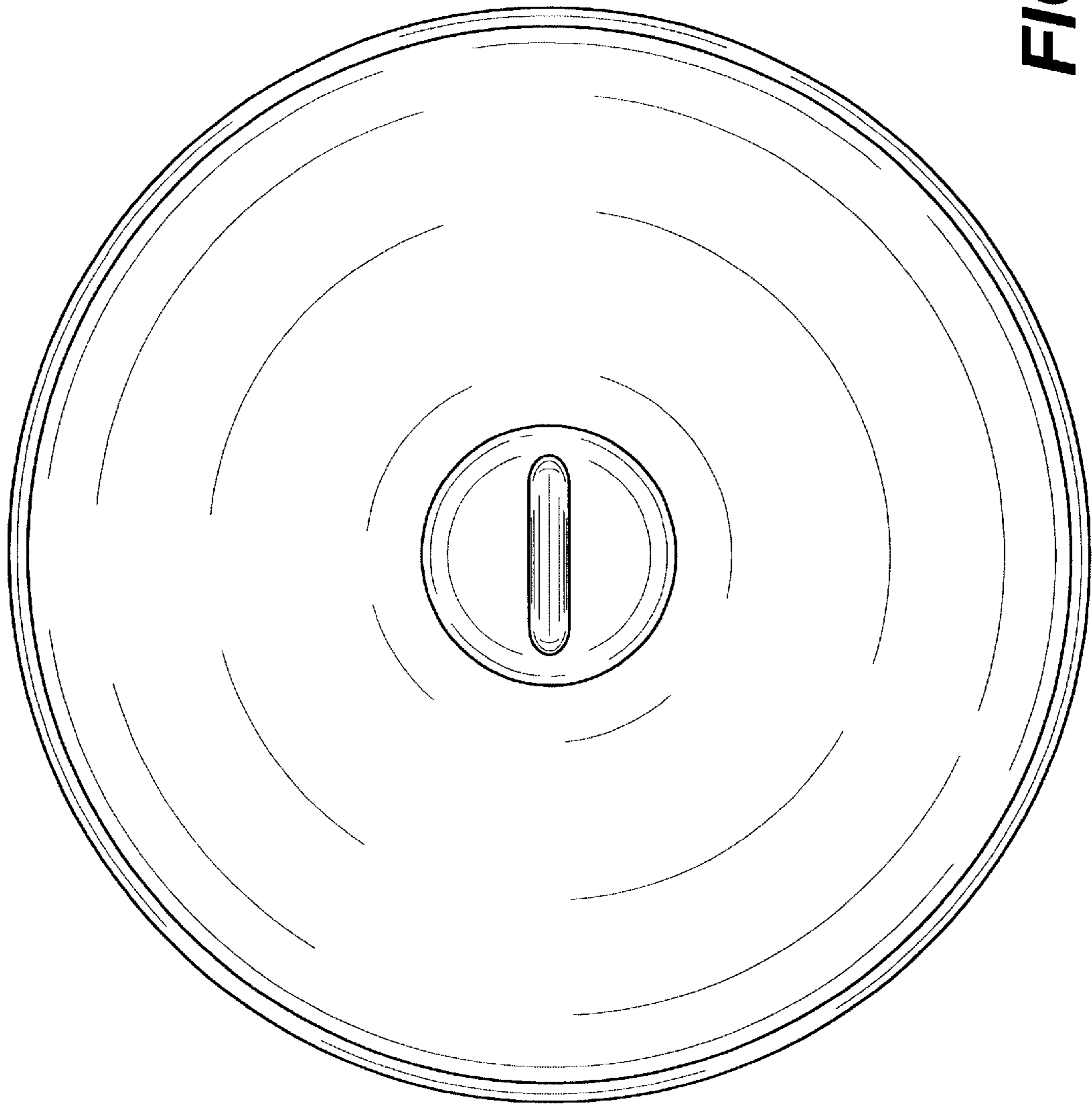
**FIG. 3**



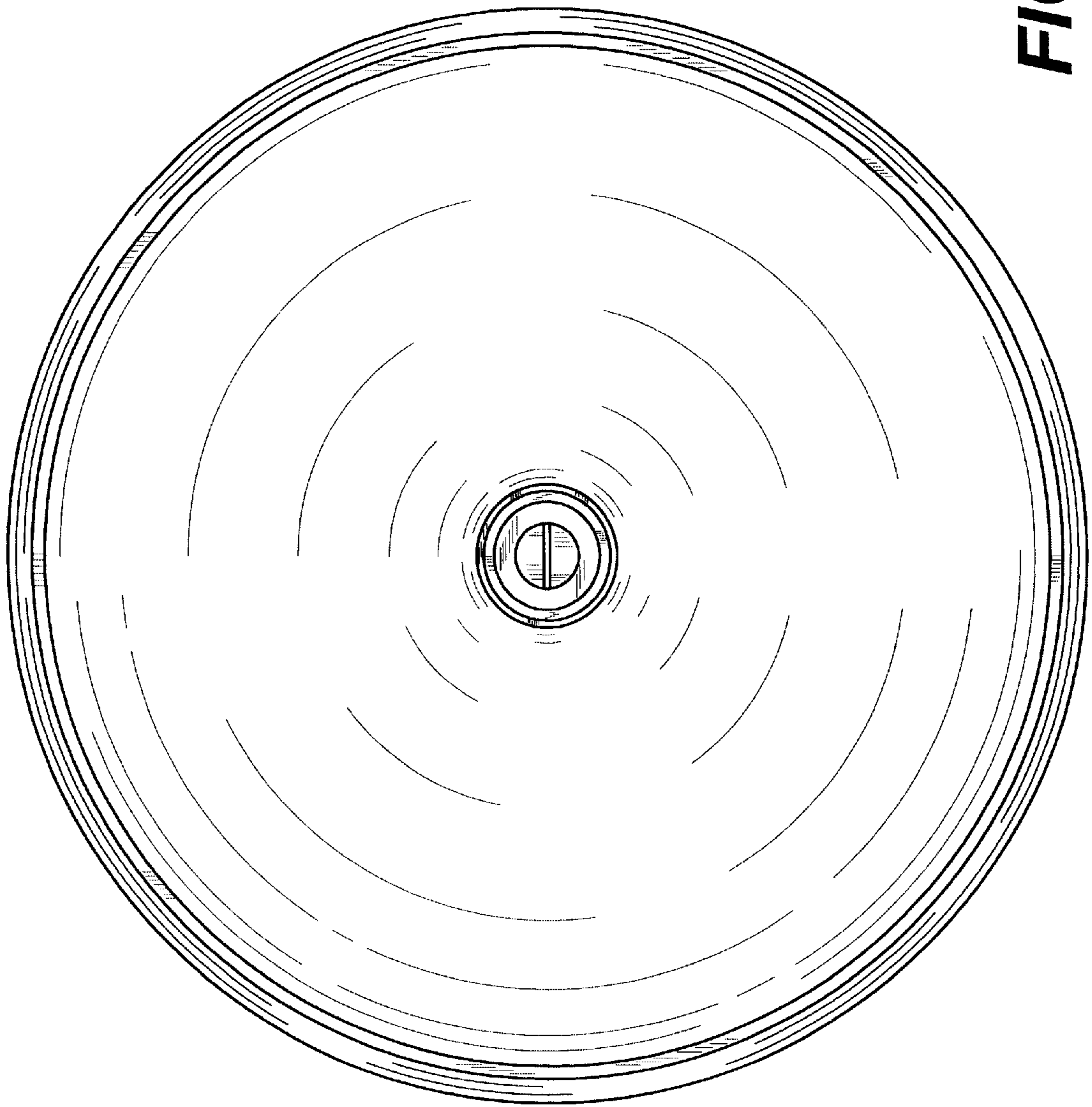
**FIG. 4**



**FIG. 5**



**FIG. 6**



**FIG. 7**