



US00D457388S

(12) **United States Design Patent**
Milroy

(10) **Patent No.:** **US D457,388 S**

(45) **Date of Patent:** **** *May 21, 2002**

(54) **MEDALLION FOR ATTACHMENT TO BEVERAGE CUP LID**

(76) **Inventor:** **Robert M. Milroy**, 11648 Mississippi Dr., Champlin, MN (US) 55316

(*) **Notice:** This patent is subject to a terminal disclaimer.

(**) **Term:** **14 Years**

(21) **Appl. No.:** **29/095,232**

(22) **Filed:** **Oct. 19, 1998**

Related U.S. Application Data

(63) Continuation-in-part of application No. 29/064,684, filed on Jan. 8, 1997, now Pat. No. Des. 406,177.

(51) **LOC (7) Cl.** **07-01**

(52) **U.S. Cl.** **D7/396.2; D7/392.1; D7/213**

(58) **Field of Search** D7/396.1, 396.2, D7/396.3, 387, 392.1, 213; 220/200, 23.83, 716; 222/402.1; 219/735

(56) **References Cited**

U.S. PATENT DOCUMENTS

939,698 A * 11/1909 Jancy 220/716

1,973,449 A * 9/1934 Tighe, Jr. 220/200
4,801,773 A * 1/1989 Hanlon 219/735
D335,424 S * 5/1993 Chang D7/391
D337,481 S * 7/1993 Stromberg D7/396.2
D391,445 S * 3/1998 Toth et al. D7/554.2

* cited by examiner

Primary Examiner—M. N. Pandozzi

(74) *Attorney, Agent, or Firm*—Charles E. Steffey

(57) **CLAIM**

The ornamental design for a medallion for attachment to beverage cup lid, as shown.

DESCRIPTION

FIG. 1 is an environmental perspective view of a medallion for attachment to a beverage cup lid.

FIG. 2 is a top, front, left side perspective view thereof;

FIG. 3 is a front elevation view thereof;

FIG. 4 is a rear elevation view thereof;

FIG. 5 is a left side elevation view thereof, the right side elevation view being essentially a mirror image thereof; and,

FIG. 6 is a top plan view thereof, the bottom plan view being a mirror image thereof.

The broken line showing of a beverage cup and beverage cup lid is for illustrative purposes only and forms no part of the claimed design.

1 Claim, 1 Drawing Sheet

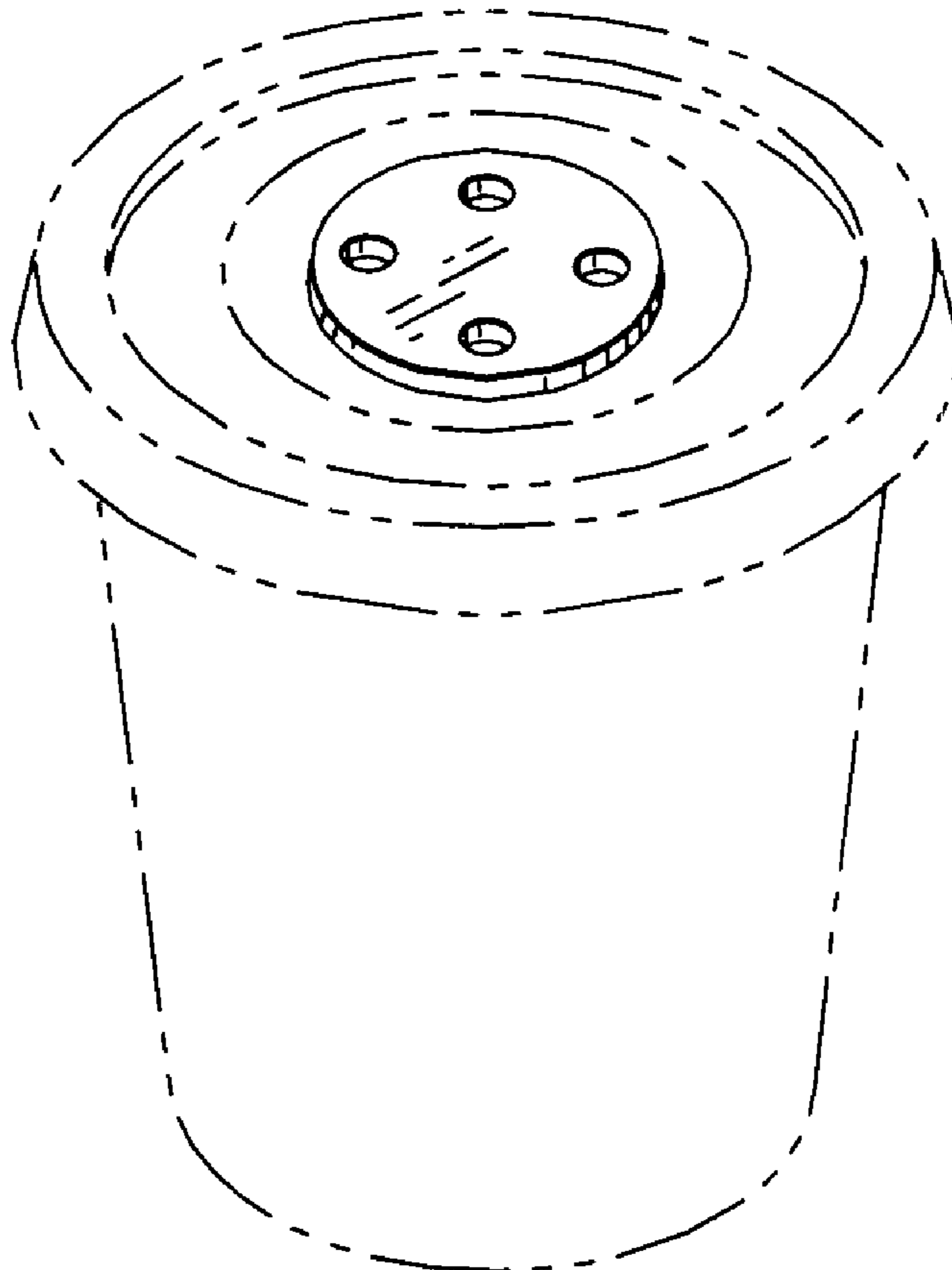


Fig. 1

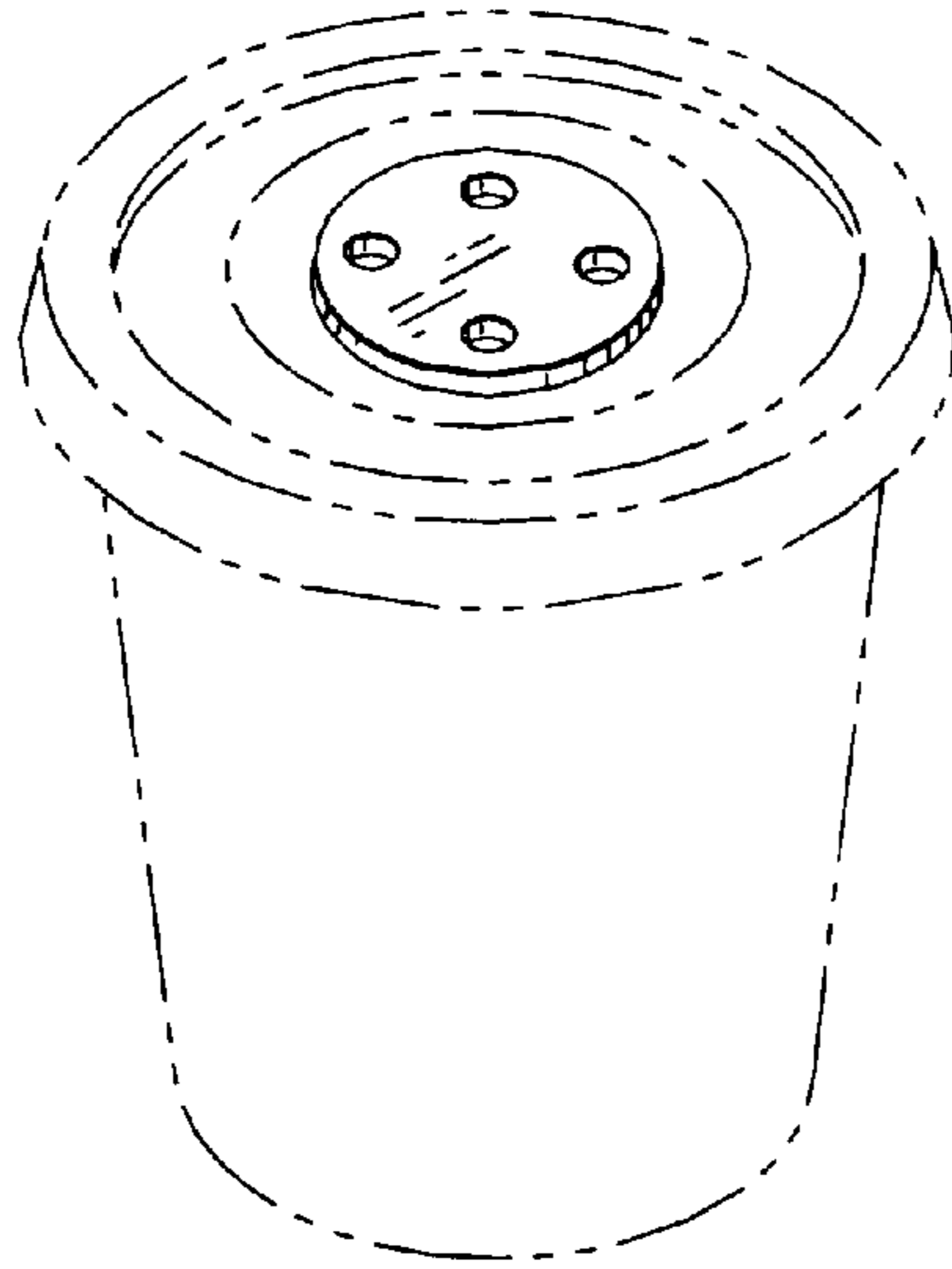


Fig. 2

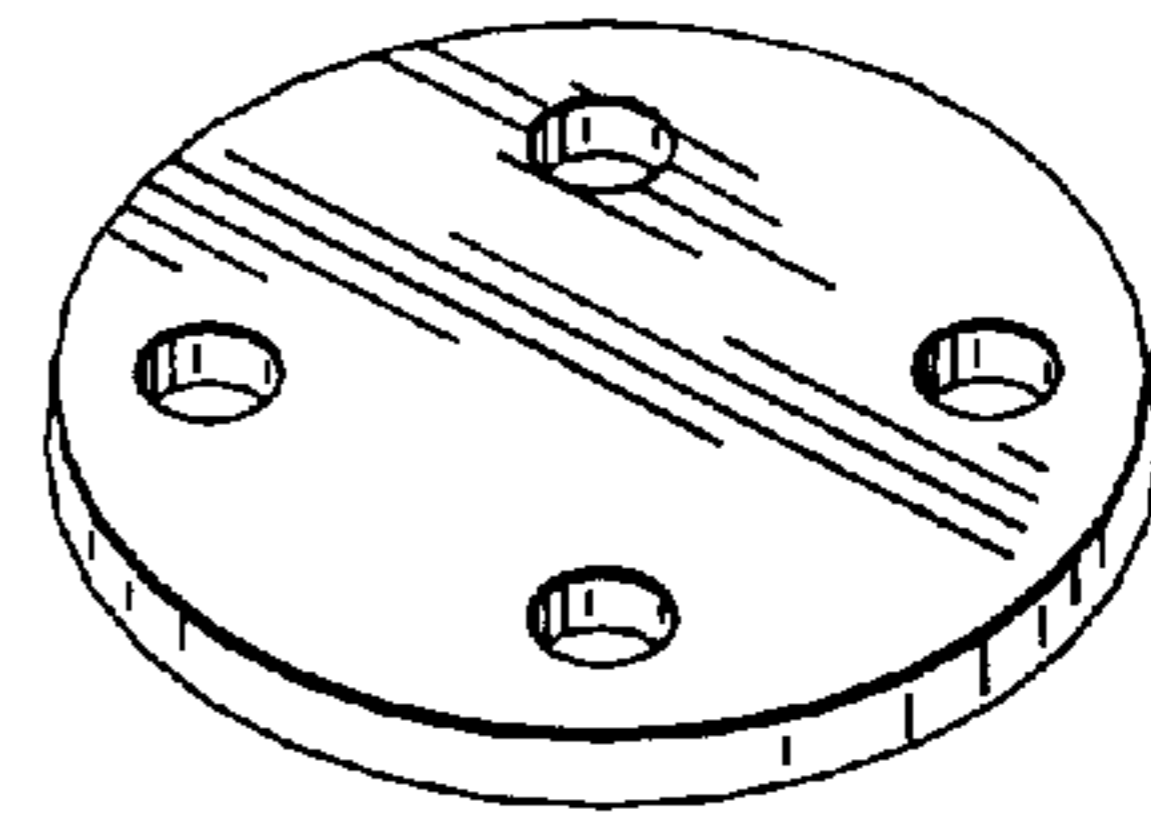


Fig. 3

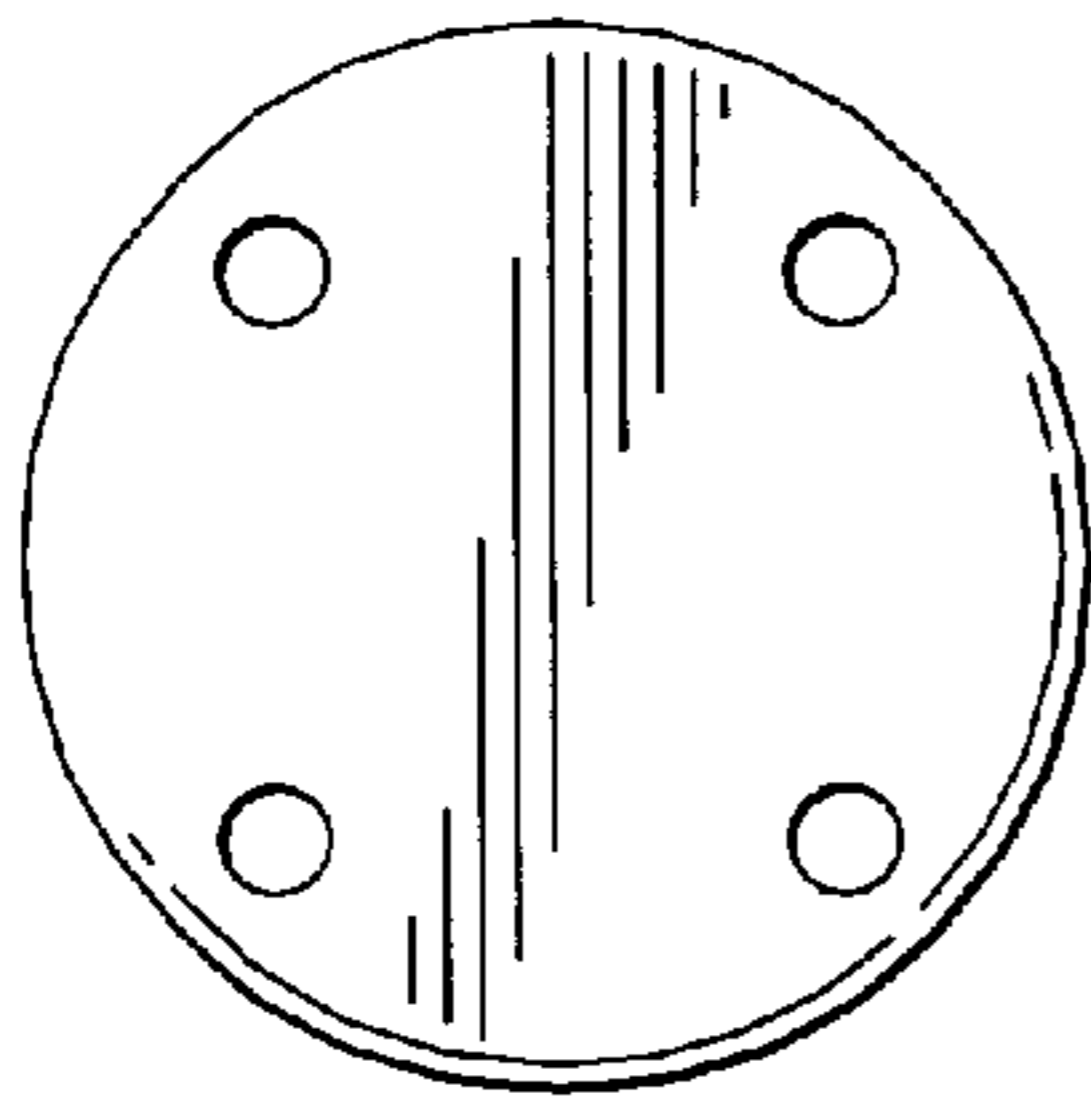


Fig. 4

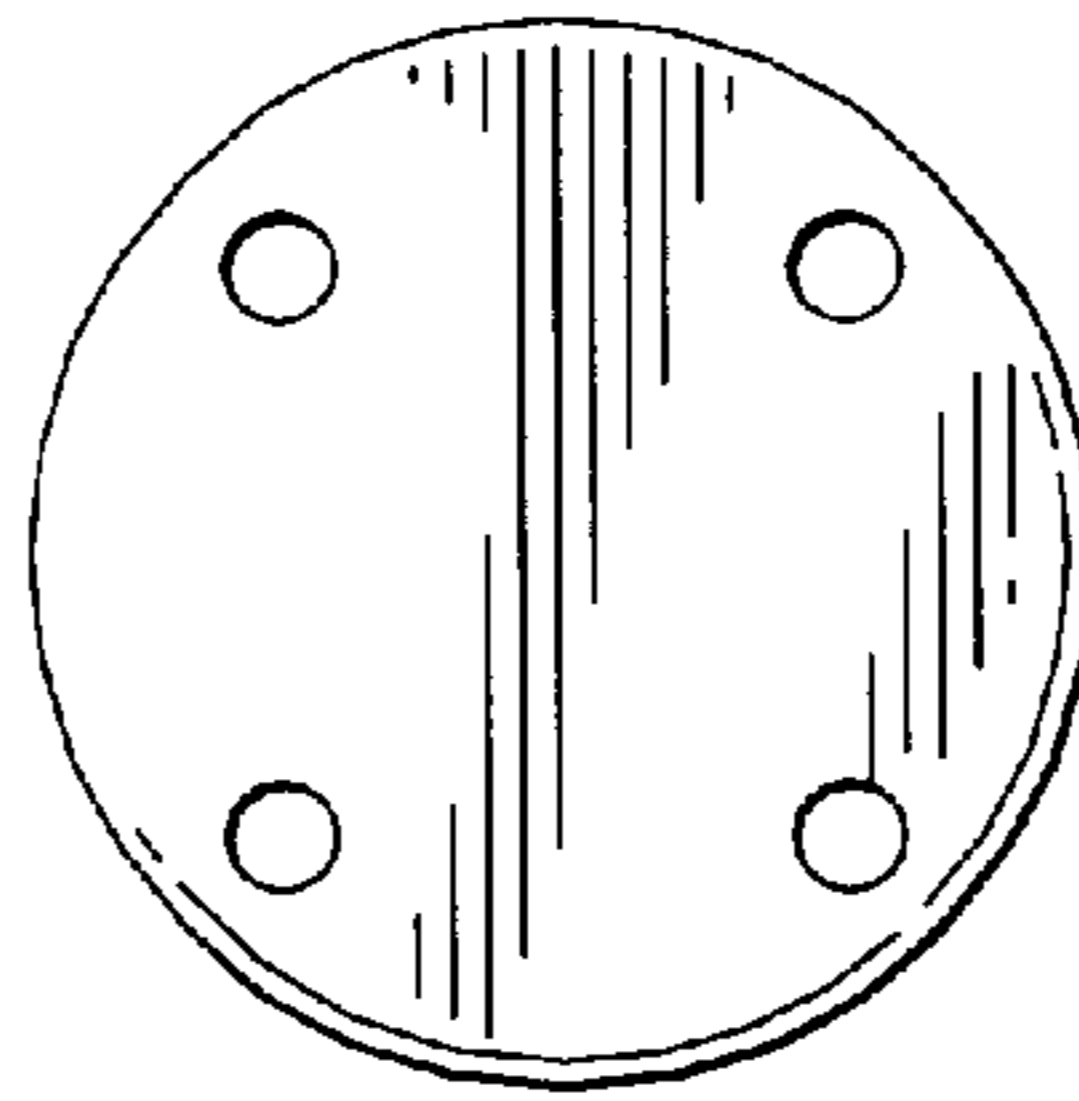


Fig. 5

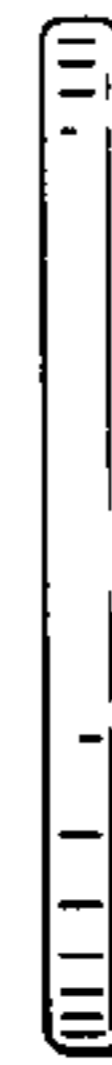


Fig. 6

