



US00D457384S

(12) **United States Design Patent**
Randolph

(10) **Patent No.:** **US D457,384 S**

(45) **Date of Patent:** **** May 21, 2002**

(54) **CUP LID**

(75) **Inventor:** **Ross Steven Randolph**, Rockaway, NJ
(US)

(73) **Assignee:** **Playtex Products, Inc.**, Westport, CT
(US)

(**) **Term:** **14 Years**

(21) **Appl. No.:** **29/145,174**

(22) **Filed:** **Jul. 17, 2001**

(51) **LOC (7) Cl.** **07-99**

(52) **U.S. Cl.** **D7/392.1; D7/396.1**

(58) **Field of Search** D7/392.1, 396.1,
D7/510, 511; D9/445, 447, 449, 450; 220/708,
789, 284; 215/229, 322

(56) **References Cited**

U.S. PATENT DOCUMENTS

5,273,172 A	12/1993	Rossbach et al.	215/229
D366,809 S	2/1996	Green	D7/510
D367,206 S	2/1996	Green	D7/511
D370,828 S	6/1996	Green	D7/510
D371,048 S	6/1996	Green	D7/510
D382,170 S	8/1997	Green	D7/392.1

D394,184 S	*	5/1998	Demore	D7/391
D408,220 S		4/1999	Chomik	D7/510
5,897,013 A		4/1999	Manganiello	220/252
6,050,433 A		4/2000	Russell et al.	215/229
D433,275 S		11/2000	Betras	D7/392.1
D447,004 S	*	8/2001	Green	D7/510
D448,242 S	*	9/2001	McDonough et al.	D7/509

* cited by examiner

Primary Examiner—M. N. Pandozzi

(74) *Attorney, Agent, or Firm*—Ohlandt, Greeley, Ruggiero & Perle, LLP

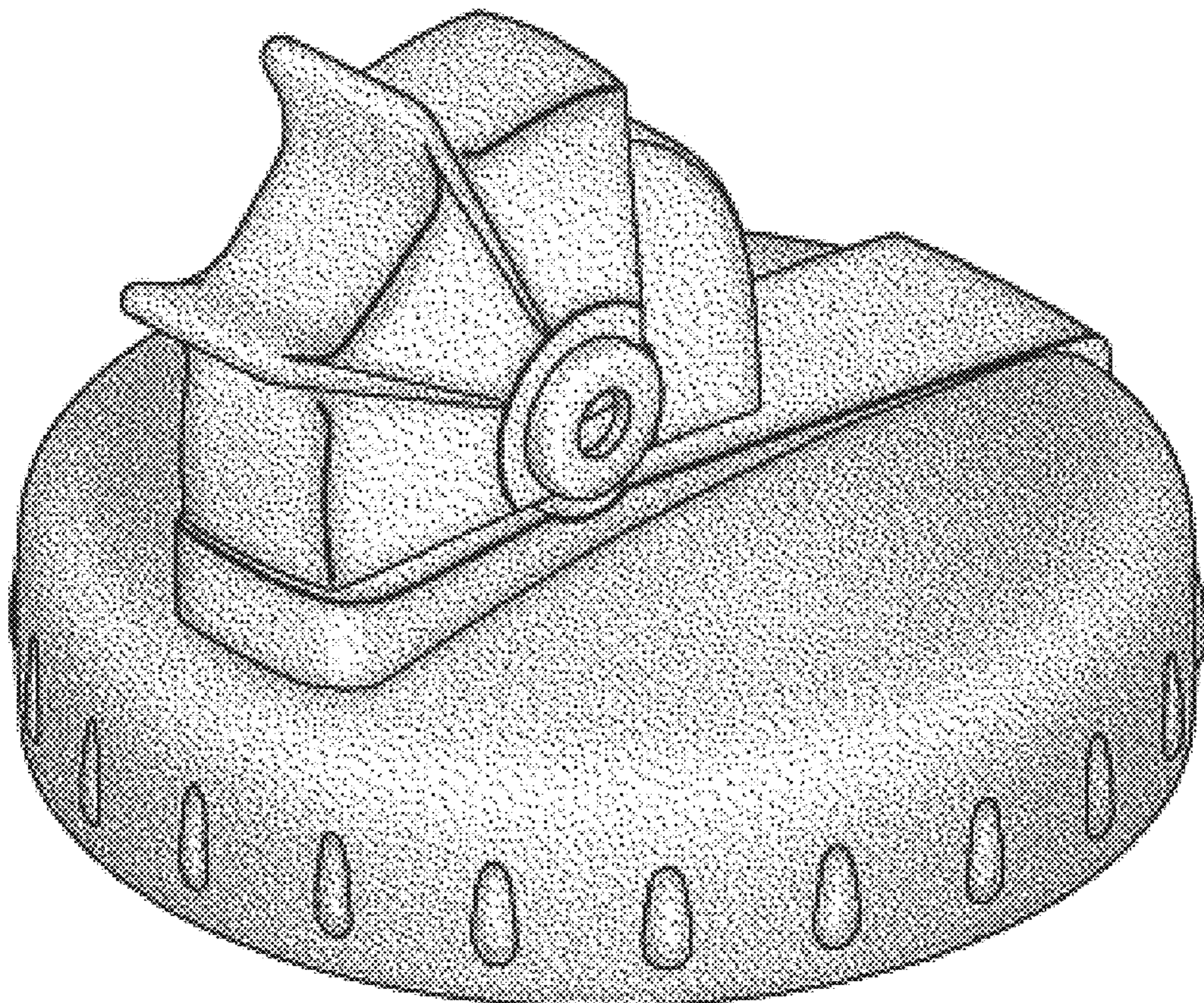
(57) **CLAIM**

The ornamental design for the cup lid, as shown and described in the accompanying figures.

DESCRIPTION

FIG. 1 is a top perspective view of the cup lid according to the present invention;
FIG. 2 is a front elevational view thereof;
FIG. 3 is a rear elevational view thereof;
FIG. 4 is a side elevational view, the opposite side being a mirror image thereof; and,
FIG. 5 is a top view of the cup lid of FIG. 1.

1 Claim, 3 Drawing Sheets



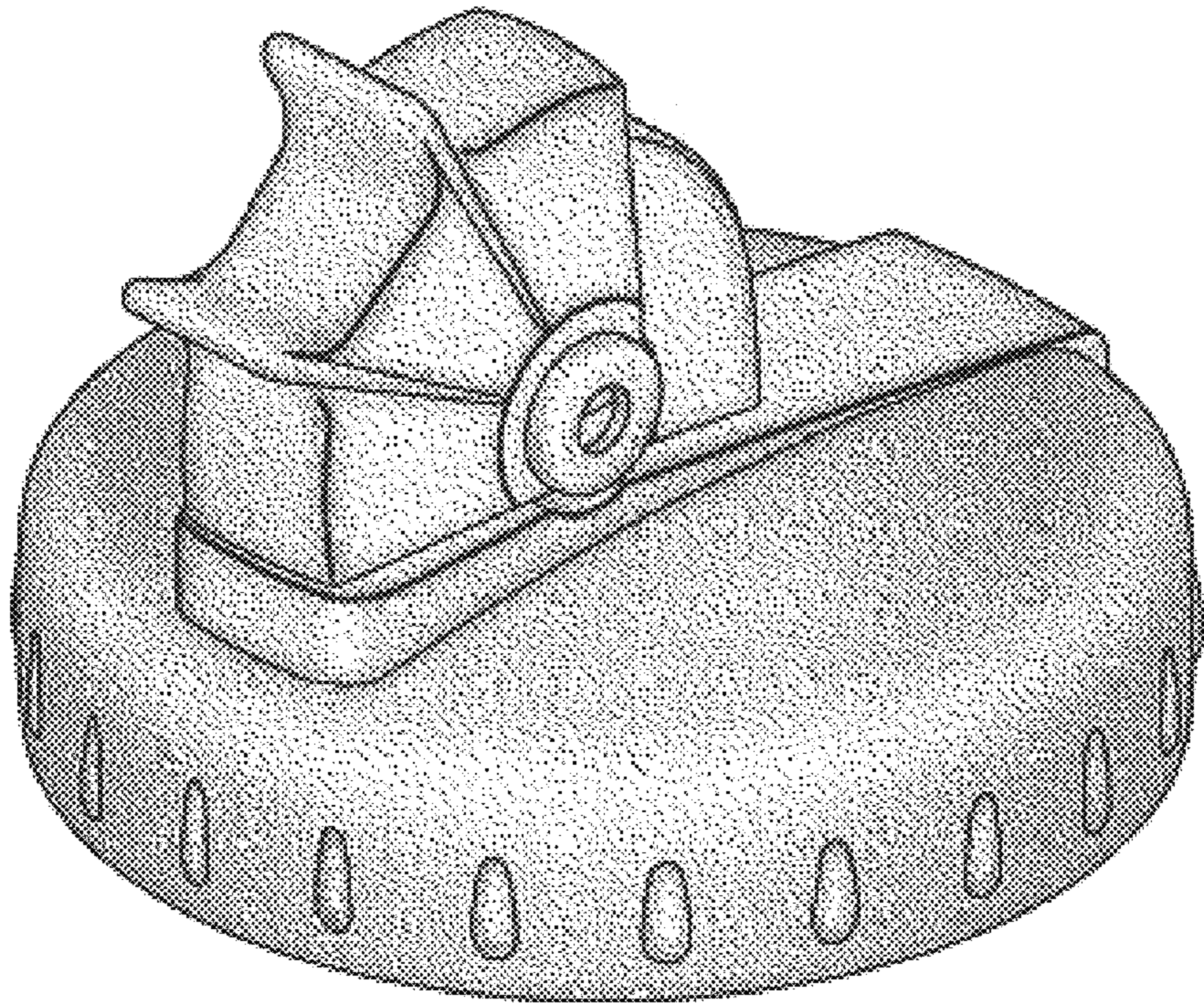


FIG. 1

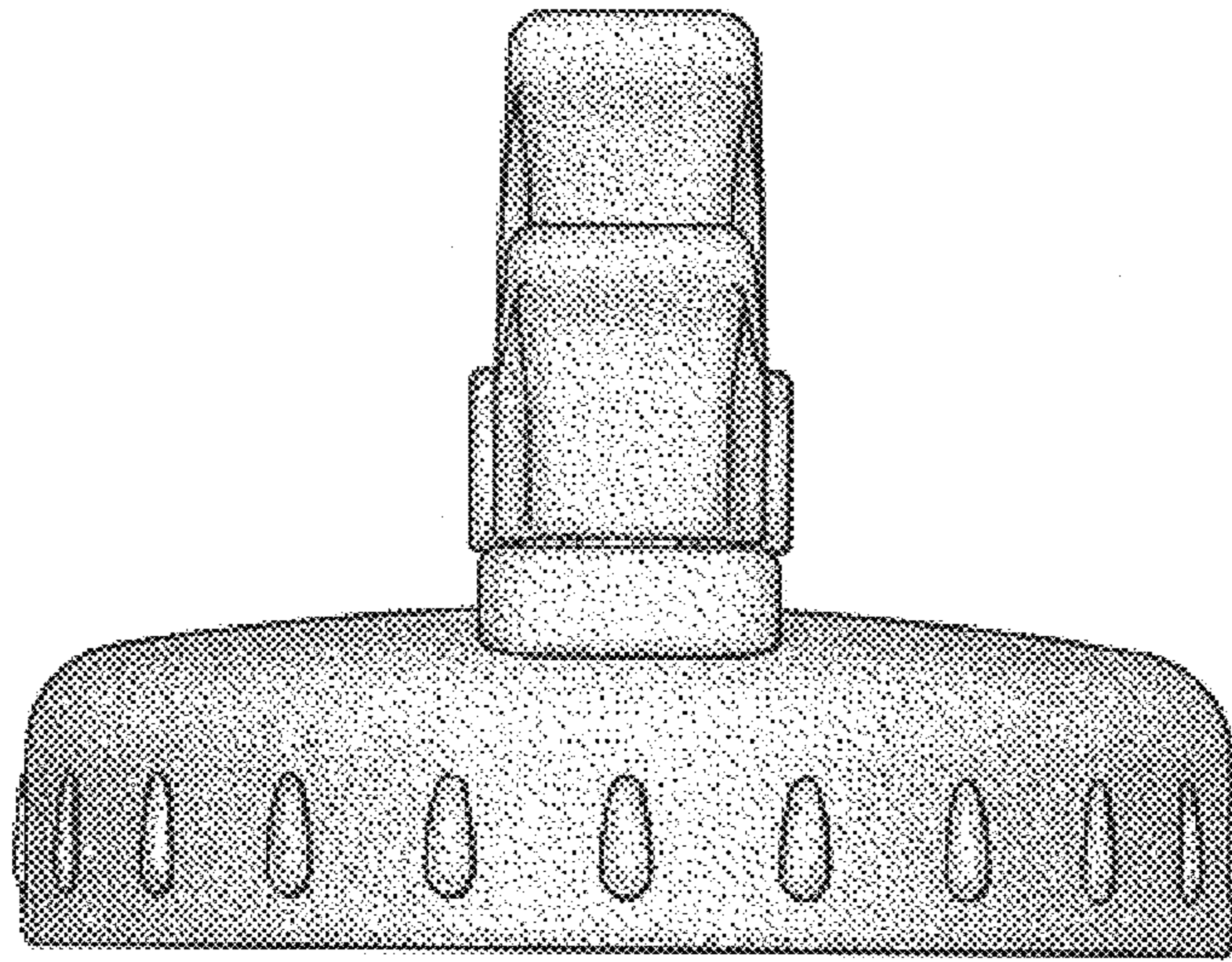


FIG. 2

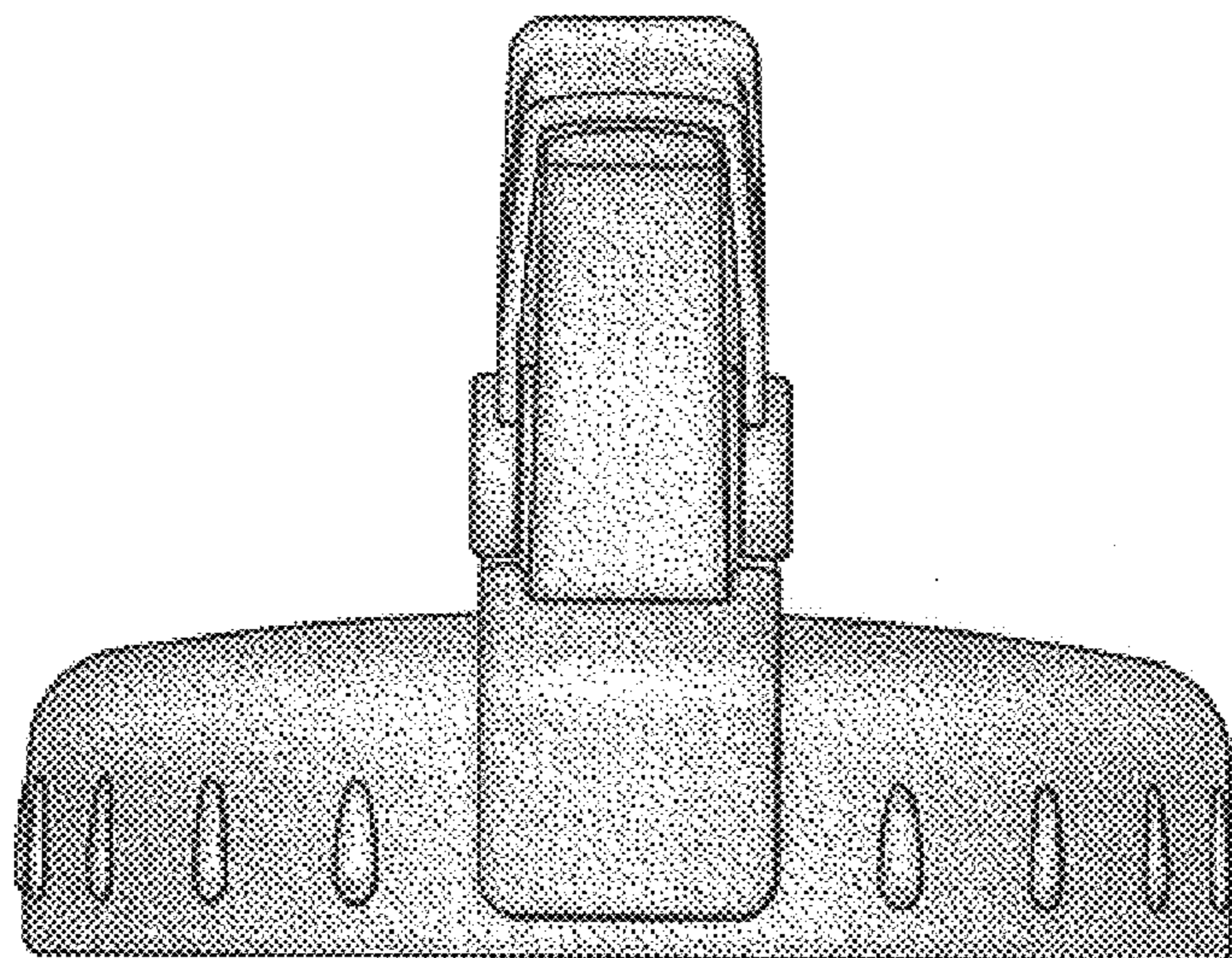


FIG. 3

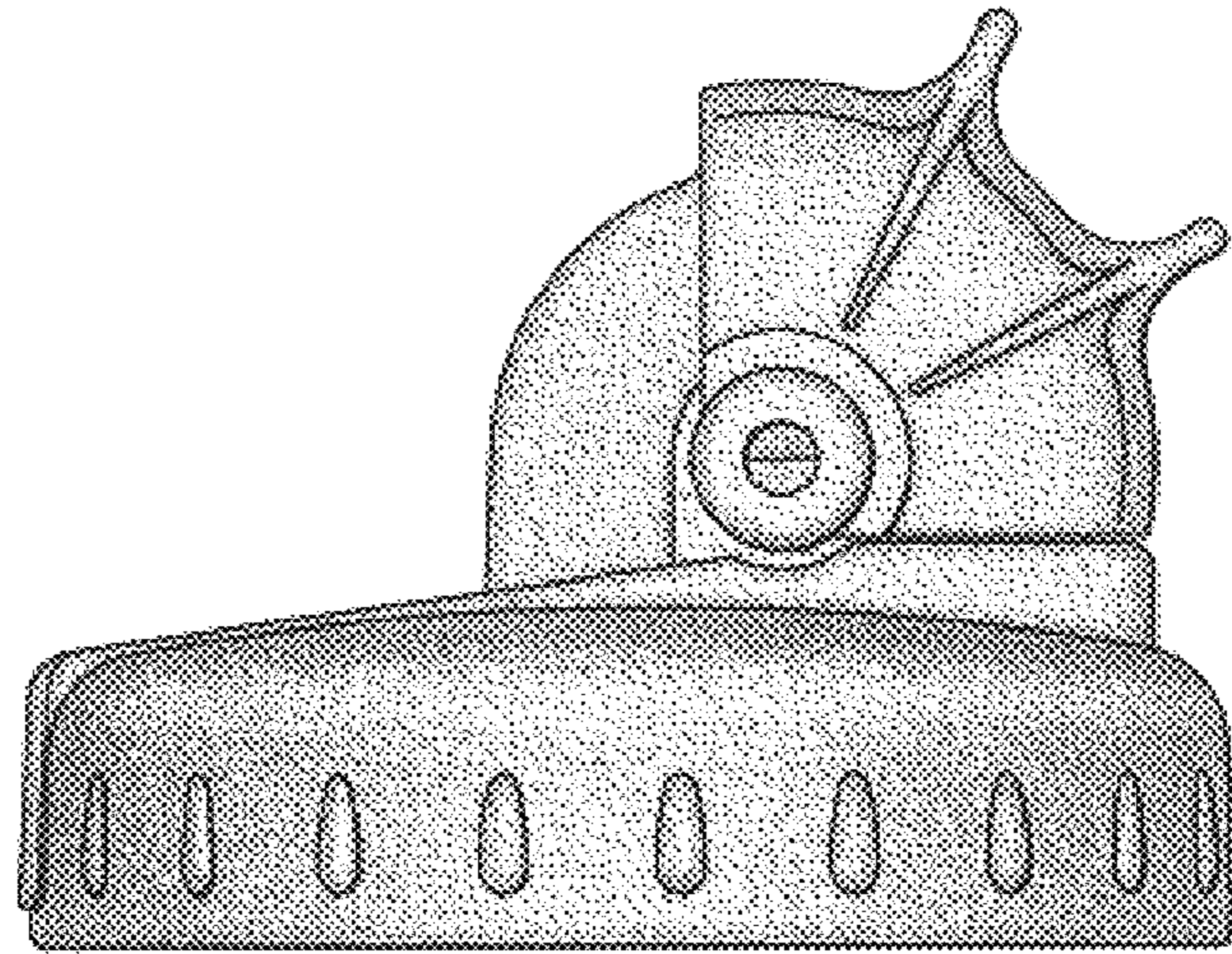


FIG. 4

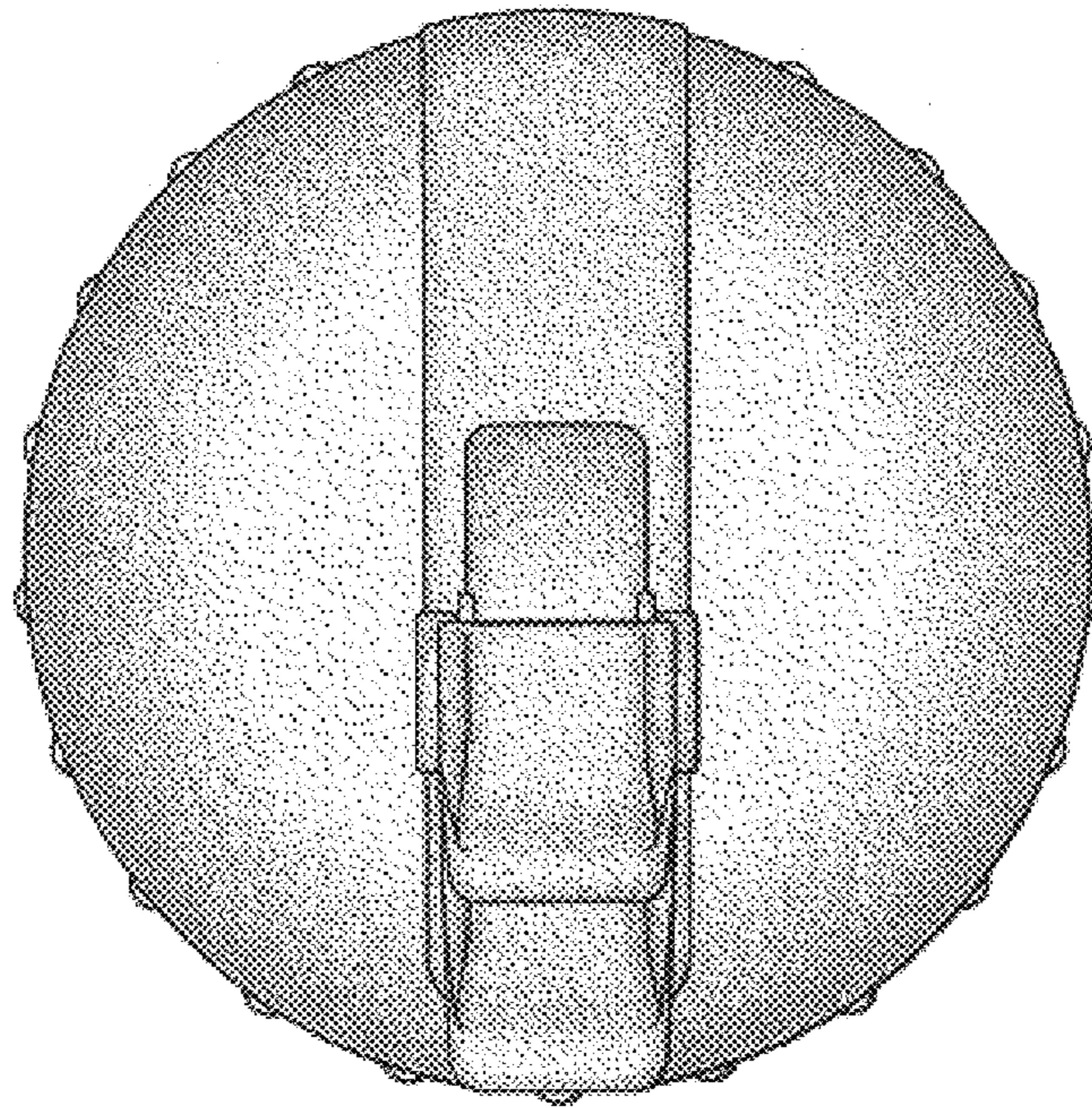


FIG. 5

UNITED STATES PATENT AND TRADEMARK OFFICE
Certificate

Patent No. D 457,384 S

Patented: May 21, 2002

On petition requesting issuance of a certificate for correction of inventorship pursuant to 35 U.S.C. 256, it has been found that the above identified patent, through error and without any deceptive intent, improperly sets forth the inventorship.

Accordingly, it is hereby certified that the correct inventorship of this patent is: Ross Steven Randolph, Rockaway, NJ; and Charles John Renz, Briarcliff Manor, NY.

Signed and Sealed this Fourteenth Day of October 2003.

DORIS V. COLES
Supervisory Patent Examiner
Art Unit 2913