



US00D457382S

(12) **United States Design Patent**  
**Coudurier**

(10) **Patent No.:** **US D457,382 S**

(45) **Date of Patent:** **\*\* May 21, 2002**

(54) **CAP OF A COOKING UTENSIL**

(75) Inventor: **Olivier Coudurier**, Marigny St Marcel (FR)

(73) Assignee: **Tefal S.A.**, Rumilly (FR)

(\*\*) Term: **14 Years**

(21) Appl. No.: **29/139,786**

(22) Filed: **Apr. 6, 2001**

(30) **Foreign Application Priority Data**

Oct. 6, 2000 (FR) ..... 00 5820

(51) **LOC (7) Cl.** ..... **07-02**

(52) **U.S. Cl.** ..... **D7/391; D7/393**

(58) **Field of Search** ..... D7/391-395, 354-361;  
16/431, 110.1, 433; 220/752, 753; D8/300,  
307, 310

(56) **References Cited**

**U.S. PATENT DOCUMENTS**

D306,960 S \* 4/1990 Dricken et al. .... D7/393

5,584,414 A \* 12/1996 Neubeck ..... 16/431

5,771,783 A \* 6/1998 Uss ..... 16/433

D414,651 S \* 10/1999 Brunianyn ..... D7/391

\* cited by examiner

*Primary Examiner*—Terry A. Wallace

(74) *Attorney, Agent, or Firm*—Young & Thompson

(57) **CLAIM**

The ornamental design for a cap of a cooking utensil, as shown and described.

**DESCRIPTION**

FIG. 1 is a top and side perspective view of a cap for a cooking utensil showing my new design;

FIG. 2 is a side elevational view thereof, the side opposite that shown in FIG. 2 being the mirror image thereof;

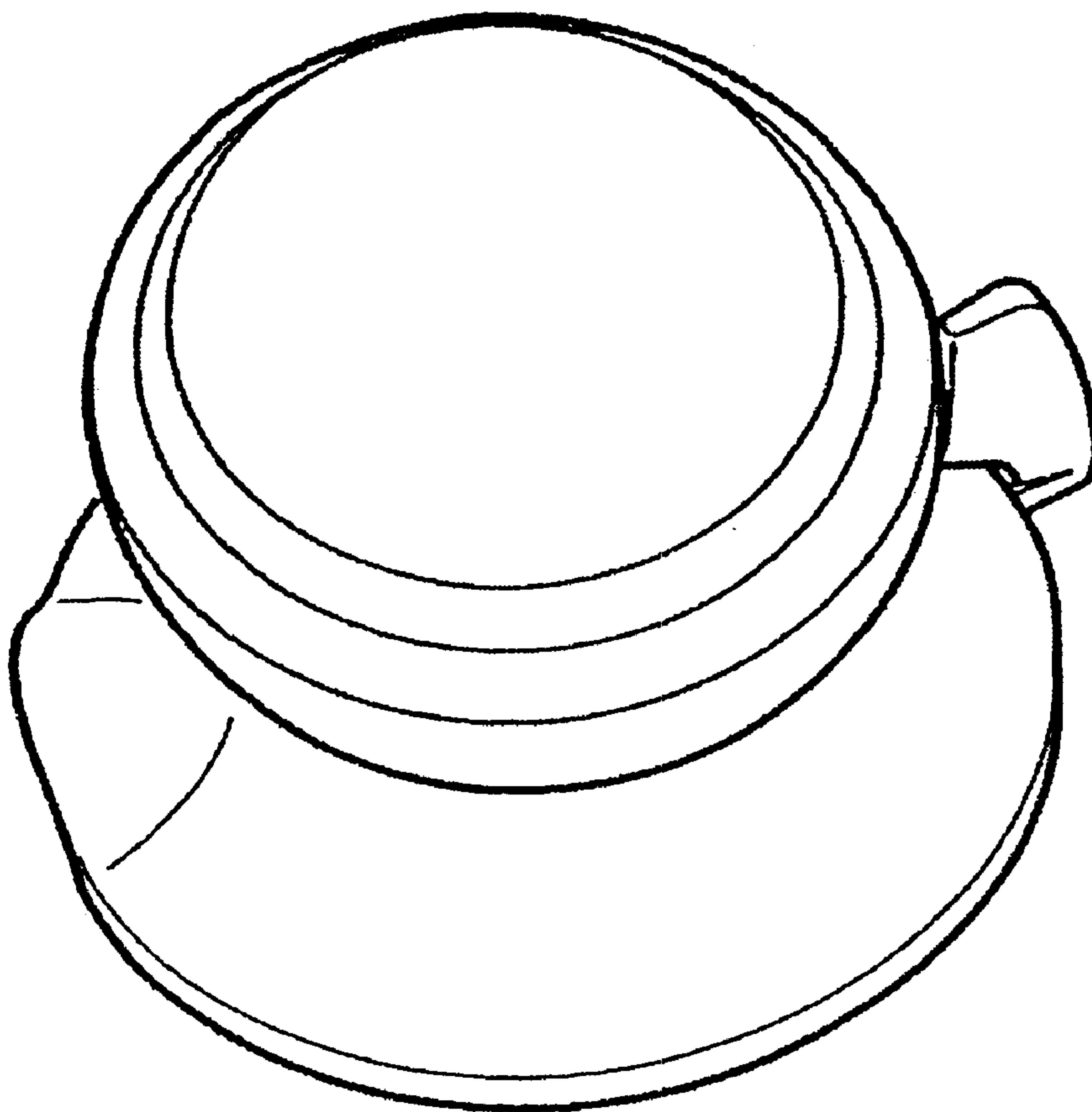
FIG. 3 is a side elevational view thereof taken from the left of FIG. 2;

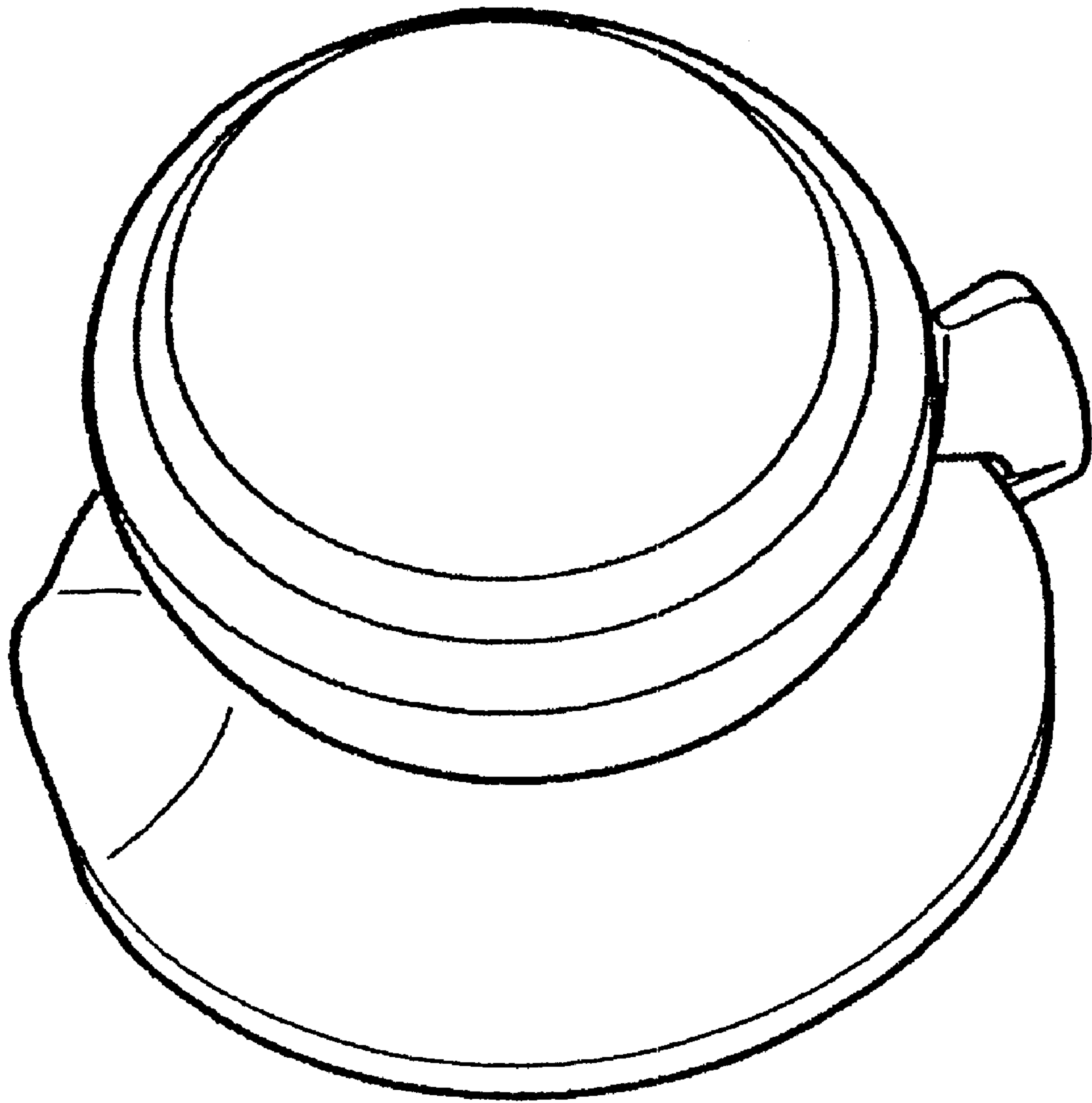
FIG. 4 is a side elevational view thereof from the right of FIG. 2;

FIG. 5 is a top plan view thereof; and,

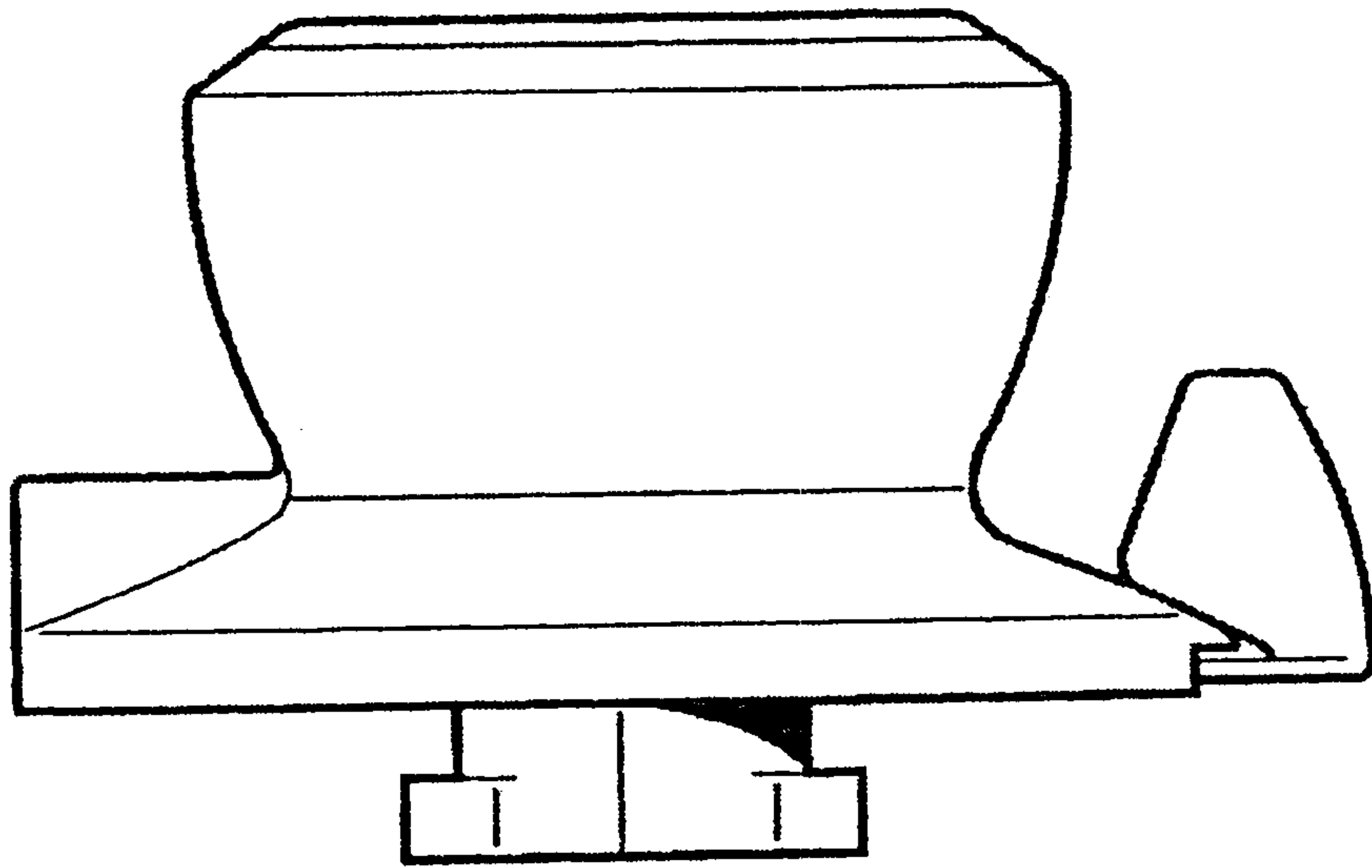
FIG. 6 is a bottom plan view thereof.

**1 Claim, 6 Drawing Sheets**

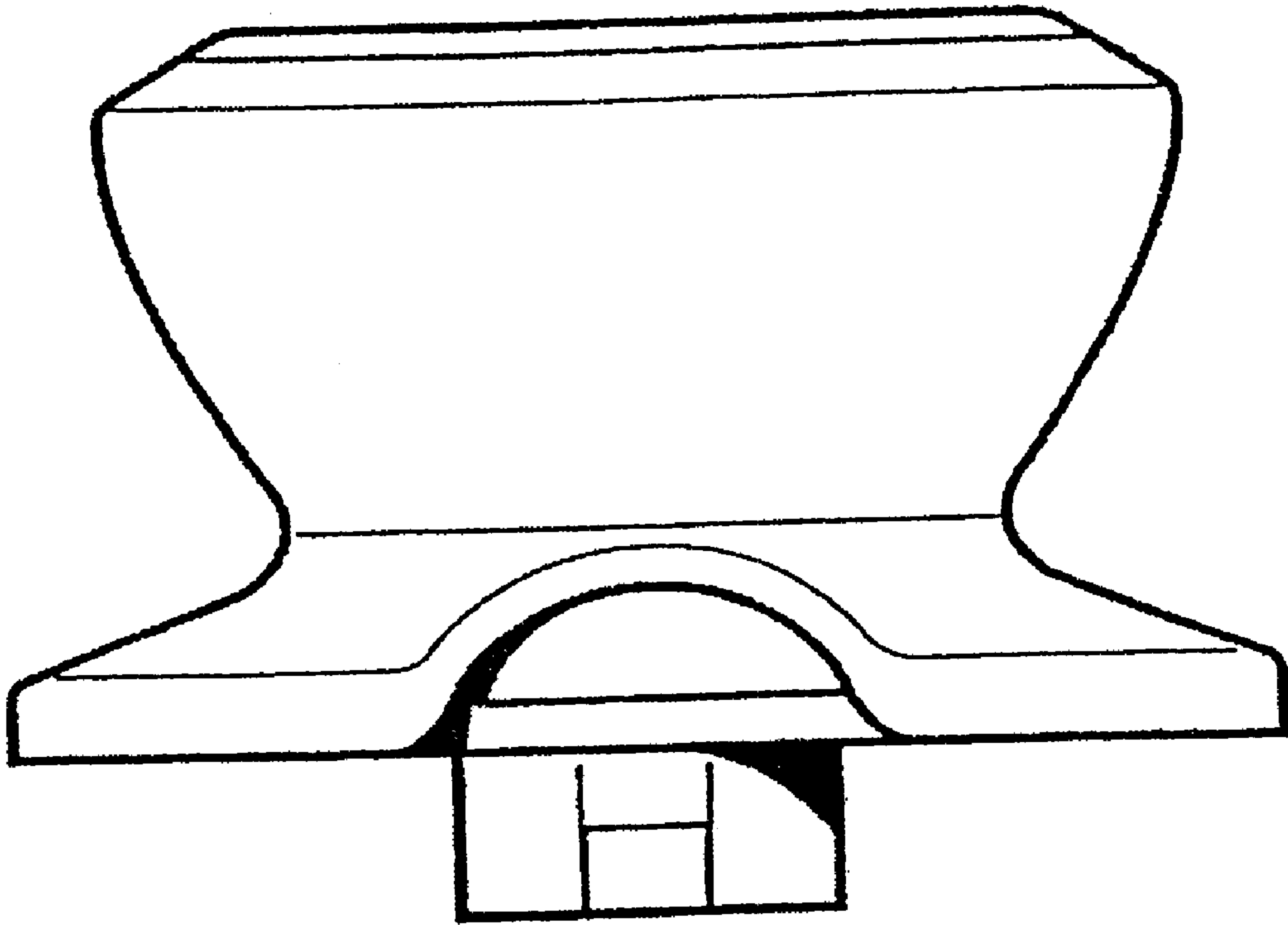




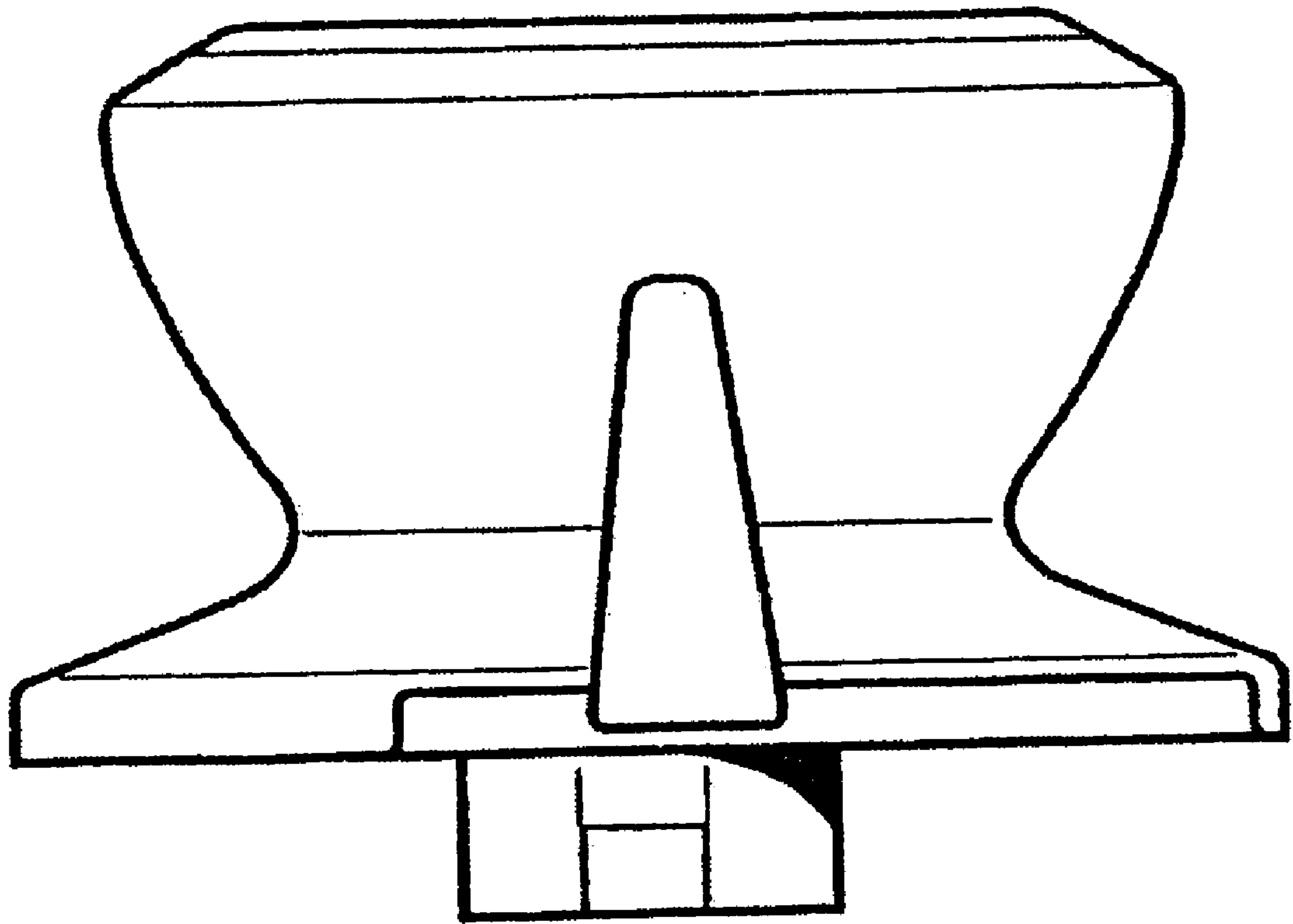
**Fig. 1**



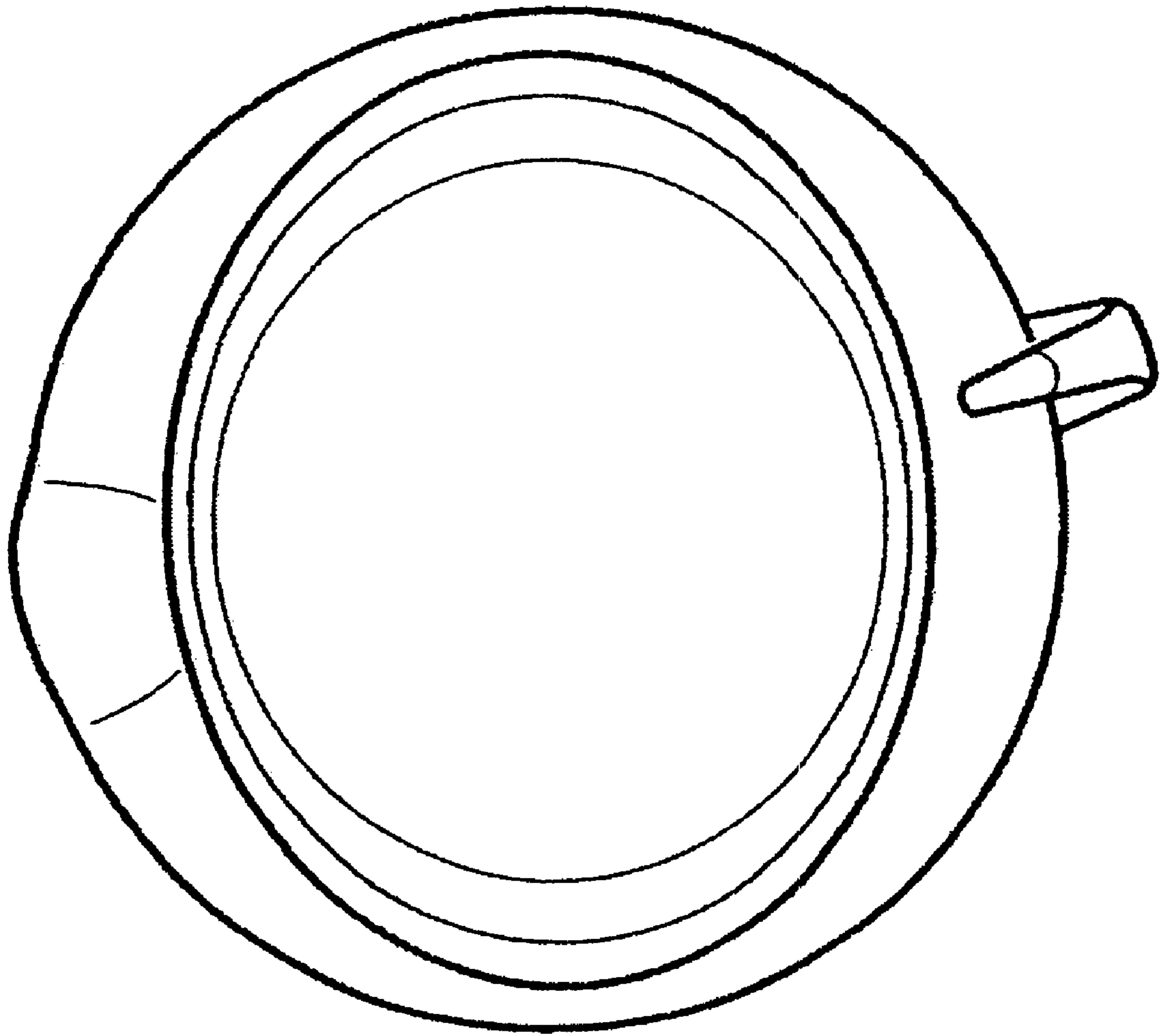
**Fig. 2**



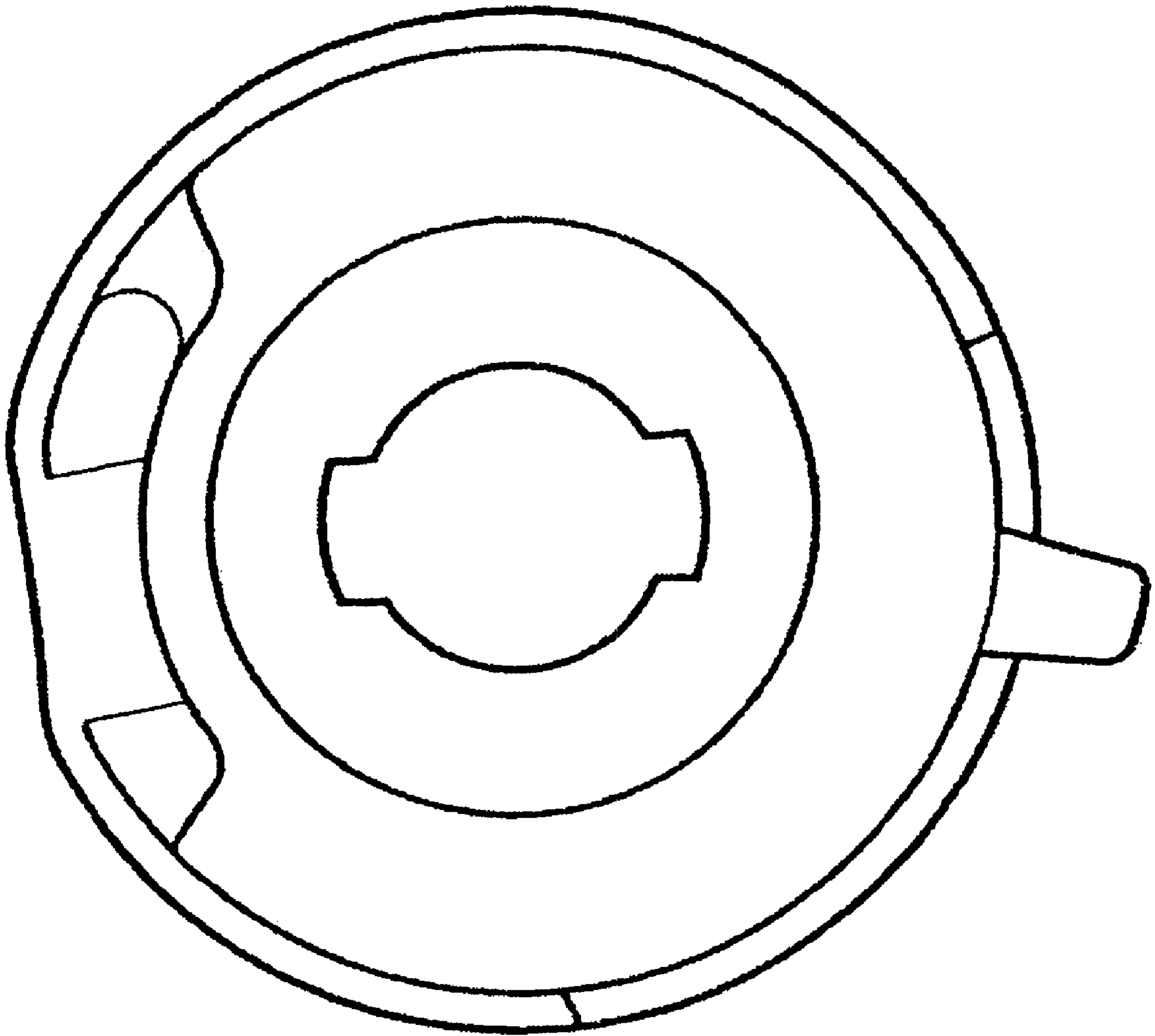
**Fig. 3**



**Fig. 4**



**Fig. 5**



**Fig. 6**