



US00D457381S

(12) **United States Design Patent**
Brady

(10) **Patent No.:** **US D457,381 S**

(45) **Date of Patent:** **** May 21, 2002**

(54) **FOOD PROCESSOR**

(75) Inventor: **Martin Brady**, Chesterfield, VA (US)

(73) Assignee: **Hamilton Beach/Proctor-Silex, Inc.**,
Glen Allen, VA (US)

(**) Term: **14 Years**

(21) Appl. No.: **29/129,431**

(22) Filed: **Sep. 13, 2000**

(51) **LOC (7) Cl.** **31-00**

(52) **U.S. Cl.** **D7/384**

(58) **Field of Search** D7/376-386, 412-414;
99/509-512; 241/33, 101.01, 185.5, 285.2

(56) **References Cited**

U.S. PATENT DOCUMENTS

D261,718 S	11/1981	Harrison	D7/384
4,396,159 A	8/1983	Podell		
D290,676 S	7/1987	Stutzer et al.	D7/384
4,691,870 A	9/1987	Fukunaga et al.		
4,700,901 A	10/1987	McClean		
D293,873 S	1/1988	Maass	D7/384
4,799,626 A	1/1989	Hickel et al.		
5,071,077 A	12/1991	Arroubi et al.		
D325,322 S	4/1992	Maass	D7/384
5,222,430 A	6/1993	Wang	99/512

(List continued on next page.)

OTHER PUBLICATIONS

Food Processor Instruction Manual Cover sheet and p. 4 and 8, published by Hamilton Beach/Proctor-Silex, Inc. for a food processor on sale within one year prior to filing date for the instant application.

Catalog sheet for Hamilton Beach food processor model 70700 on sale before Sep. 13, 1999, front and back faces.

Copending application No. 29/129,380 filed Sep. 13, 2001.

Primary Examiner—Caron D. Veynar

(74) *Attorney, Agent, or Firm*—Roger S. Dybvig

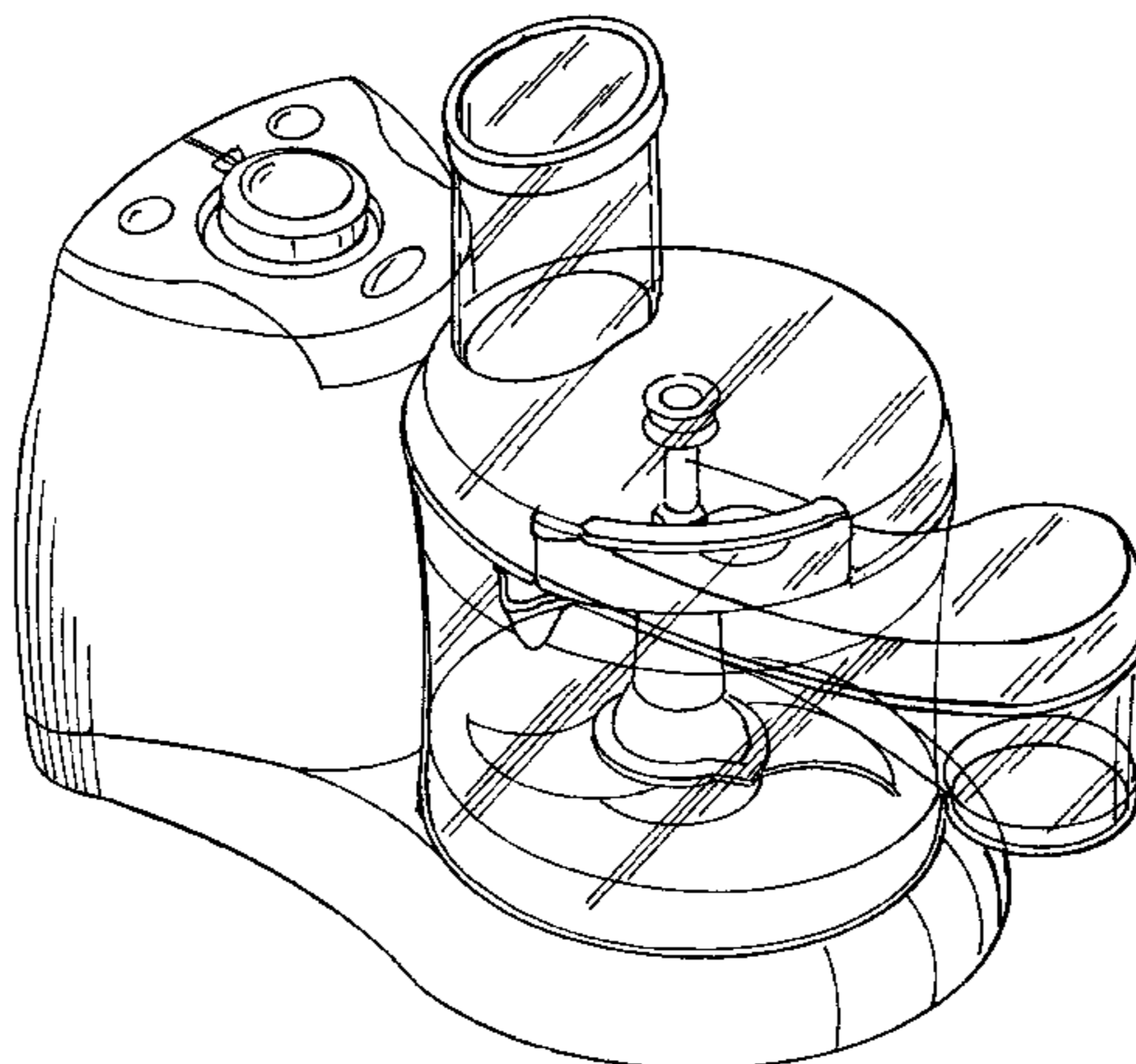
(57) **CLAIM**

The ornamental design for a food processor, as shown and described.

DESCRIPTION

FIG. 1 is a perspective view as seen from the top and front of a food processor showing my new design;
 FIG. 2 is a bottom plan view thereof;
 FIG. 3 is a top plan view thereof;
 FIG. 4 is a left side elevational view thereof;
 FIG. 5 is a right side elevational view thereof;
 FIG. 6 is a rear elevational view thereof;
 FIG. 7 is a front elevational view thereof;
 FIG. 8 is a right side elevational view of the container shown separately for ease of illustration;
 FIG. 9 is a left side elevational view of the container thereof;
 FIG. 10 is a front elevational view of the container thereof;
 FIG. 11 is a rear elevational view of the container thereof;
 FIG. 12 is a top plan view of the container thereof;
 FIG. 13 is a bottom plan view of the container thereof;
 FIG. 14 is a perspective view of the container thereof;
 FIG. 15 is a perspective view of the lid shown separately for ease of illustration;
 FIG. 16 is a top plan view of the lid thereof;
 FIG. 17 is a bottom plan view of the lid thereof;
 FIG. 18 is a rear elevational view of the lid thereof;
 FIG. 19 is a front elevational view of the lid thereof;
 FIG. 20 is a right side elevational view of the lid thereof;
 FIG. 21 is a left side elevational view of the lid thereof;
 FIG. 22 is a perspective view of the base unit shown separately for ease of illustration;
 FIG. 23 is a bottom plan view of the base unit thereof;
 FIG. 24 is a top plan view of the base unit thereof;
 FIG. 25 is a left side elevational view of the base unit thereof;
 FIG. 26 is a right side elevational view of the base unit thereof;
 FIG. 27 is a front elevational view of the base unit thereof;
 and,
 FIG. 28 is a rear elevational view of the base unit thereof.

1 Claim, 21 Drawing Sheets



US D457,381 S

Page 2

U.S. PATENT DOCUMENTS

D337,918 S	8/1993	Littmann	D7/386	D385,150 S	10/1997	Leverrier	D7/386
D345,078 S	3/1994	Gotzsch	D7/384	D385,151 S	10/1997	Leverrier	D7/386
D345,079 S	3/1994	Johnson	D7/384	D392,150 S	3/1998	Tanaka et al.	D7/384
D366,984 S	2/1996	Hsu	D7/376	5,921,485 A	7/1999	Plavcan et al.	
D373,049 S *	8/1996	le Rouzic	D7/413	D419,367 S	1/2000	Kin	D7/384
D373,703 S	9/1996	Frisell	D7/384	D434,271 S	11/2000	Naft et al.	D7/384
D380,343 S	7/1997	Rorke	D7/384	D439,105 S	3/2001	Naft et al.	D7/386
D383,644 S	9/1997	Feil	D7/413				

* cited by examiner

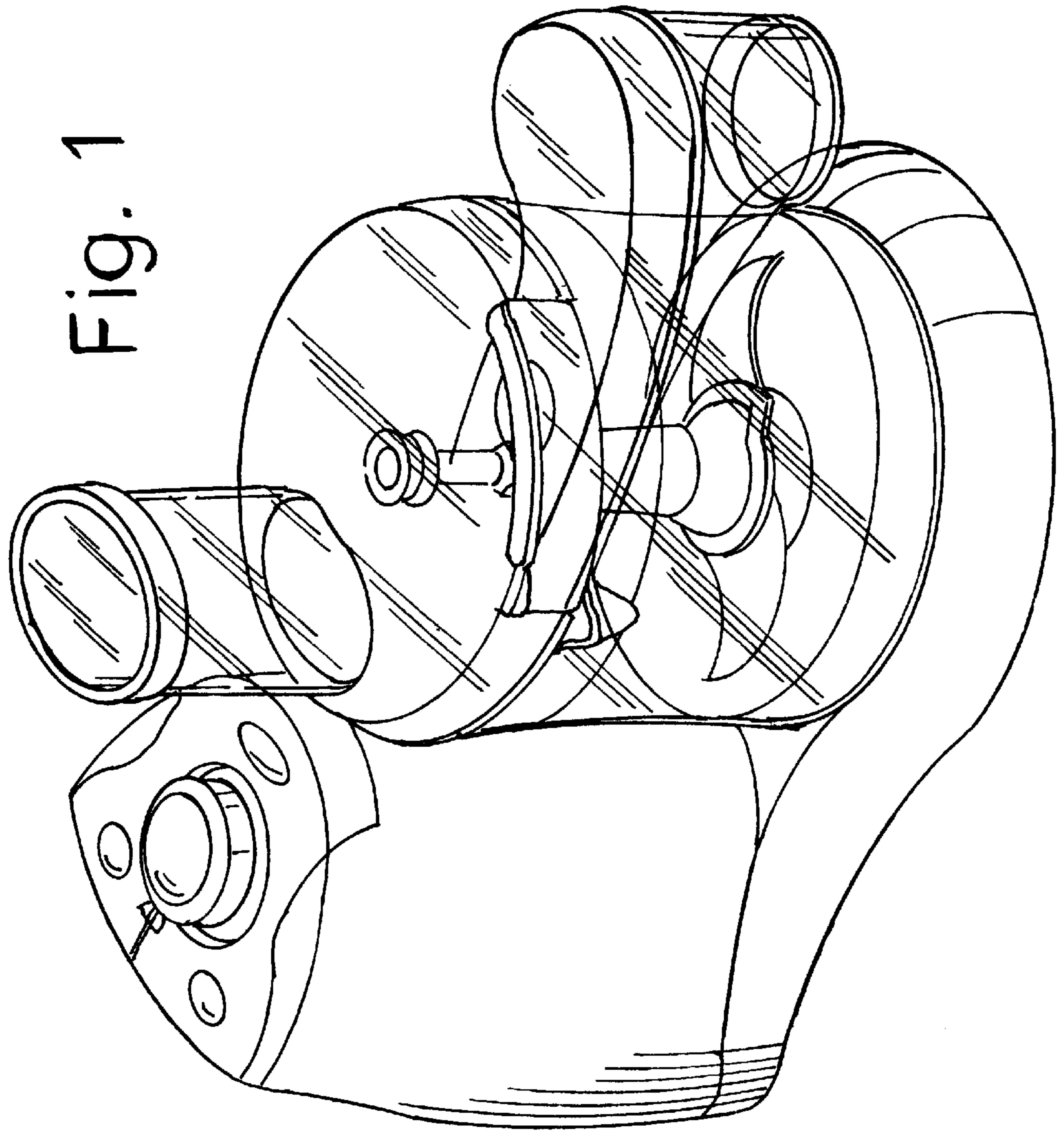


Fig. 1

Fig. 2

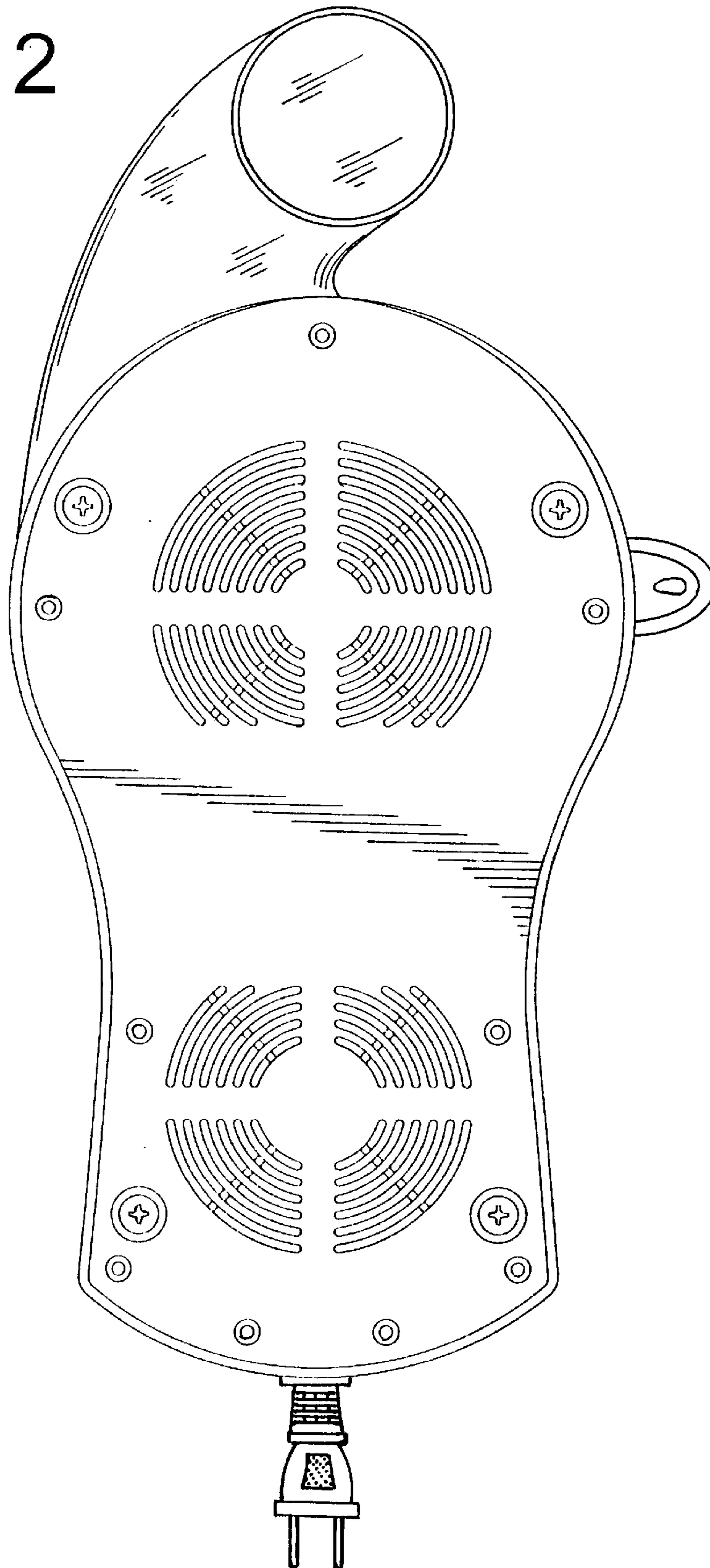
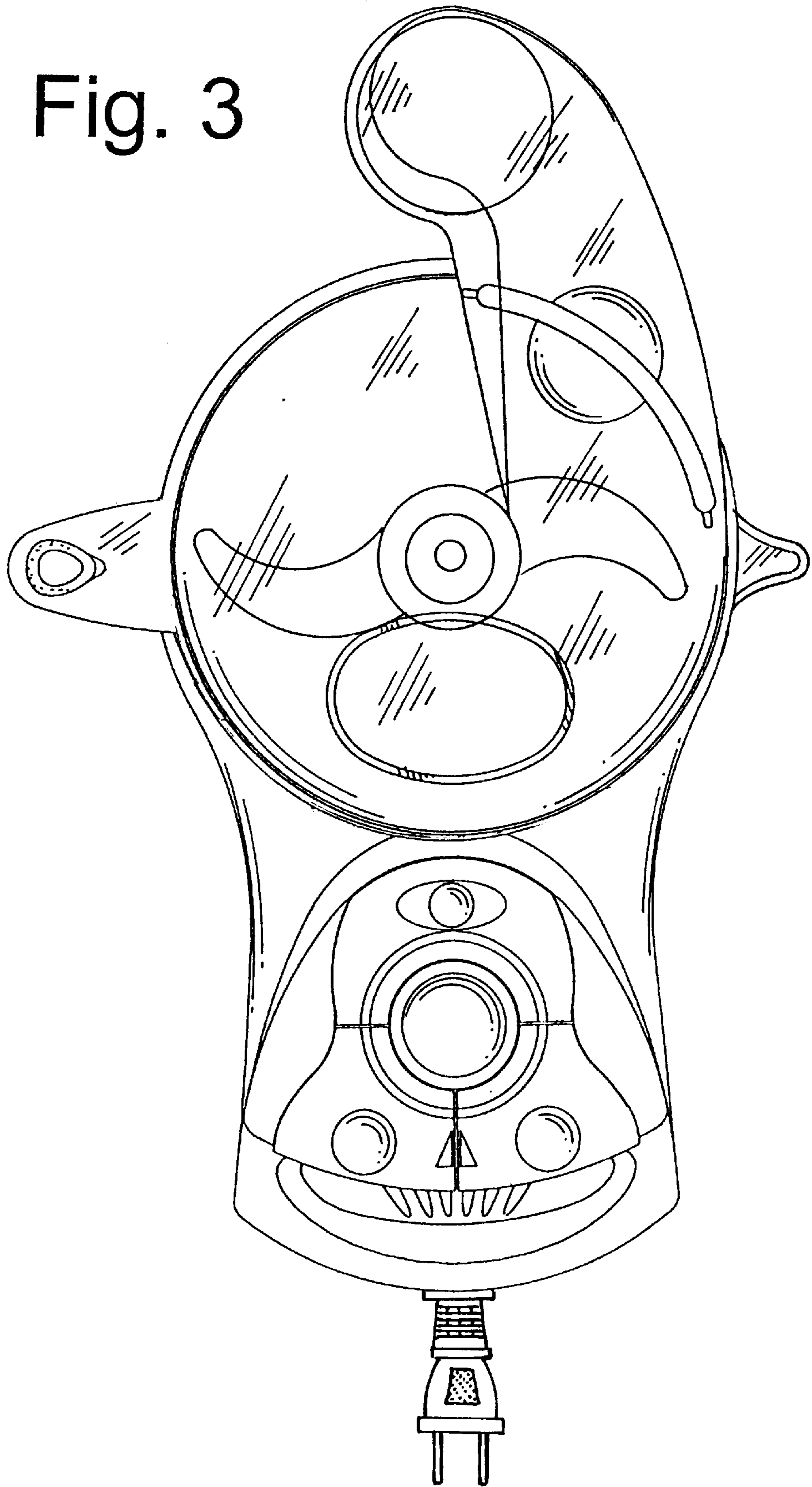


Fig. 3



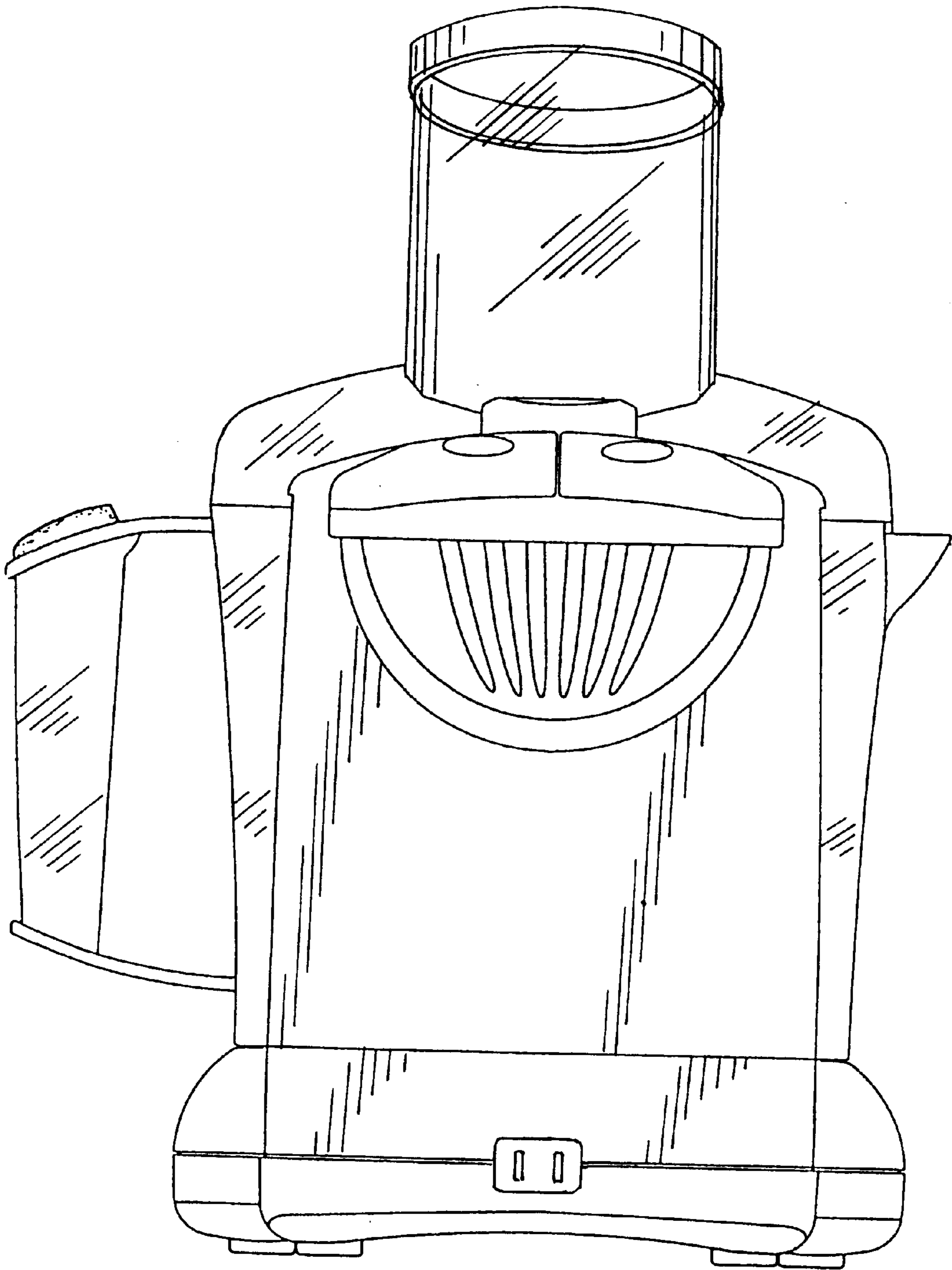


Fig. 4

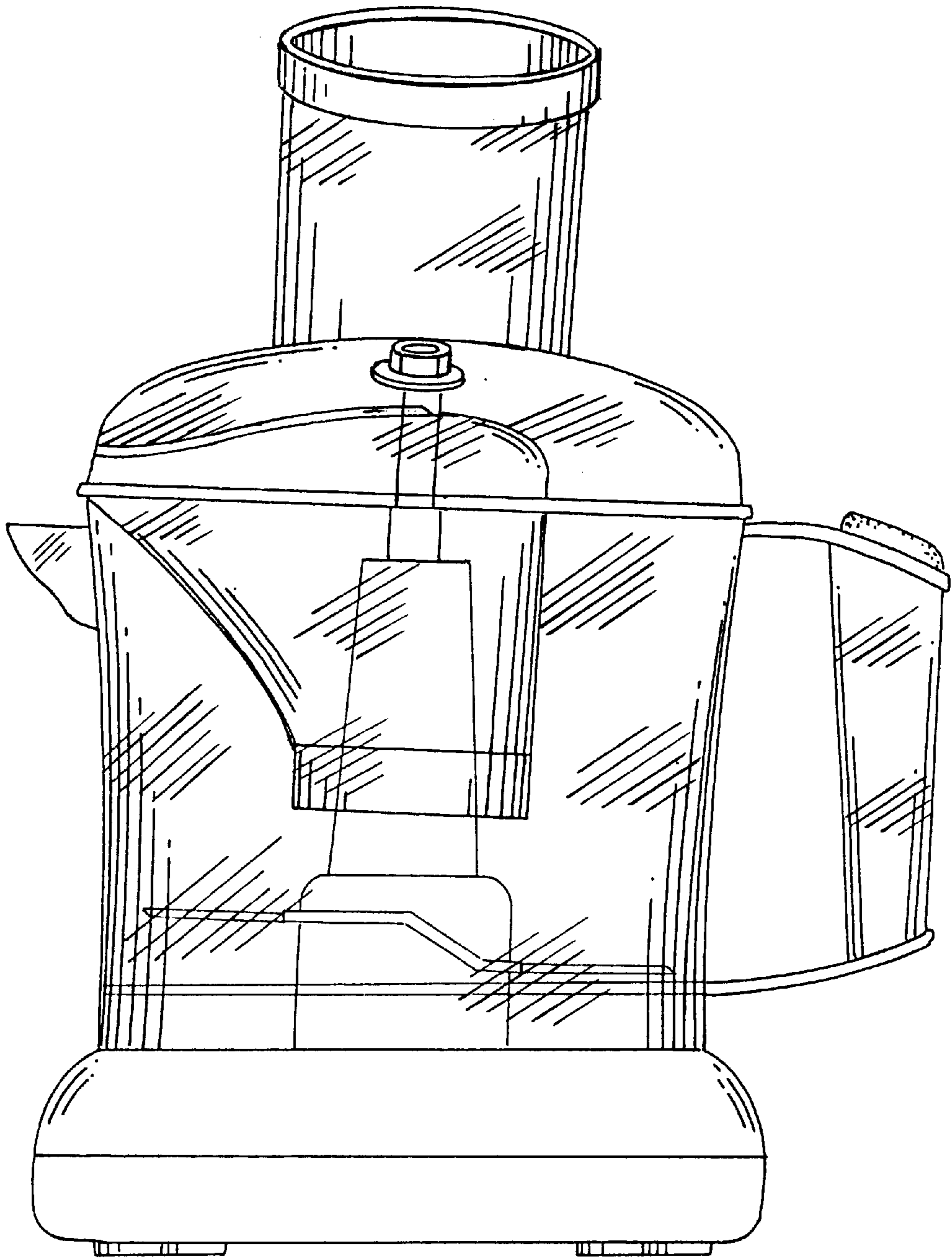


Fig. 5

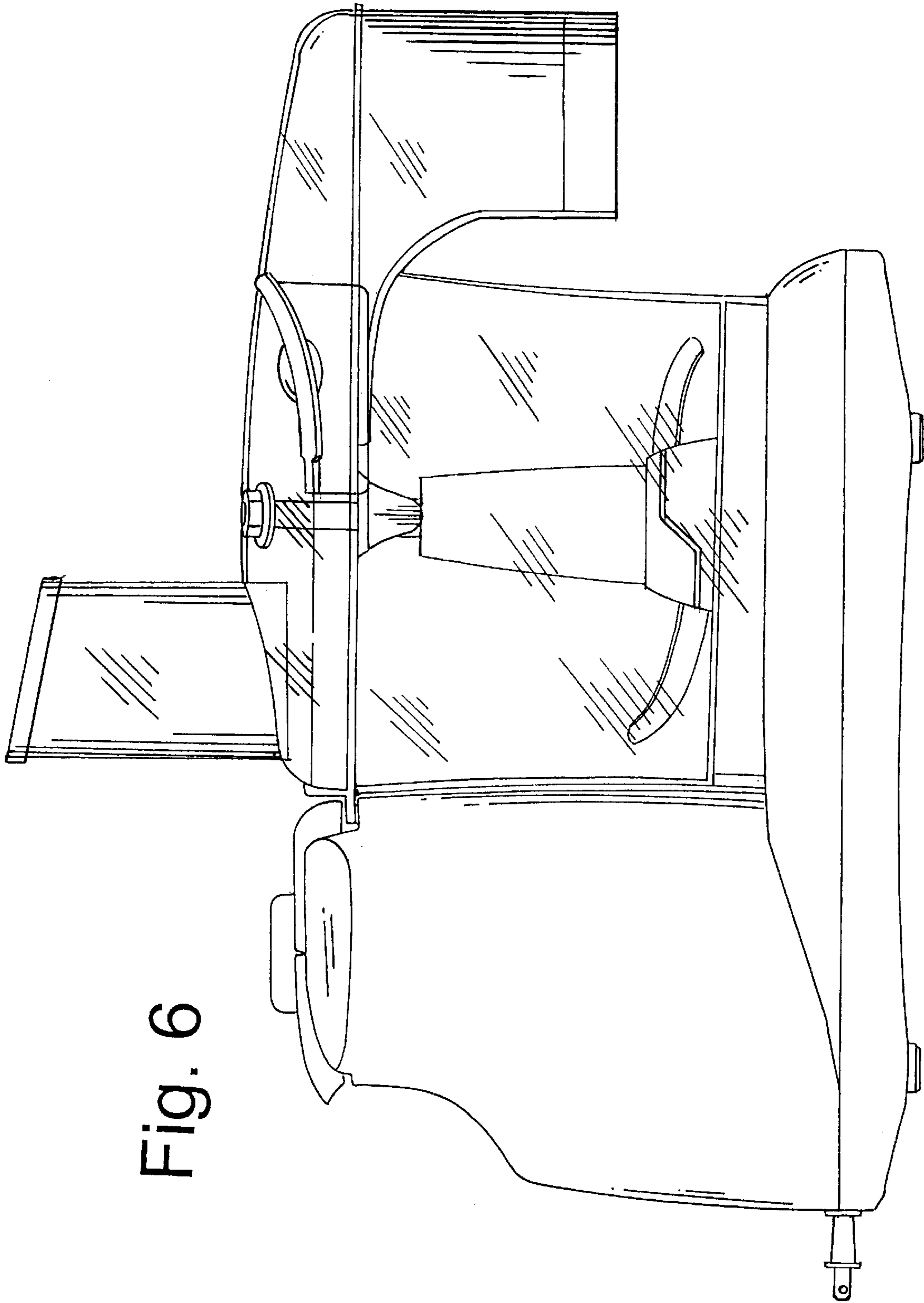
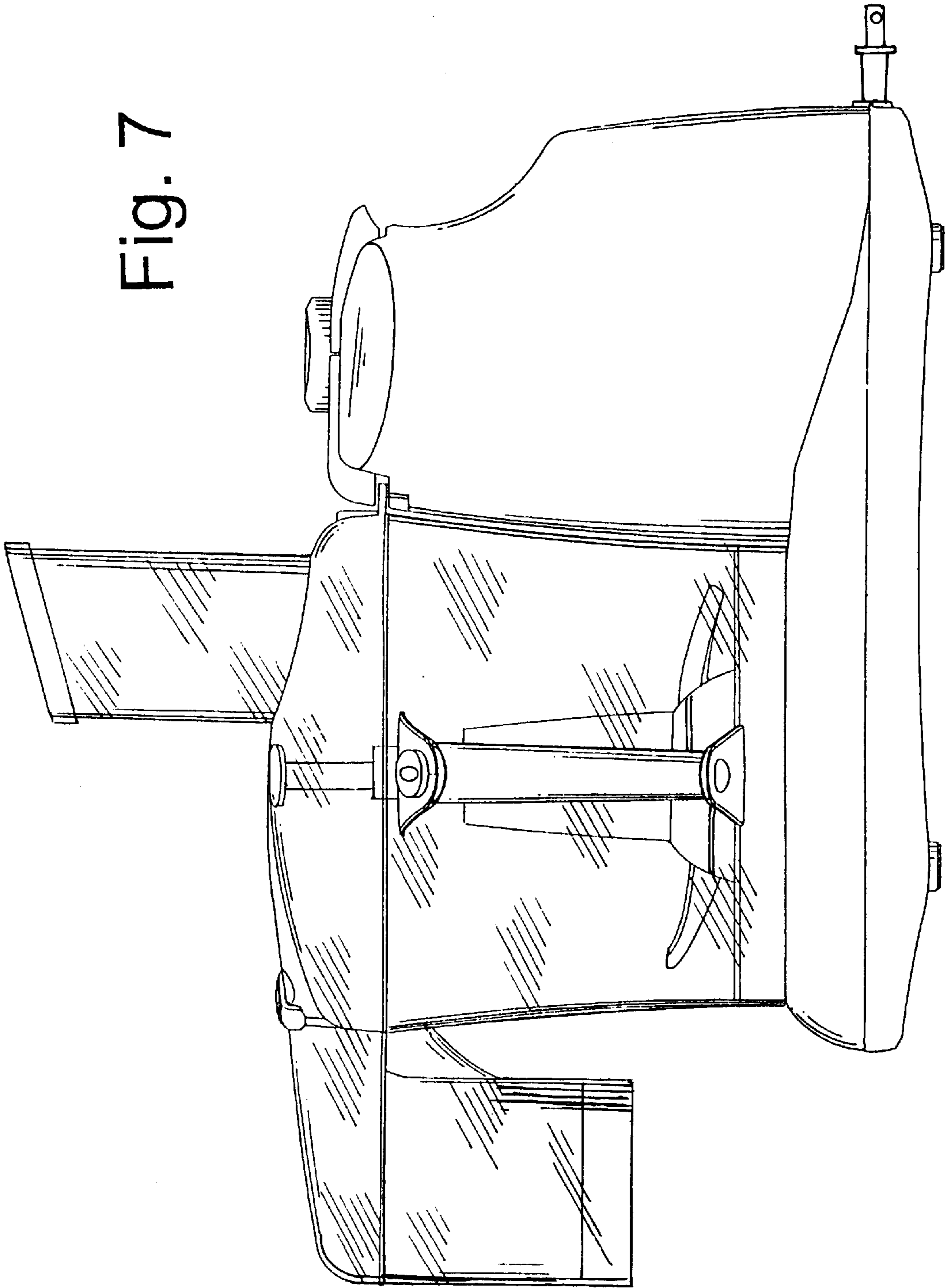


Fig. 6

Fig. 7



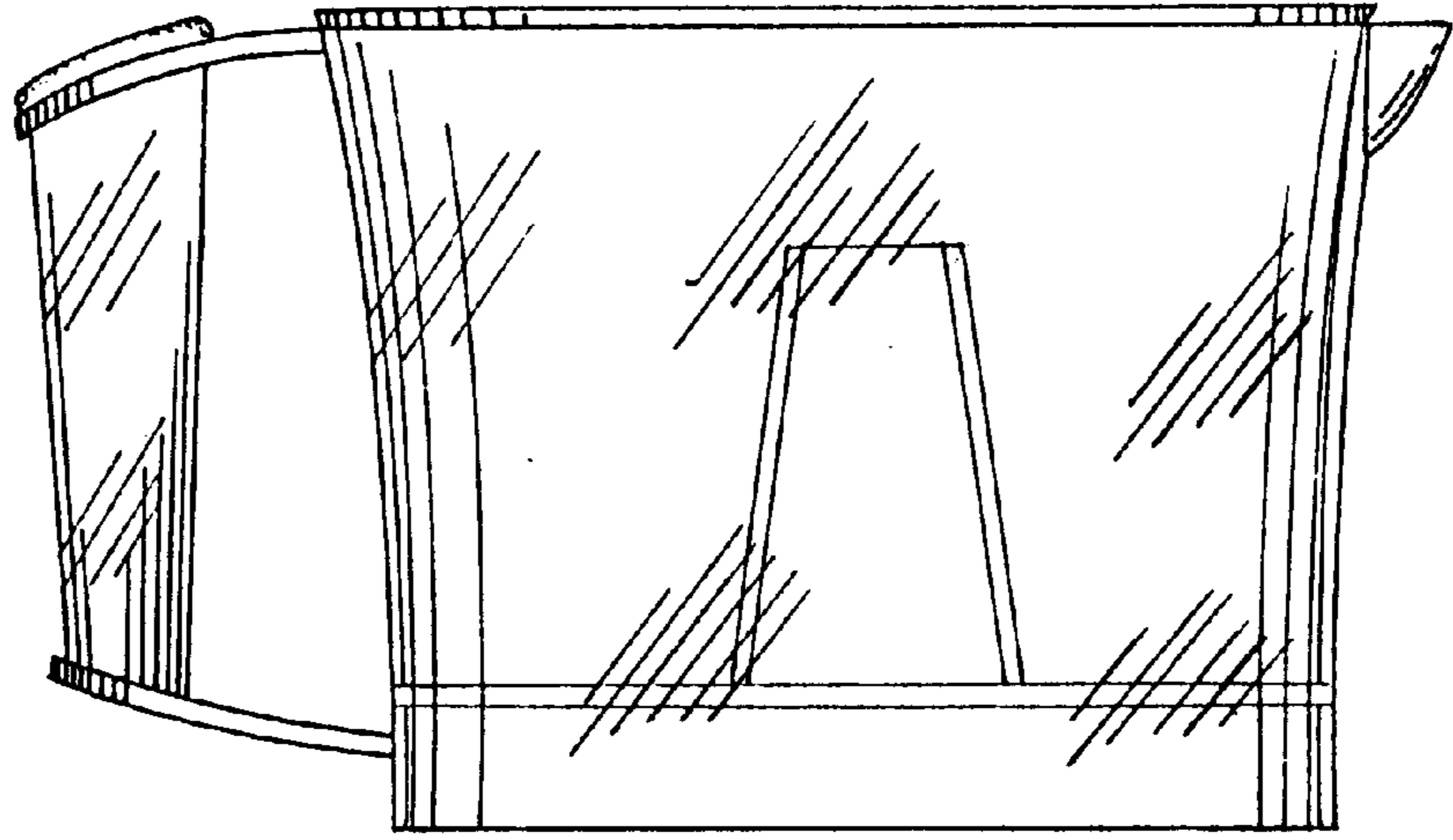


Fig. 8

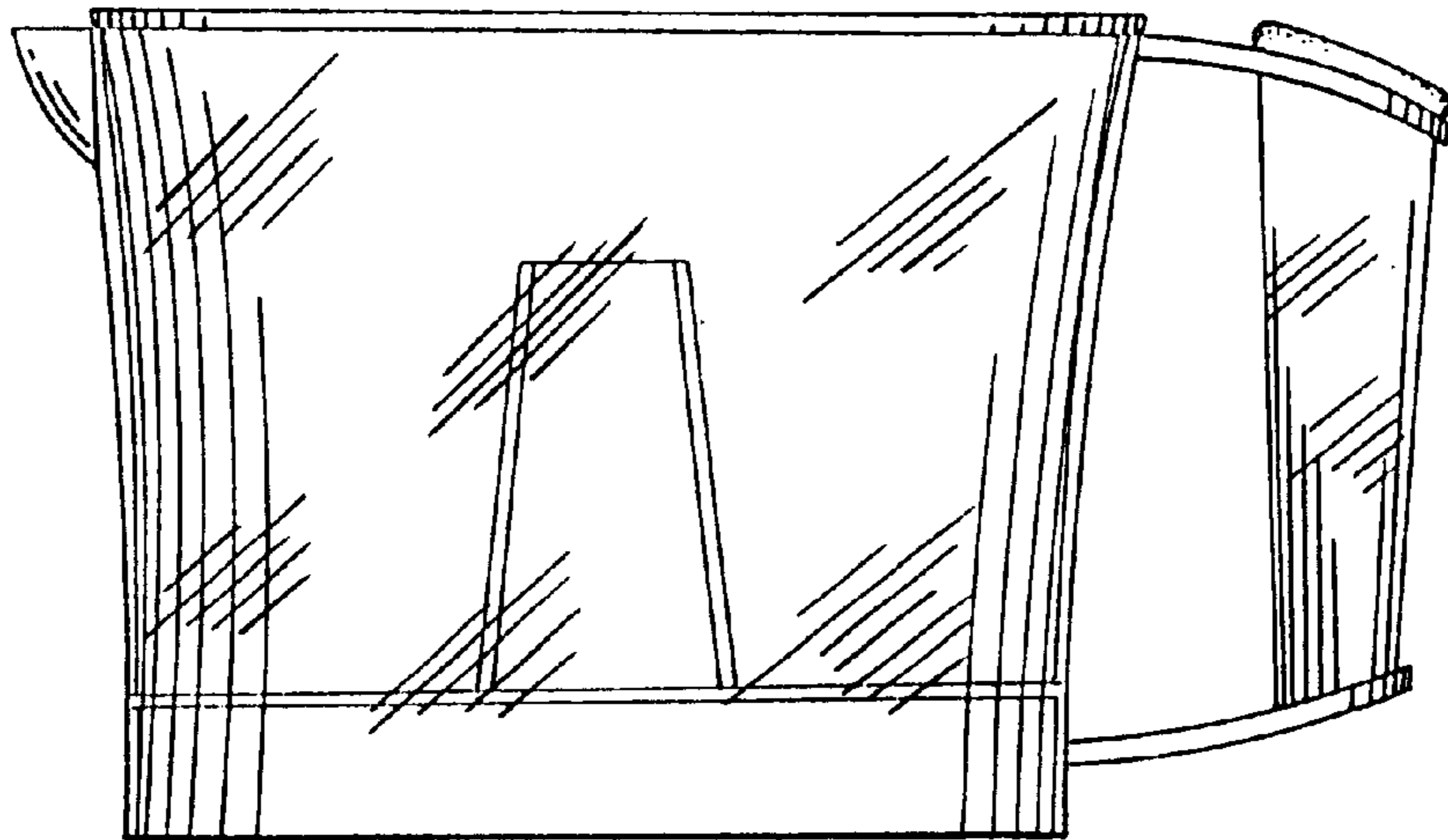


Fig. 9

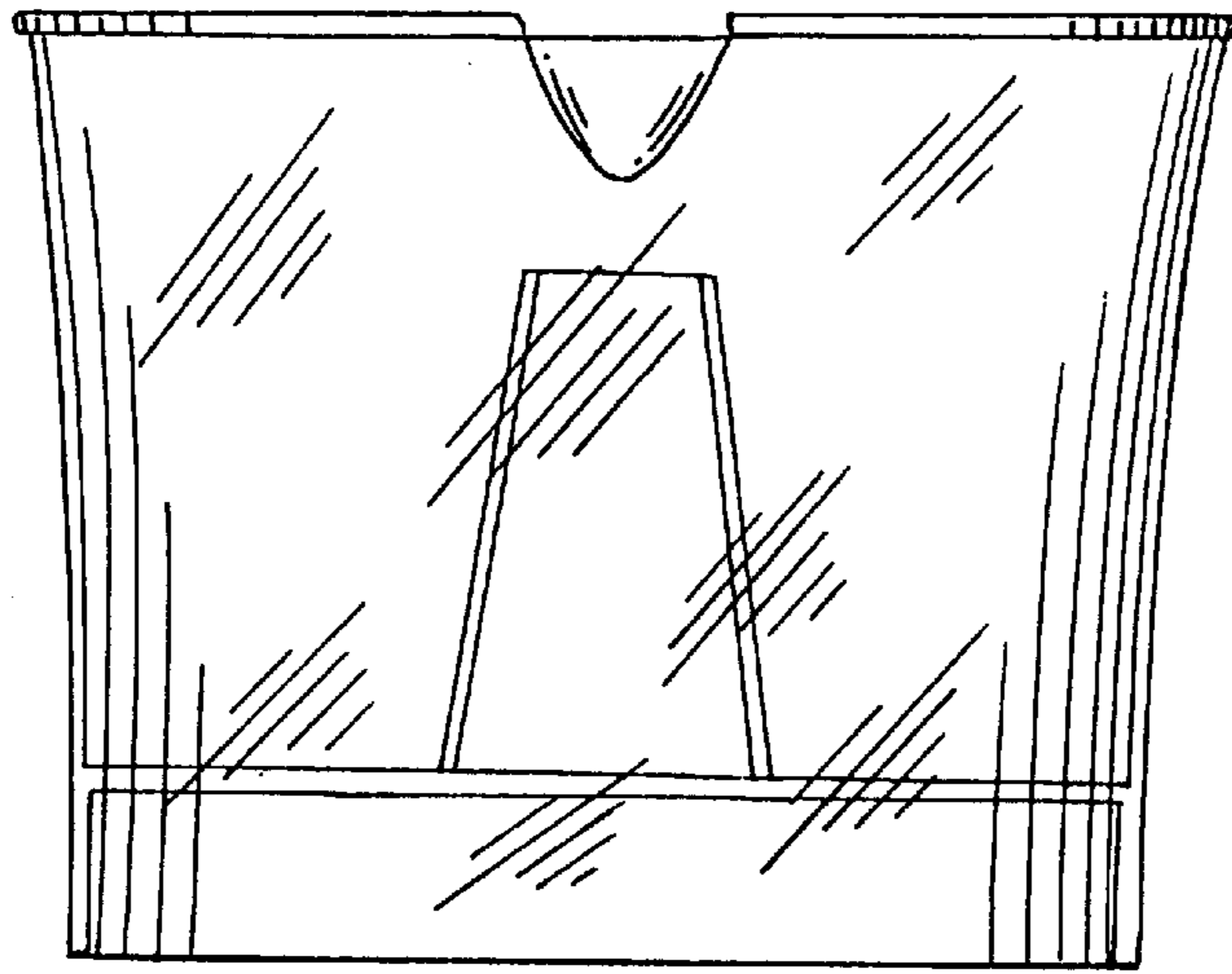


Fig. 10

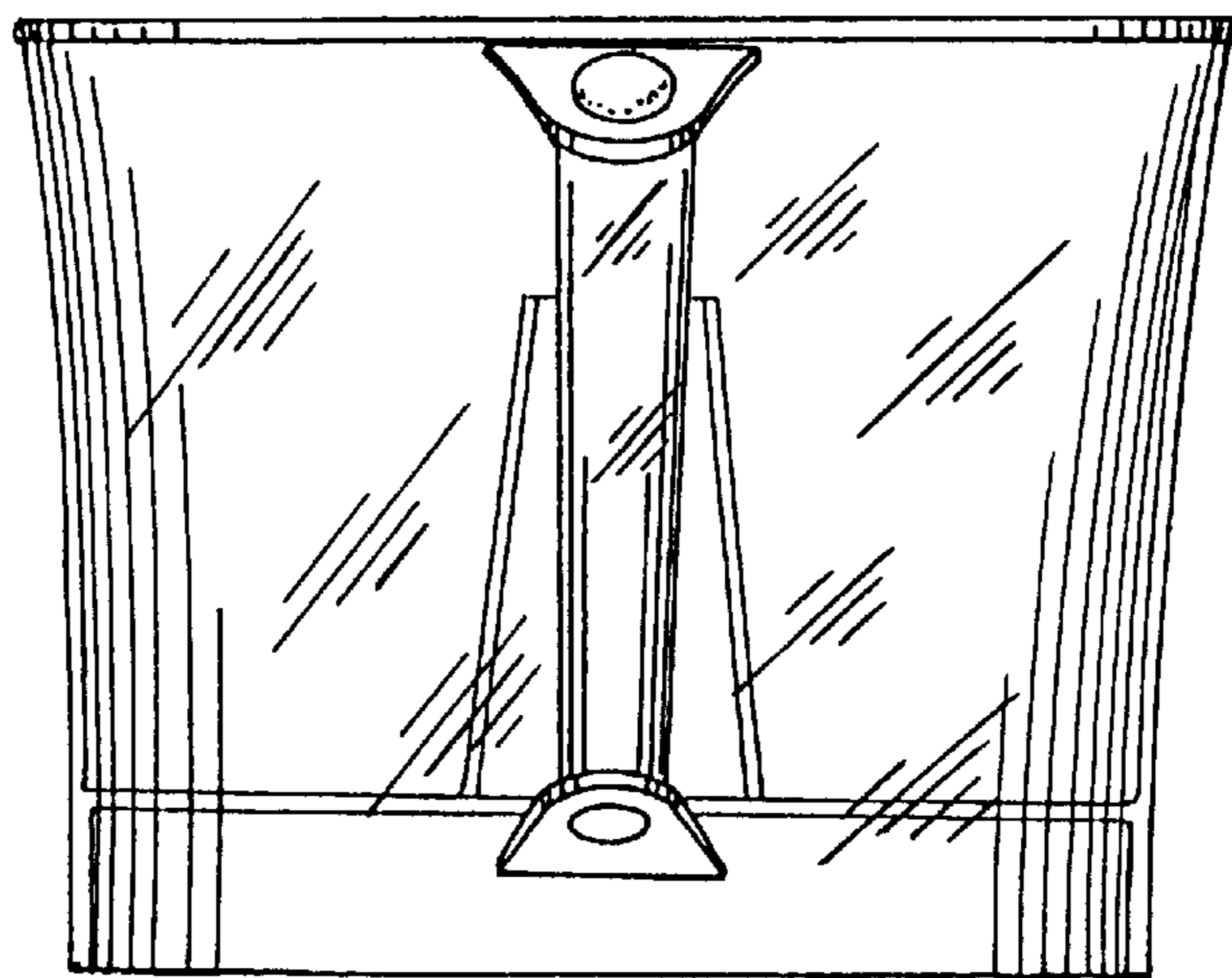


Fig. 11

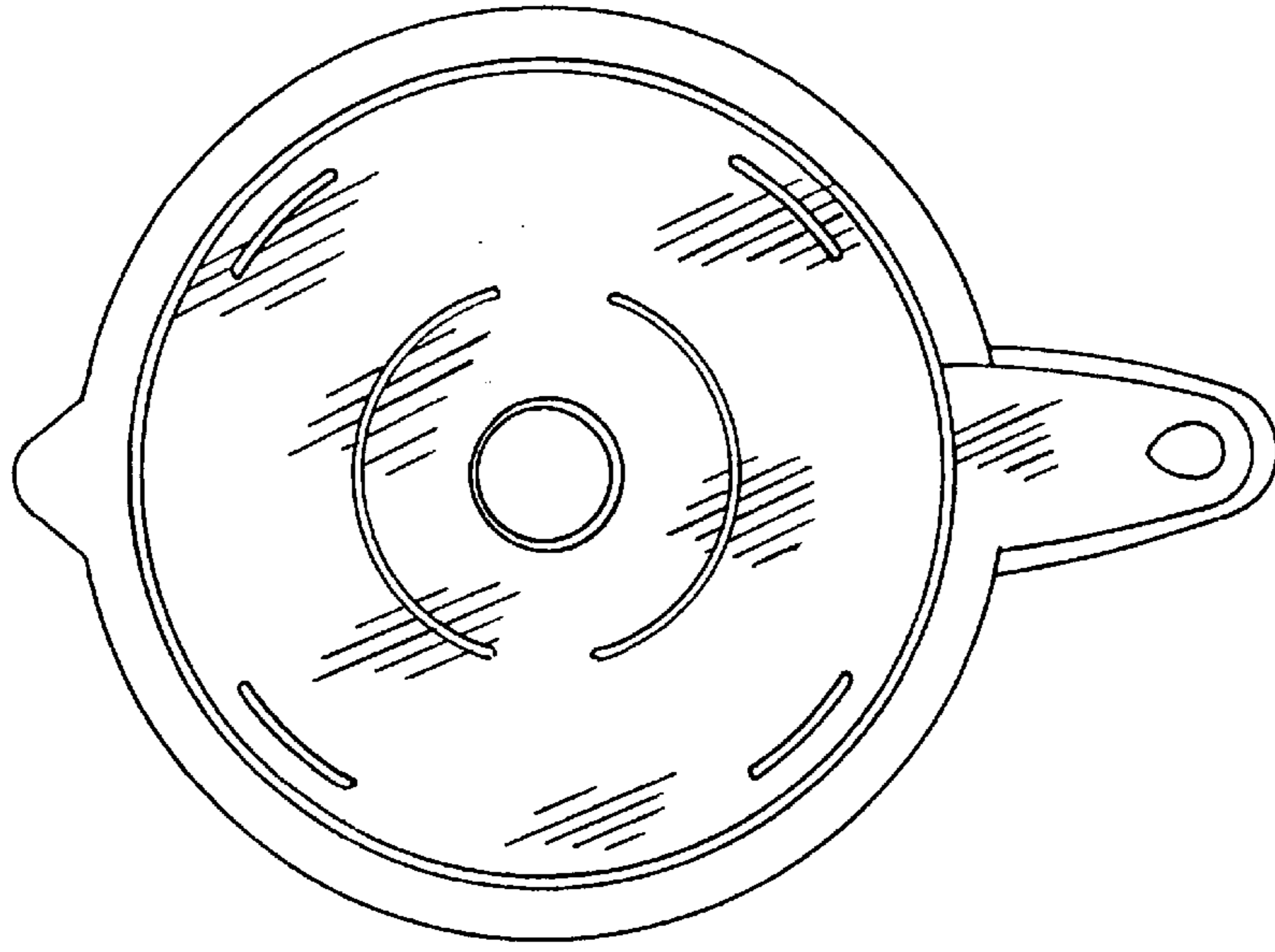


Fig. 12

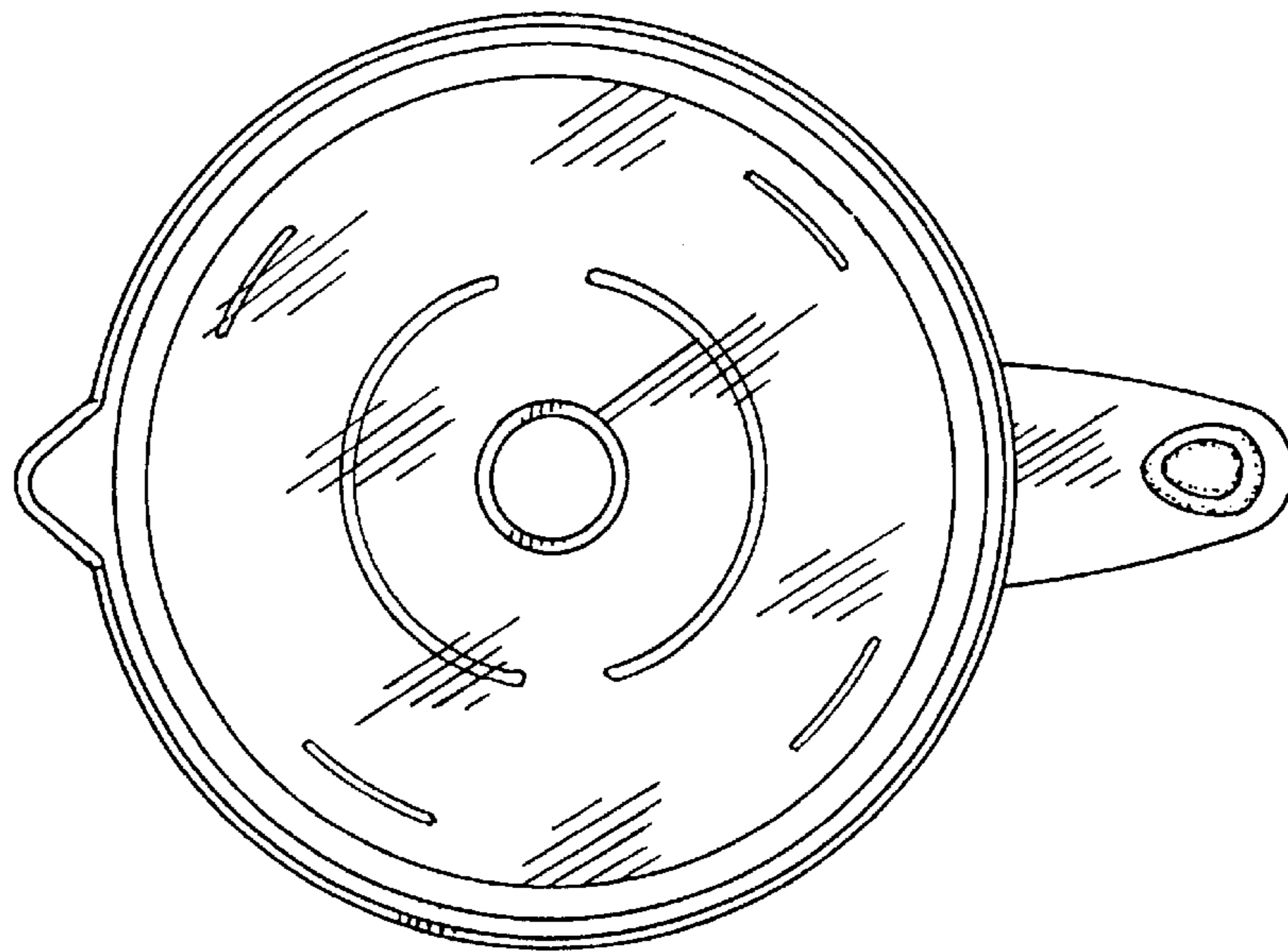


Fig. 13

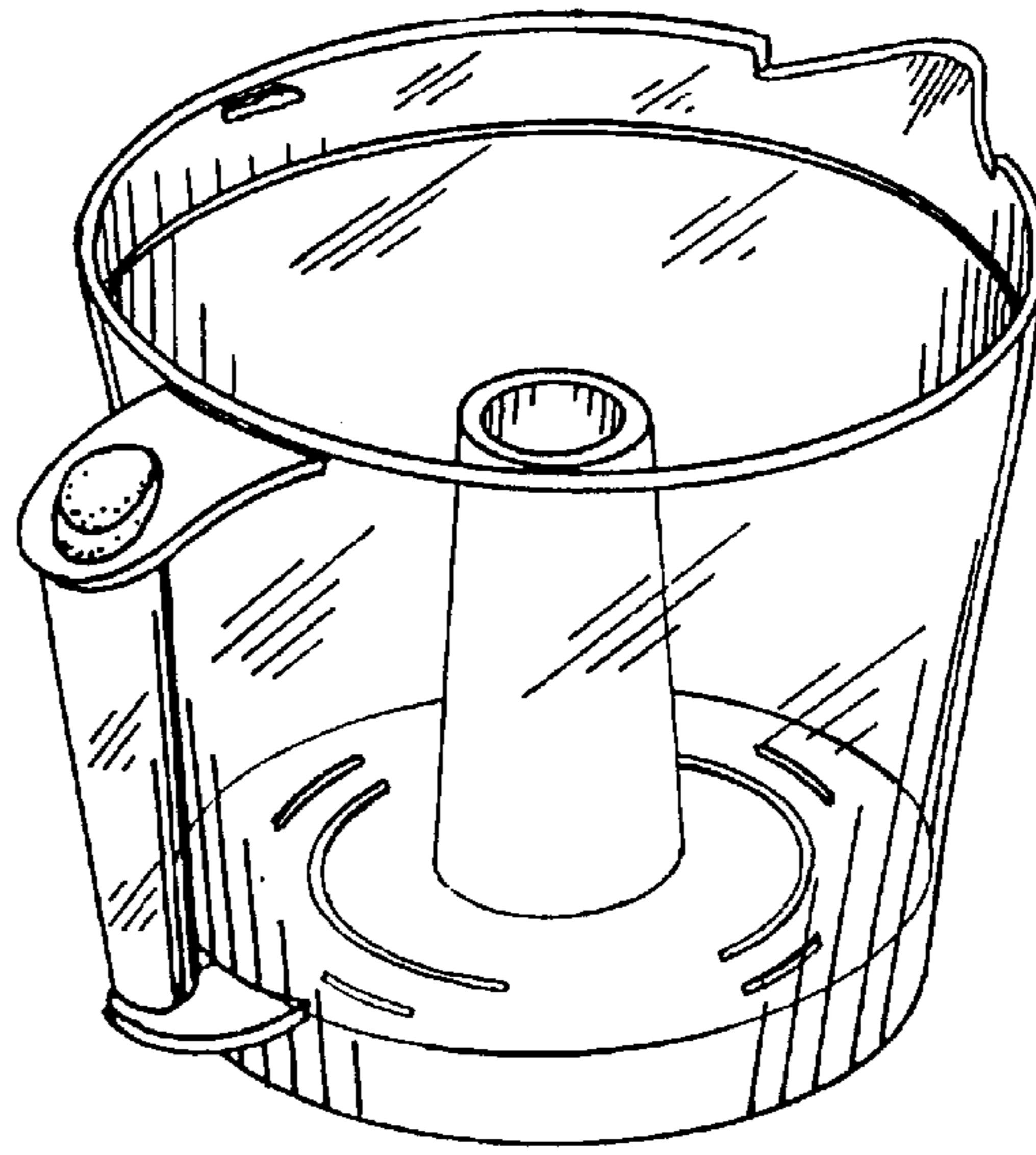


Fig. 14

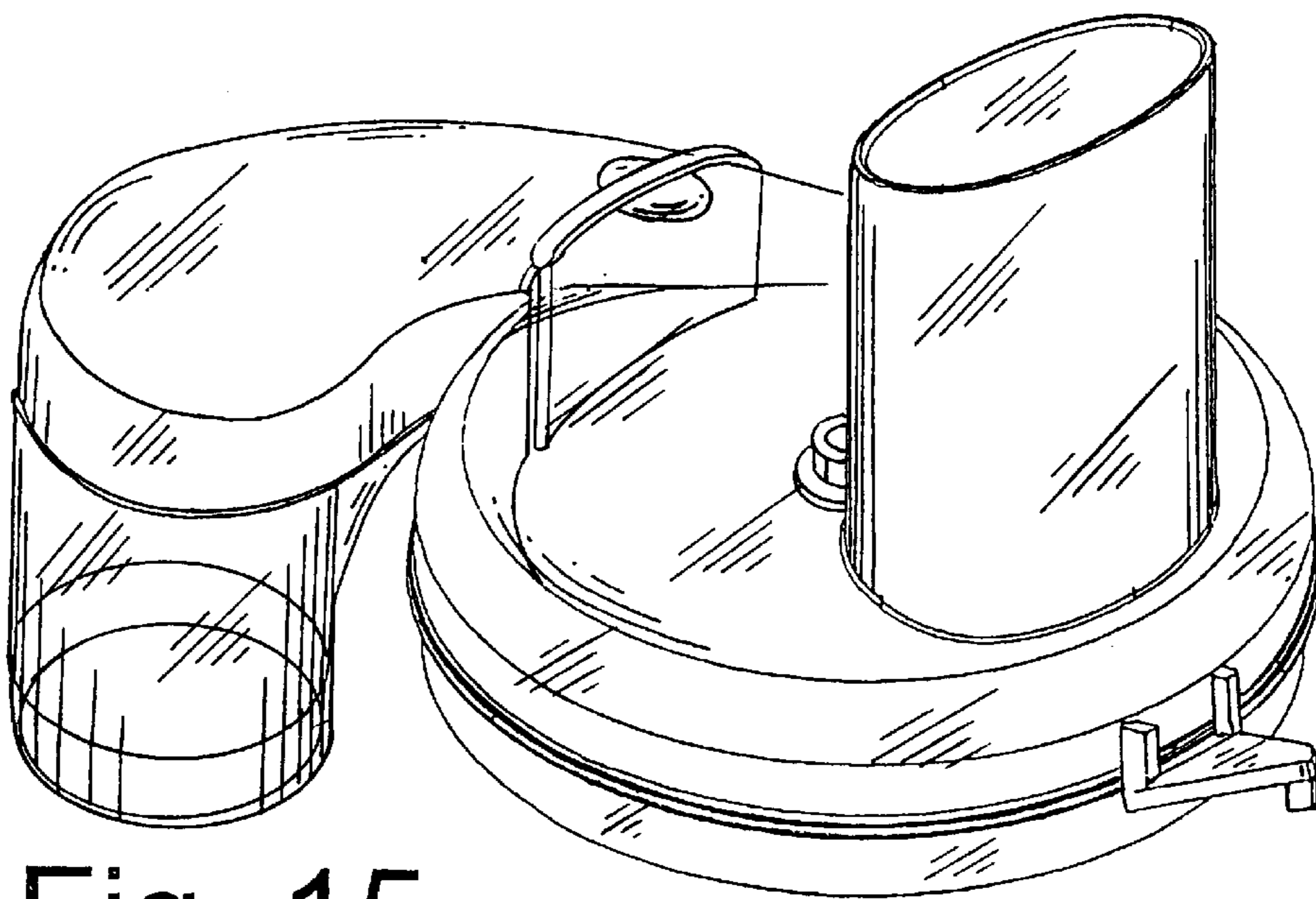


Fig. 15

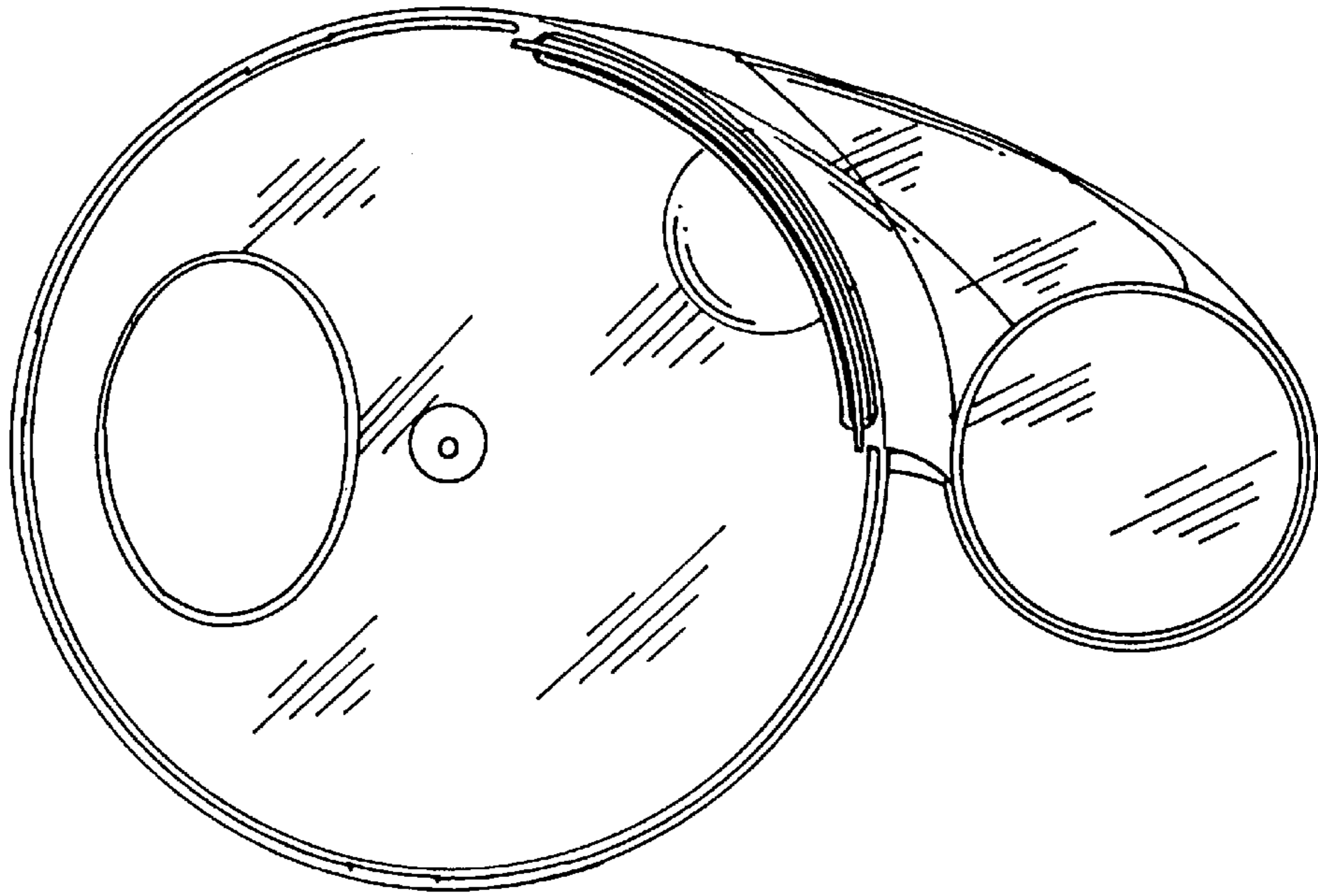


Fig. 16

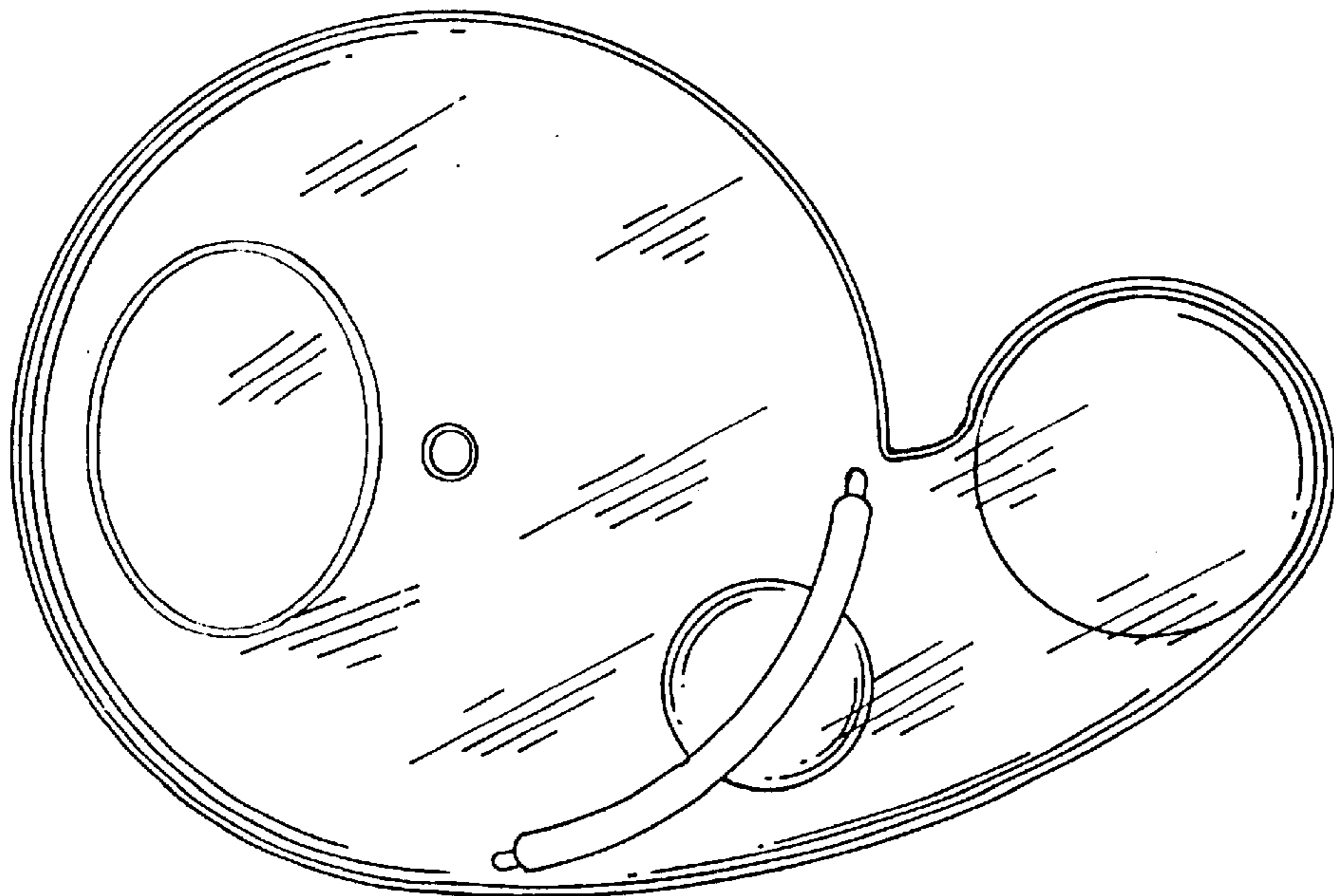


Fig. 17

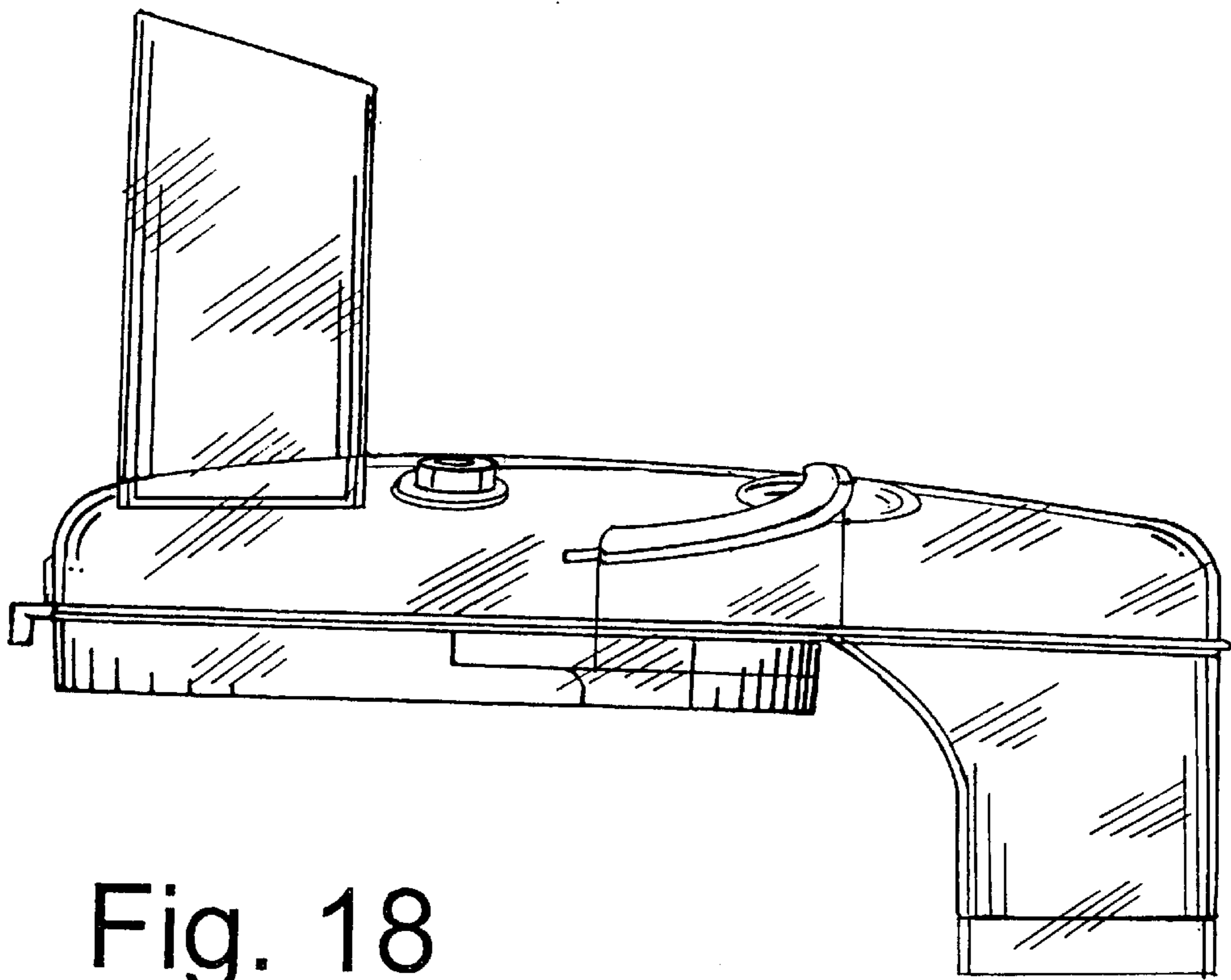


Fig. 18

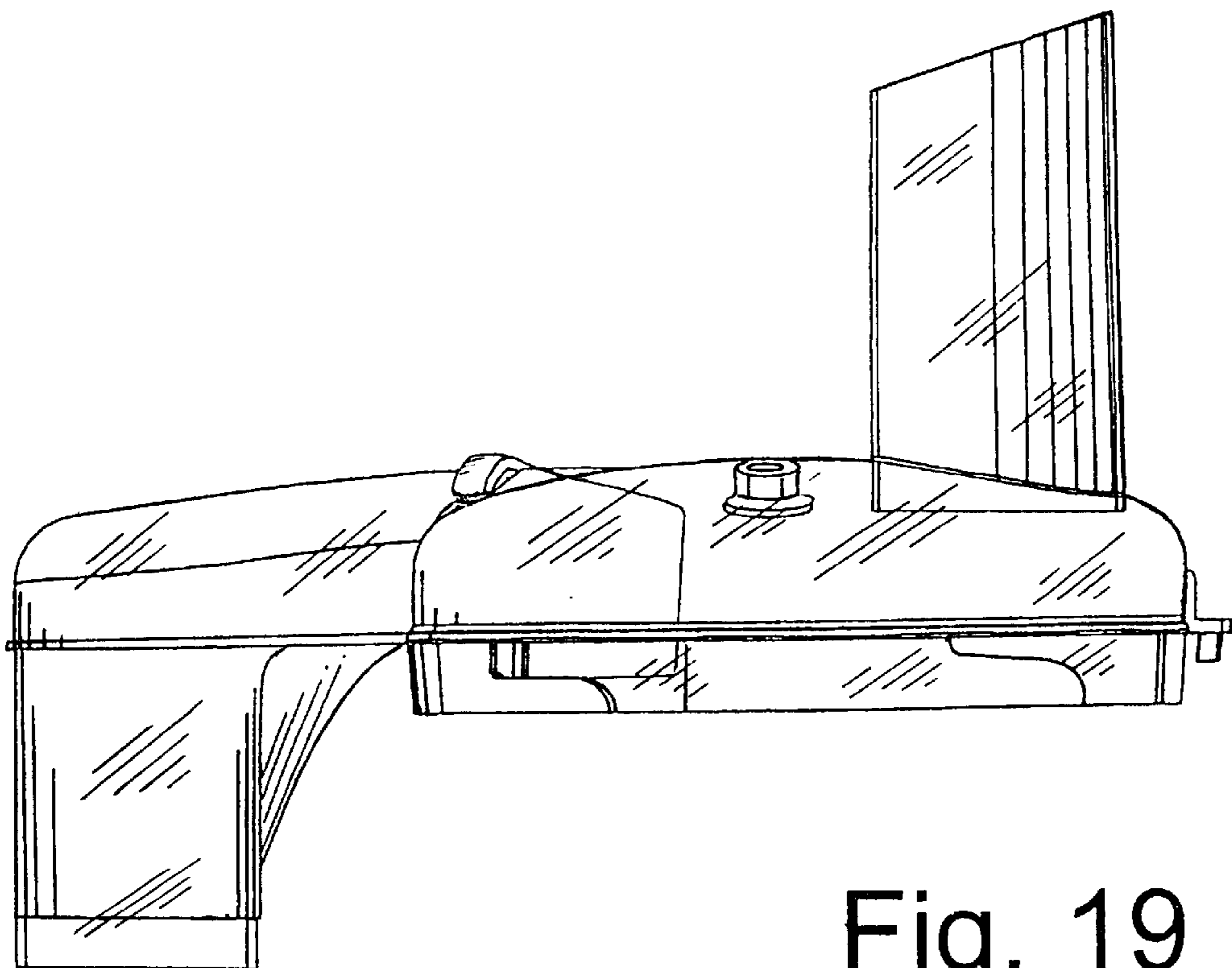


Fig. 19

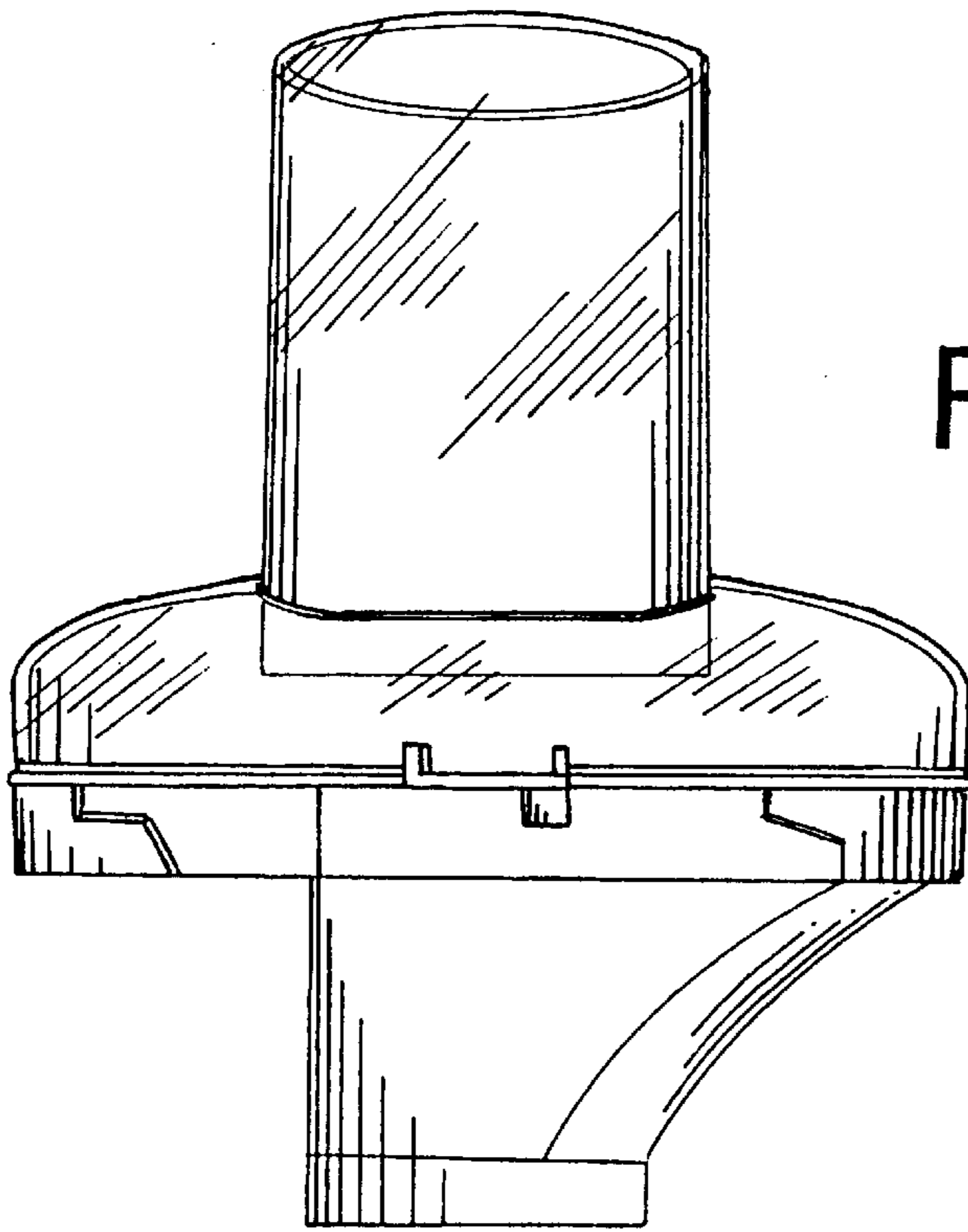


Fig. 20

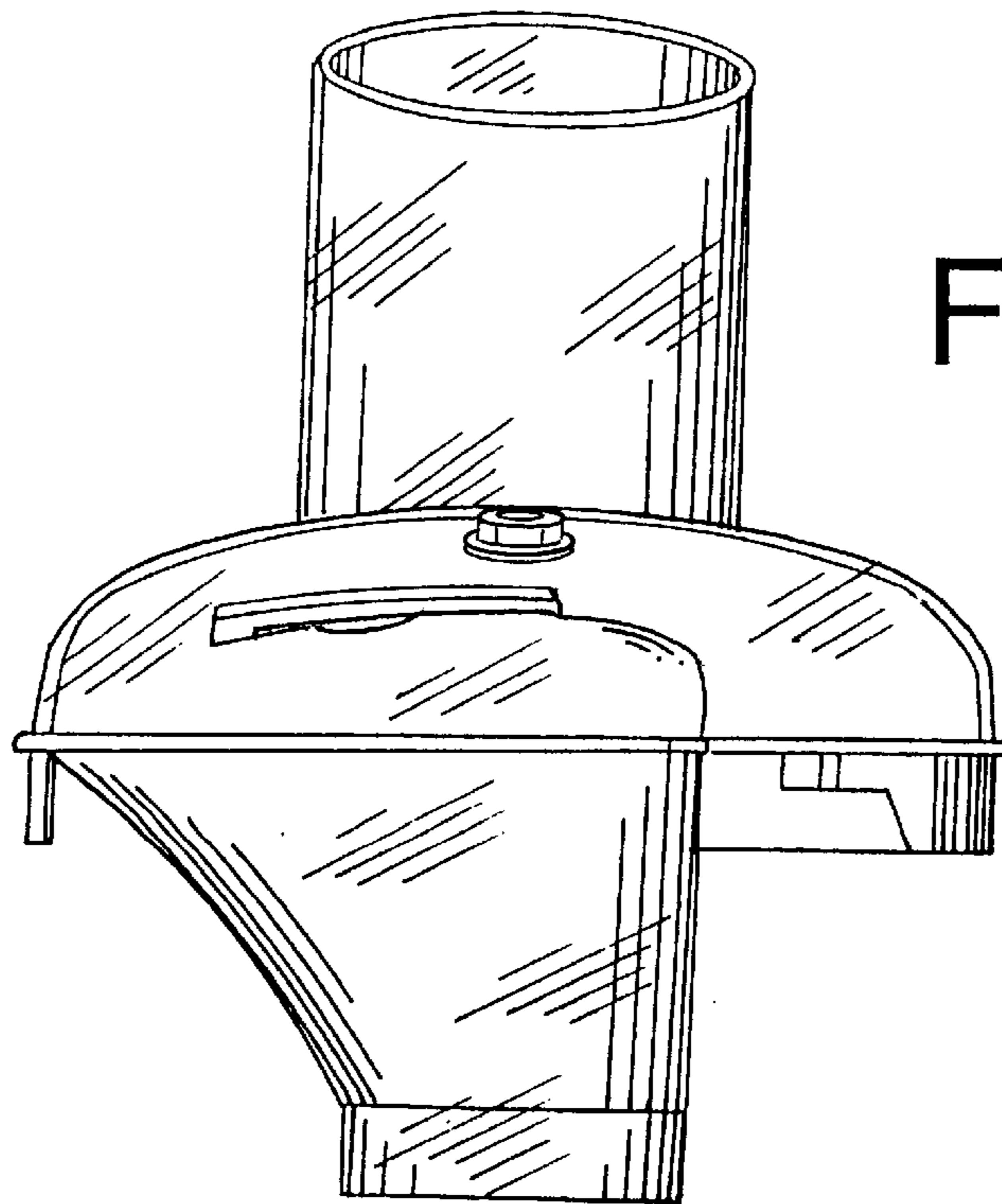


Fig. 21

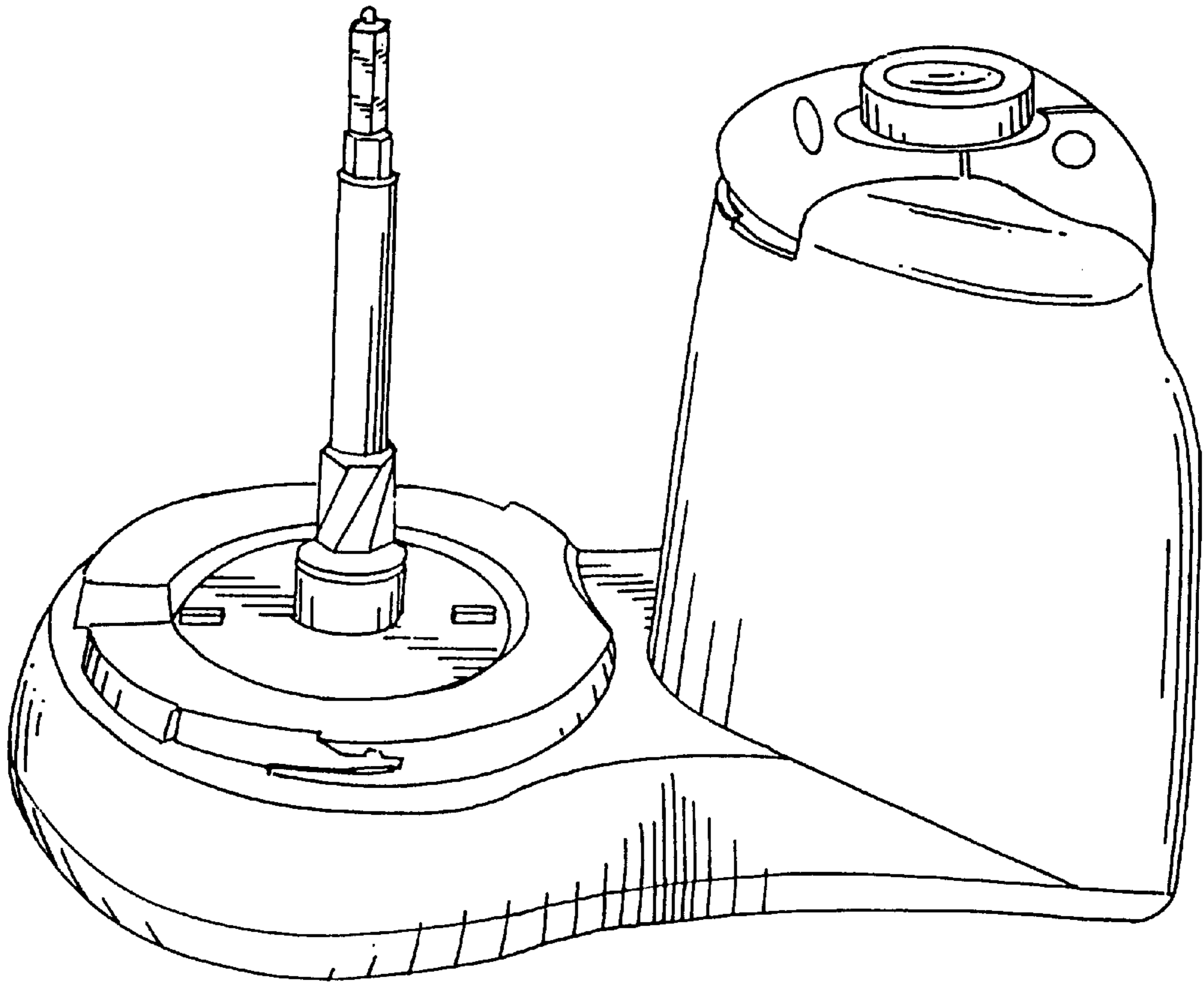


Fig. 22

Fig. 23

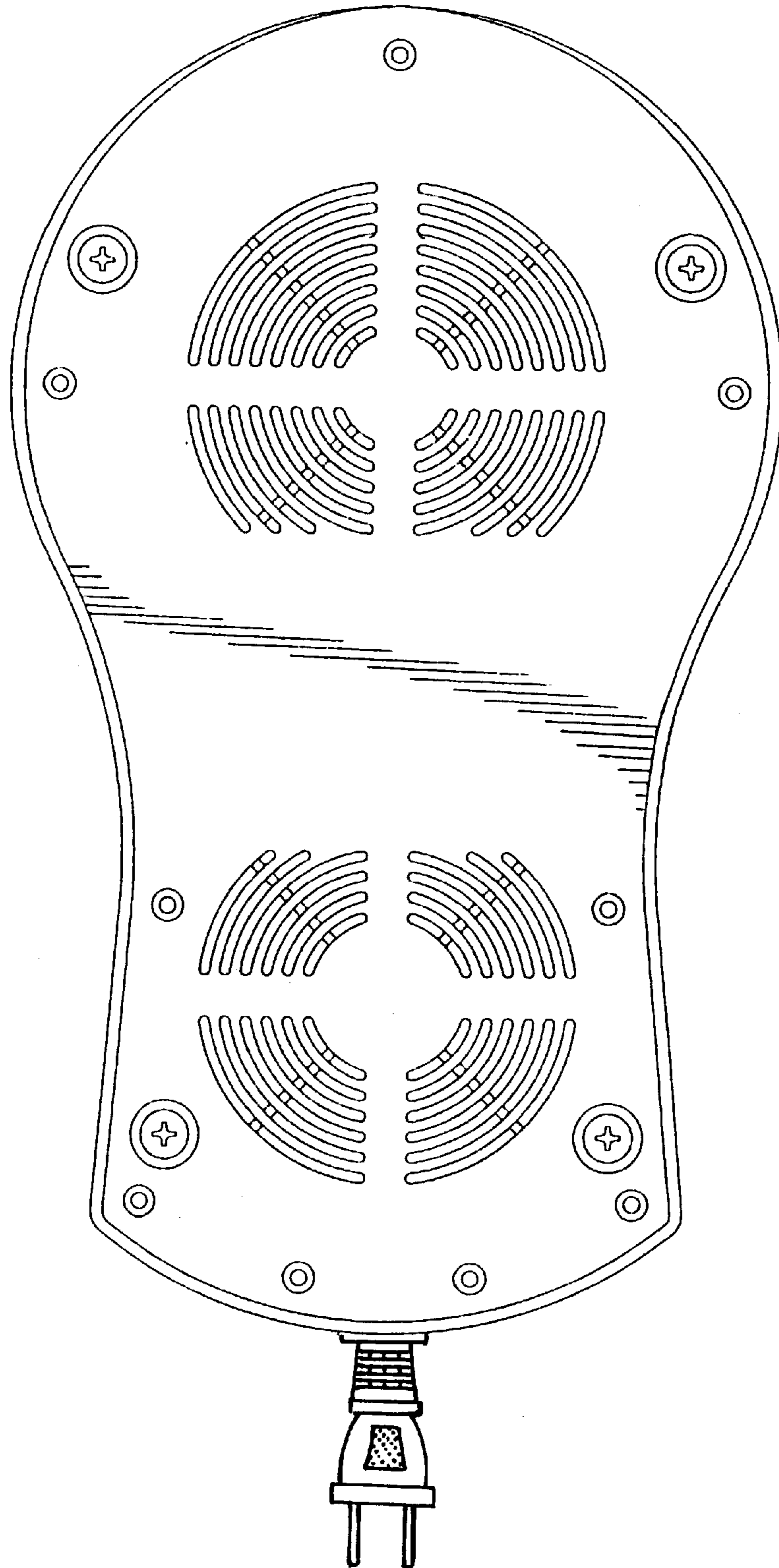
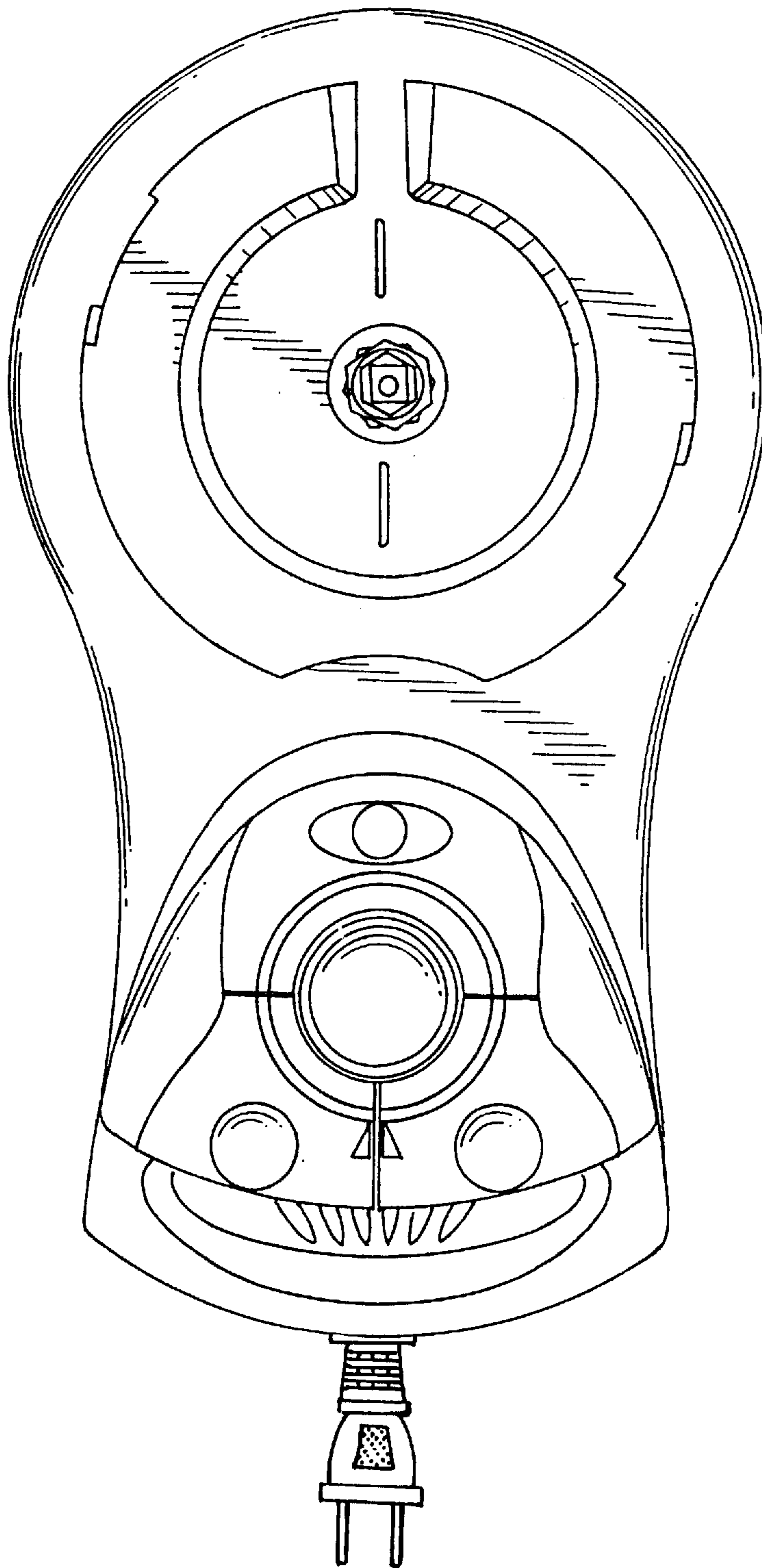


Fig. 24



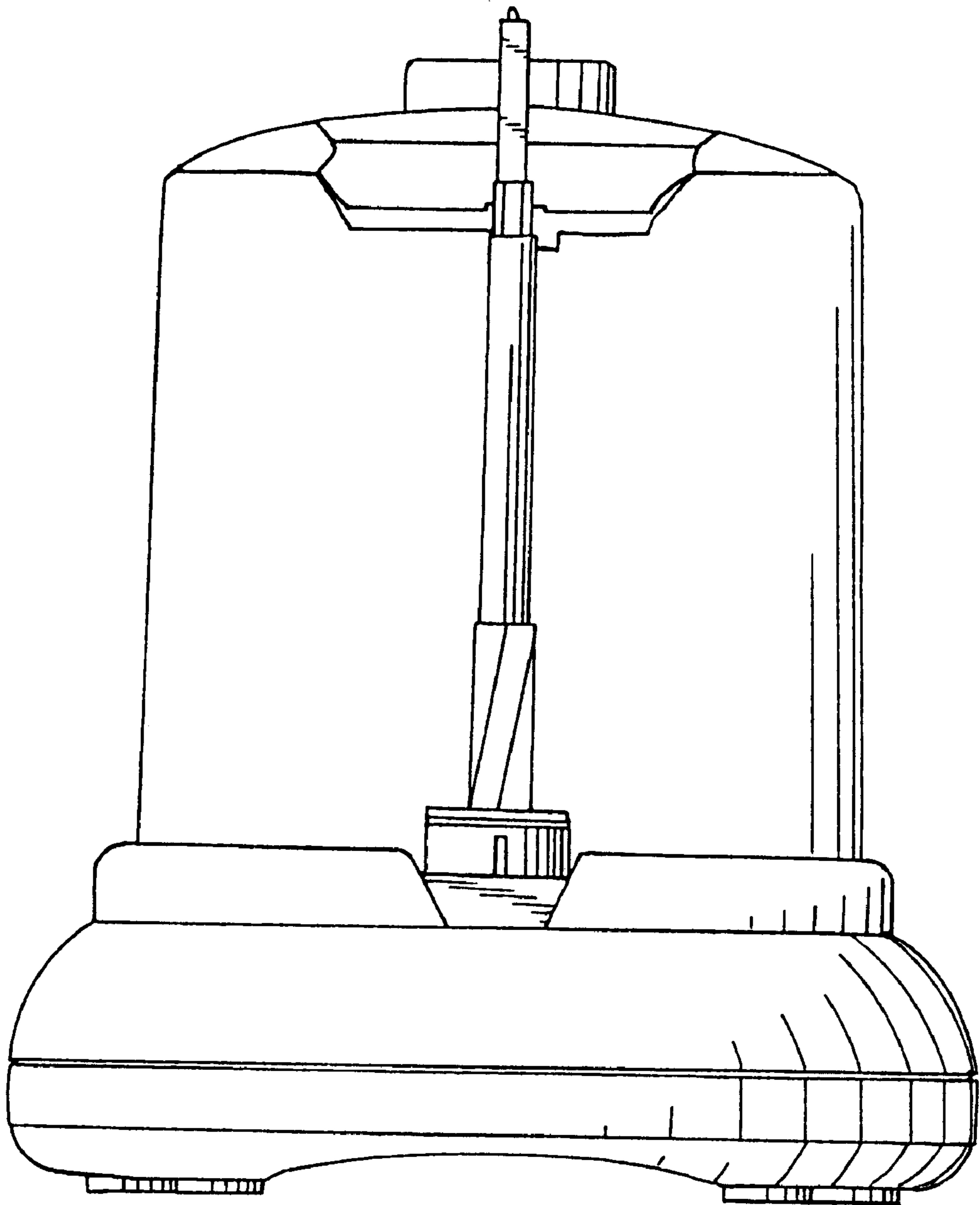


Fig. 25

Fig. 26

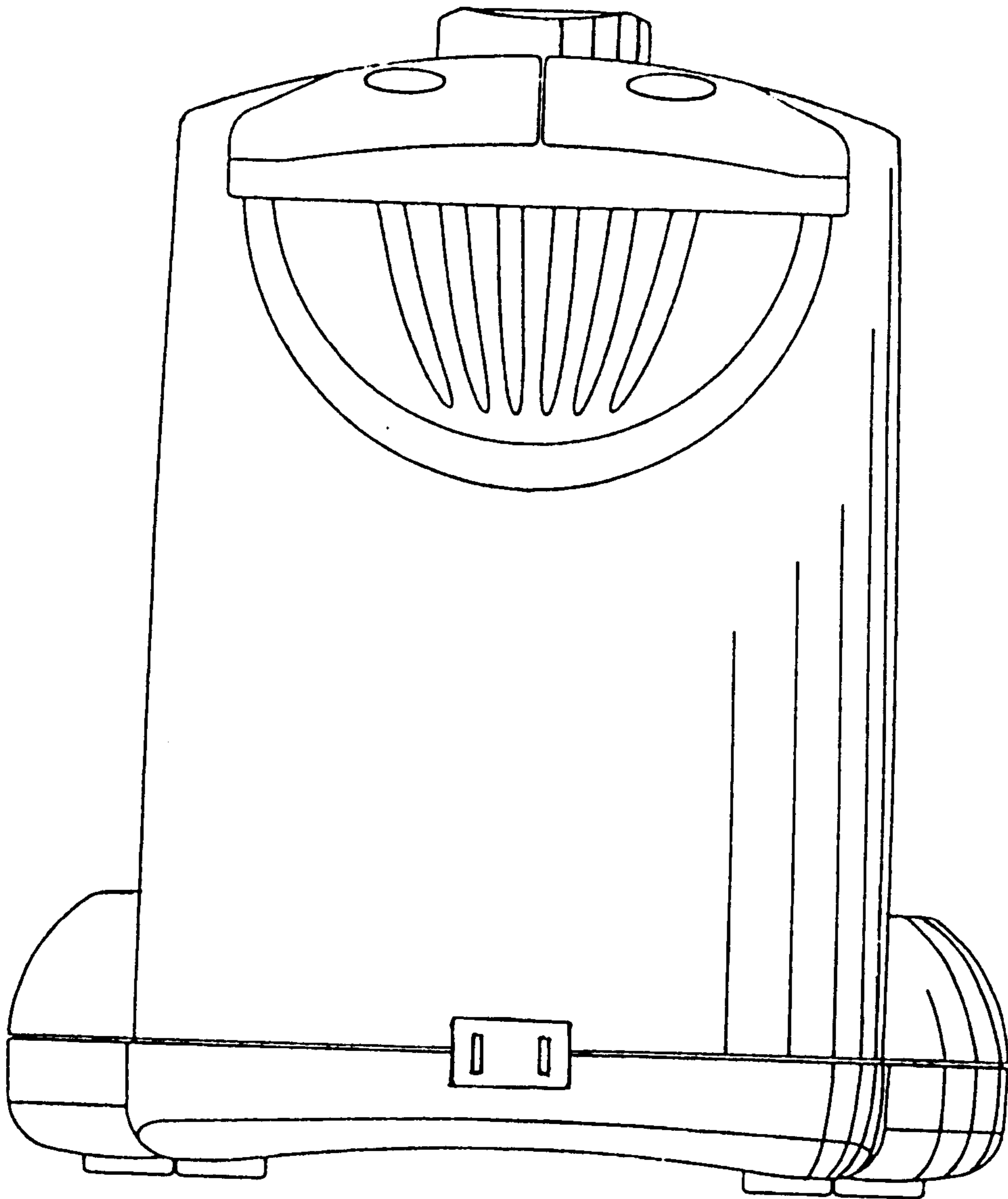
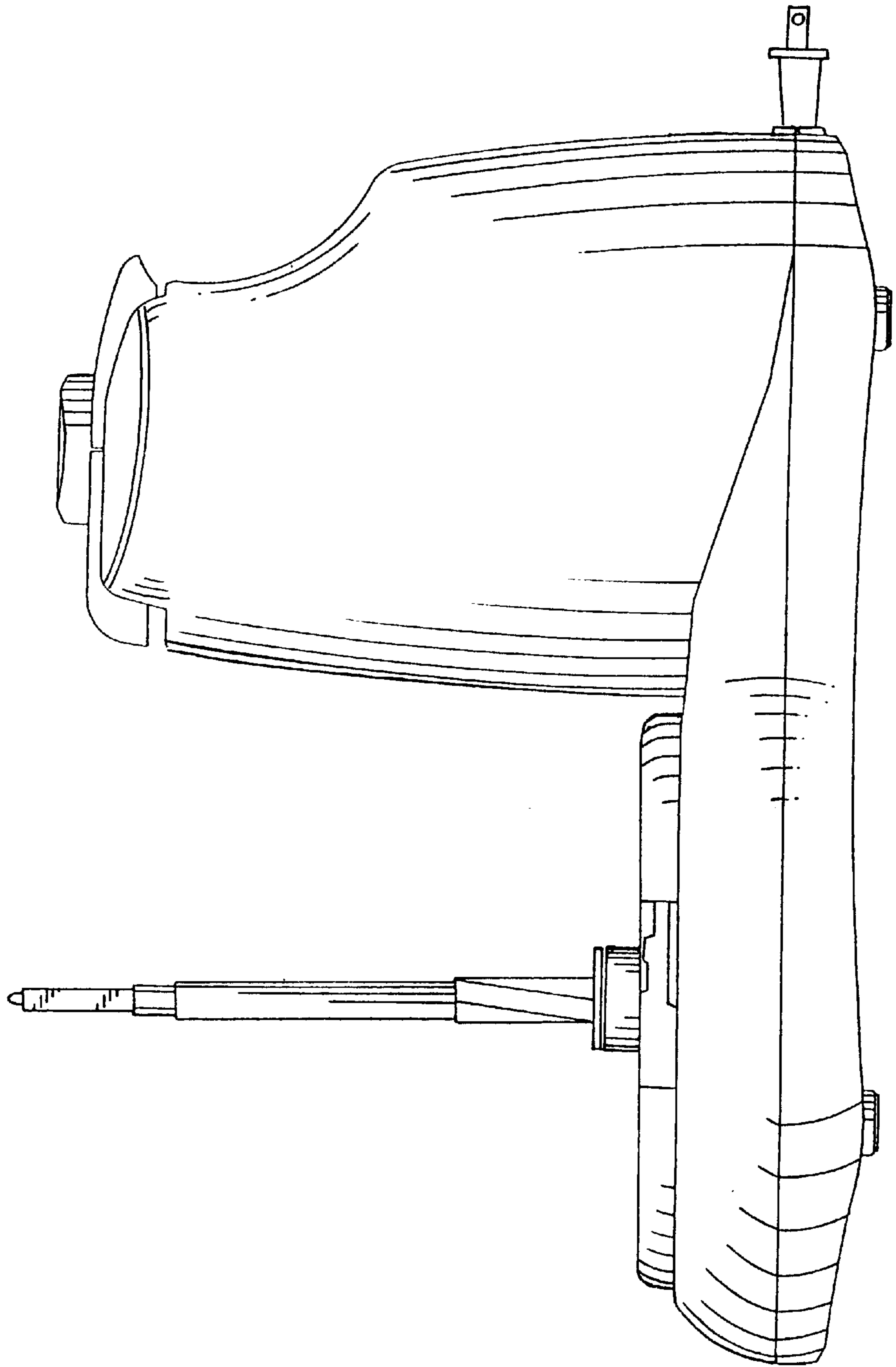


Fig. 27



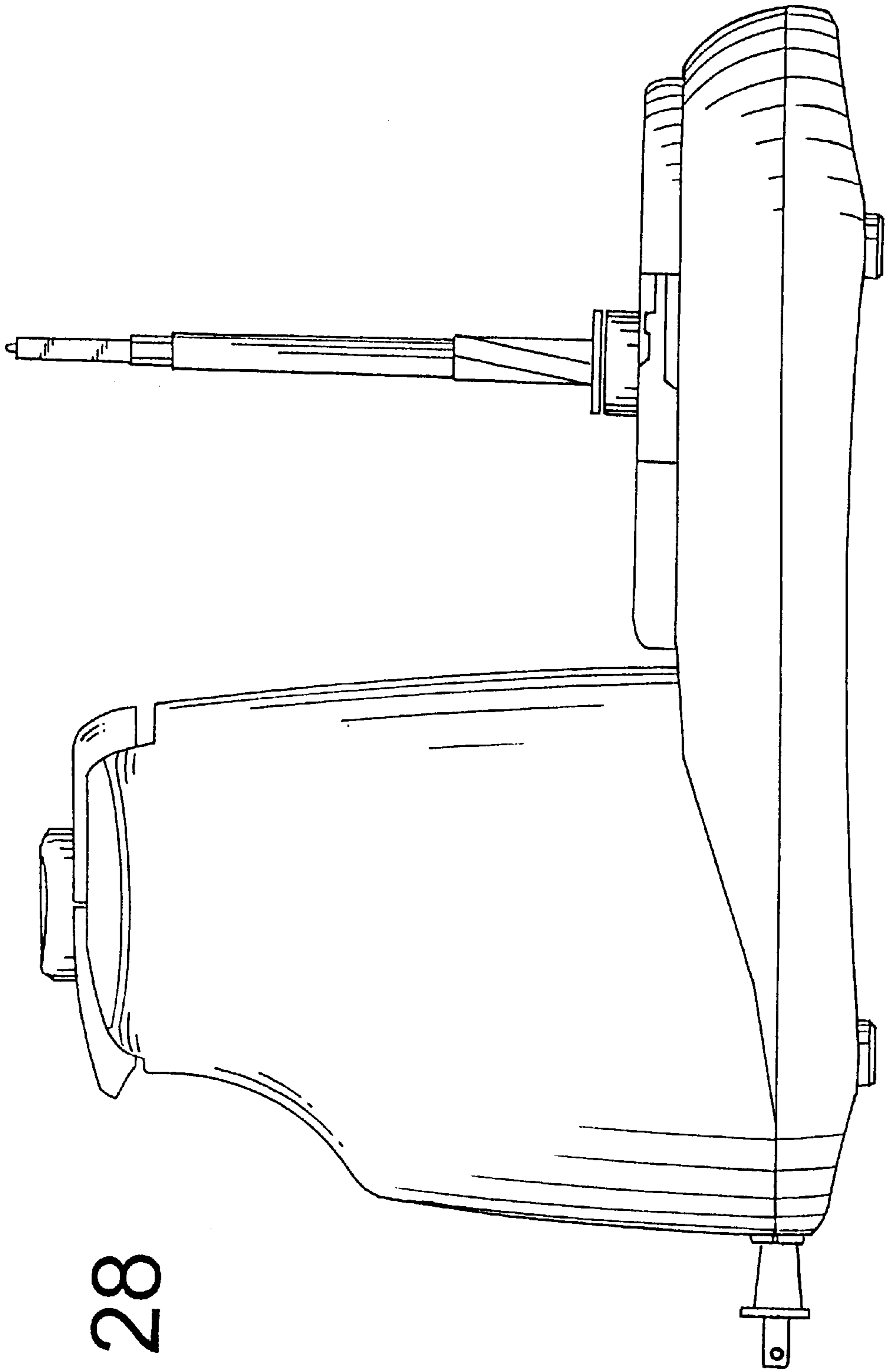


Fig. 28