



US00D457380S

(12) **United States Design Patent**  
**Mauch**

(10) **Patent No.:** **US D457,380 S**

(45) **Date of Patent:** **\*\* May 21, 2002**

(54) **FOOD PROCESSOR**

(75) Inventor: **Jeffery T. Mauch**, Mechanicsville, VA (US)

(73) Assignee: **Hamilton Beach/Proctor-Silex, Inc.**, Glen Allen, VA (US)

(\*\*) Term: **14 Years**

(21) Appl. No.: **29/129,380**

(22) Filed: **Sep. 13, 2000**

(51) **LOC (7) Cl.** ..... **31-00**

(52) **U.S. Cl.** ..... **D7/384**

(58) **Field of Search** ..... D7/376-386, 412-414; 99/509-512; 241/33, 101.01, 185.5, 285.2

(56) **References Cited**

**U.S. PATENT DOCUMENTS**

D261,718 S	11/1981	Harrison	.....	D7/384
4,396,159 A	8/1983	Podell		
D290,676 S	7/1987	Stutzer et al.	.....	D7/384
4,691,870 A	9/1987	Fukunaga et al.		
4,700,901 A	10/1987	McClellan		
D293,873 S	1/1988	Maass	.....	D7/384
4,799,626 A	1/1989	Hickel et al.		
5,071,077 A	12/1991	Arroubi et al.		

(List continued on next page.)

**OTHER PUBLICATIONS**

Food Processor Instruction Manual Cover sheet and pp. 4 and 8, published by Hamilton Beach/Proctor-Silex, Inc. for a food processor on sale before the filing date of the instant application.

Catalog sheet for Hamilton Beach food processor model 70700 on sale before Sep. 13, 1999, front and back faces.

Copending U.S. application No. 29/129,431 filed Sep. 13, 2001.

*Primary Examiner*—Caron D. Veynar

(74) *Attorney, Agent, or Firm*—Roger S. Dybvig

(57) **CLAIM**

The ornamental design for a food processor, as shown and described.

**DESCRIPTION**

FIG. 1 is a perspective view of a food processor showing my new design;

FIG. 2 is a bottom plan view thereof;

FIG. 3 is a top plan view thereof;

FIG. 4 is a right side elevational view thereof;

FIG. 5 is a left side elevational view thereof;

FIG. 6 is a rear elevational view thereof;

FIG. 7 is a front elevational view thereof;

FIG. 8 is a right side elevational view of the container shown separately for ease of illustration;

FIG. 9 is a left side elevational view of the container thereof;

FIG. 10 is a front elevational view of the container thereof;

FIG. 11 is a rear elevational view of the container thereof;

FIG. 12 is a top plan view of the container thereof;

FIG. 13 is a bottom plan view of the container thereof;

FIG. 14 is a perspective view of the container thereof;

FIG. 15 is a perspective view of the lid shown separately for ease of illustration;

FIG. 16 is a top plan view of the lid thereof;

FIG. 17 is a bottom plan view of the lid thereof;

FIG. 18 is a rear elevational view of the lid thereof;

FIG. 19 is a front elevational view of the lid thereof;

FIG. 20 is a right side elevational view of the lid thereof;

FIG. 21 is a left side elevational view of the lid thereof;

FIG. 22 is a perspective view of the base unit shown separately for ease of illustration;

FIG. 23 is a bottom plan view of the base unit thereof;

FIG. 24 is a top plan view of the base unit thereof;

FIG. 25 is a left side elevational view of the base unit thereof;

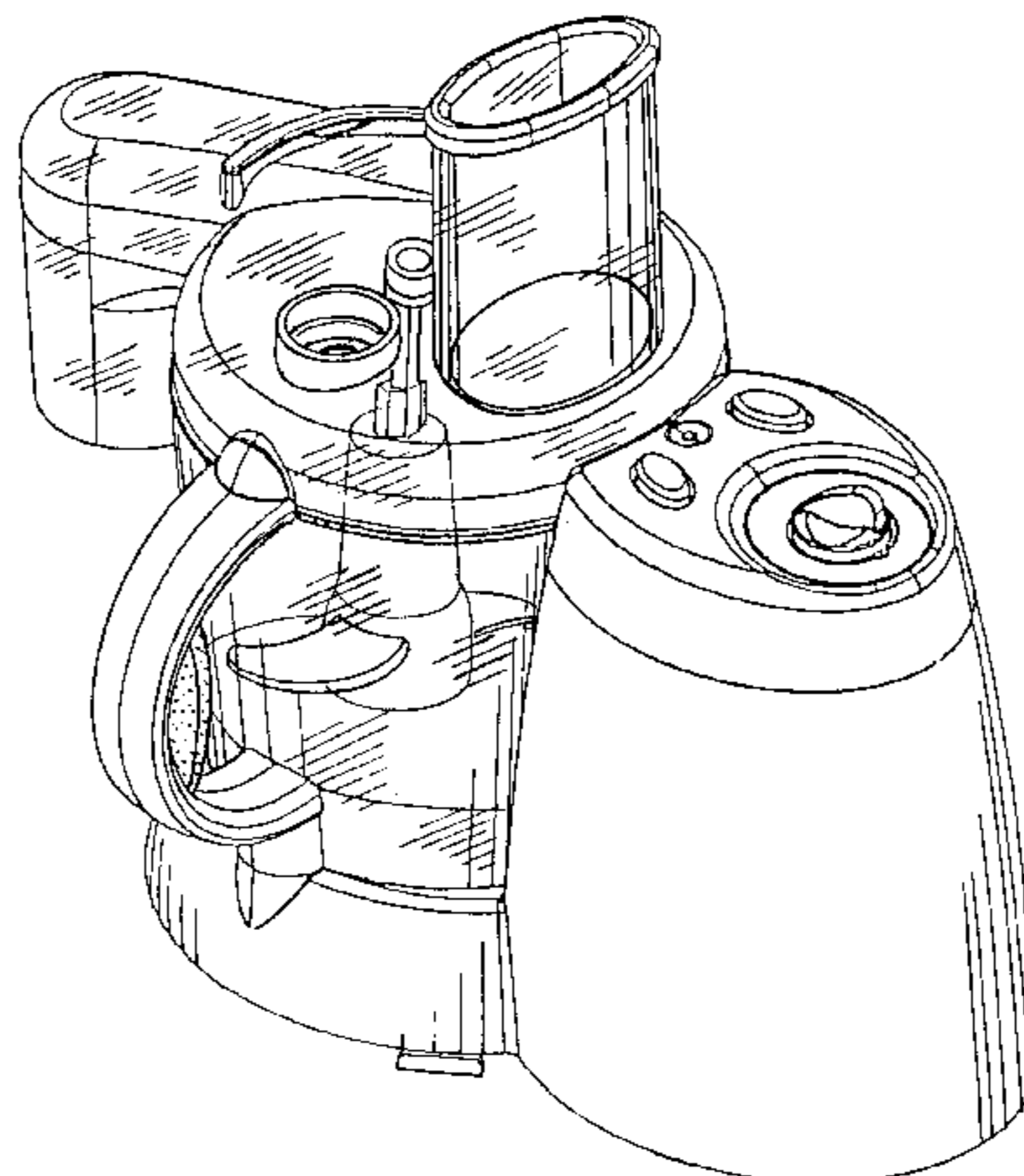
FIG. 26 is a right side elevational view of the base unit thereof;

FIG. 27 is a rear elevational view of the base unit thereof; and,

FIG. 28 is a front elevational view of the base unit thereof.

The air vents shown by broken lines in FIGS. 2 and 23 are for illustrative purposes only and form no part of the claimed design.

**1 Claim, 21 Drawing Sheets**



# US D457,380 S

Page 2

---

## U.S. PATENT DOCUMENTS

D325,322 S	4/1992	Maass .....	D7/384	D383,644 S	9/1997	Feil .....	D7/413
5,222,430 A	6/1993	Wang .....	99/512	D385,150 S	10/1997	Leverrier .....	D7/386
D337,918 S	8/1993	Littmann .....	D7/386	D385,151 S	10/1997	Leverrier .....	D7/386
D345,078 S	3/1994	Gotzsch .....	D7/384	D392,150 S	3/1998	Tanaka et al. ....	D7/384
D345,079 S	3/1994	Johnson .....	D7/384	5,921,485 A	7/1999	Plavcan et al.	
D366,984 S	2/1996	Hsu .....	D7/376	D419,367 S	1/2000	Kin .....	D7/384
D373,049 S *	8/1996	le Rouzic .....	D7/413	D434,271 S	11/2000	Naft et al. ....	D7/384
D373,703 S	9/1996	Frisell .....	D7/384	D439,105 S	3/2001	Naft et al. ....	D7/386
D380,343 S	7/1997	Rorke .....	D7/384				

\* cited by examiner

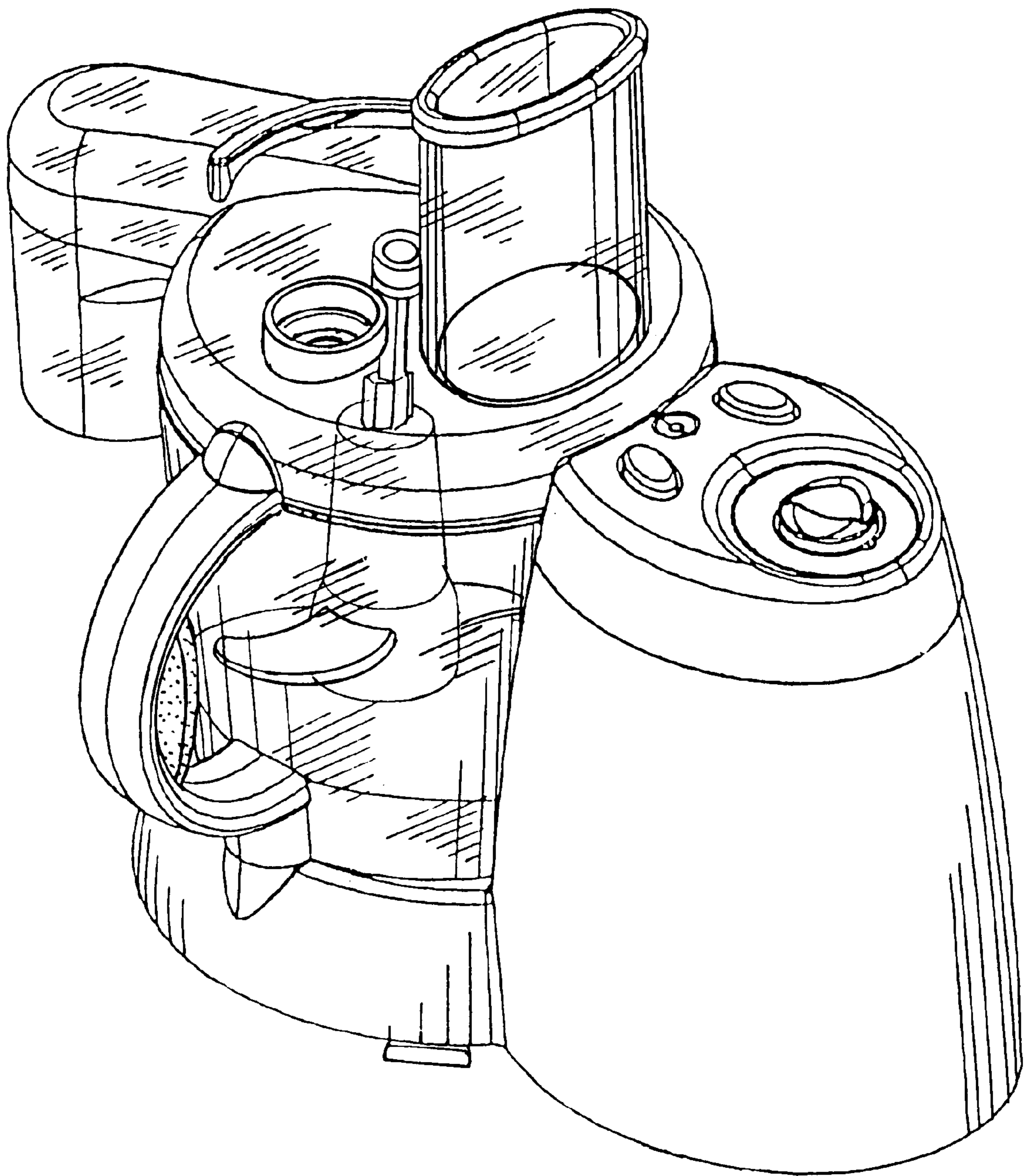


Fig. 1

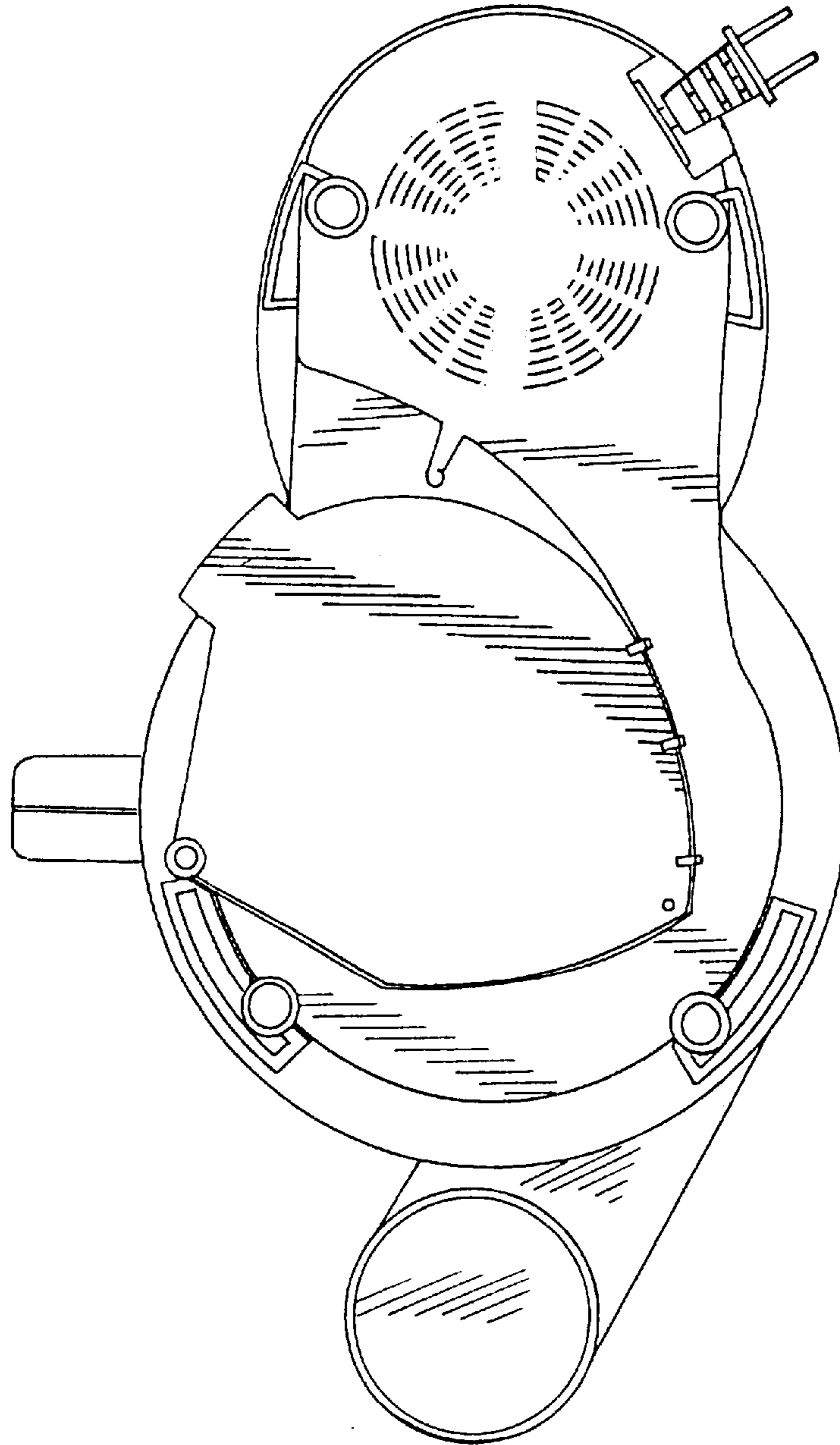


Fig. 2

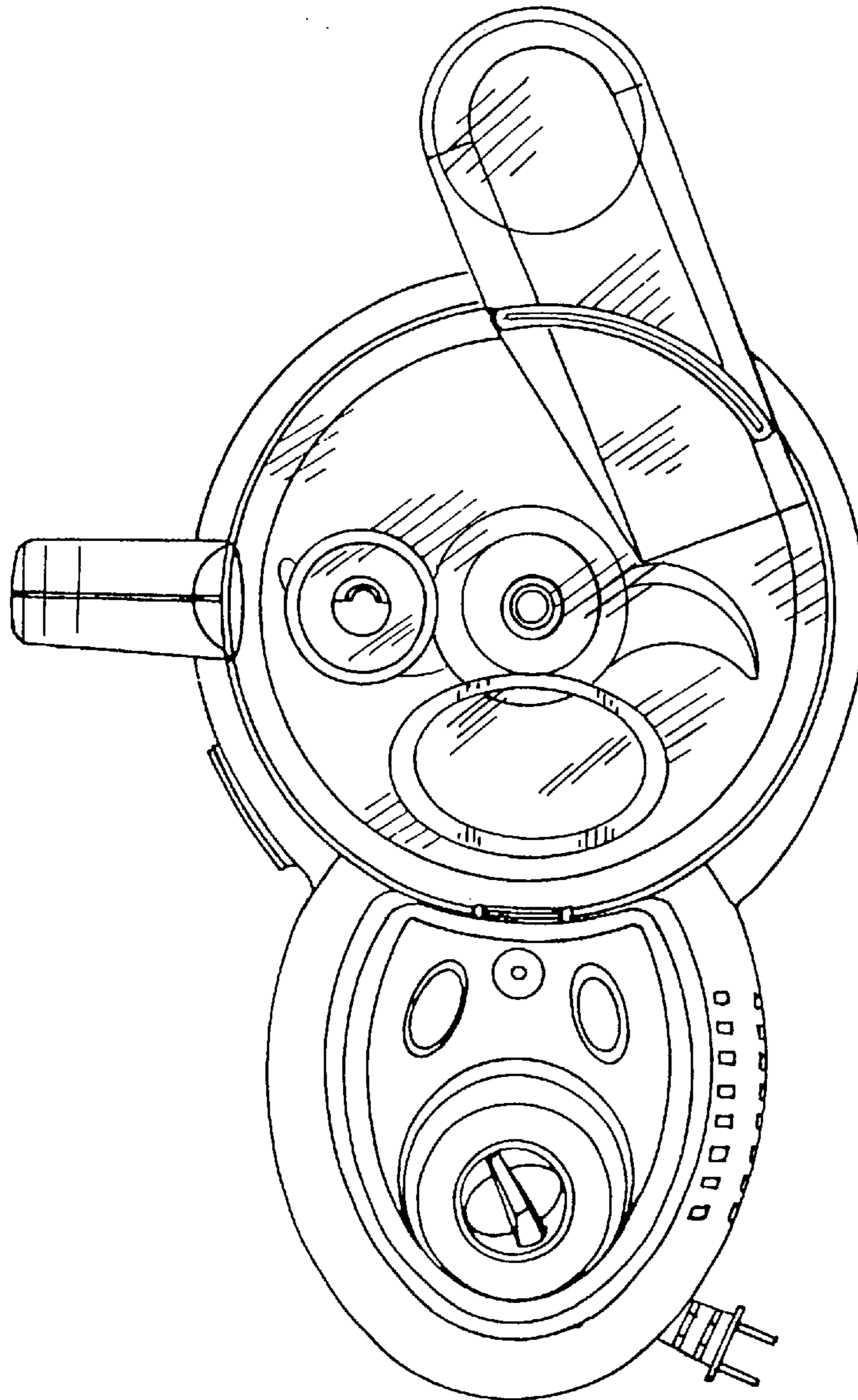


Fig. 3

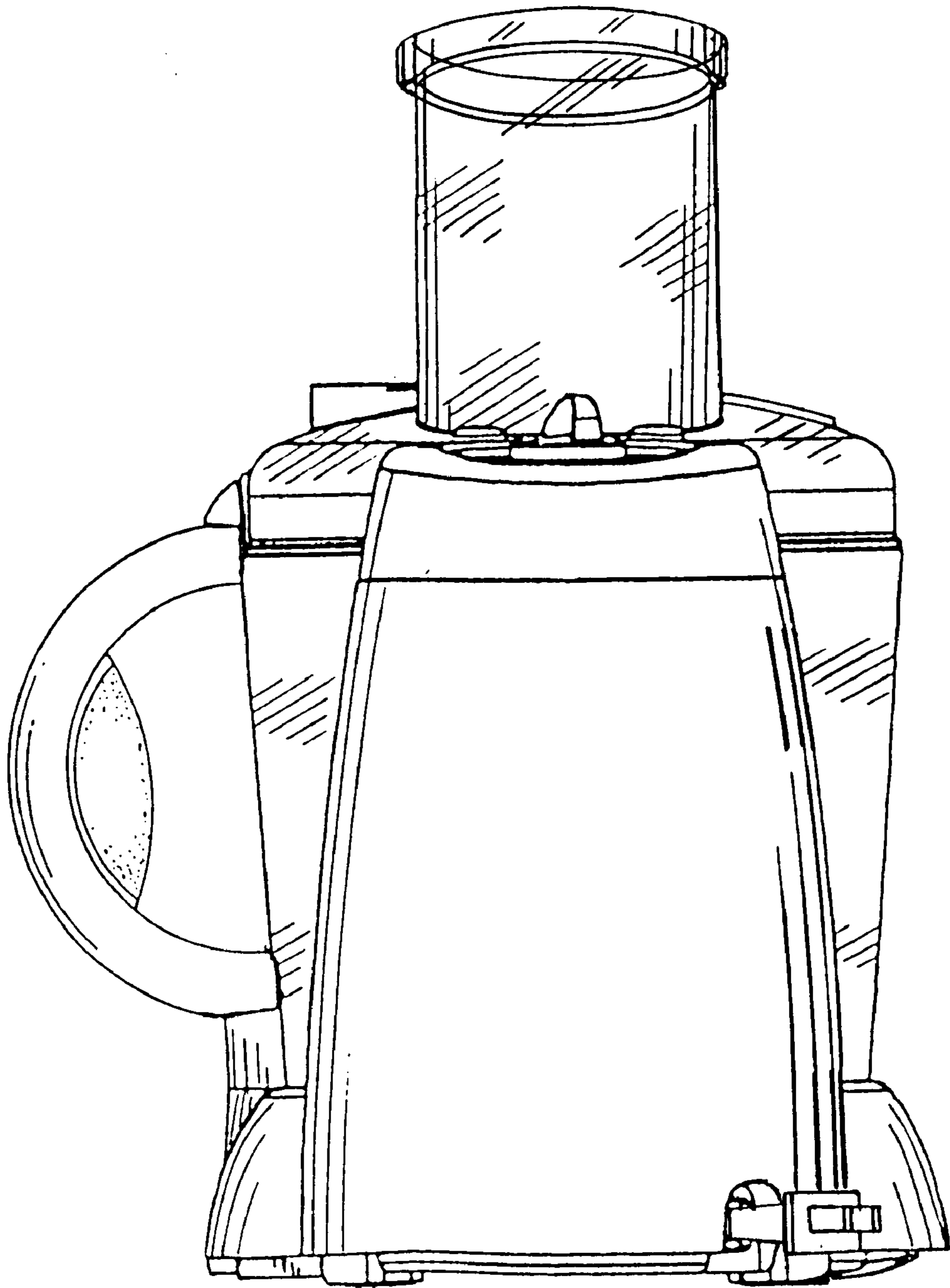


Fig. 4

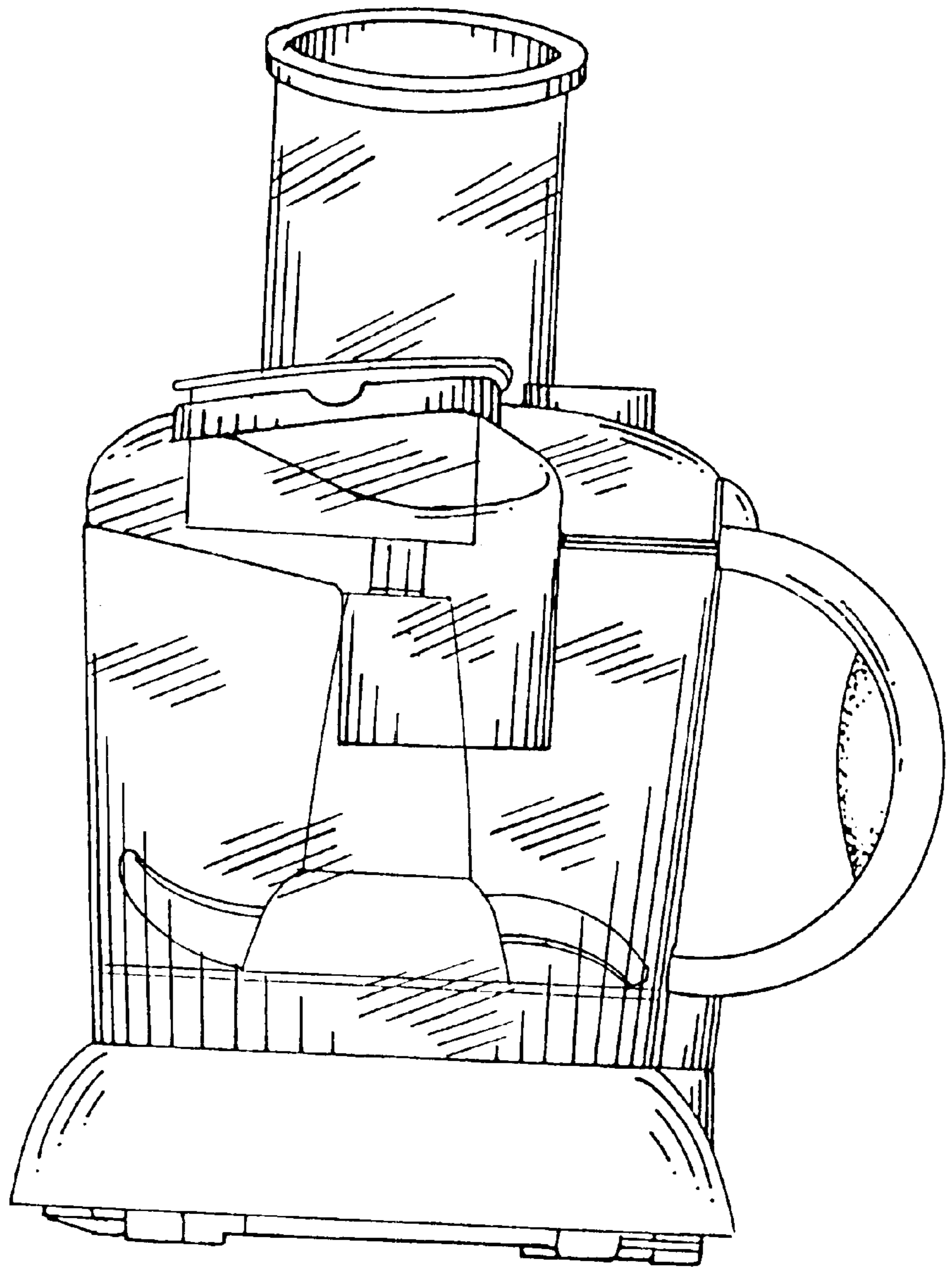


Fig. 5

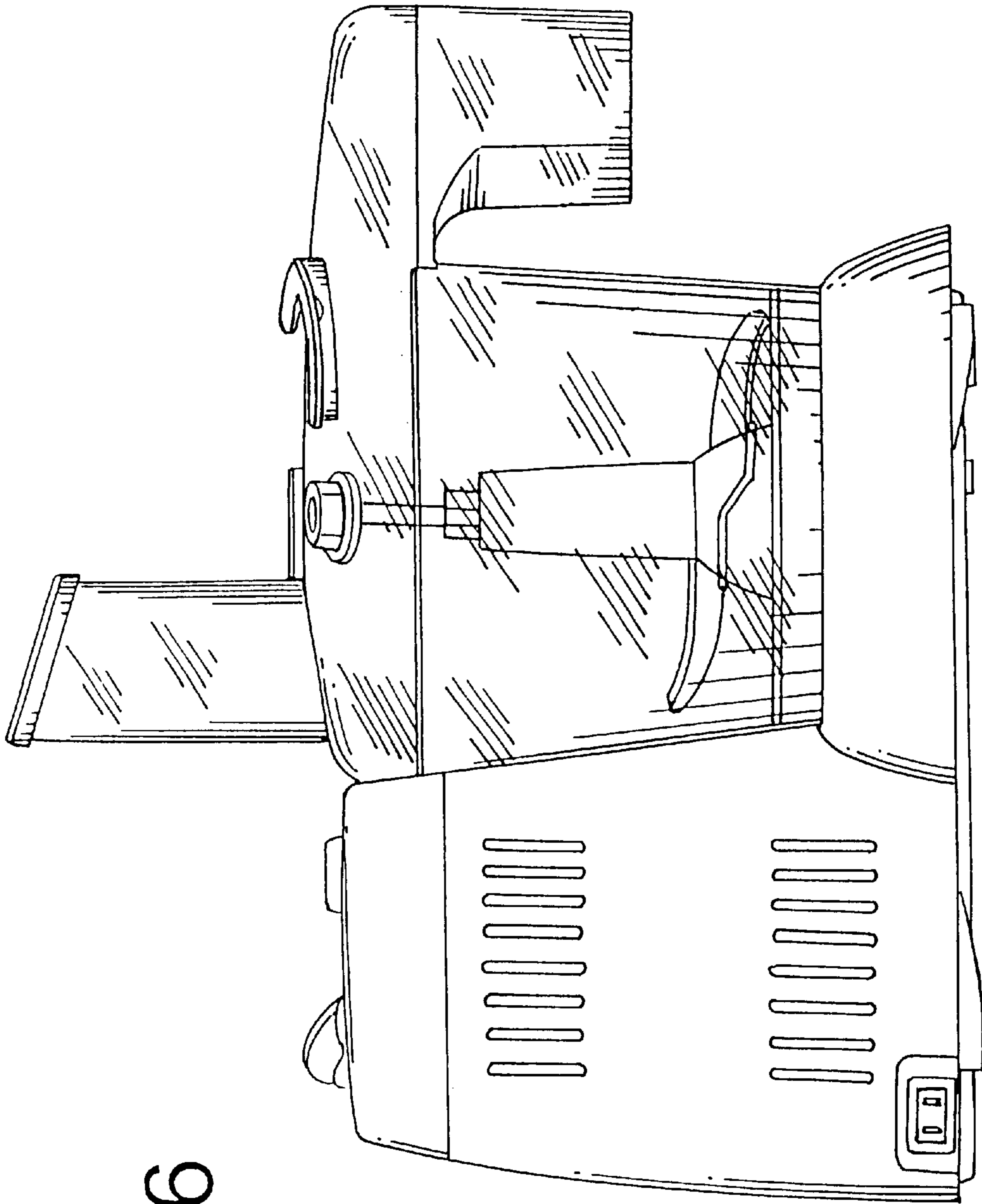


Fig. 6



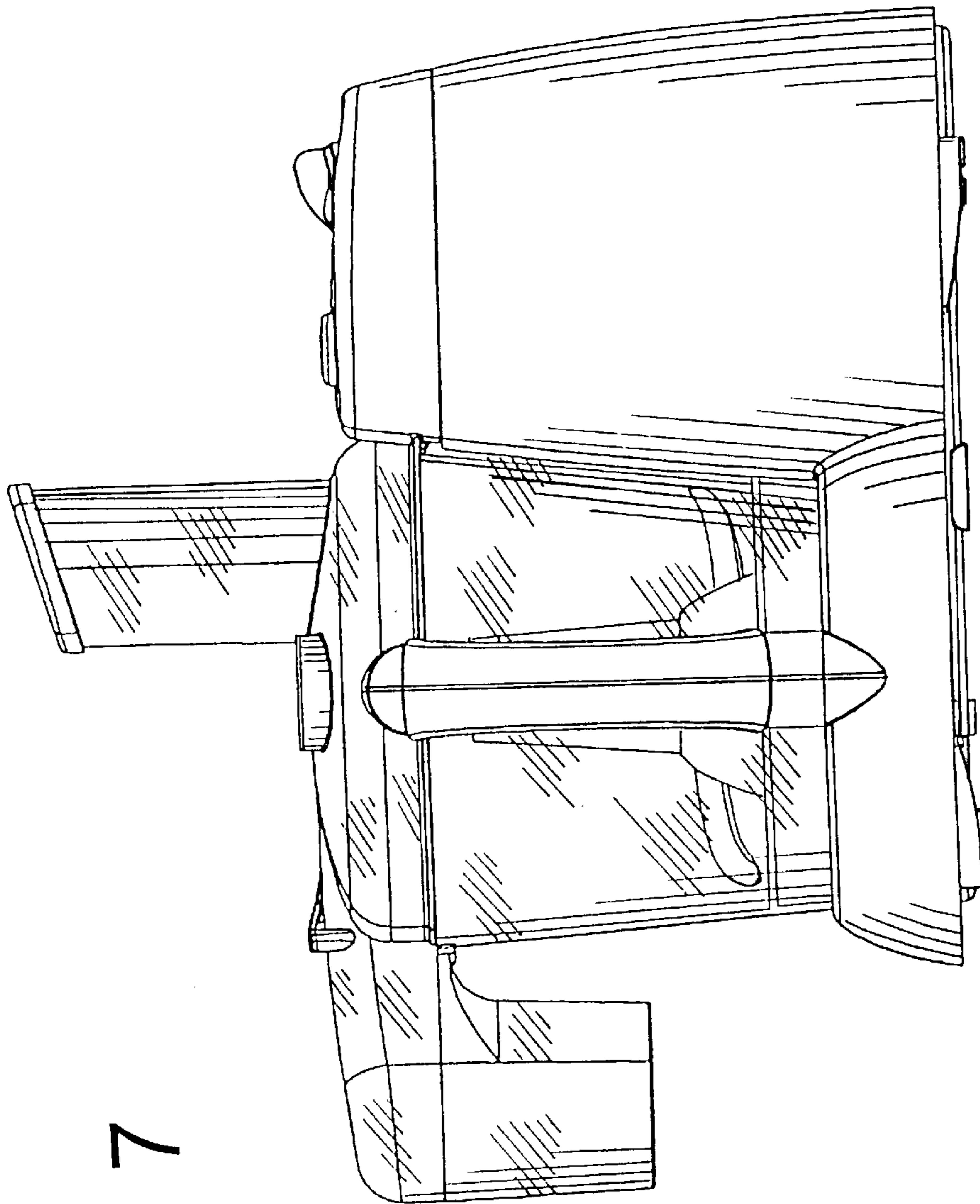


Fig. 7

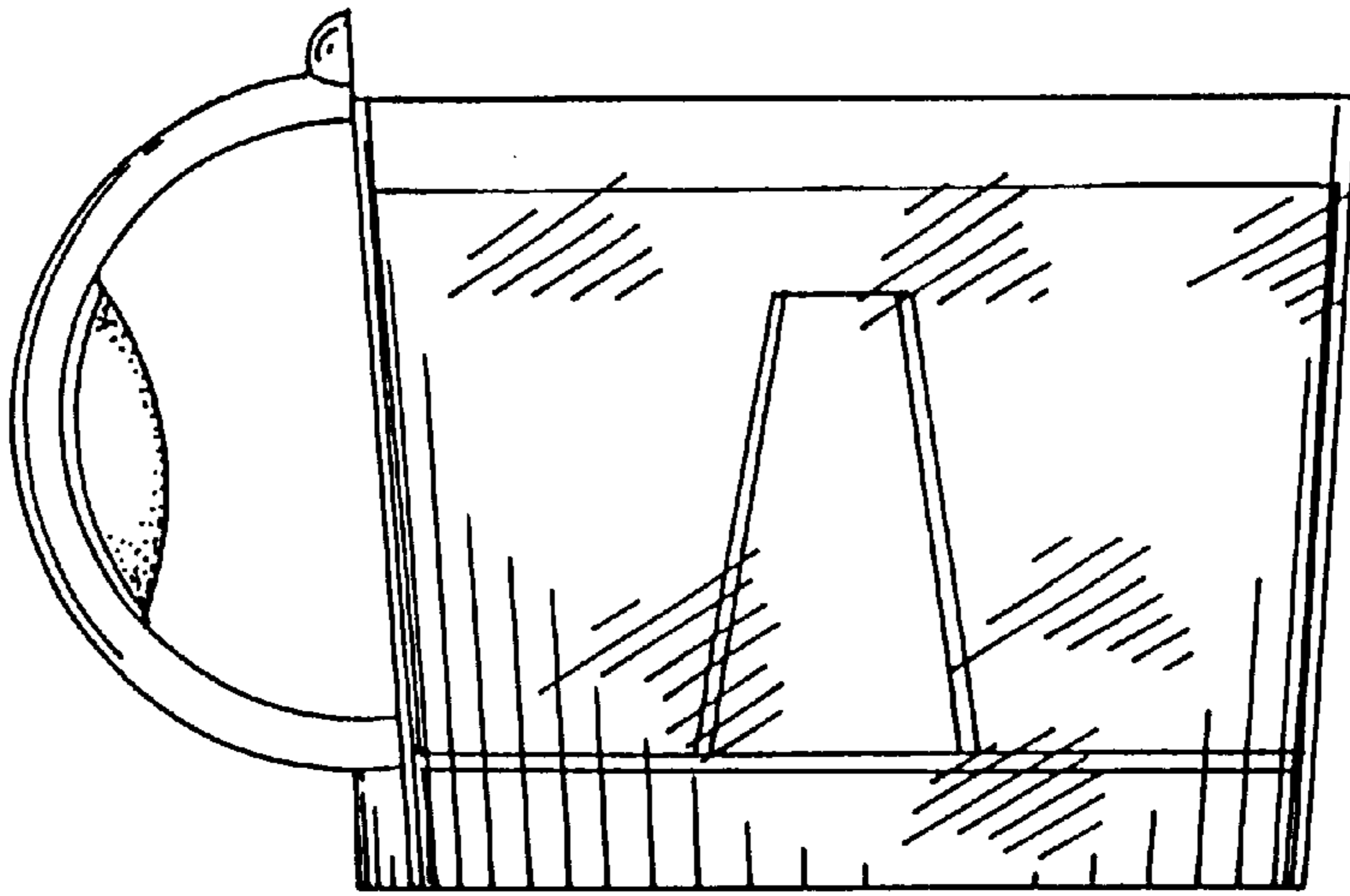


Fig. 8

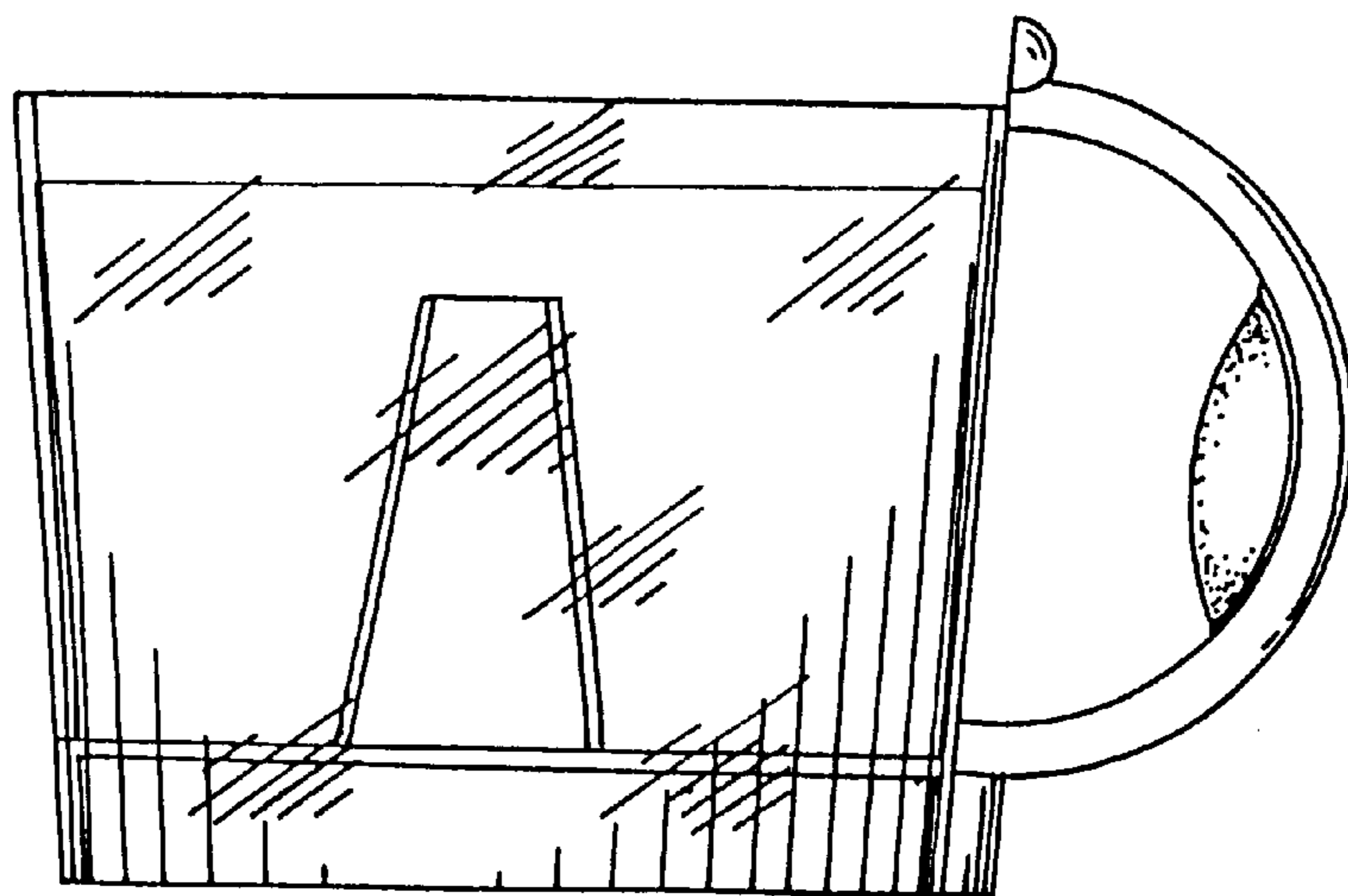


Fig. 9

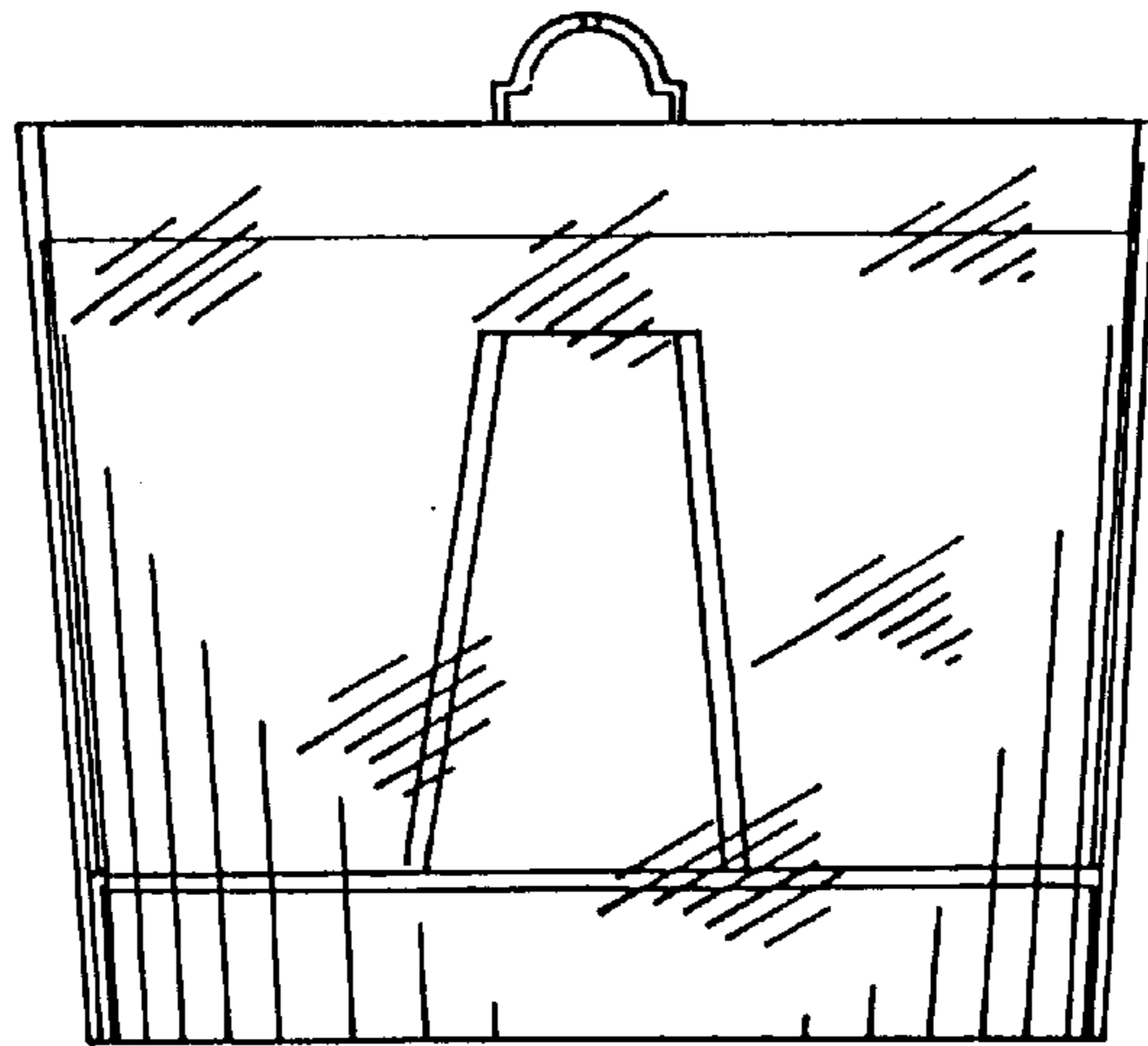


Fig. 10

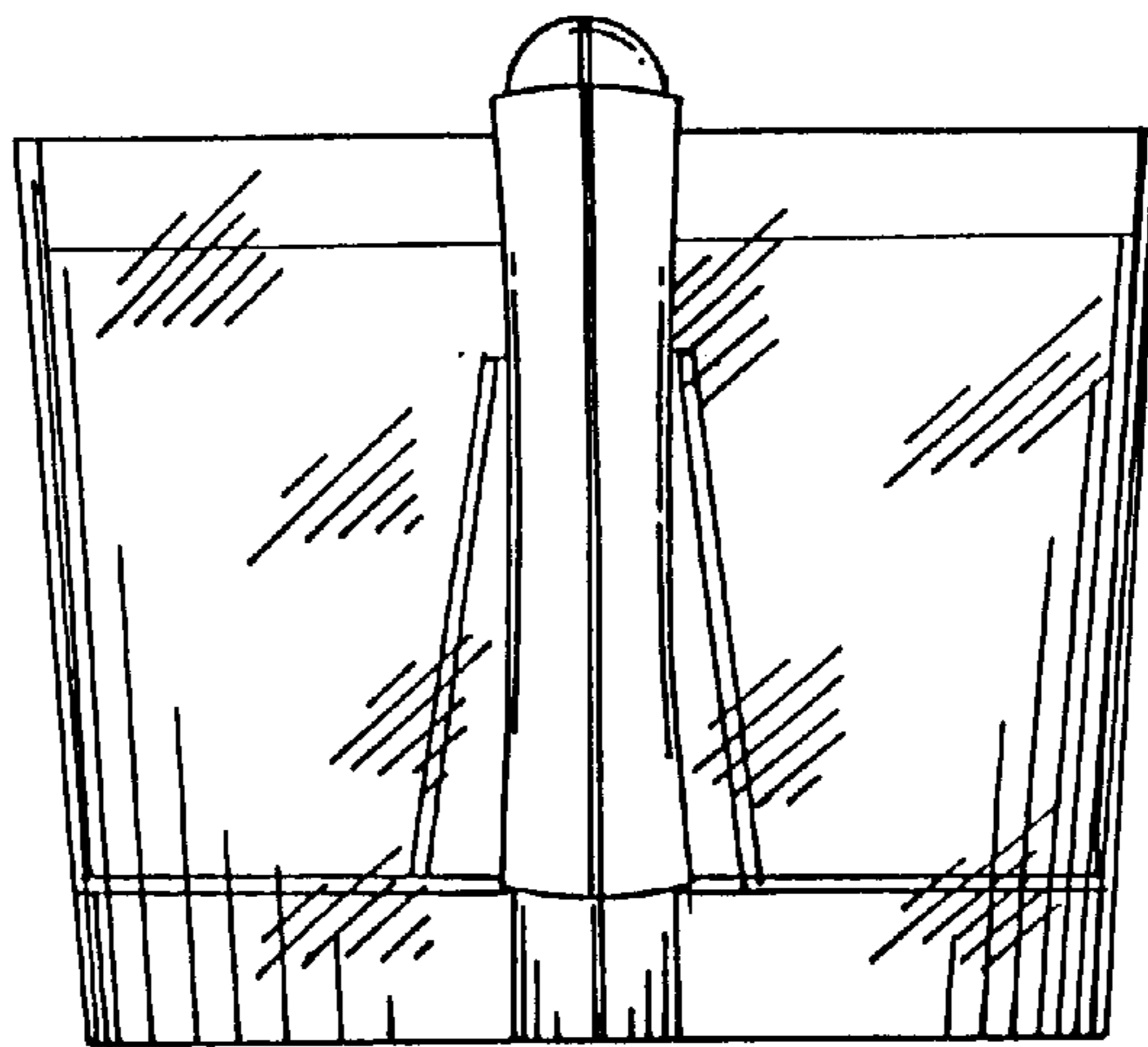


Fig. 11

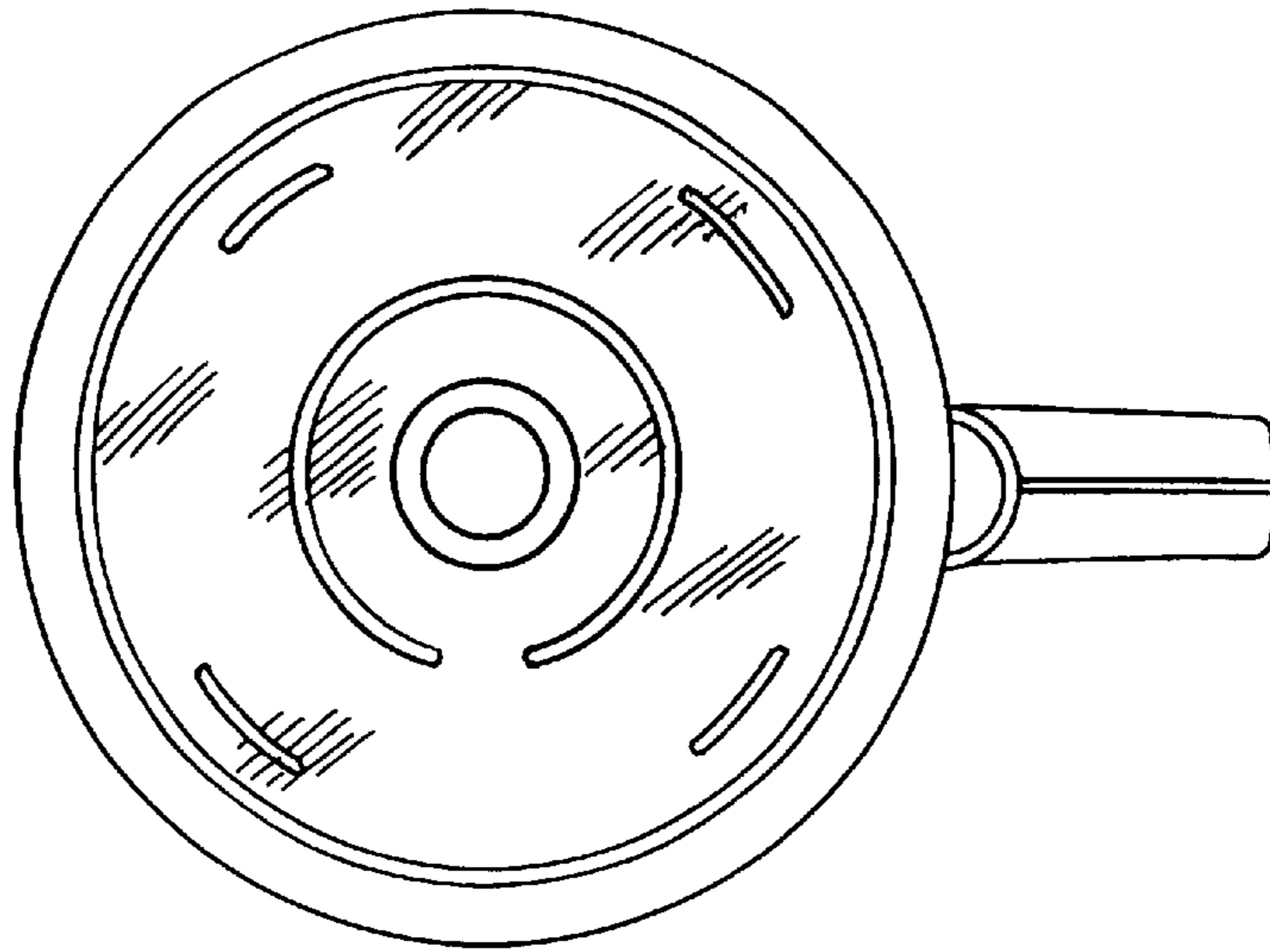


Fig. 12

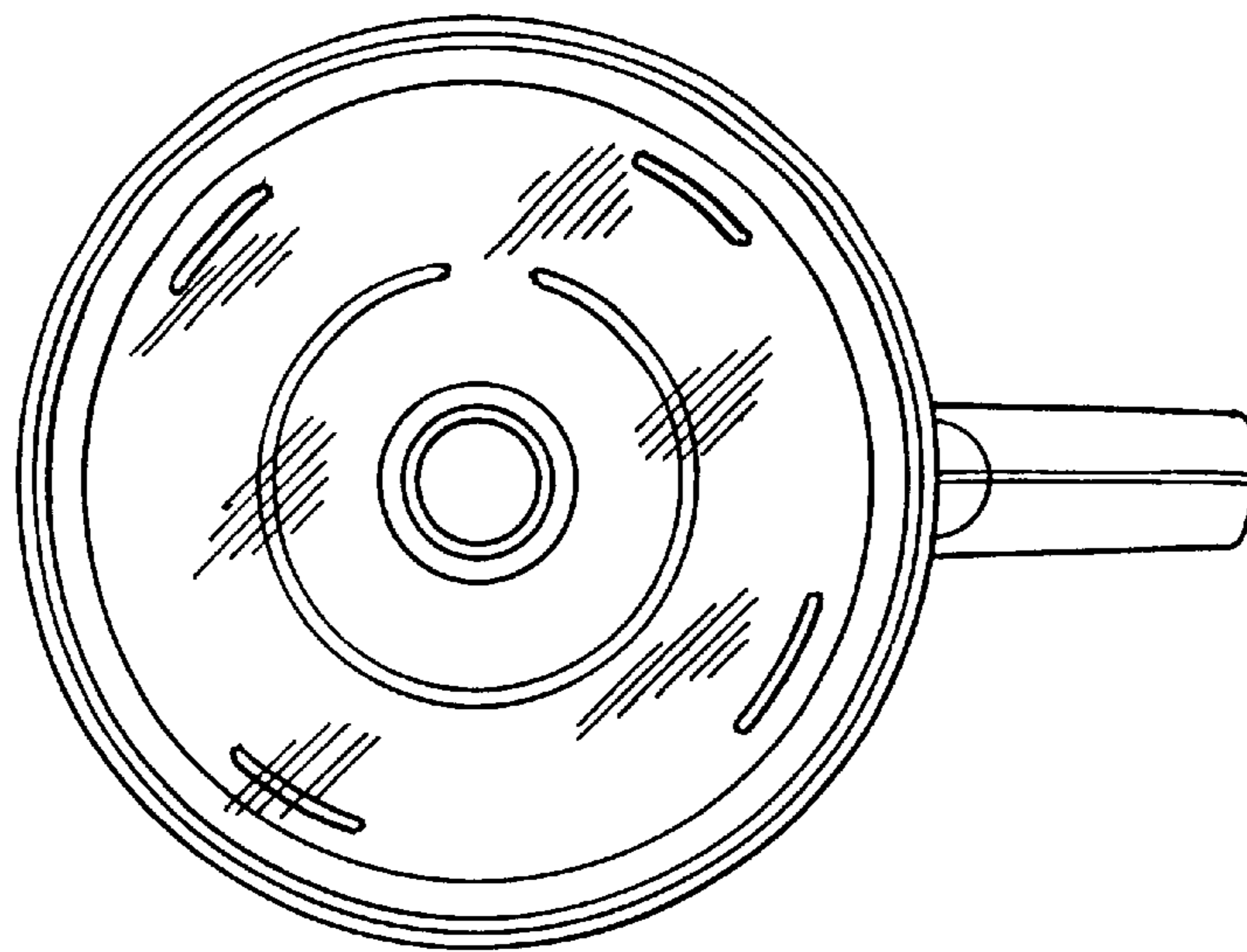


Fig. 13

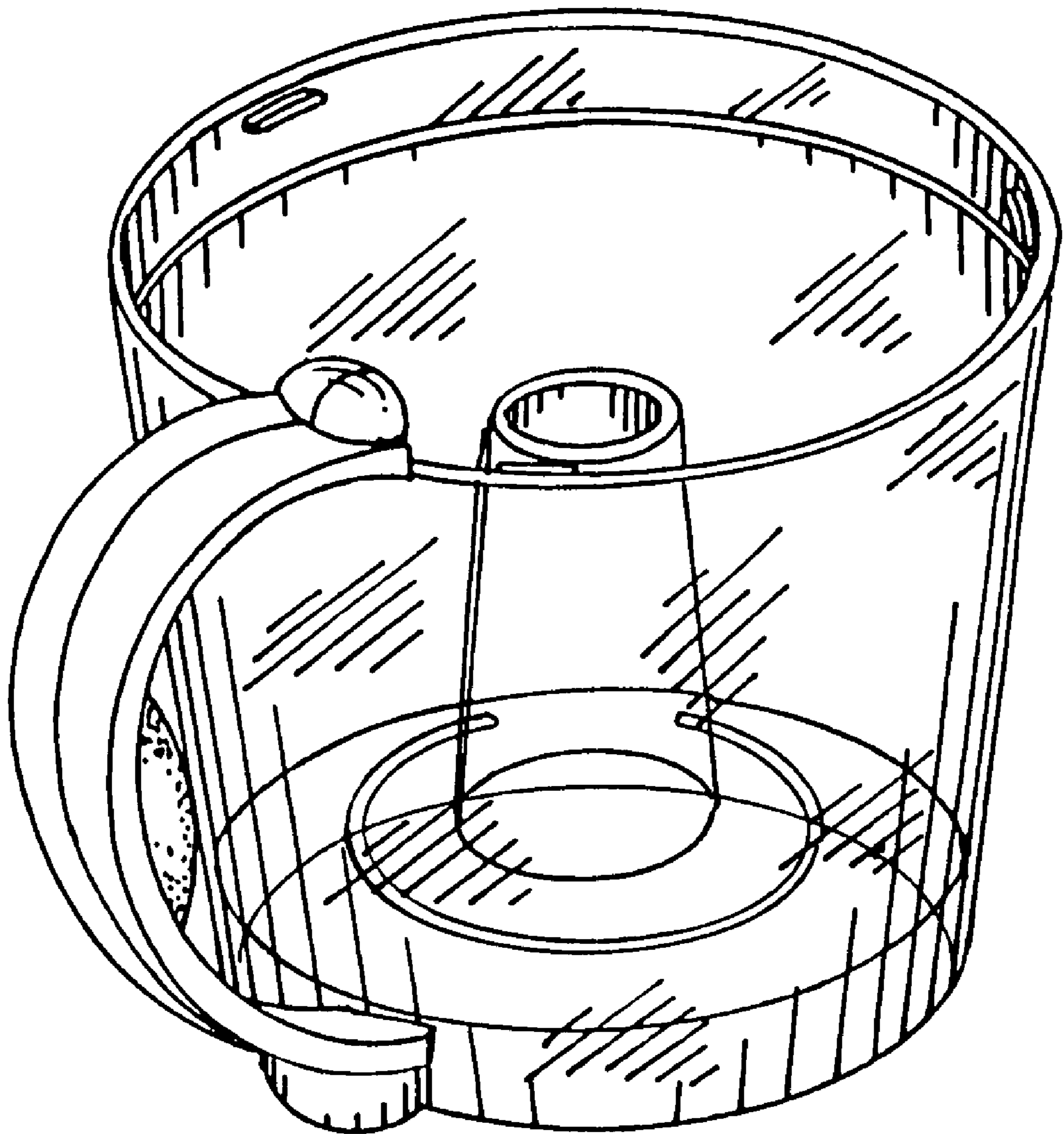


Fig. 14

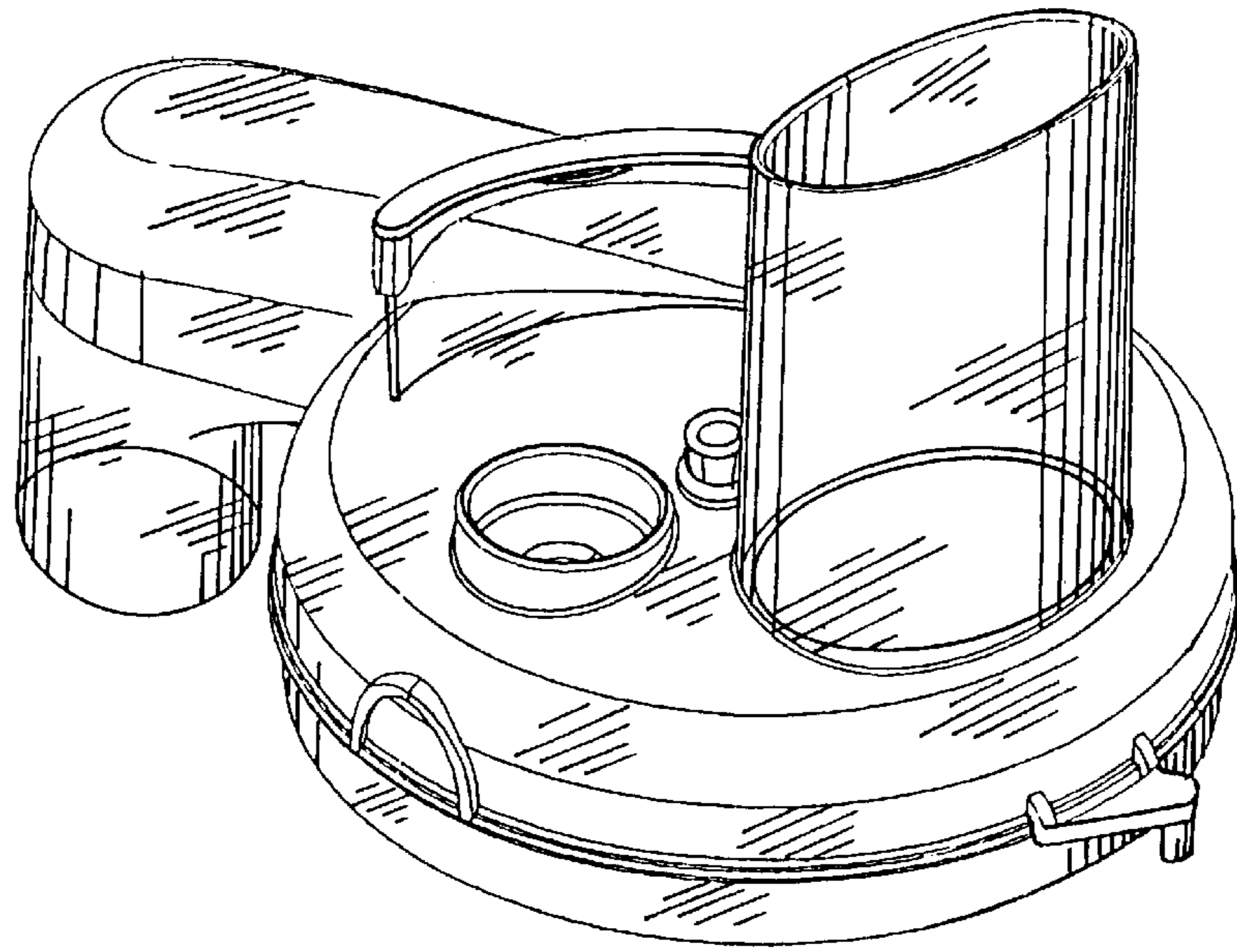


Fig. 15

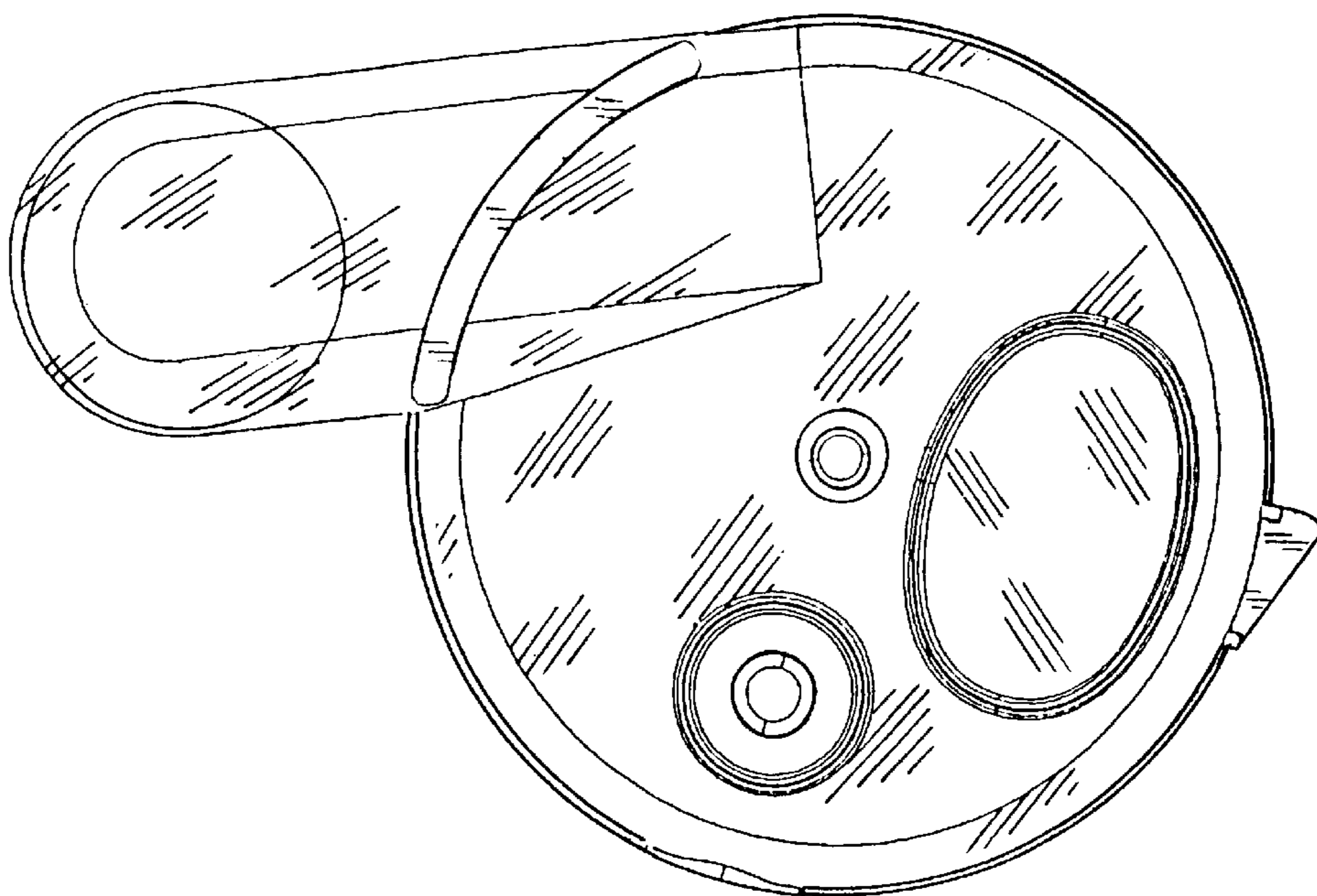


Fig. 16

Fig. 17

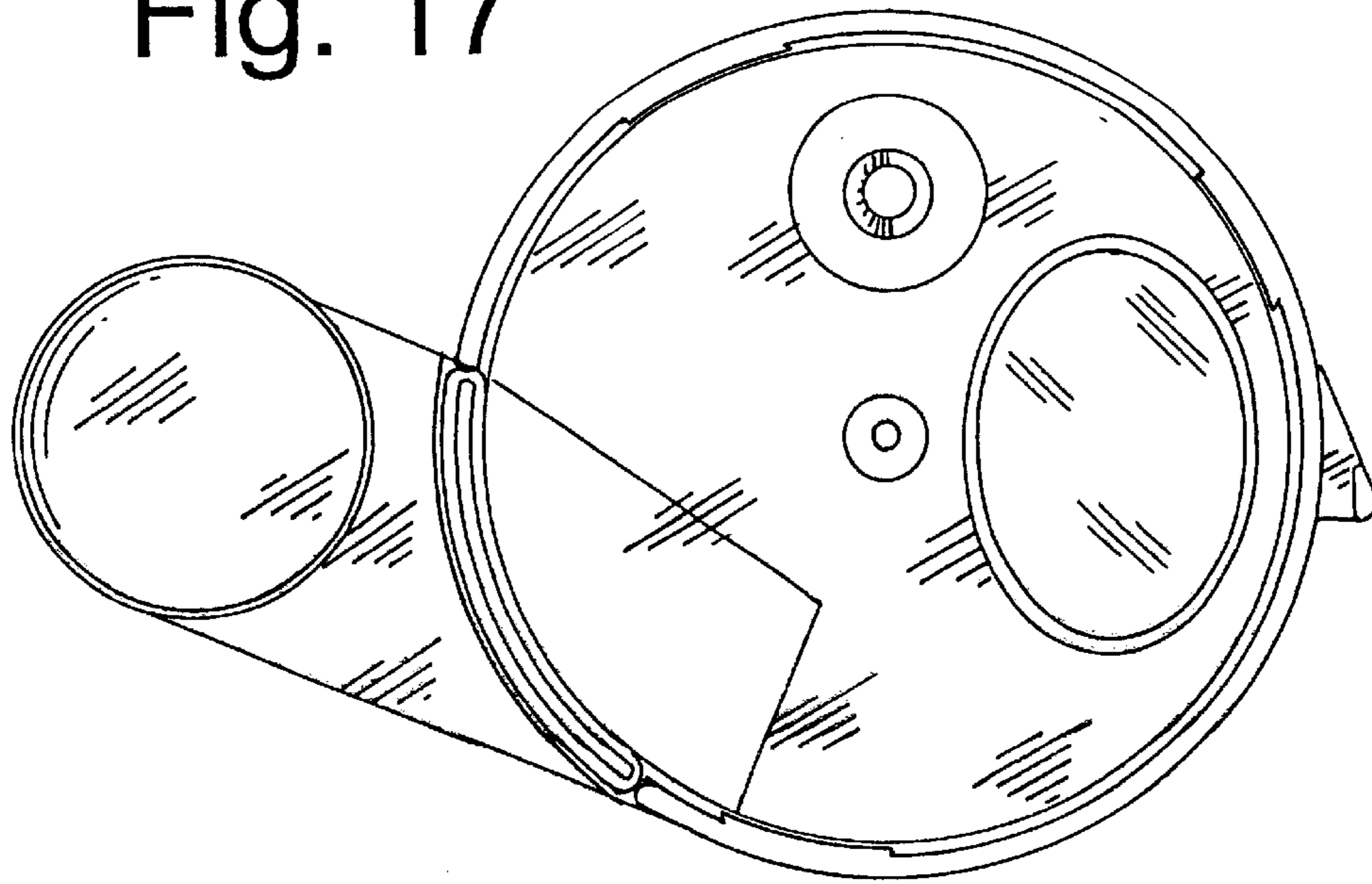
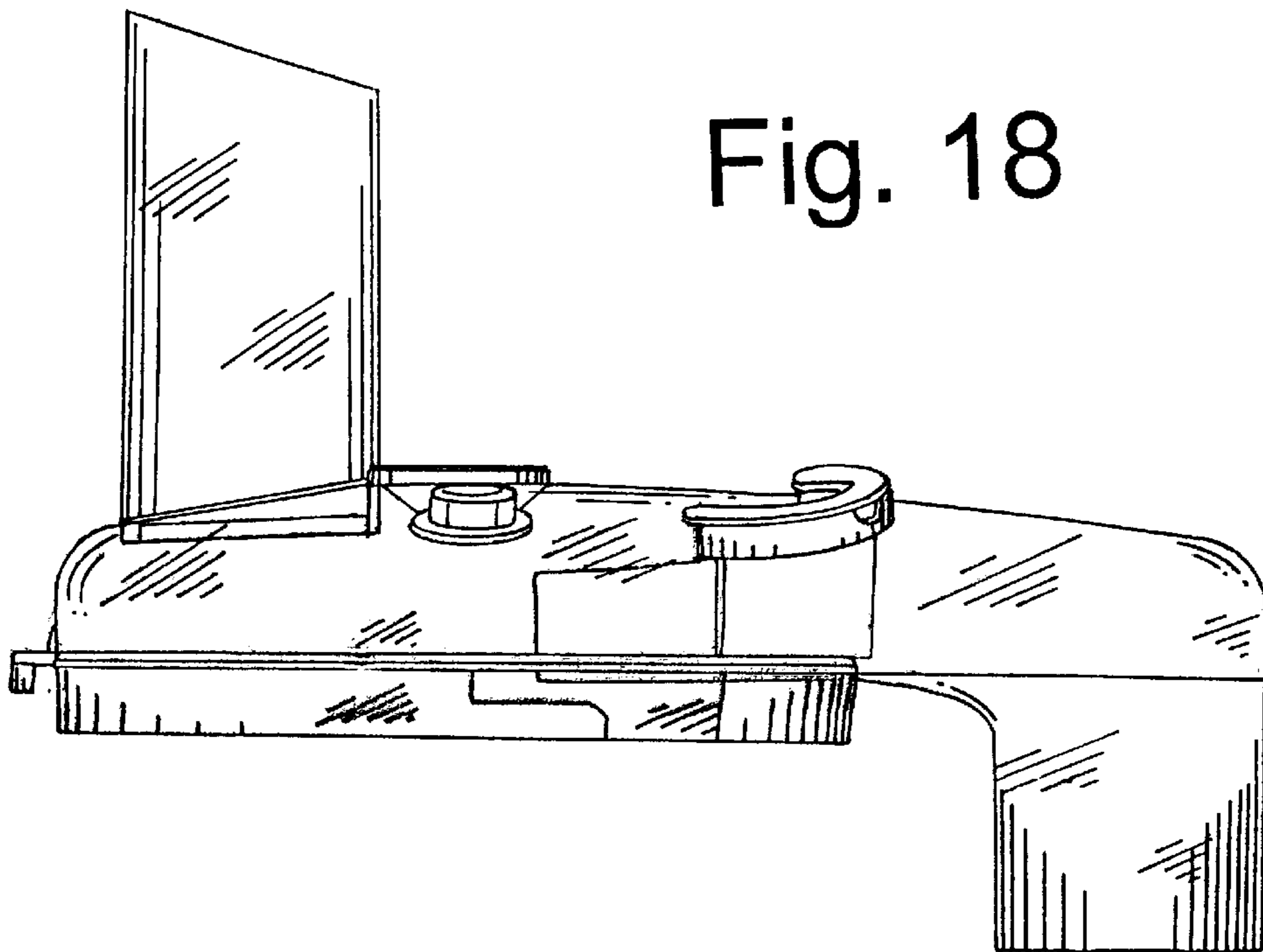


Fig. 18



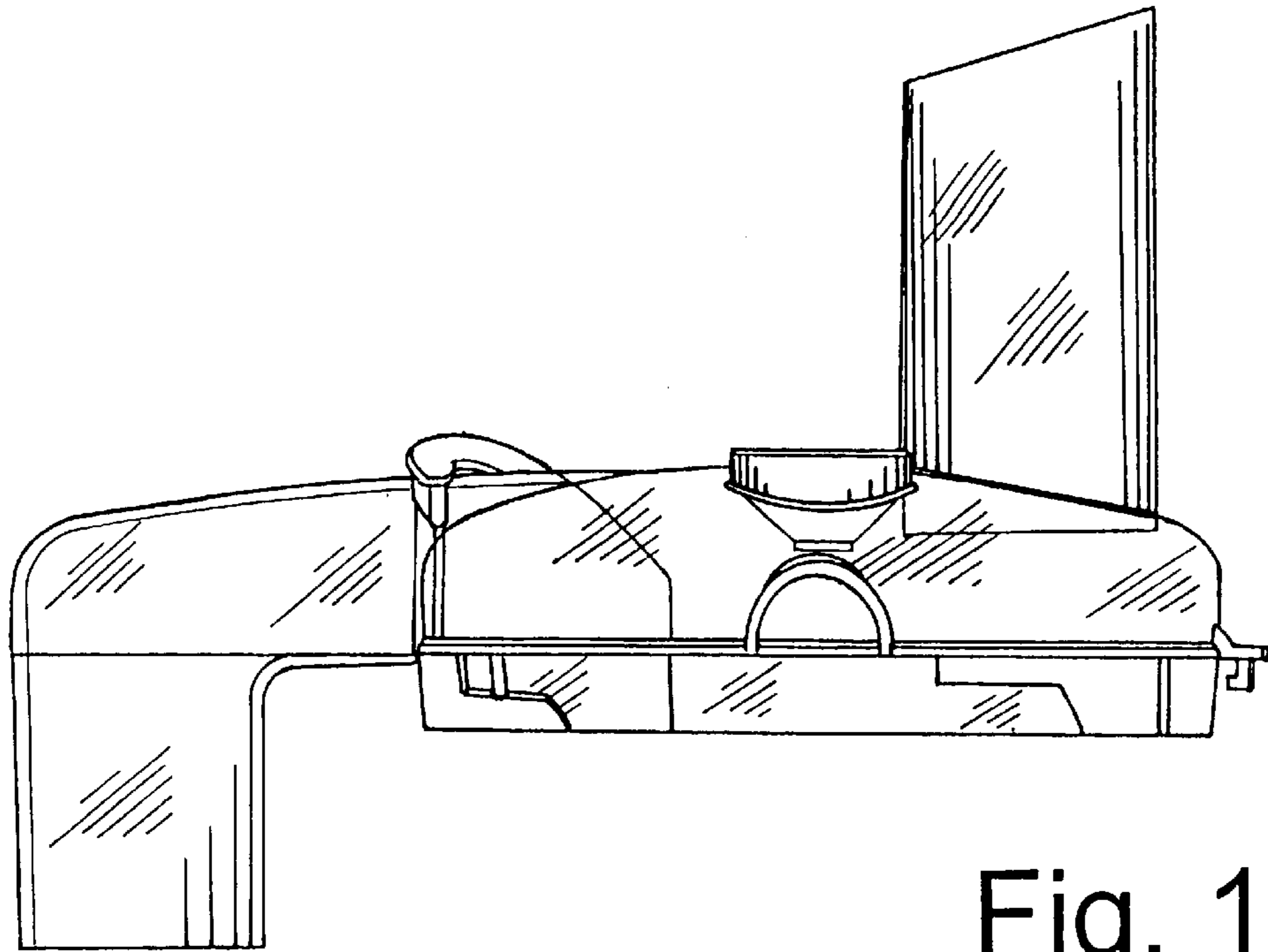


Fig. 19

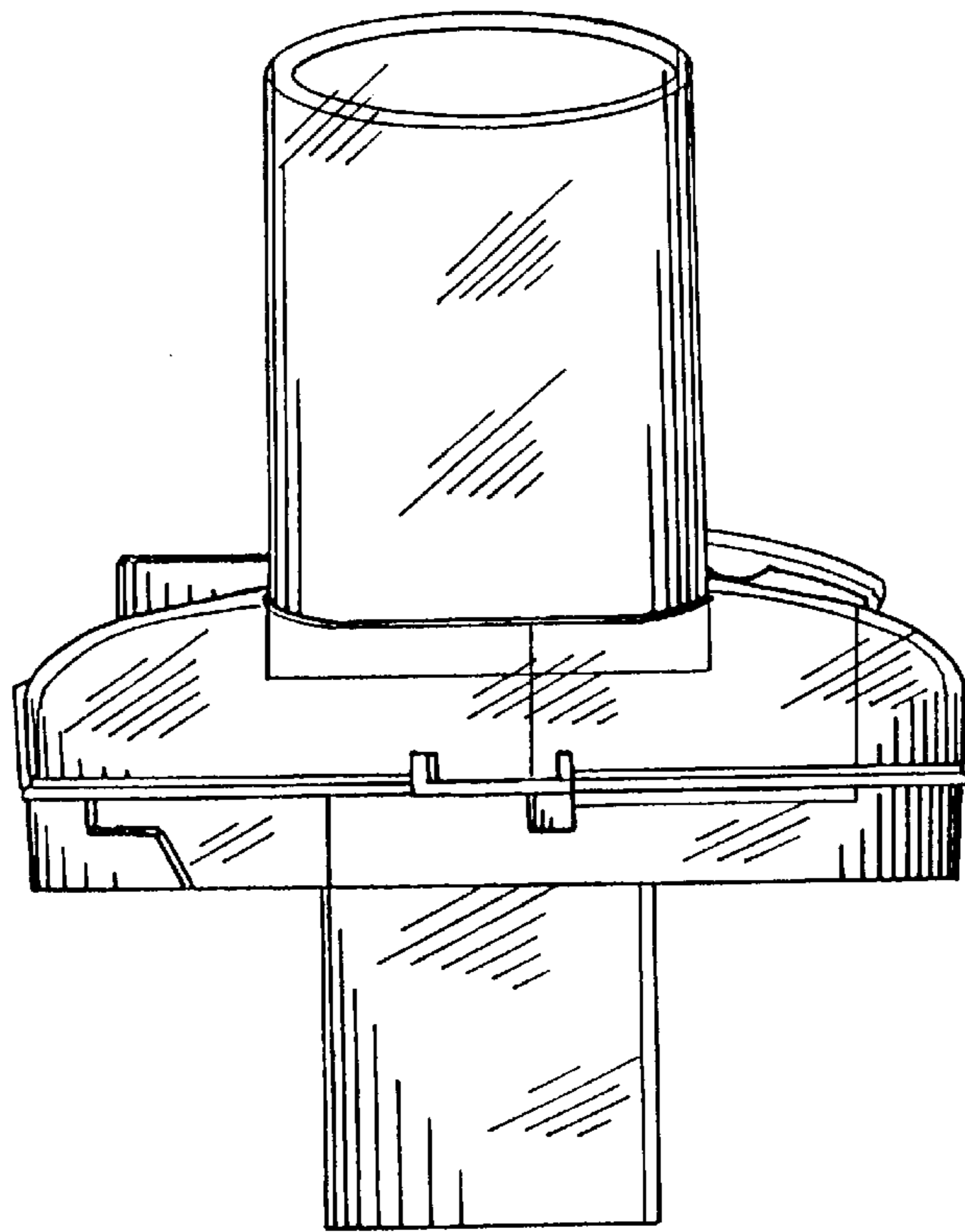


Fig. 20



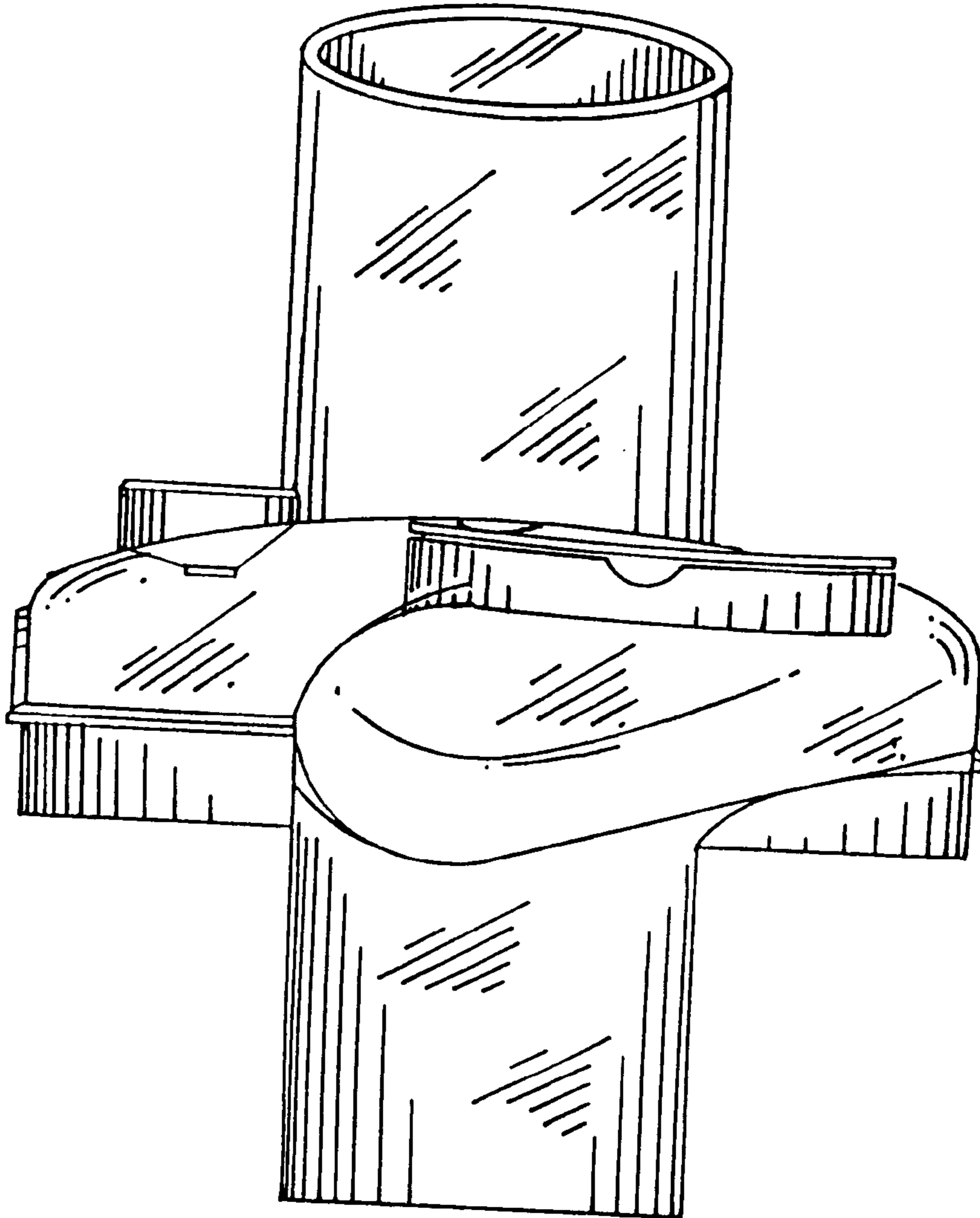


Fig. 21

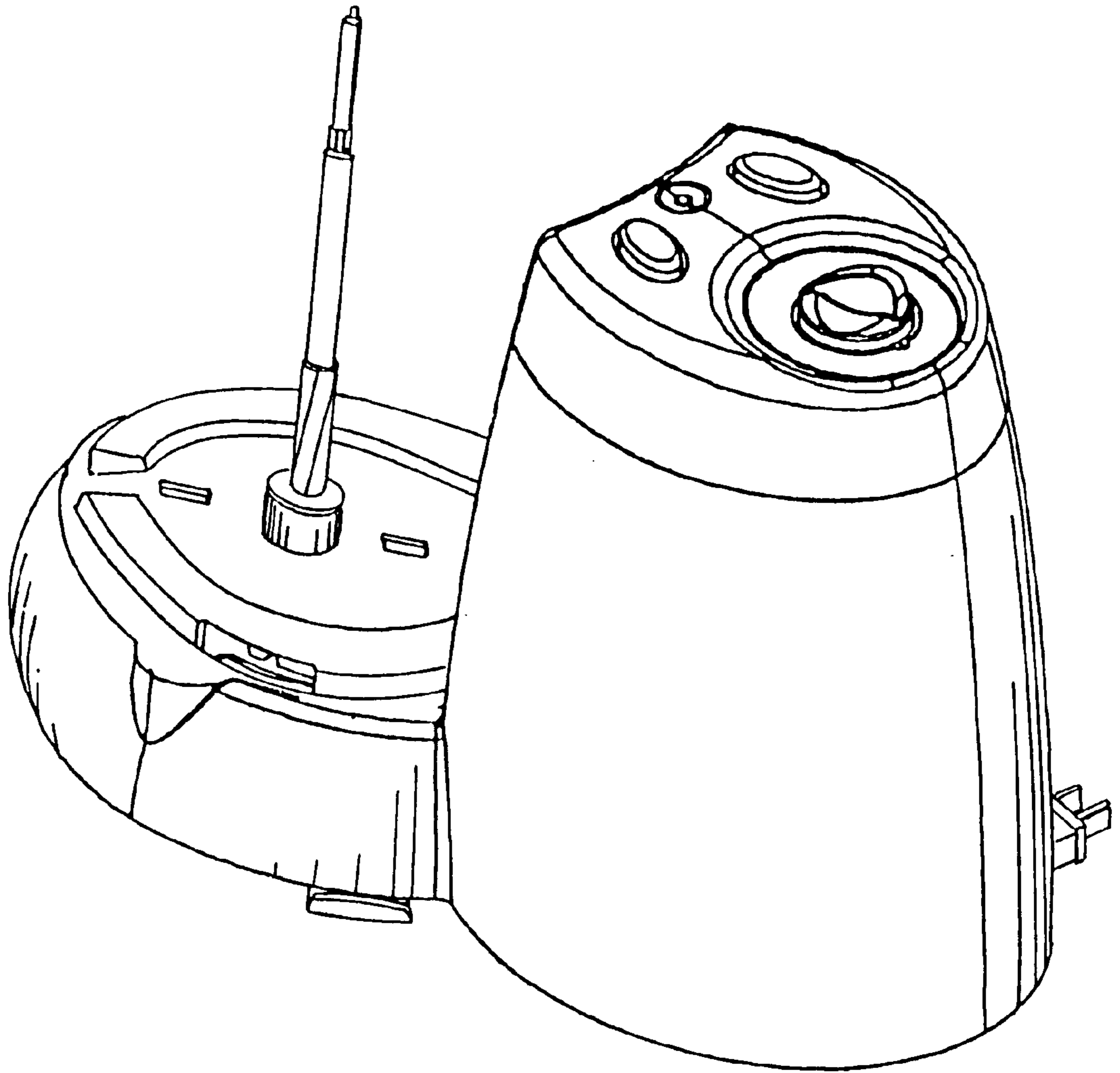


Fig. 22

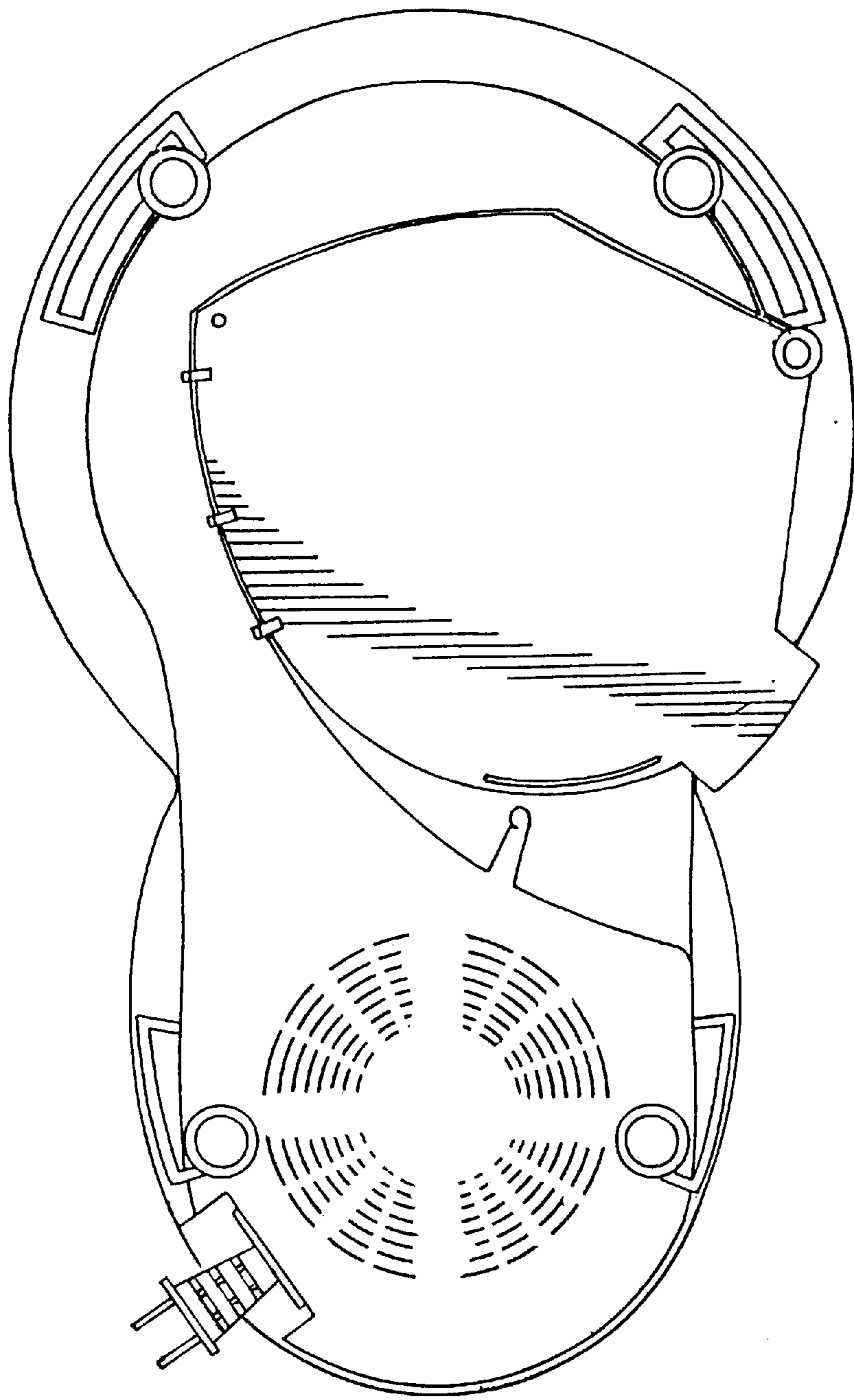


Fig. 23

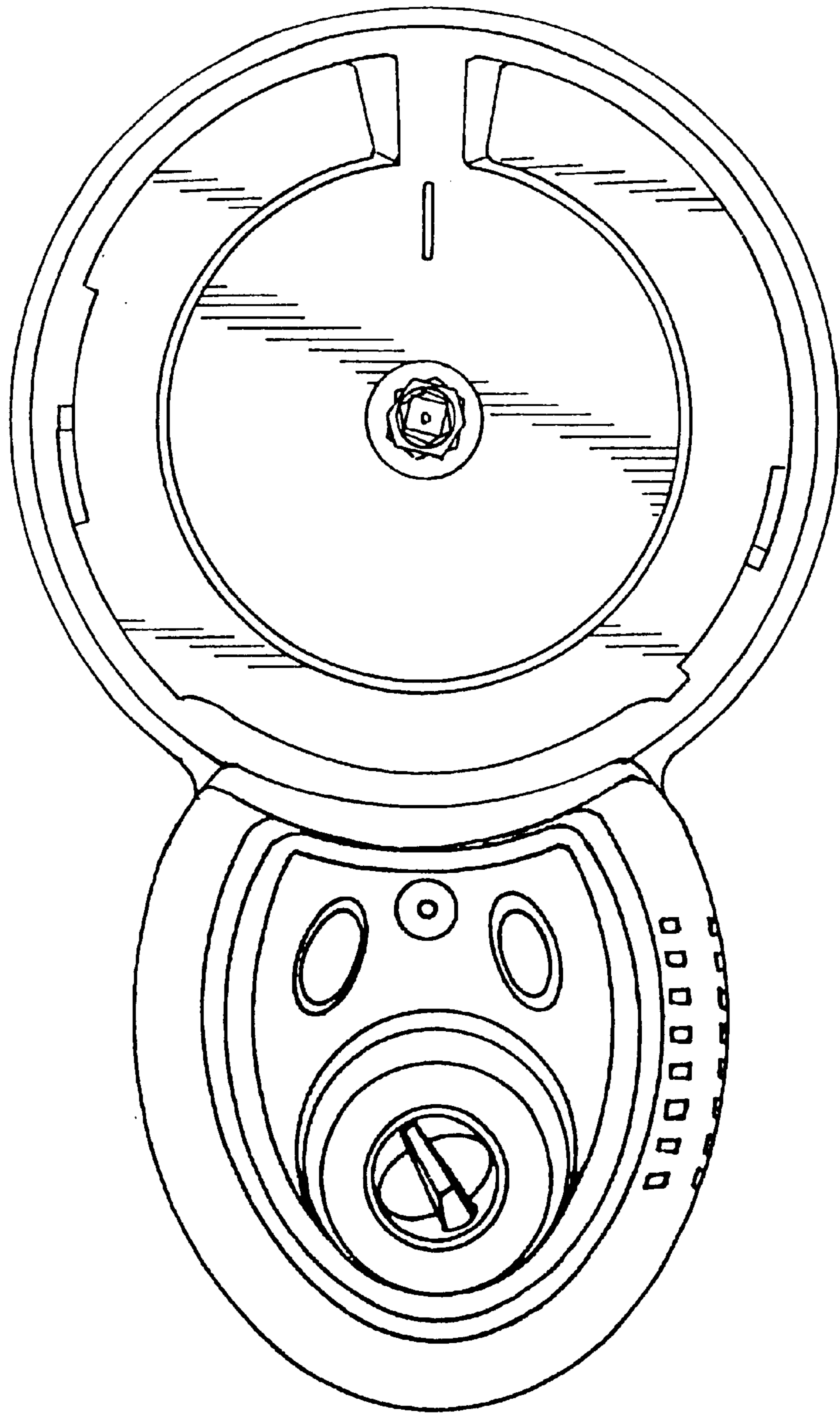


Fig. 24

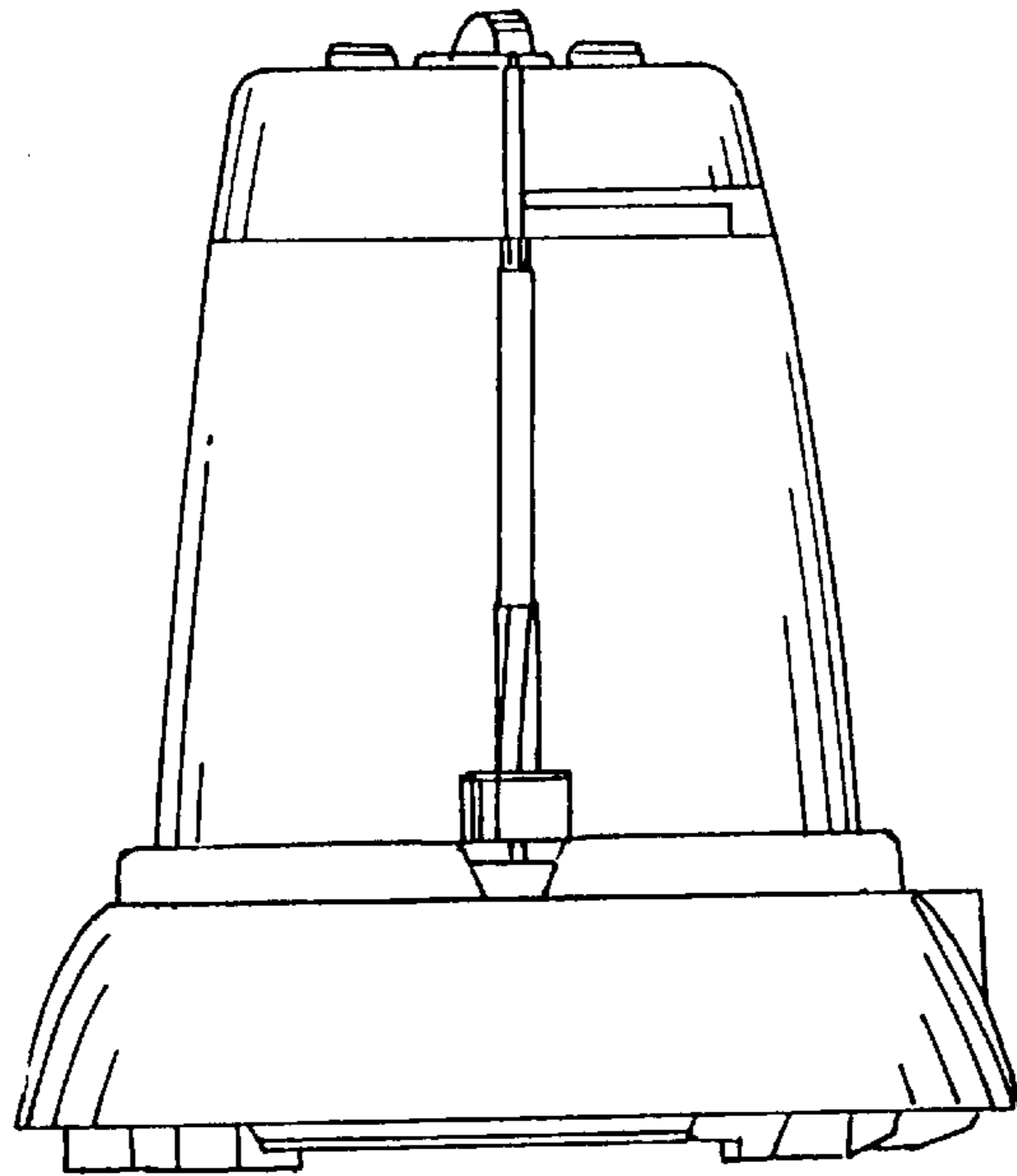


Fig. 25

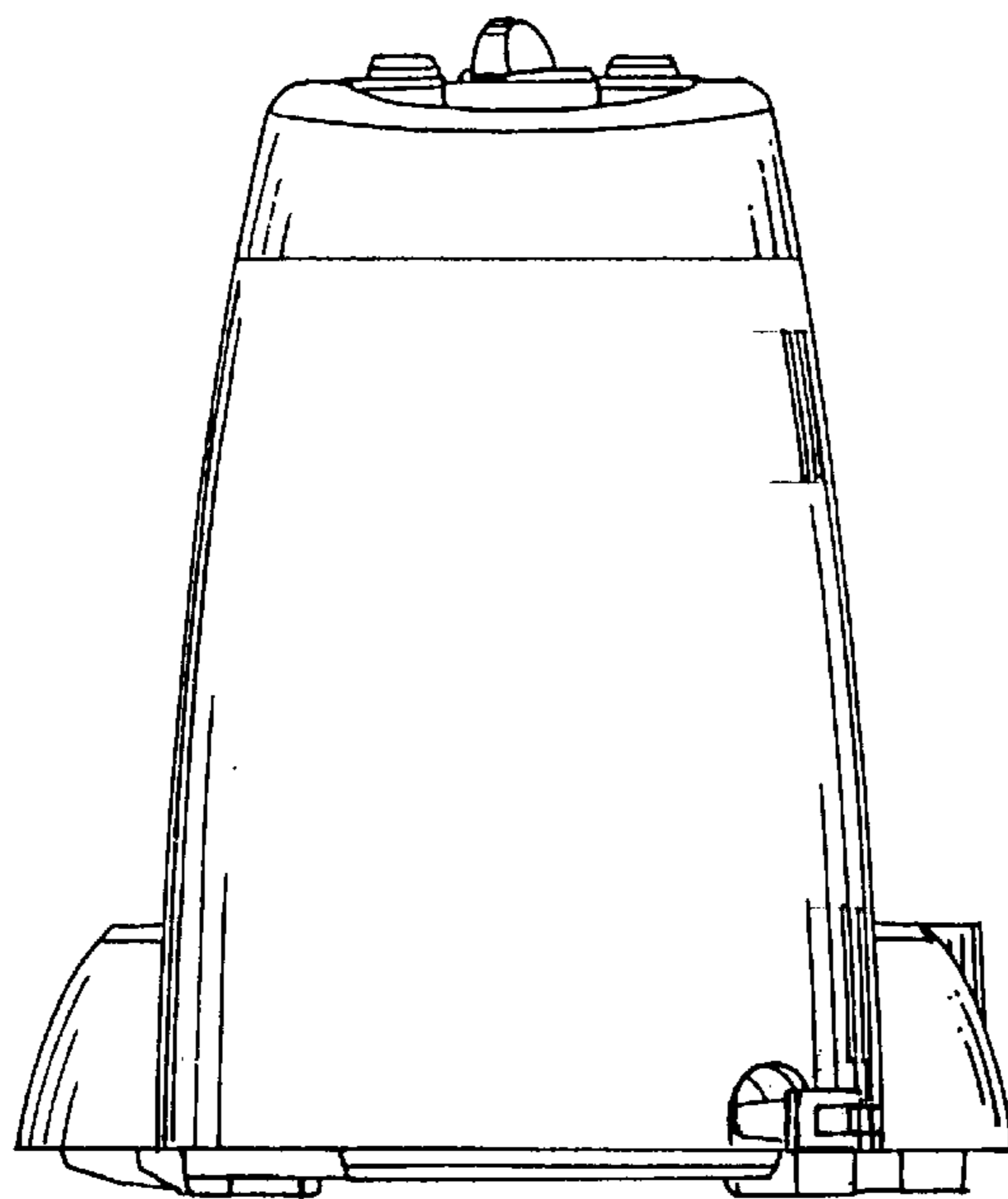
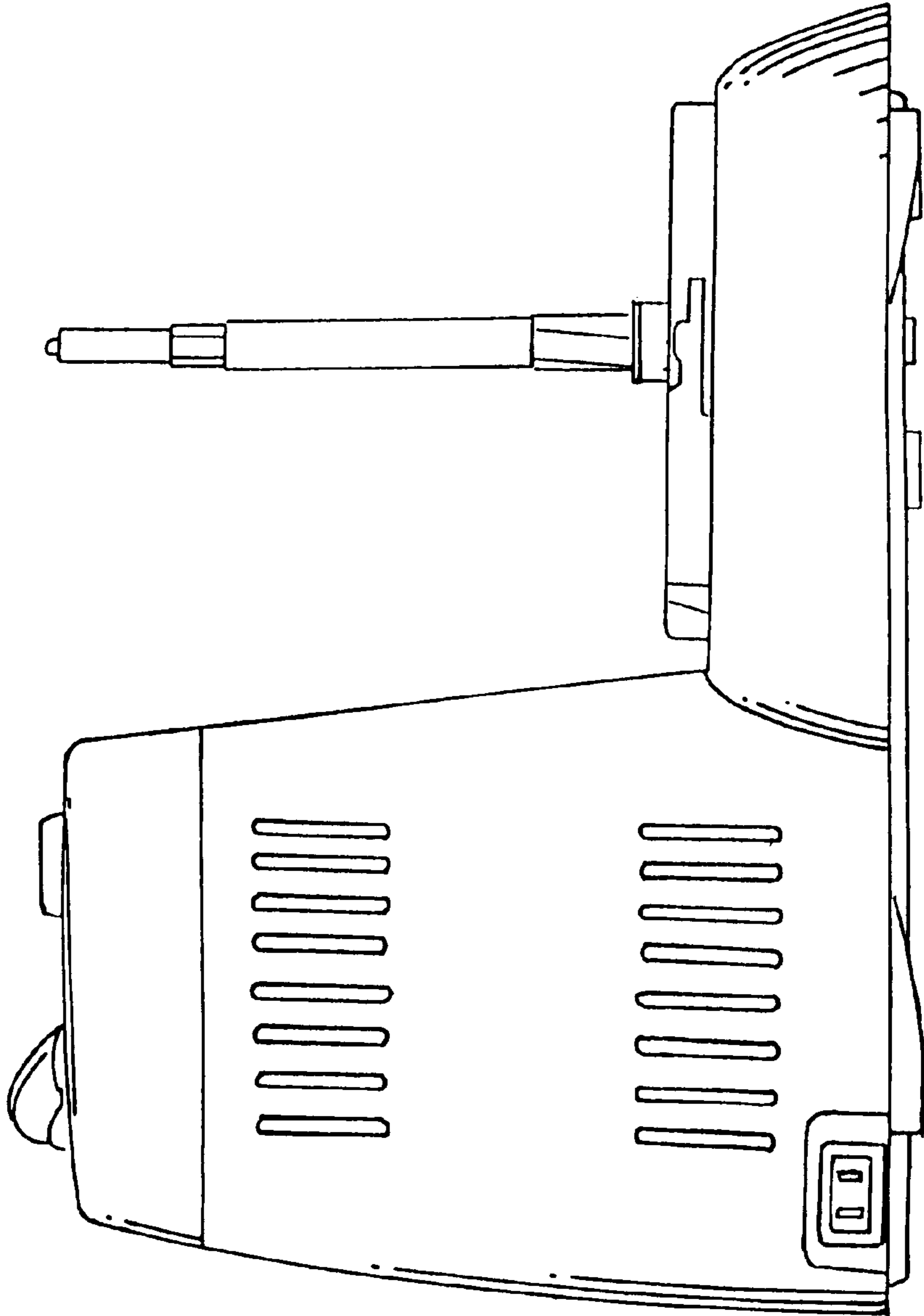


Fig. 26

Fig. 27



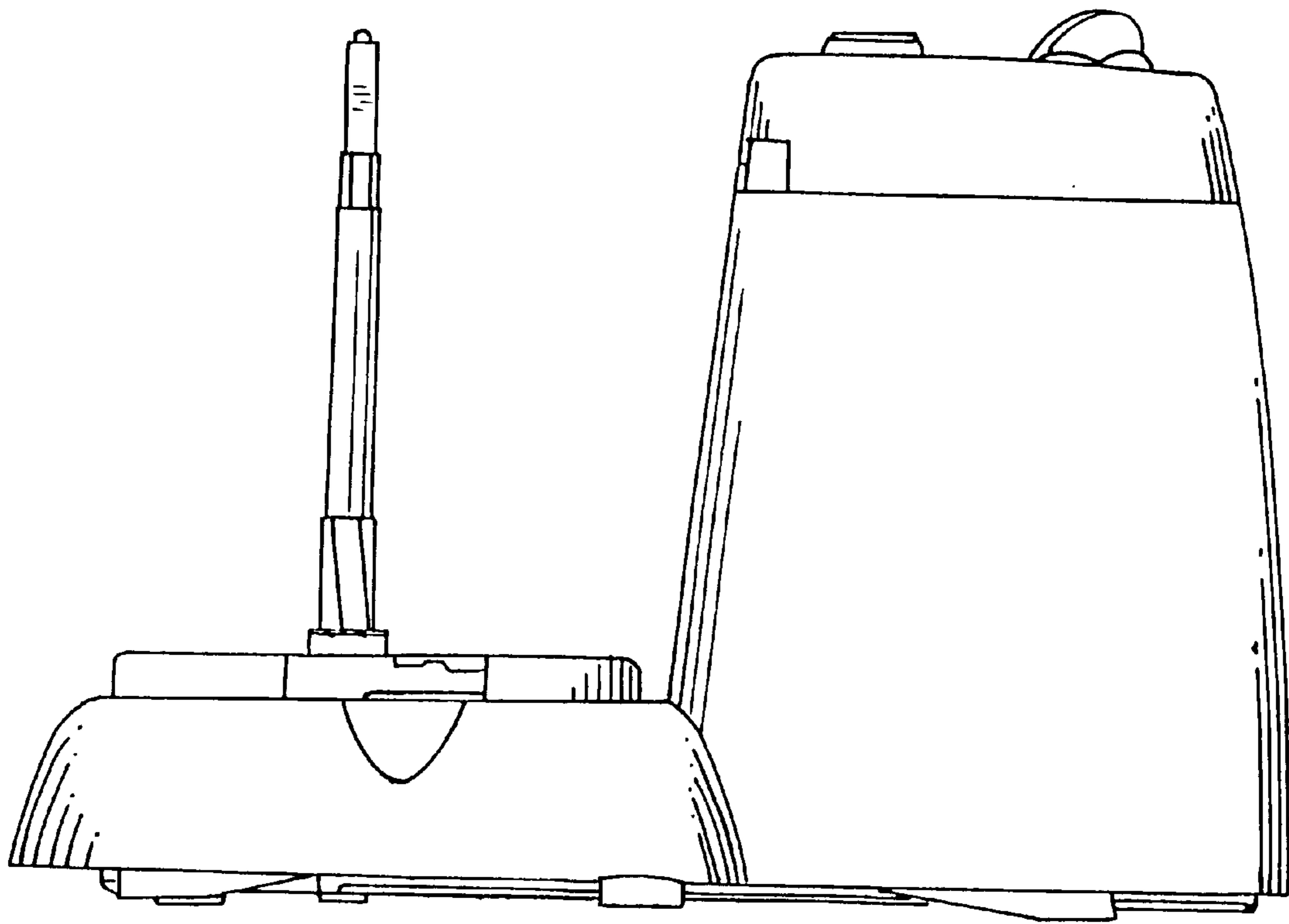


Fig. 28