



US00D457375S

(12) **United States Design Patent**  
**Picozza et al.**

(10) **Patent No.:** **US D457,375 S**

(45) **Date of Patent:** **\*\* May 21, 2002**

(54) **COFFEE MAKER**

(75) Inventors: **Augusto A. Picozza**, Boca Raton; **Raul Chinda**, Ft. Lauderdale; **Kris Schulz**, Davie, all of FL (US)

(73) Assignee: **Sunbeam Products, Inc.**, Boca Raton, FL (US)

(\*\*) Term: **14 Years**

(21) Appl. No.: **29/137,250**

(22) Filed: **Feb. 16, 2001**

(51) **LOC (7) Cl.** ..... **07-01**

(52) **U.S. Cl.** ..... **D7/309; D7/310; D7/311**

(58) **Field of Search** ..... **D7/300, 309, 310, D7/311, 399; 99/306, 295, 279, 285, 280**

(56) **References Cited**

**U.S. PATENT DOCUMENTS**

D229,158 S	*	11/1973	Marotta	.....	D7/309
D248,720 S	*	8/1978	Sato et al.	.....	D7/309
D288,517 S	*	3/1987	Kahlcke	.....	D7/309
4,748,901 A	*	6/1988	Burmeister	.....	99/306
D317,099 S	*	5/1991	Micoley	.....	D7/309
D339,711 S	*	9/1993	Precht et al.	.....	D7/305
D346,298 S	*	4/1994	Brady et al.	.....	D7/309
D358,736 S	*	5/1995	Kahlcke	.....	D7/309
D359,195 S	*	6/1995	Mukai et al.	.....	D7/309

D371,270 S	*	7/1996	Bell et al.	.....	D7/309
D403,199 S	*	12/1998	Micoley	.....	D7/309
D437,173 S	*	2/2001	Naft et al.	.....	D7/309
D446,988 S	*	8/2001	Lothrop et al.	.....	D7/309
D446,989 S	*	8/2001	Cruz	.....	D7/309

\* cited by examiner

*Primary Examiner*—M. N. Pandozzi

(74) *Attorney, Agent, or Firm*—Kramer Levin Naftalis & Frankel LLP

(57) **CLAIM**

The ornamental design for a coffee maker, as shown and described.

**DESCRIPTION**

FIG. 1 is a front right perspective view of an exemplary coffee maker according to an embodiment of the present invention.

FIG. 2 is a left side elevational view of the coffee maker.

FIG. 3 is a right side elevational view of the coffee maker.

FIG. 4 is a front elevational view of the coffee maker.

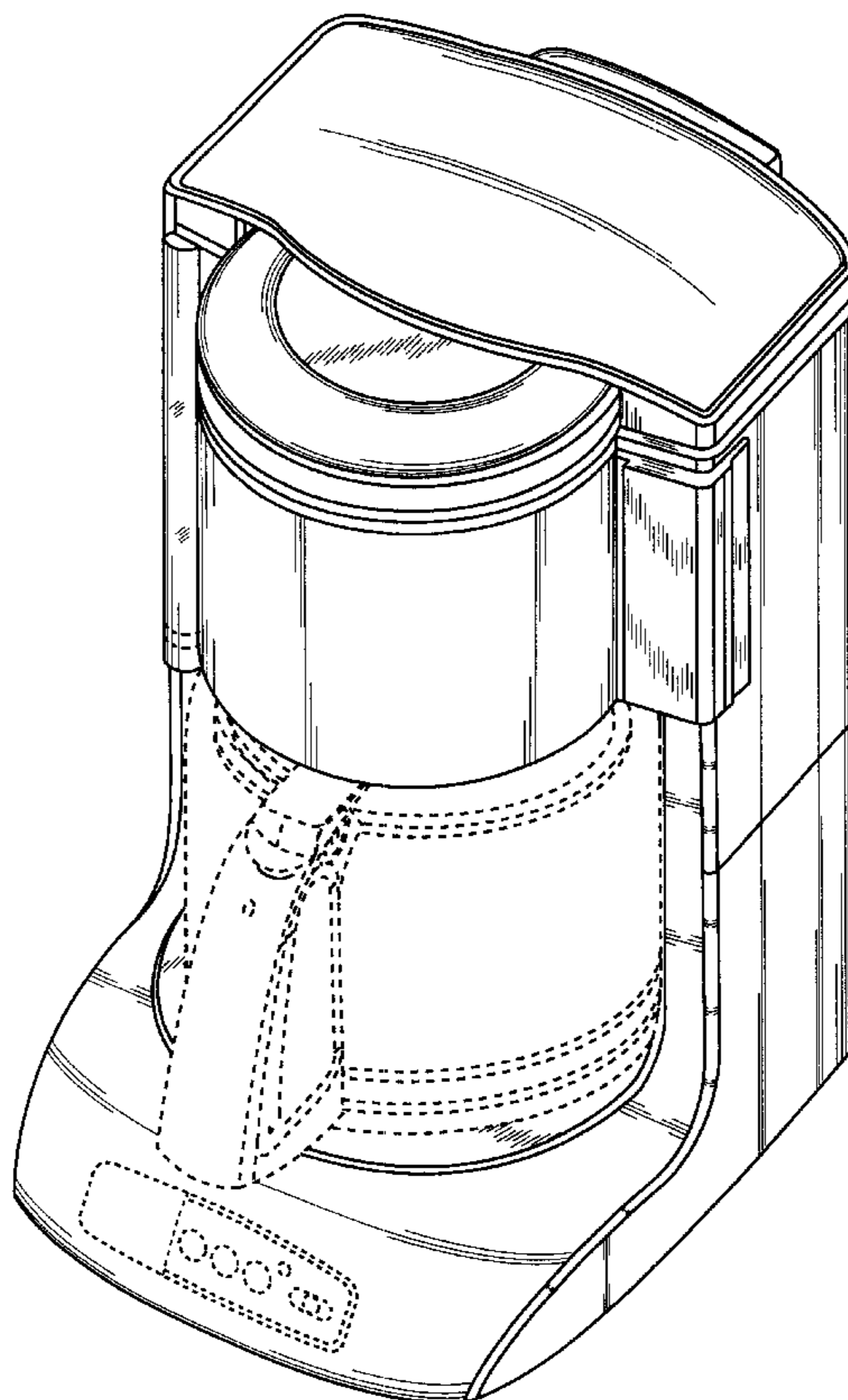
FIG. 5 is a back elevational view of the coffee maker.

FIG. 6 is a top plan view of the coffee maker; and,

FIG. 7 is a bottom plan view of the coffee maker.

The broken lines in the drawings are for illustrative purposes only and form no part of the claimed design.

**1 Claim, 7 Drawing Sheets**



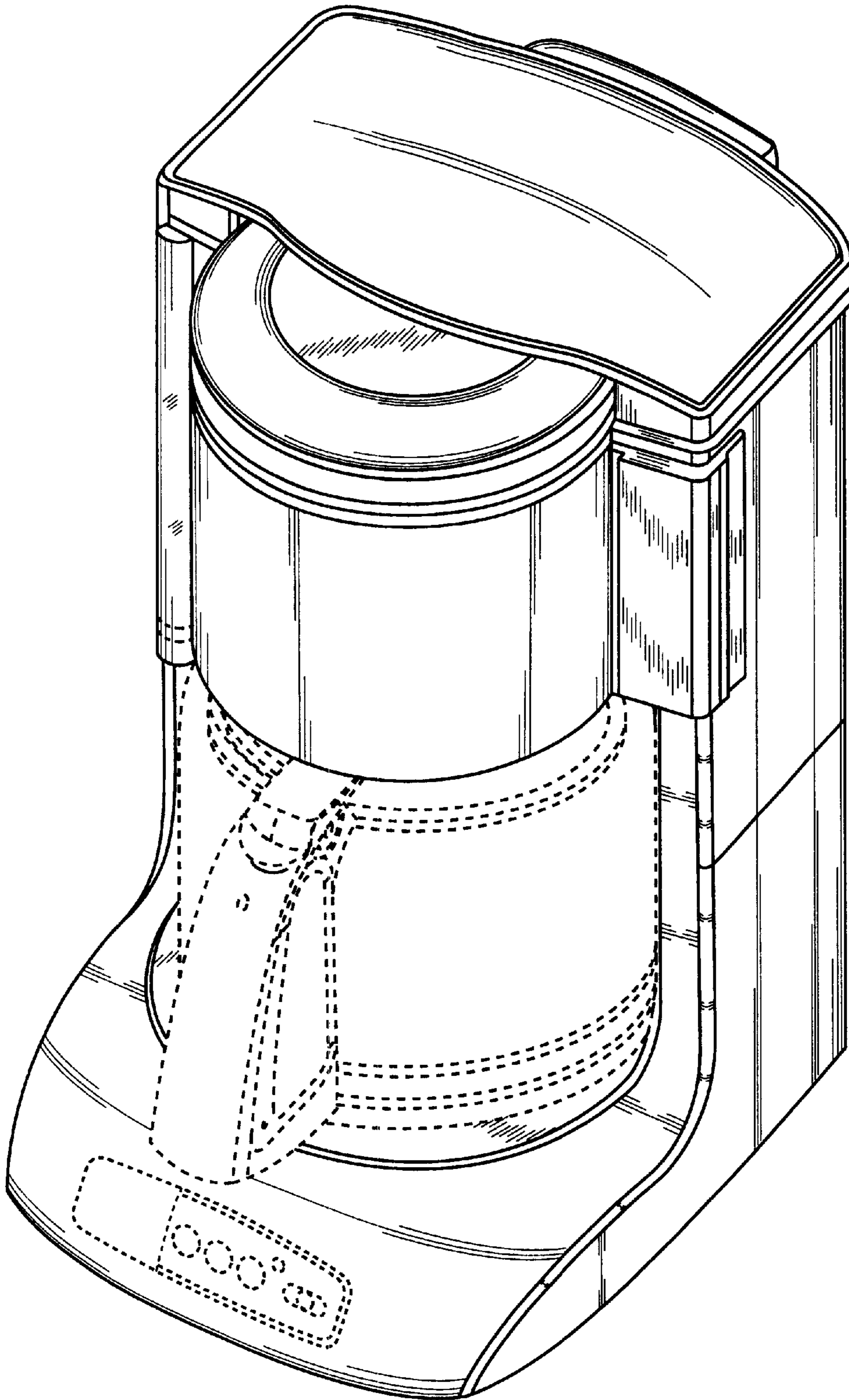


FIG. 1

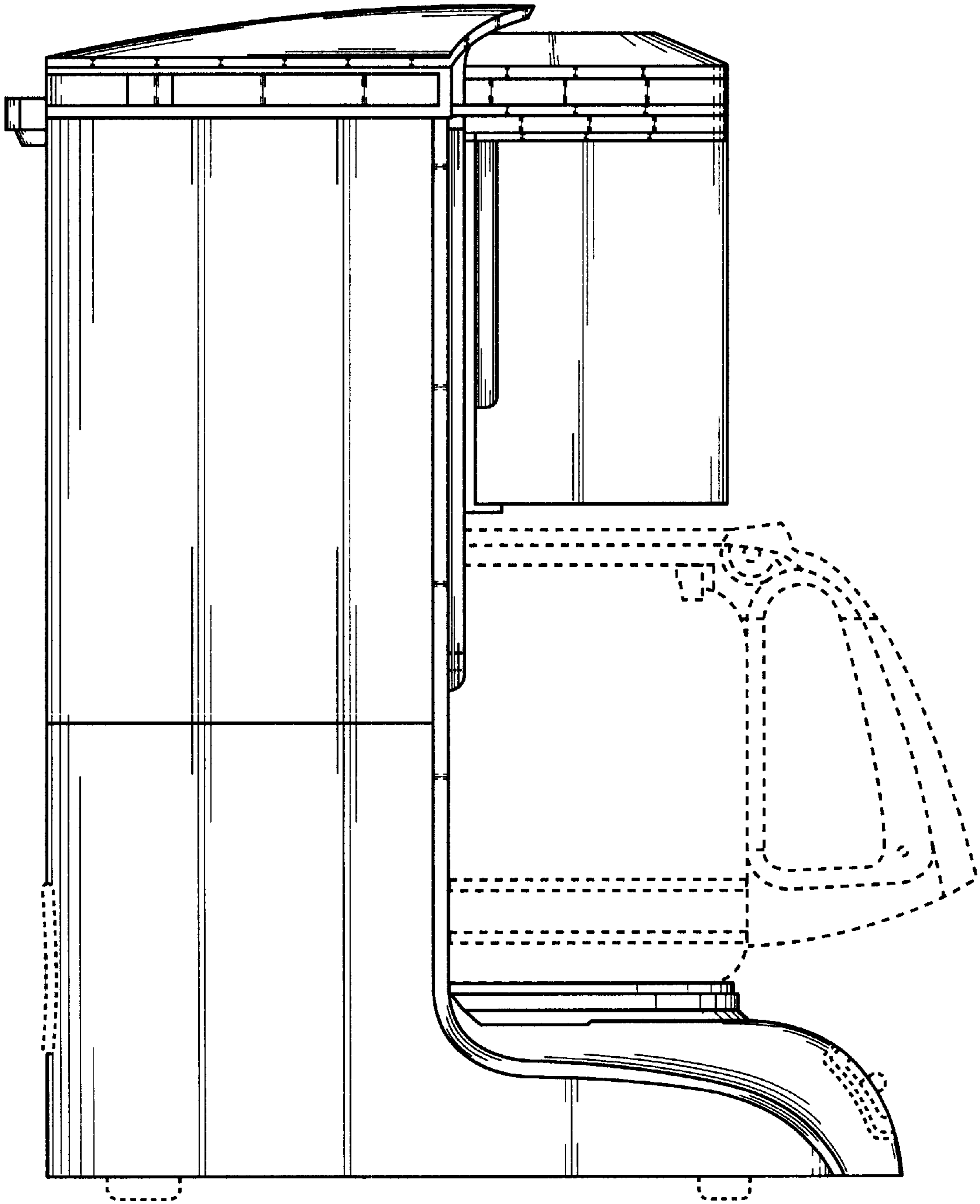


FIG. 2

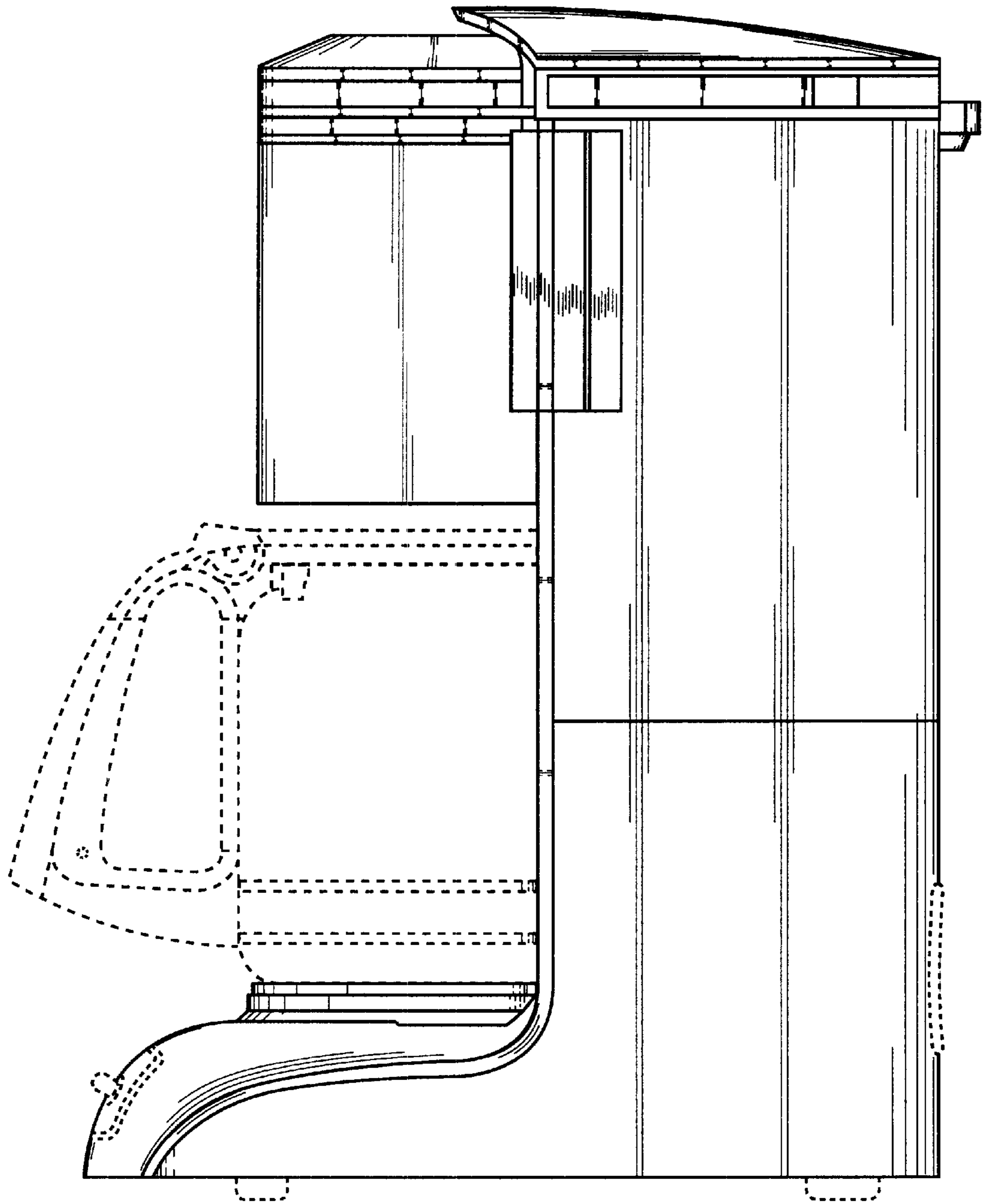


FIG. 3



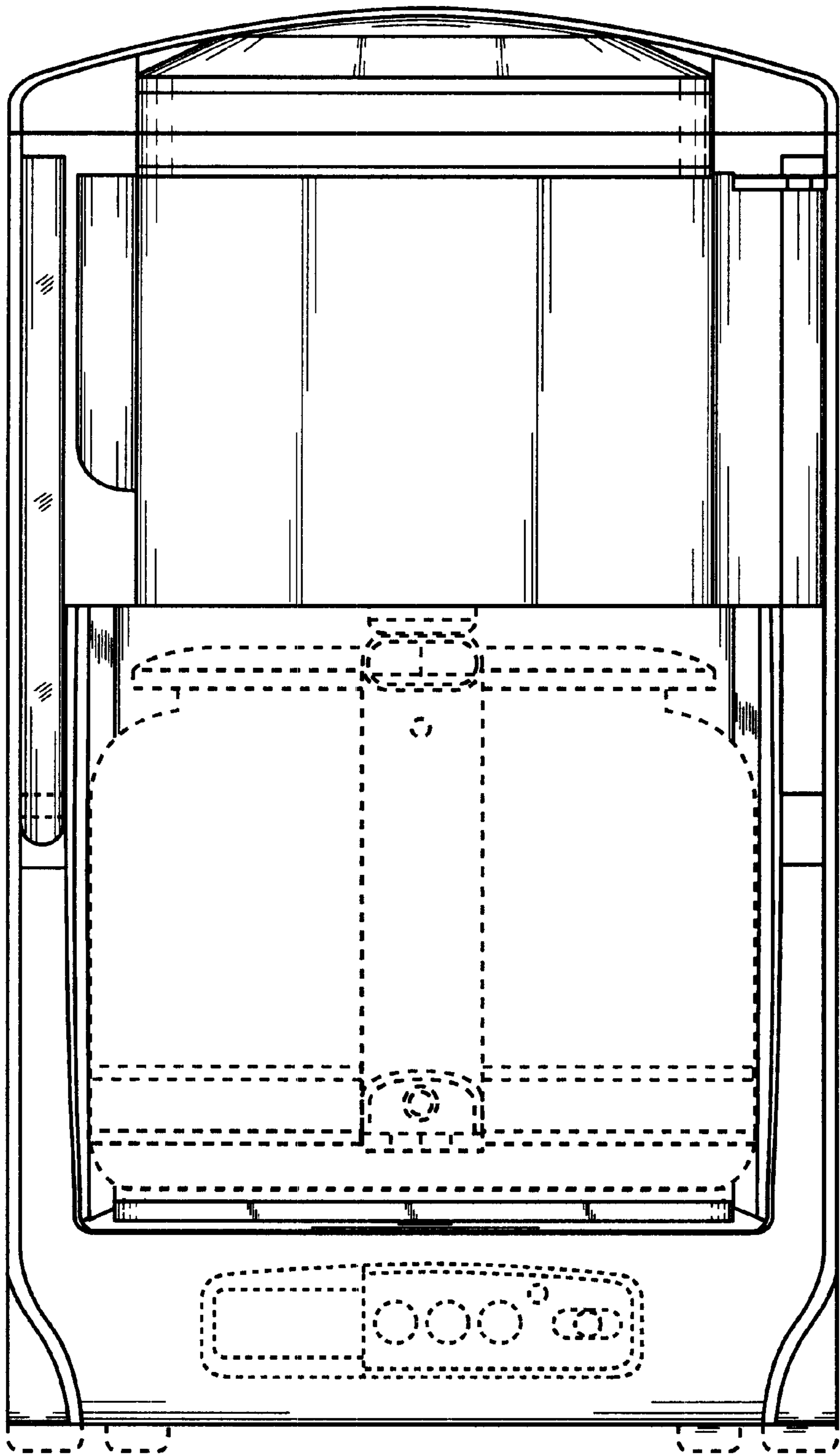


FIG. 4

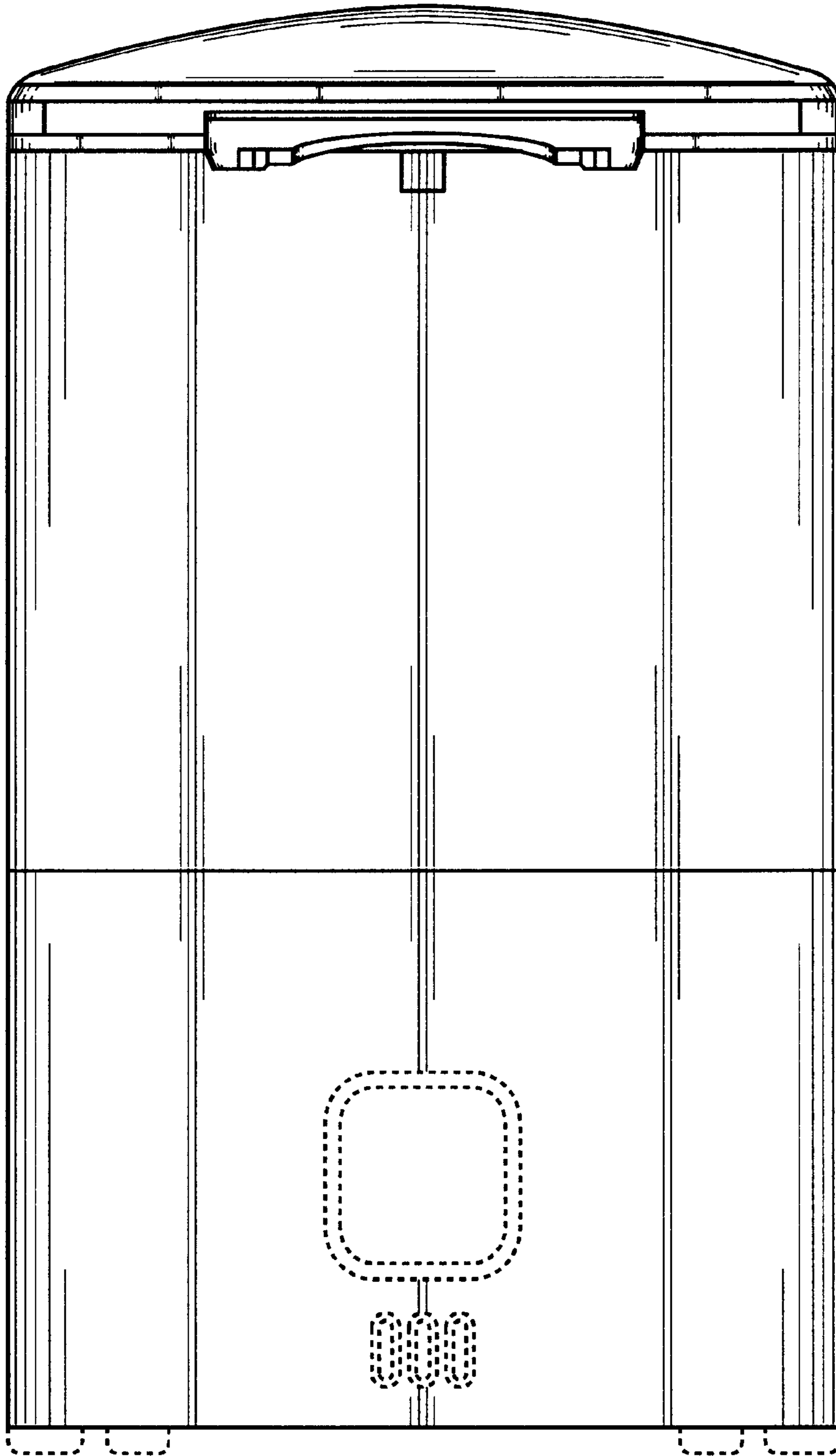


FIG. 5

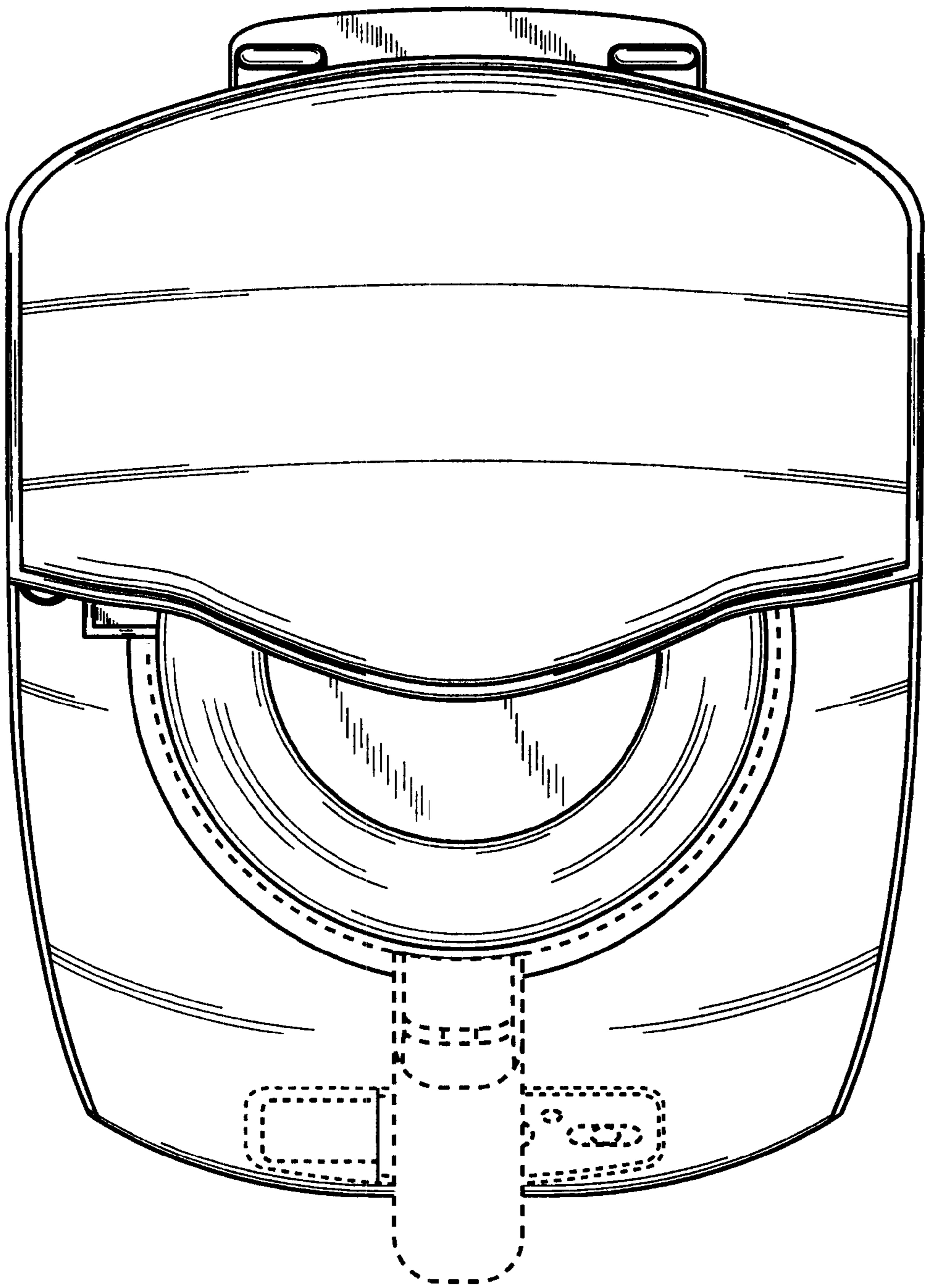


FIG. 6

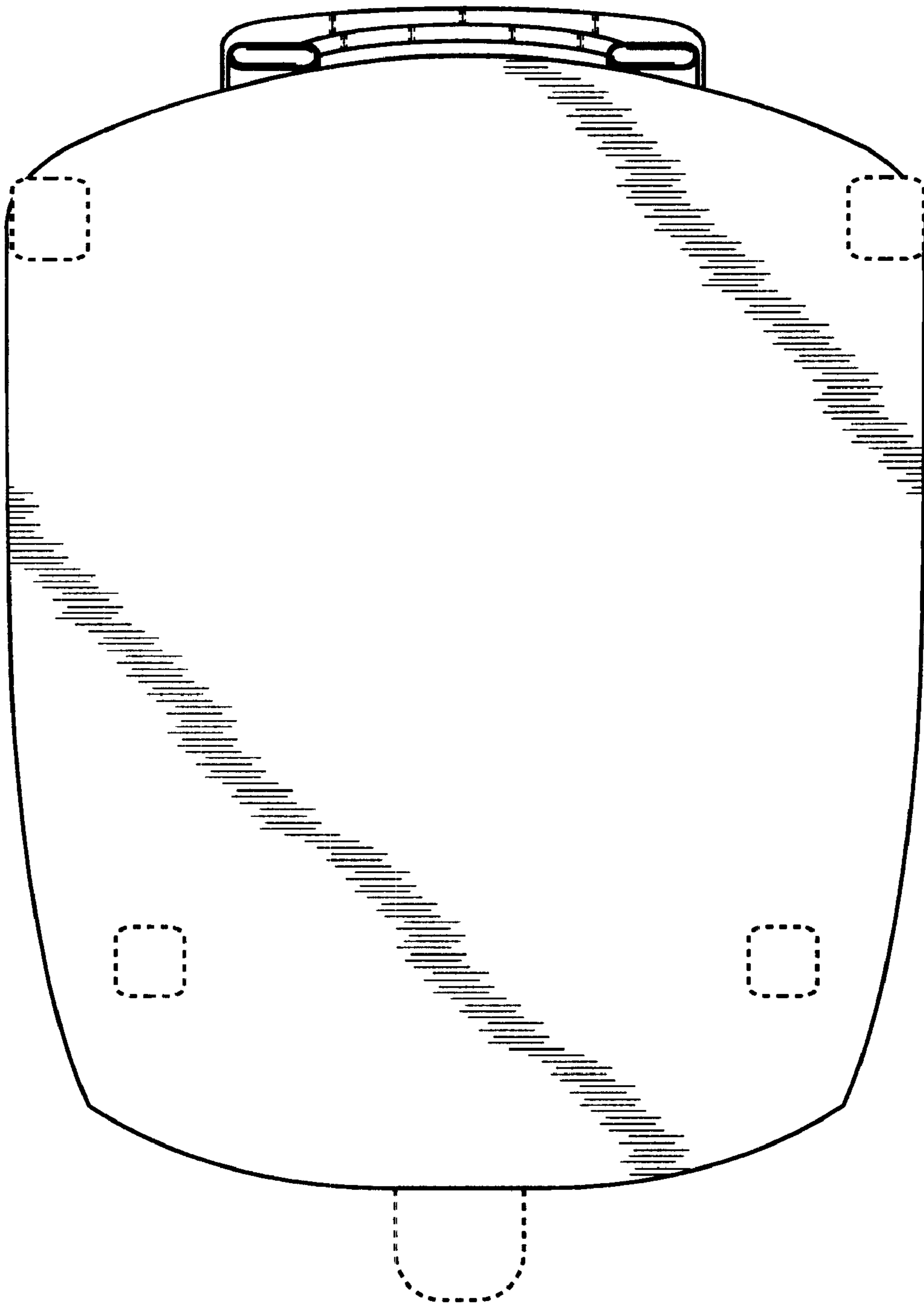


FIG. 7