



US00D457374S

(12) **United States Design Patent**  
**Lee**

(10) **Patent No.:** **US D457,374 S**

(45) **Date of Patent:** **\*\* May 21, 2002**

(54) **STORAGE BOX FOR ELECTRONIC GAMES CARTRIDGE**

(75) **Inventor:** **Man-Tat Lee, Kowloon (HK)**

(73) **Assignee:** **Storm Electronics Company Limited, Kowloon (CN)**

(\*\*) **Term:** **14 Years**

(21) **Appl. No.:** **29/138,353**

(22) **Filed:** **Mar. 12, 2001**

(30) **Foreign Application Priority Data**

Oct. 10, 2000 (HK) ..... 0011449

(51) **LOC (7) Cl.** ..... **06-04**

(52) **U.S. Cl.** ..... **D6/632; D3/201; D6/407**

(58) **Field of Search** ..... **D3/201, 218; D6/407, D6/626-635; D19/26, 27, 32; 206/307.1, 308.1, 308.2, 308.3, 309, 311, 312, 387.11, 387.13, 387.15; 369/37, 75.2, 291; 379/355**

(56) **References Cited**

**U.S. PATENT DOCUMENTS**

D288,983 S	*	3/1987	Juhas et al.	.....	D6/634
4,703,853 A	*	11/1987	Byrns	.....	206/387.13
D294,774 S	*	3/1988	Kitada	.....	D6/631
D297,385 S	*	8/1988	Bennett	.....	D6/631
D321,429 S	*	11/1991	Kojo	.....	D6/634
D334,467 S	*	4/1993	Hata	.....	D6/632
D358,961 S	*	6/1995	Lax	.....	D6/634
D363,632 S	*	10/1995	Ohta	.....	D6/634

D366,802 S	*	2/1996	Roberts et al.	.....	D6/632
5,636,737 A	*	6/1997	Marsilio	.....	206/387.13
D385,454 S	*	10/1997	Marsilio et al.	.....	D6/634
5,695,054 A	*	12/1997	Weisburn et al.	.....	206/308.1
5,697,498 A	*	12/1997	Weisburn et al.	.....	206/308.1
5,775,500 A	*	7/1998	Williams	.....	206/387.1
5,782,352 A	*	7/1998	Senda	.....	206/308.3
D399,677 S	*	10/1998	Cheris et al.	.....	D6/631
5,971,149 A	*	10/1999	Sakurai	.....	206/387.13
5,975,298 A	*	11/1999	Sankey et al.	.....	206/387.13
D423,273 S	*	4/2000	Sankey et al.	.....	D6/632
D423,772 S	*	5/2000	Cooper et al.	.....	D3/218
6,170,660 B1	*	1/2001	Sankey et al.	.....	206/387.13
D437,520 S	*	2/2001	Choi	.....	D6/632

\* cited by examiner

*Primary Examiner*—Celia Murphy

(74) *Attorney, Agent, or Firm*—Alix, Yale & Ristas, LLP

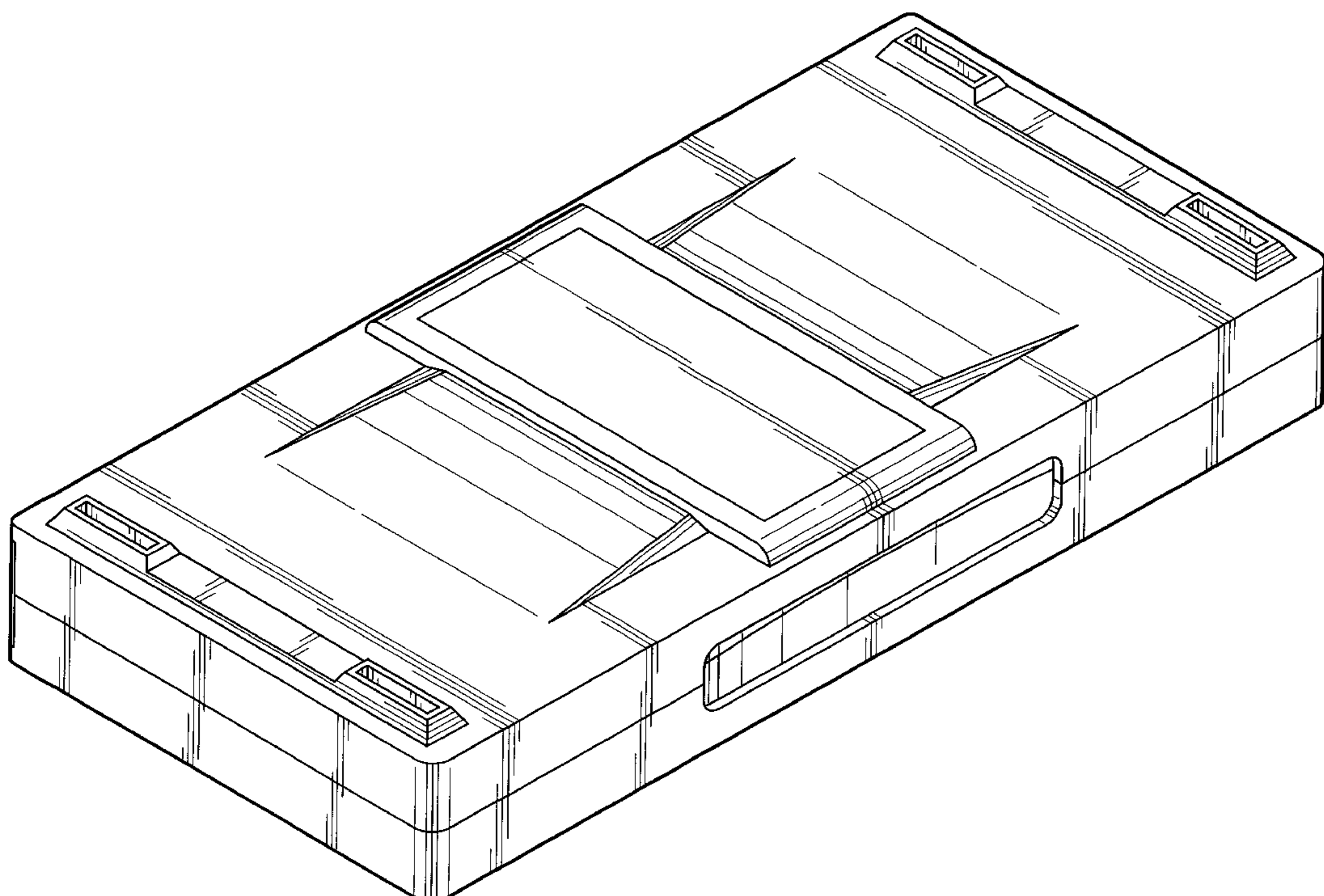
(57) **CLAIM**

The ornamental design for a storage box for electronic games cartridge, as shown and described.

**DESCRIPTION**

FIG. 1 is a perspective view of a storage box for electronic games cartridge showing my new design; FIG. 2 is a front perspective view thereof; FIG. 3 is a top plan view thereof; FIG. 4 is a bottom plan view thereof. FIG. 5 is a rear elevational view thereof; FIG. 6 is a left side elevational view thereof; and, FIG. 7 is a right side elevational view thereof.

**1 Claim, 3 Drawing Sheets**



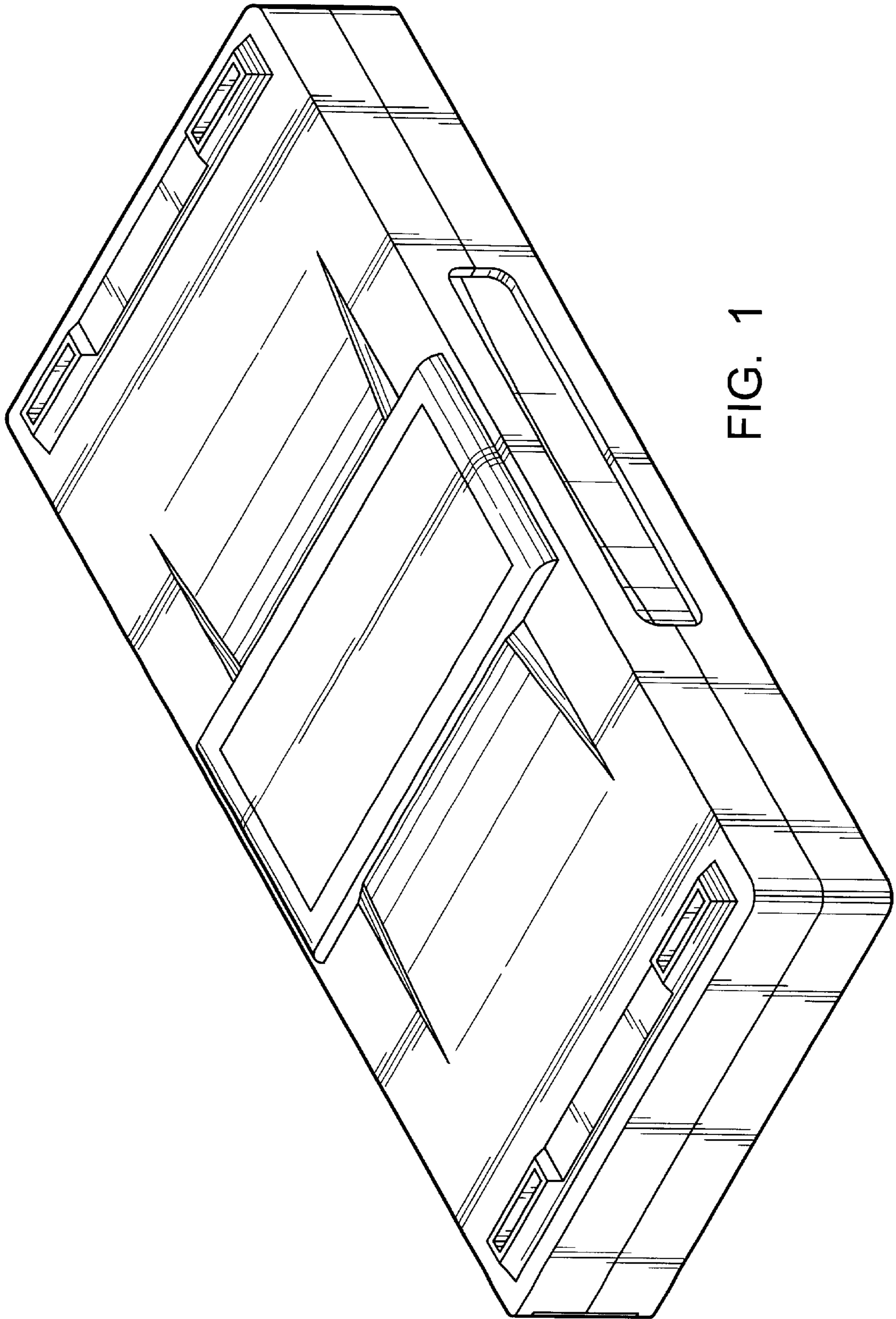


FIG. 1

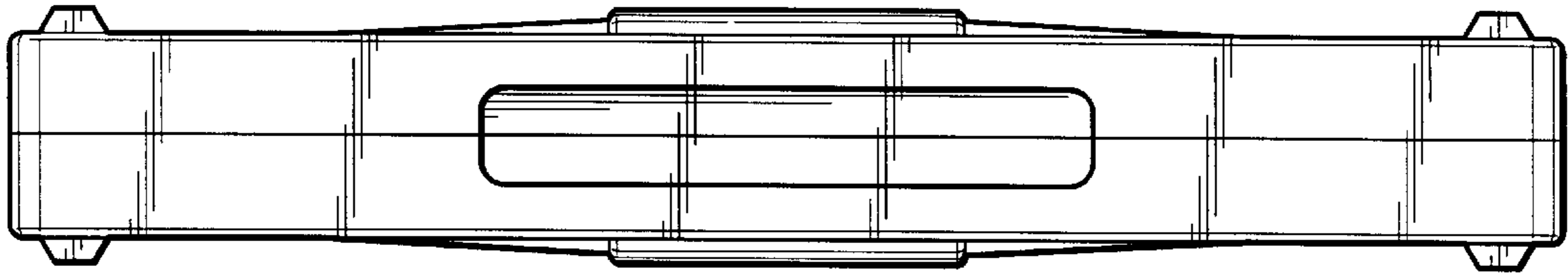


FIG. 3

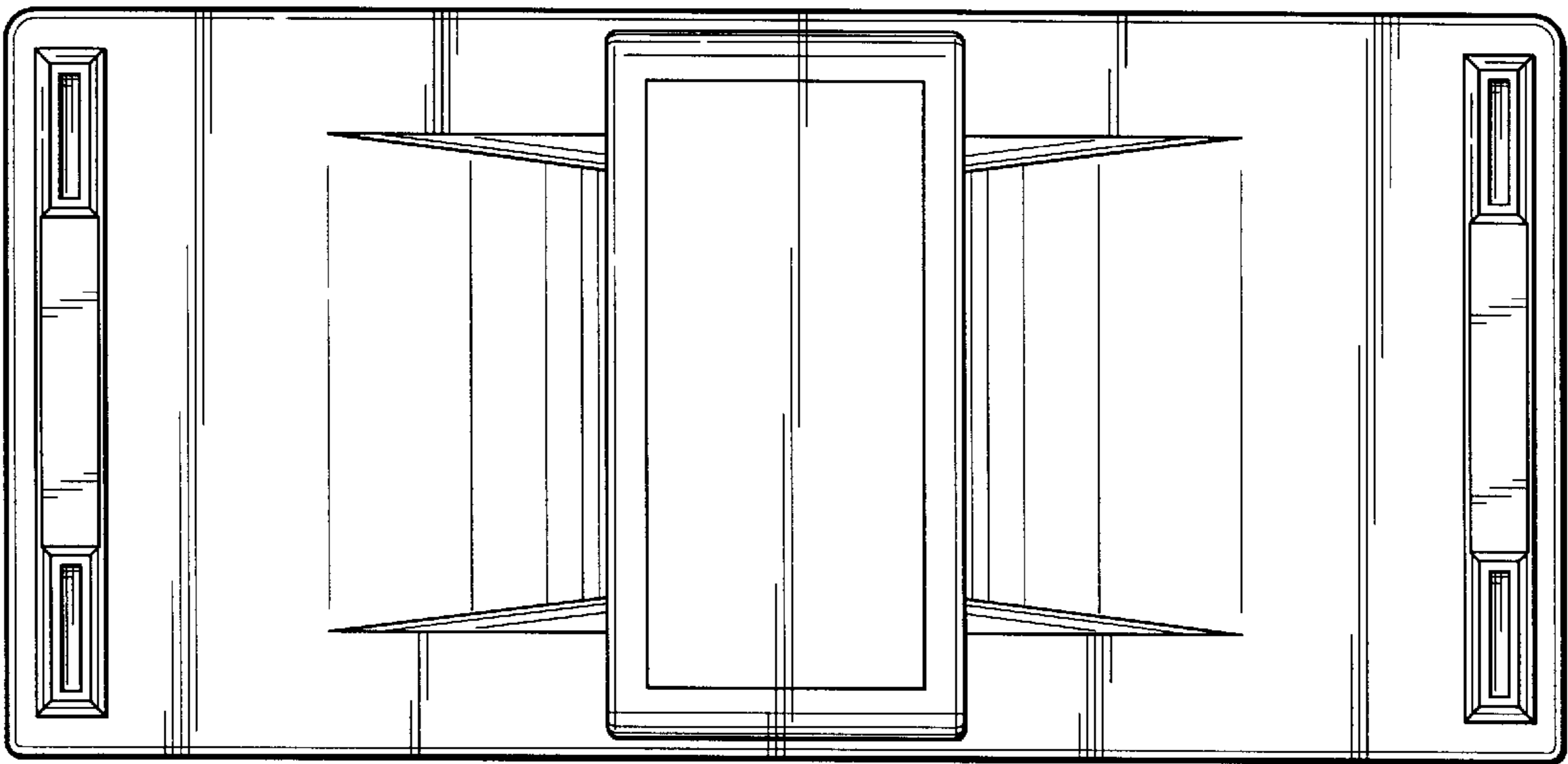


FIG. 2

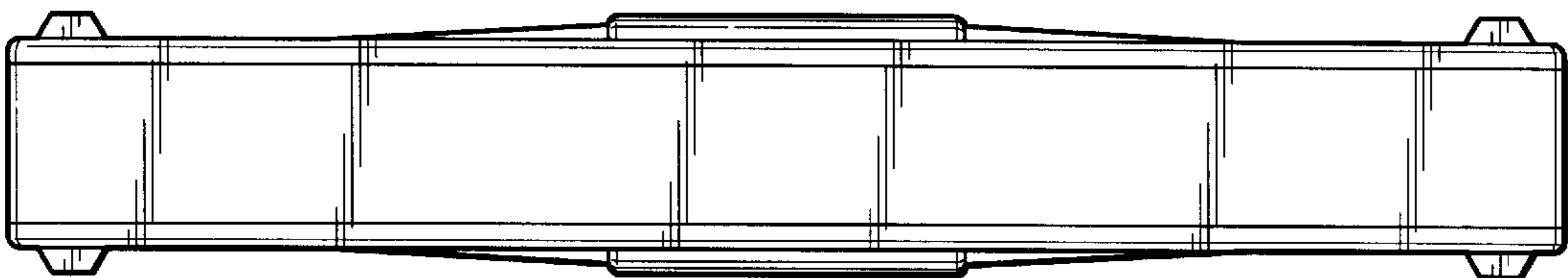


FIG. 4

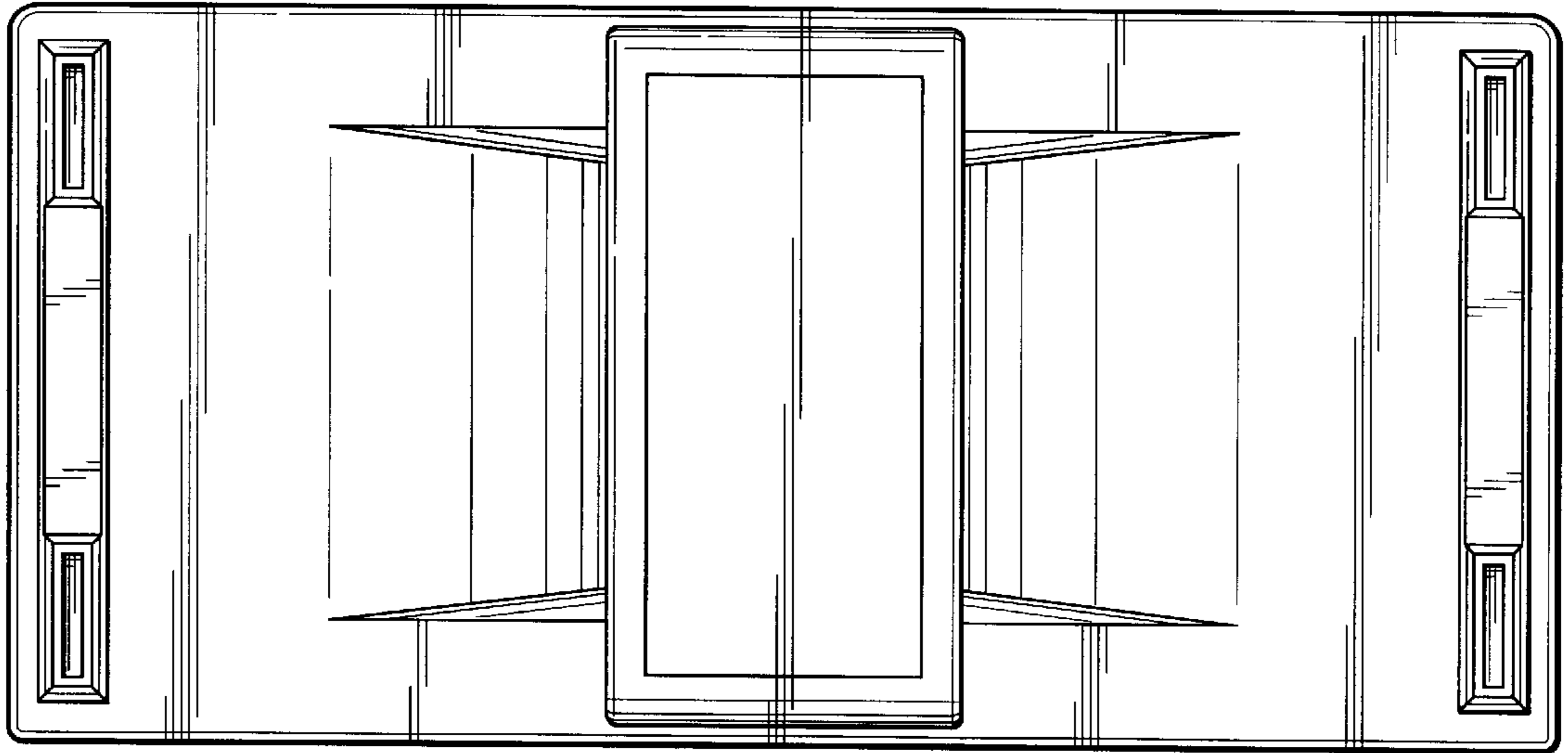


FIG. 5

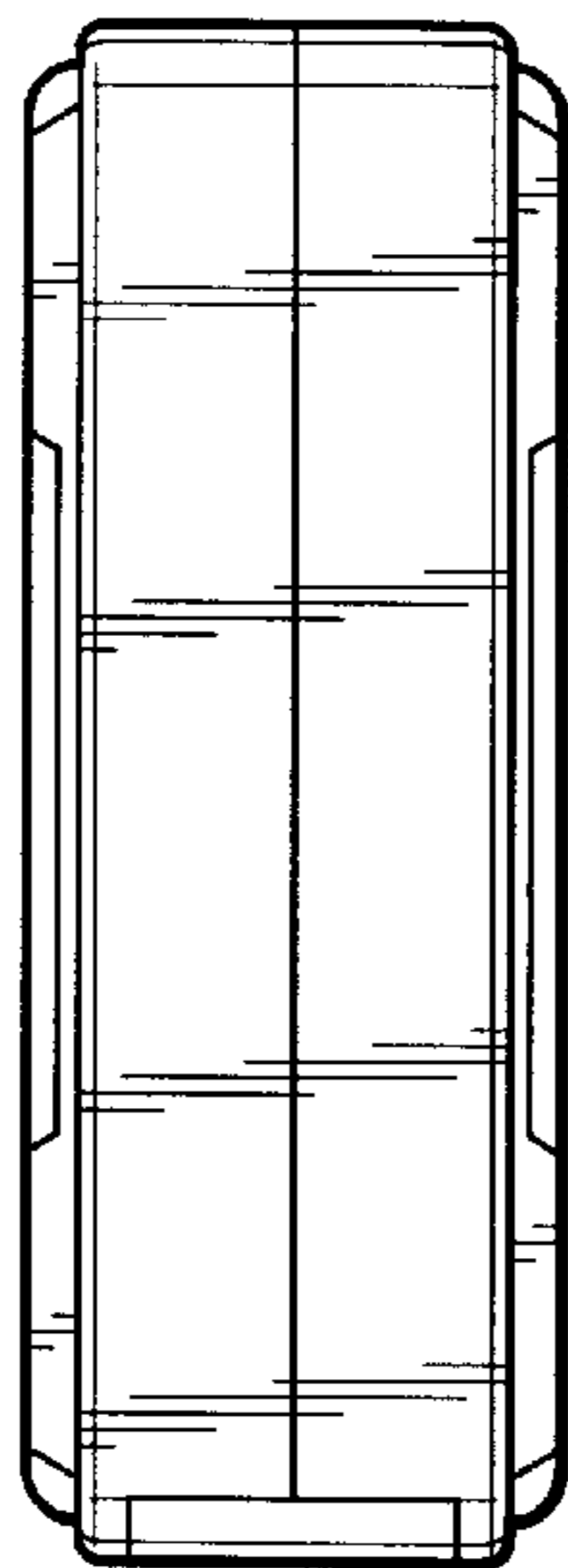


FIG. 6

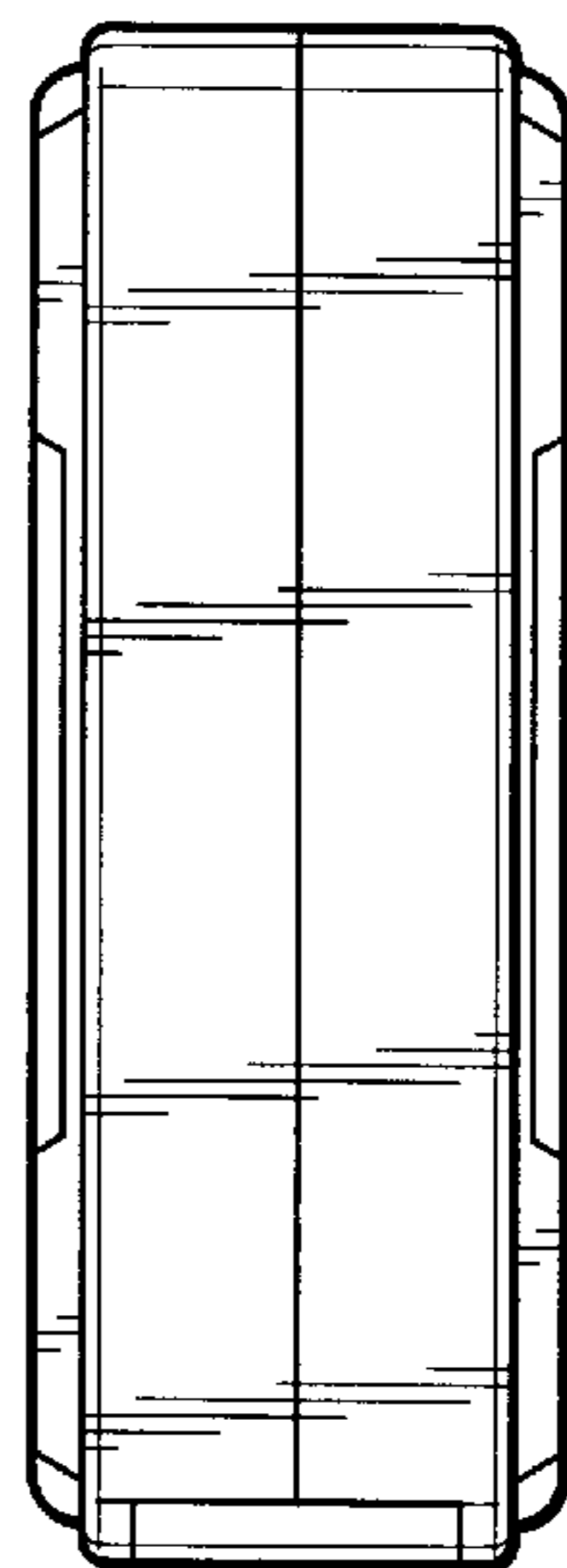


FIG. 7