



US00D457371S

(12) **United States Design Patent**
Grassman

(10) **Patent No.:** **US D457,371 S**

(45) **Date of Patent:** **** May 21, 2002**

(54) **SPORTS BALL RACK**

(74) *Attorney, Agent, or Firm*—Dunlap, Coddling & Rogers

(75) Inventor: **Donald E. Grassman**, Piedmont, OK (US)

(57) **CLAIM**

The ornamental design for a sports ball rack, as shown and described.

(73) Assignee: **G.W., L.L.C.**, Piedmont, OK (US)

(**) Term: **14 Years**

DESCRIPTION

(21) Appl. No.: **29/144,138**

FIG. 1 is a perspective view of a sports ball rack showing my new design;

(22) Filed: **Jun. 27, 2001**

FIG. 2 is a front elevational view thereof;

(51) **LOC (7) Cl.** **08-08**

FIG. 3 is a rear elevational view thereof;

(52) **U.S. Cl.** **D6/552**

FIG. 4 is a side elevational view of one side thereof;

(58) **Field of Search** D6/552, 574; 108/28; 206/315.1, 315.9; 211/13.1, 14

FIG. 5 is a side elevational view of a side opposite that shown in FIG. 4;

(56) **References Cited**

U.S. PATENT DOCUMENTS

| | | | | | |
|------------|---|---------|-------------|-------|----------|
| D134,295 S | * | 11/1942 | Steward | | D6/574 |
| D247,272 S | * | 2/1978 | Putt et al. | | D6/552 |
| D366,584 S | * | 1/1996 | Ellis | | D6/552 |
| D421,865 S | * | 3/2000 | Chen | | D6/552 |
| D429,094 S | * | 8/2000 | Solowiej | | D6/552 X |

FIG. 6 is a top plan view thereof; and

FIG. 7 is a bottom plan view thereof.

FIG. 8 is a perspective view of another embodiment of a sports ball rack showing my new design;

FIG. 9 is a front elevational view thereof;

FIG. 10 is a rear elevational view thereof;

FIG. 11 is a side elevational view of one side thereof;

FIG. 12 is a side elevational view of a side opposite that shown in FIG. 11;

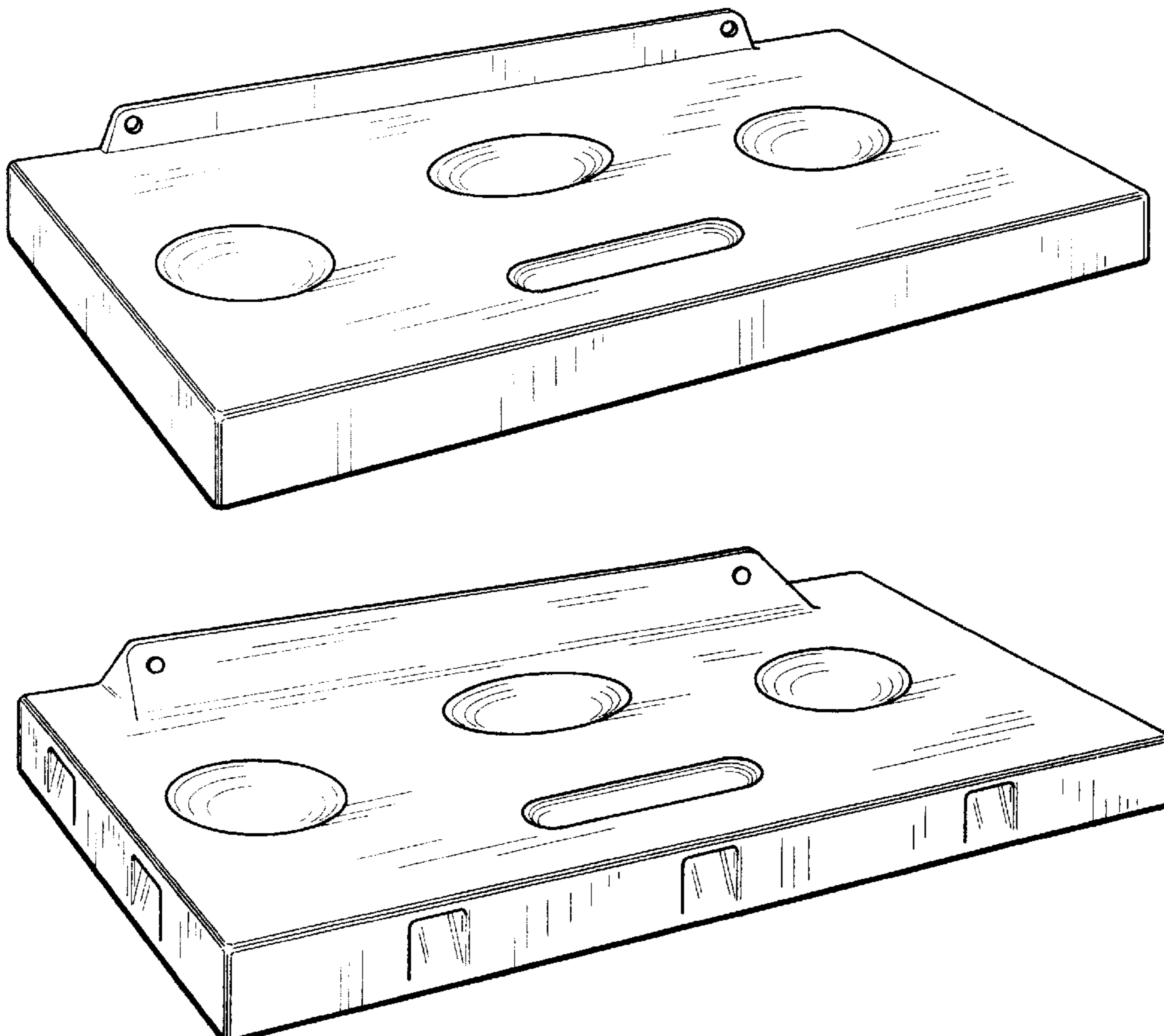
FIG. 13 is a top plan view thereof; and,

FIG. 14 is a bottom plan view thereof.

* cited by examiner

Primary Examiner—Brian N. Vinson

1 Claim, 4 Drawing Sheets



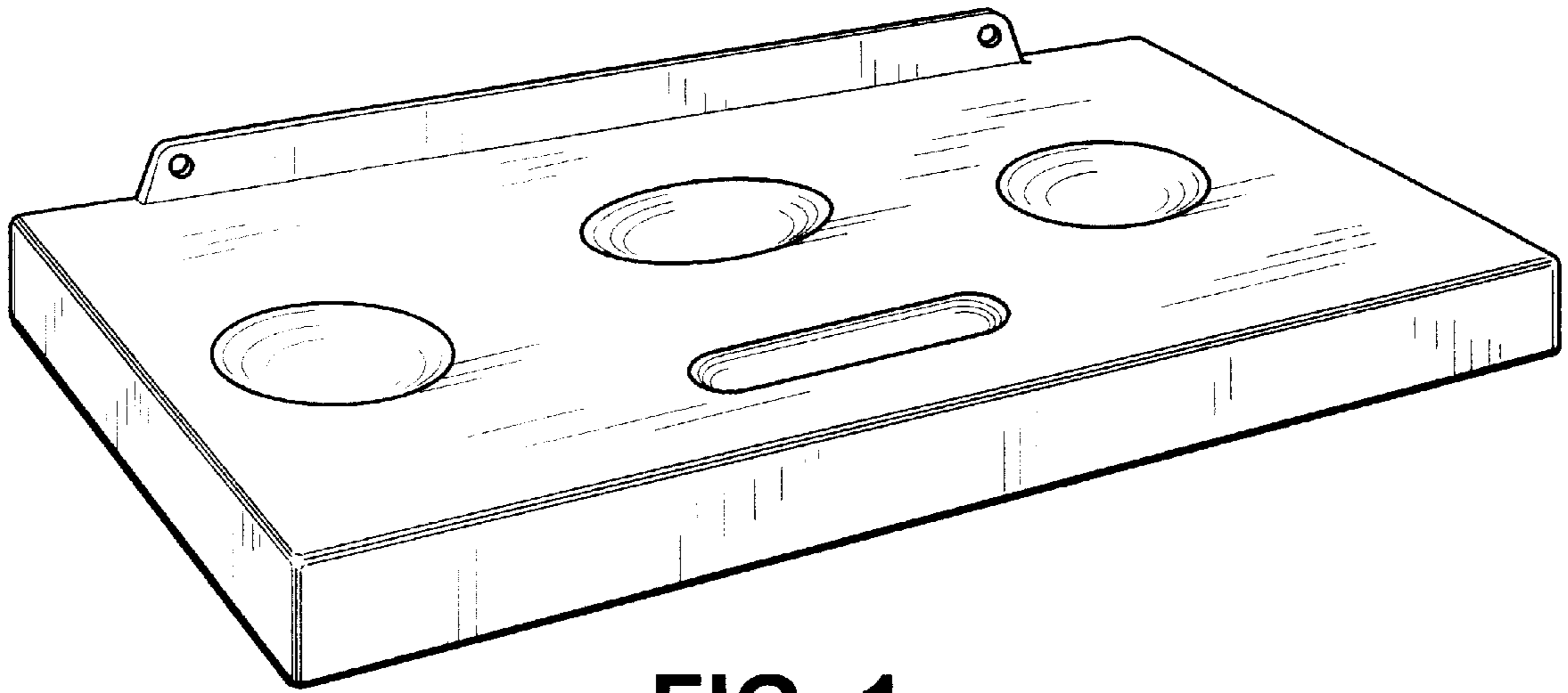


FIG. 1

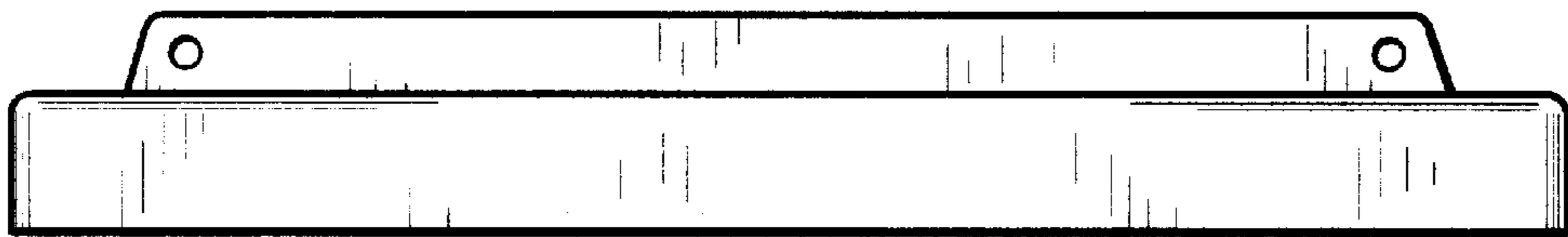


FIG. 2

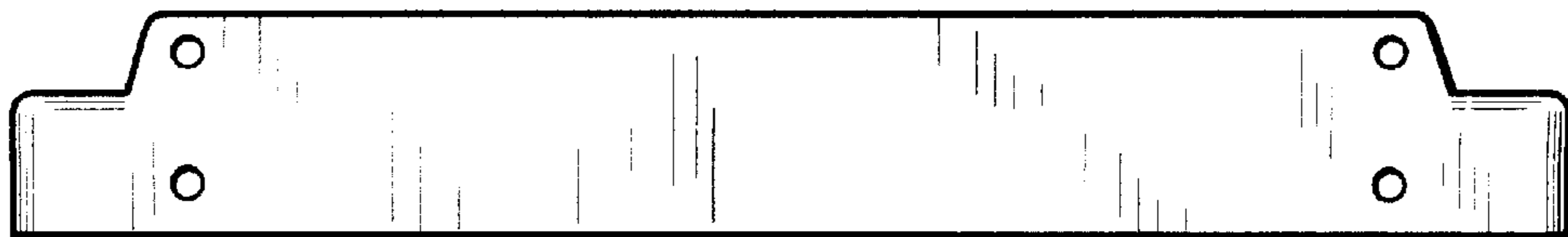


FIG. 3

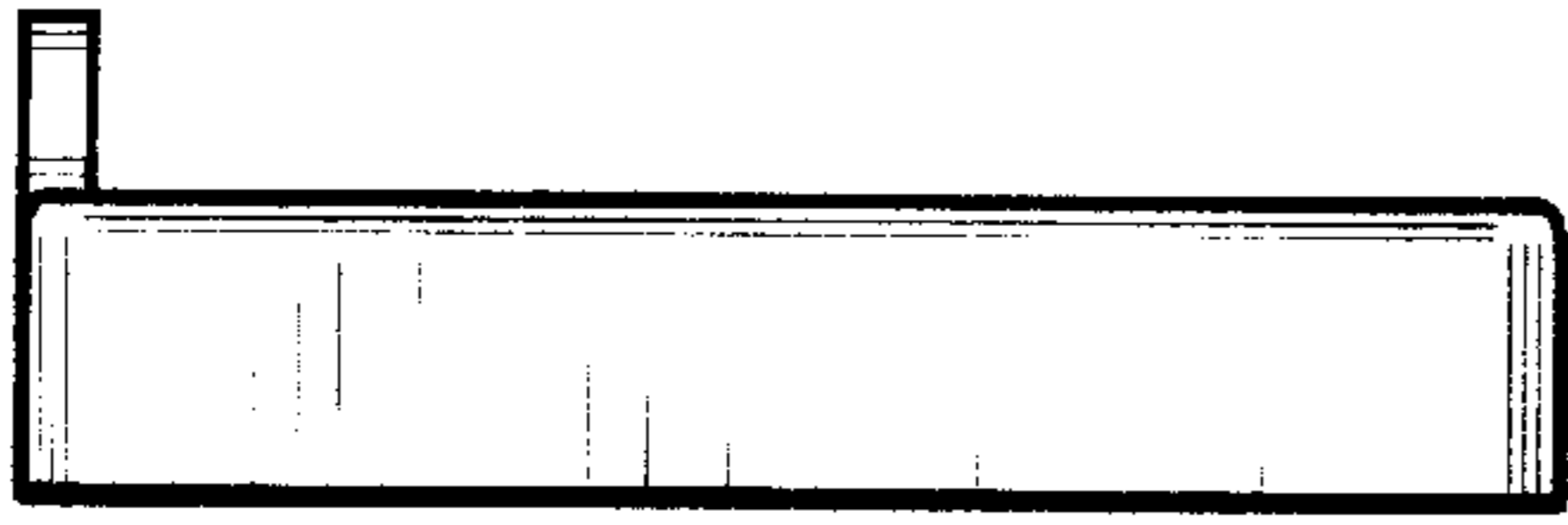


FIG. 4

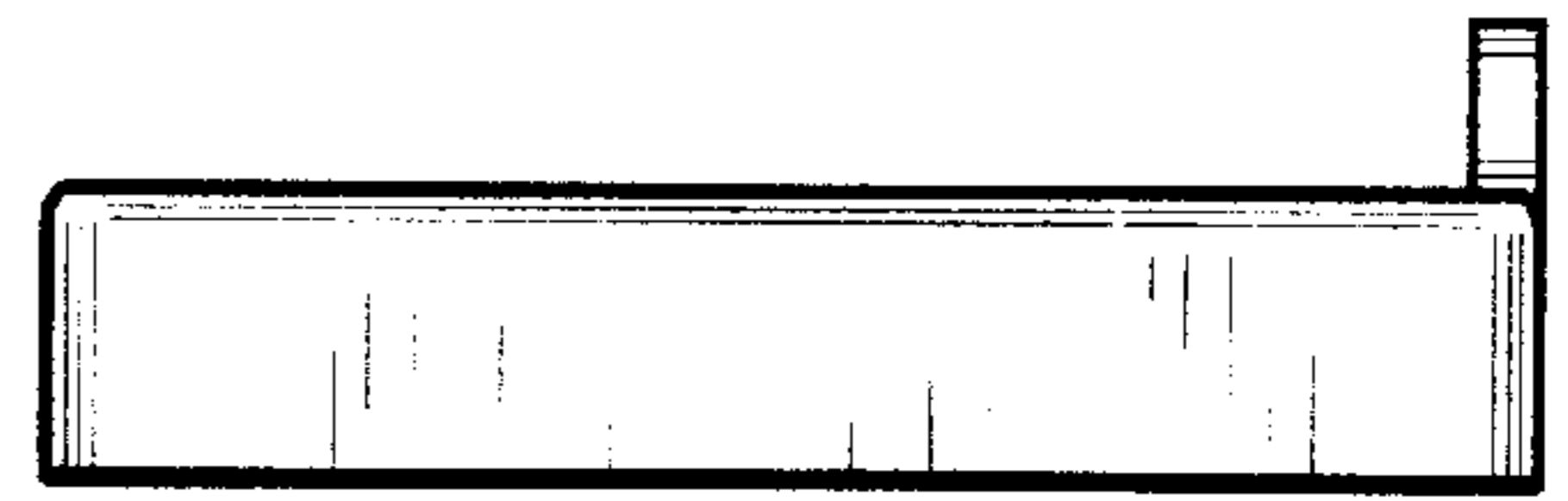


FIG. 5

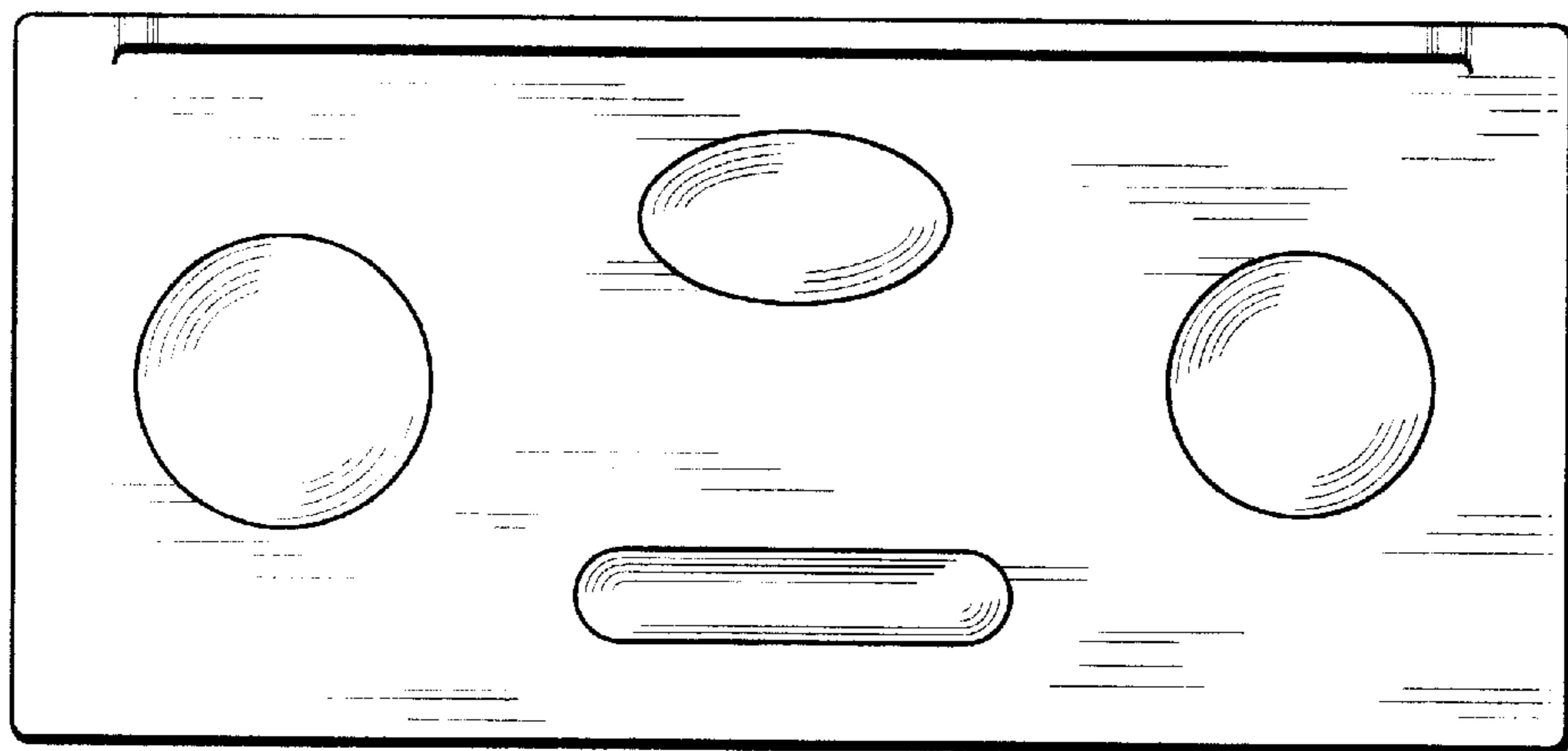


FIG. 6

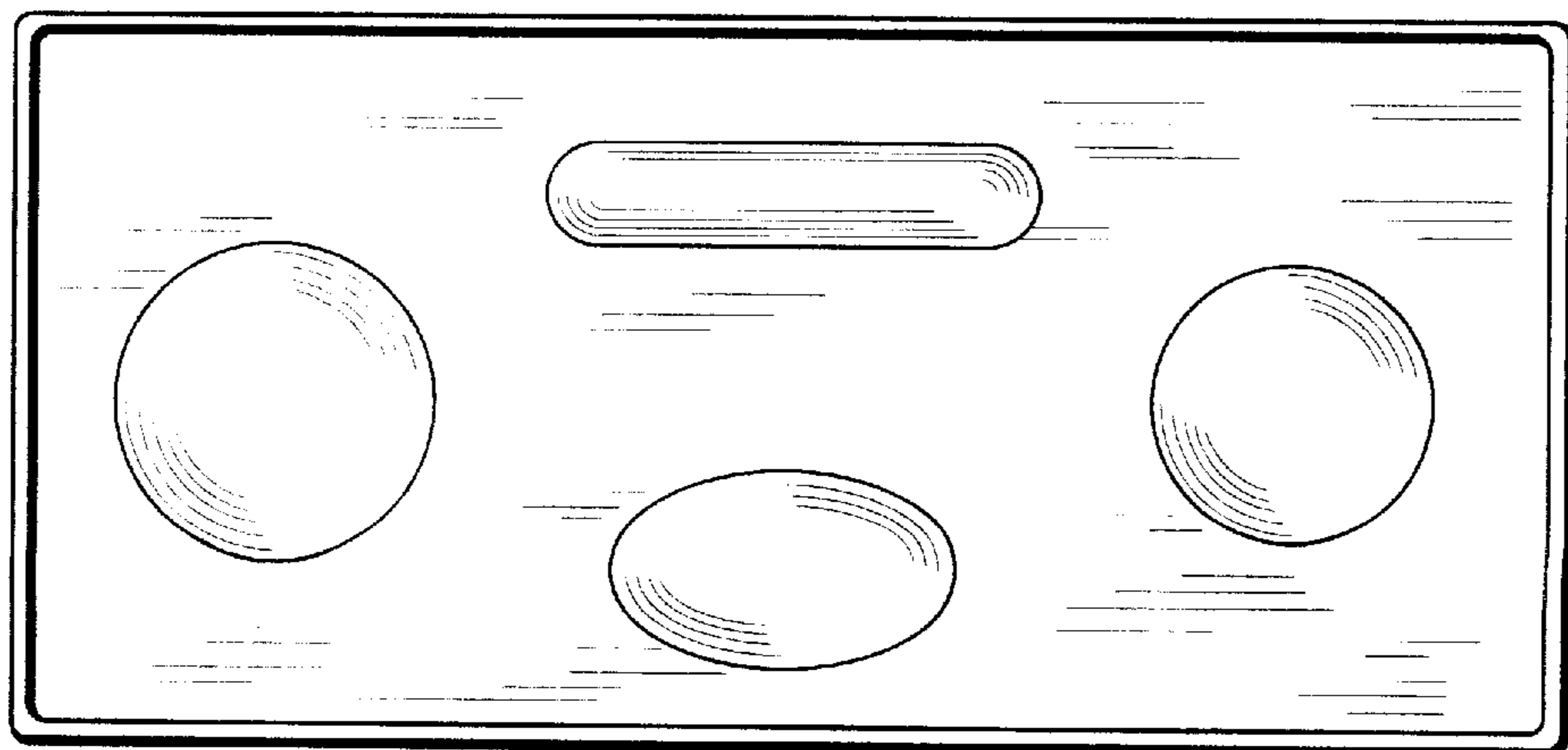


FIG. 7

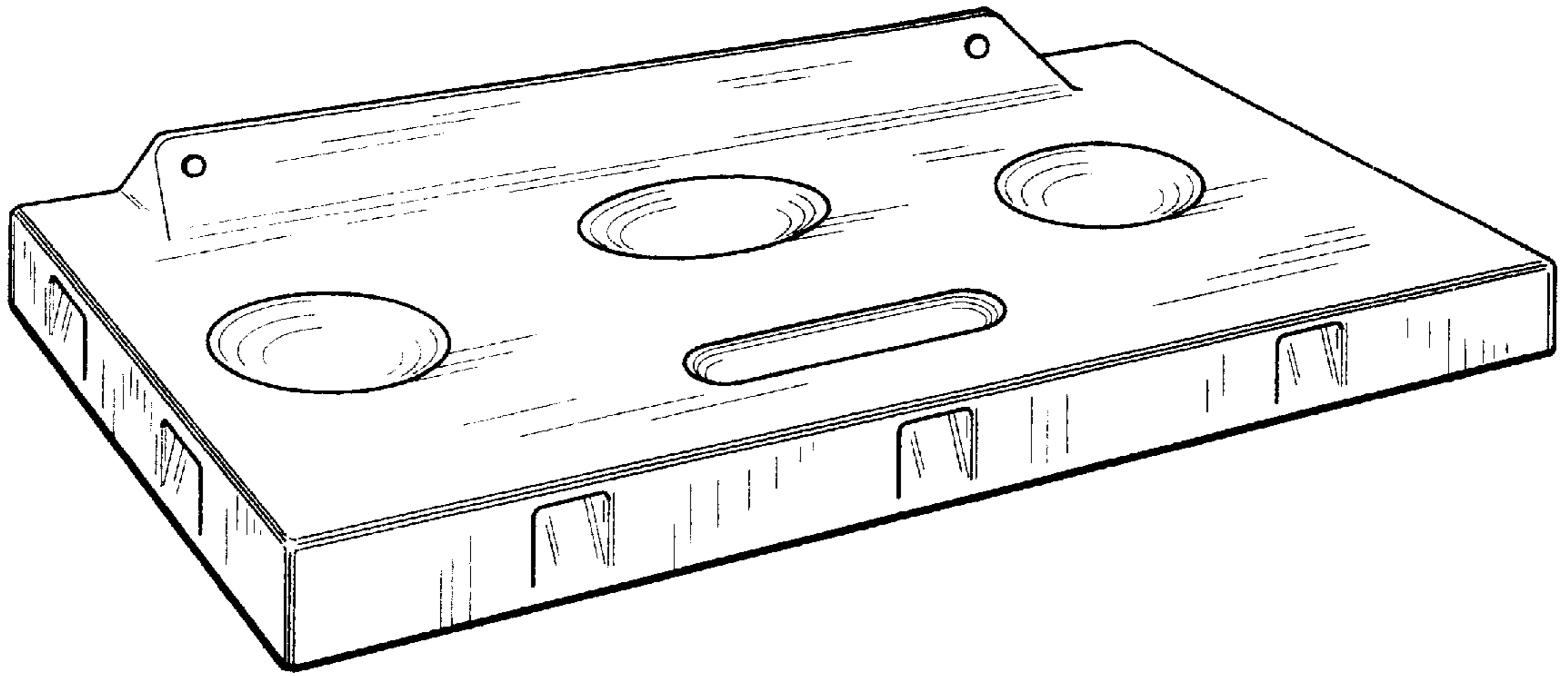


FIG. 8

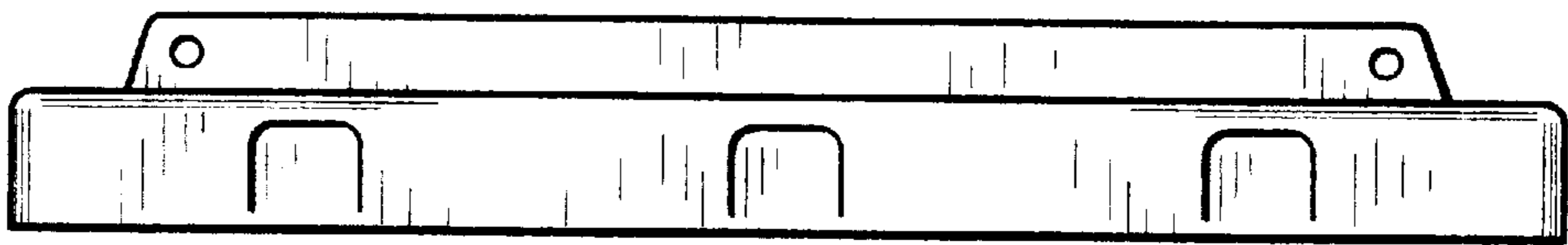


FIG. 9

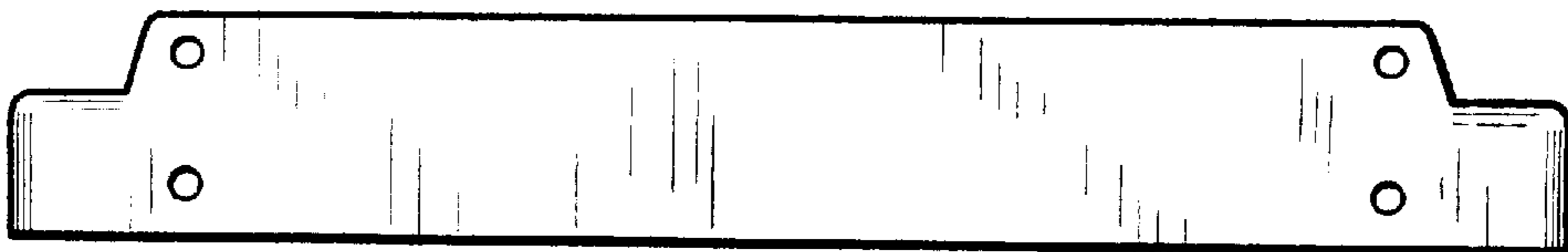


FIG. 10



FIG. 11



FIG. 12

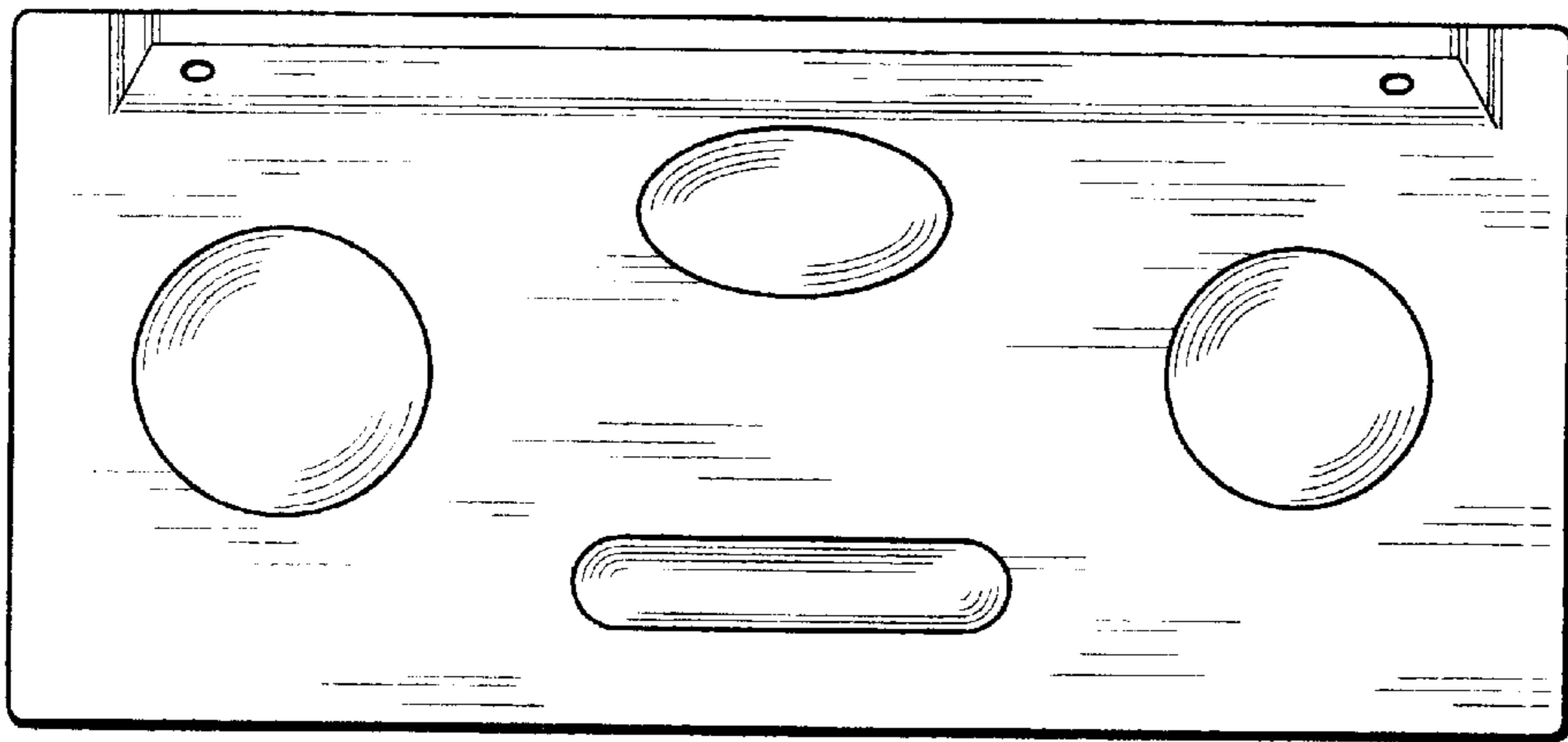


FIG. 13

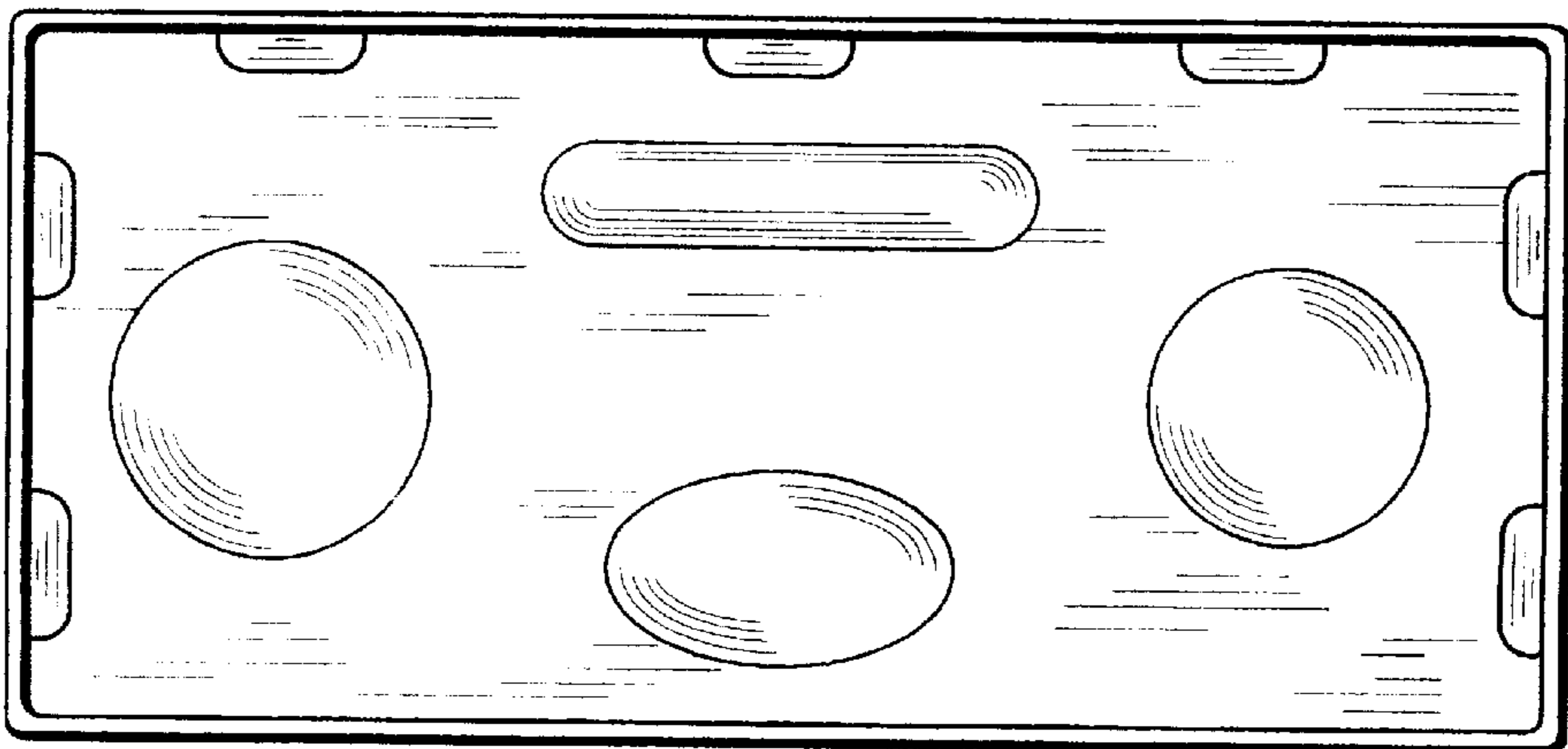


FIG. 14