



US00D457363S

(12) **United States Design Patent**
Fisher

(10) **Patent No.:** **US D457,363 S**

(45) **Date of Patent:** **** May 21, 2002**

(54) **REMOVABLE ARMREST FOR USE AT A
COMPUTER WORKSTATION**

D238,134 S * 12/1975 Alexander D6/501
D238,488 S * 1/1976 Vinson D6/501

(76) **Inventor:** **Gary R. Fisher**, 2240 Federal Ave.,
Los Angeles, CA (US) 90064

* cited by examiner

Primary Examiner—Janice E. Seeger

(**) **Term:** **14 Years**

(57) **CLAIM**

(21) **Appl. No.:** **29/138,995**

The ornamental design for a removable armrest for use at a computer workstation, as shown.

(22) **Filed:** **Mar. 22, 2001**

DESCRIPTION

(51) **LOC (7) Cl.** **06-06**

(52) **U.S. Cl.** **D6/501**

(58) **Field of Search** D6/491, 501, 509,
D6/511; 297/411.2, 411.21, 411.22, 411.23,
411.24, 411.3, 411.45, 411.46; 248/118,
118.1, 118.5; 400/715

FIG. 1 is a side perspective view of an armrest showing my new design;

FIG. 2 is a front elevational view thereof;

FIG. 3 is a rear elevational view thereof;

FIG. 4 is a side elevational view thereof;

FIG. 5 is top plan view thereof; and,

FIG. 6 is a bottom plan view thereof.

(56) **References Cited**

U.S. PATENT DOCUMENTS

3,206,249 A * 9/1965 Gateley 297/411.23

1 Claim, 2 Drawing Sheets

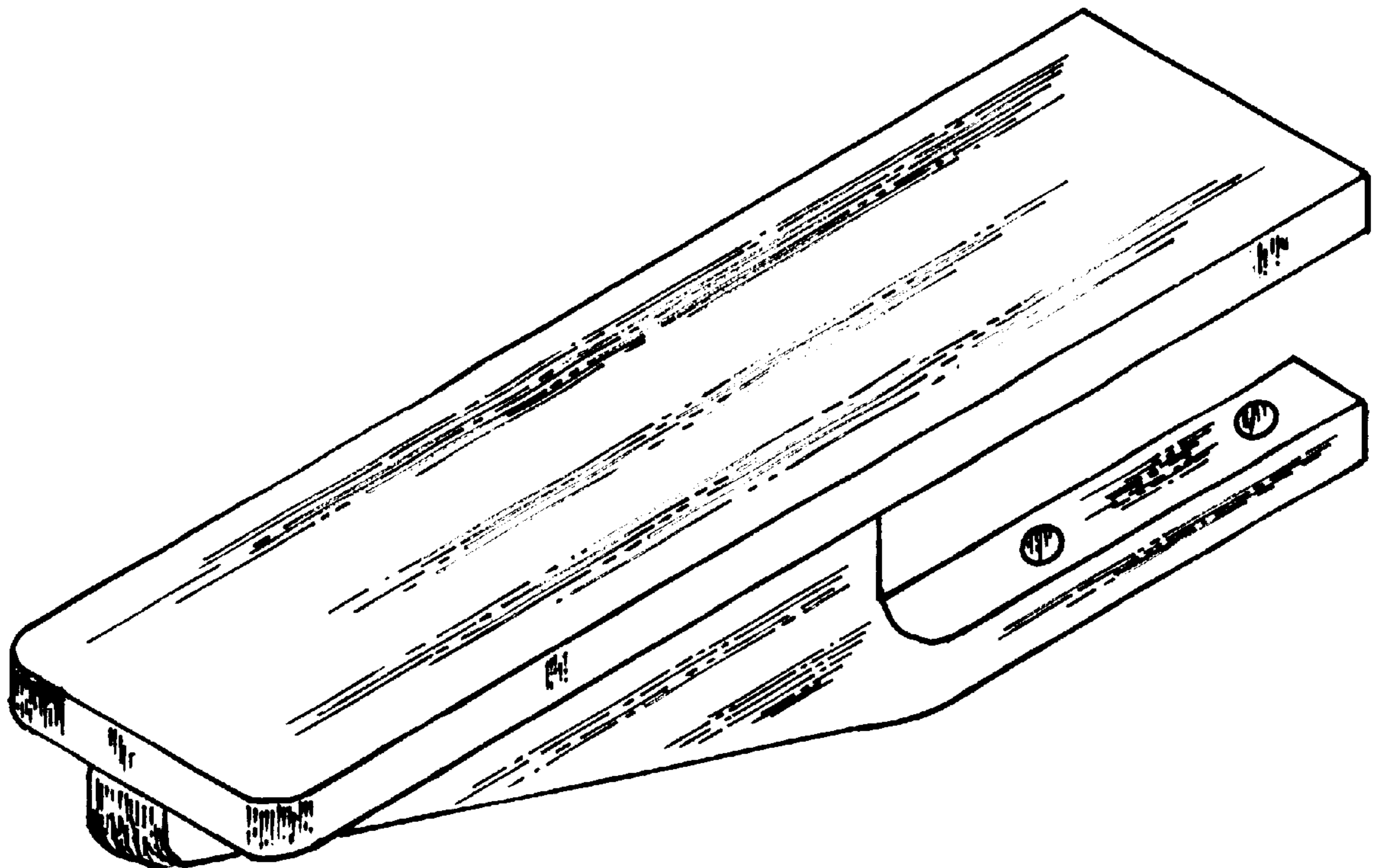


Fig. 1

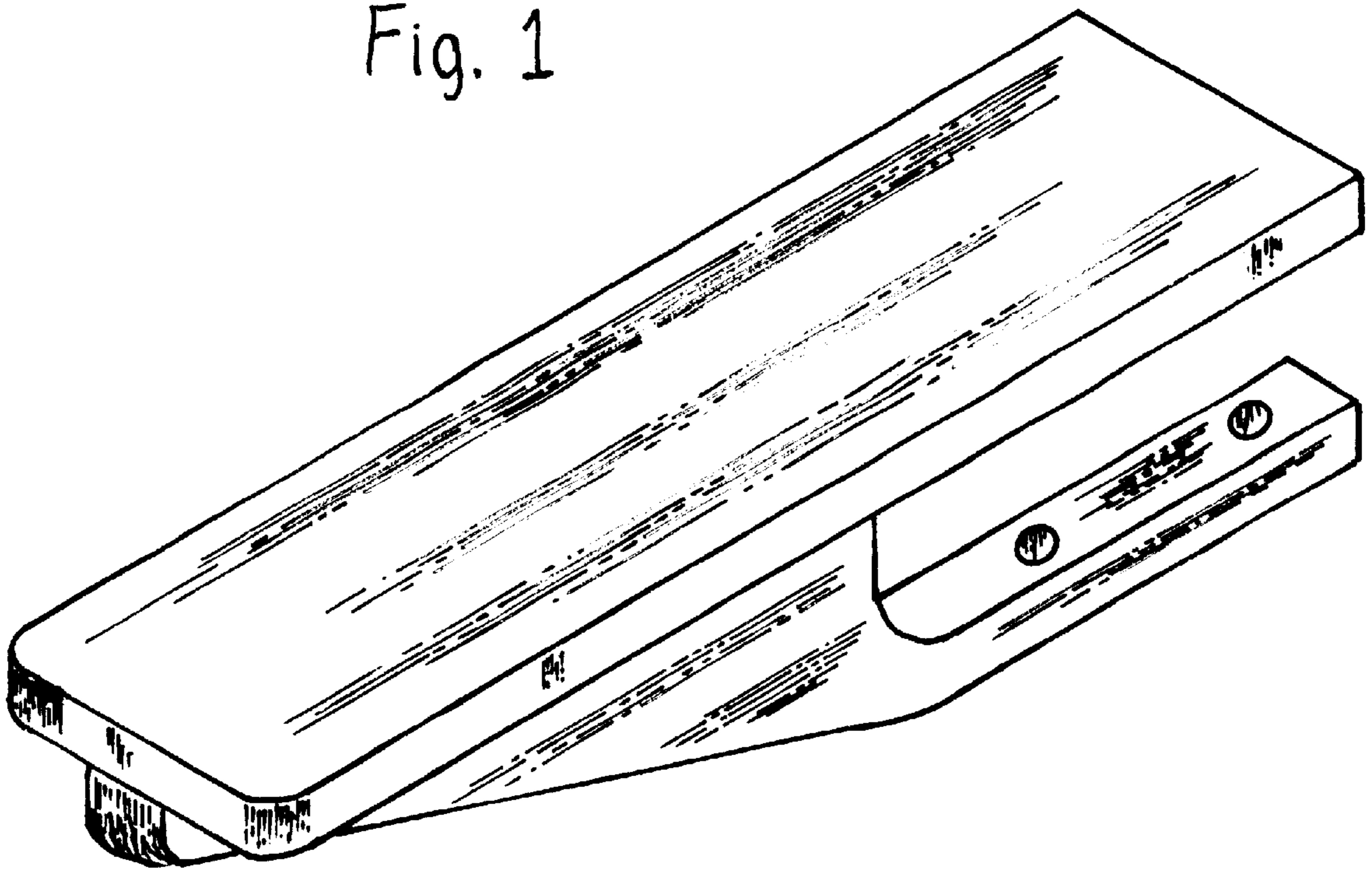


Fig. 2

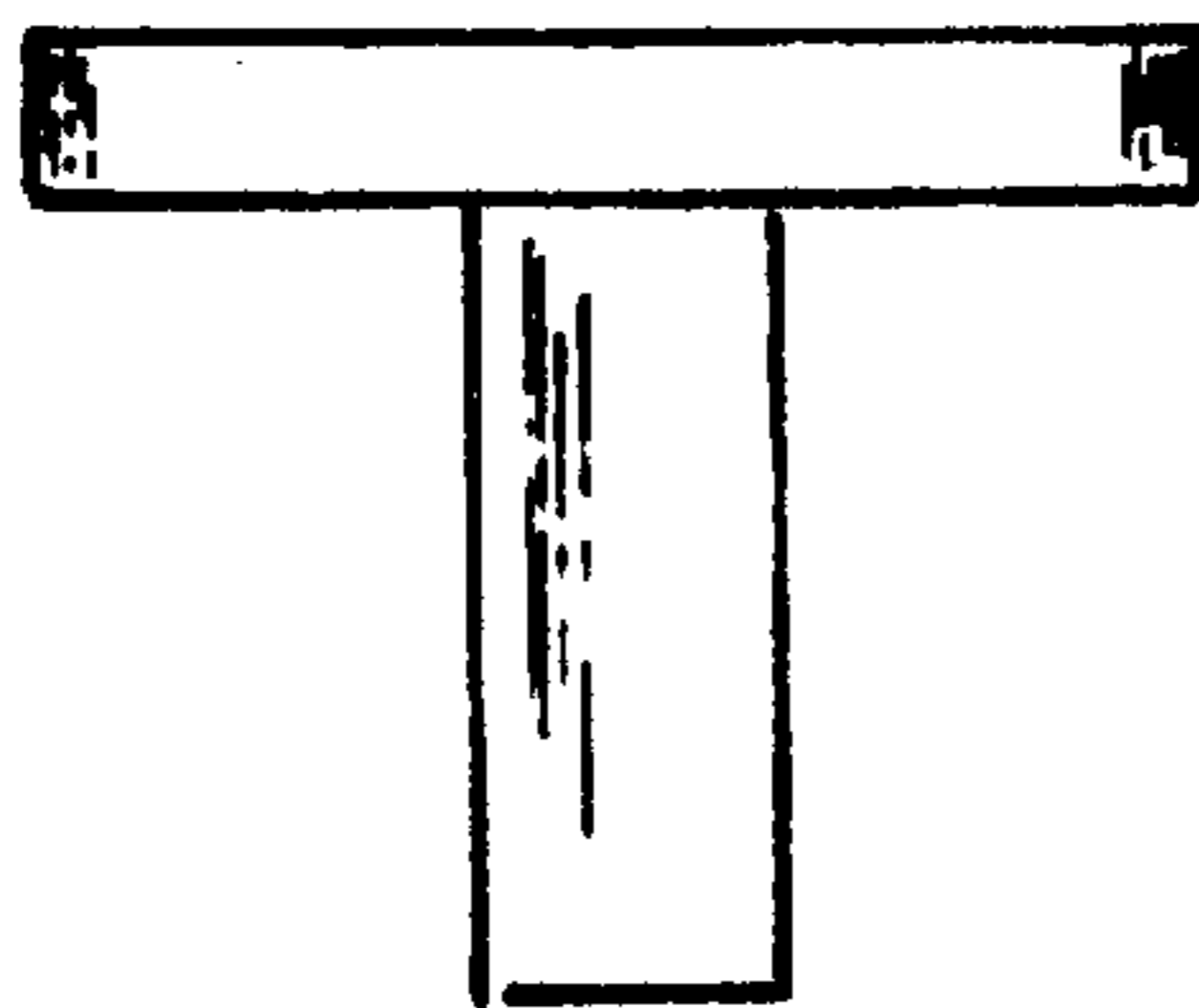


Fig. 3

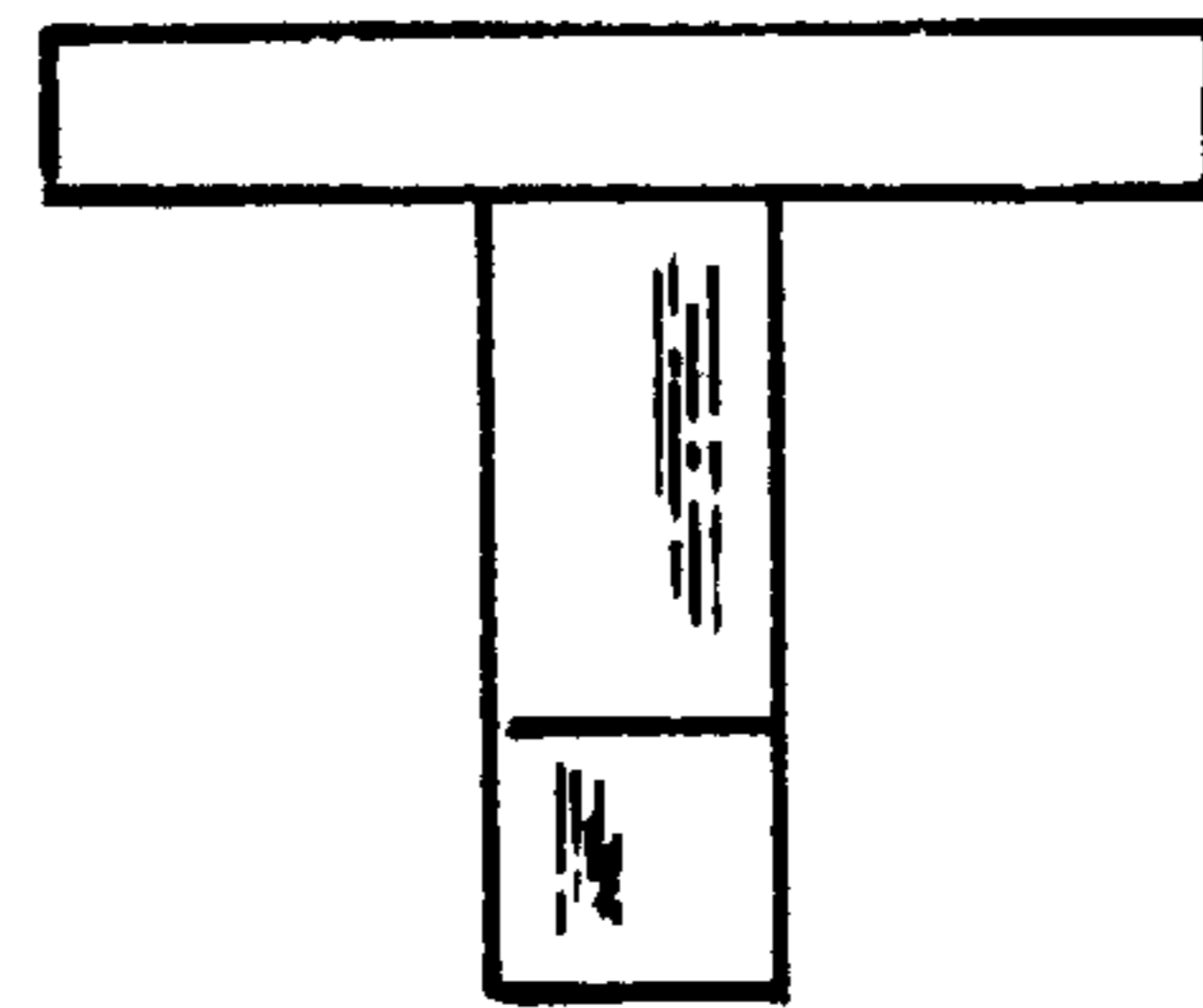


Fig 4

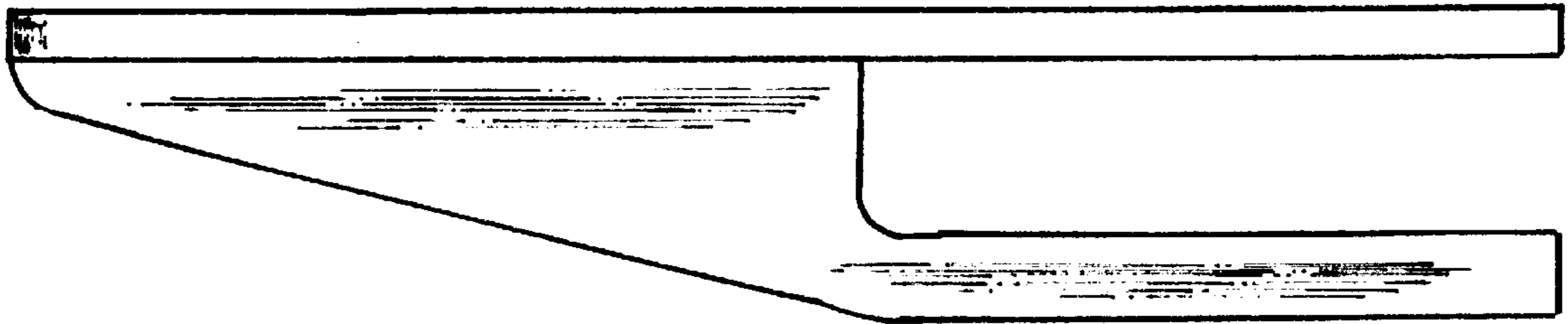


Fig. 5

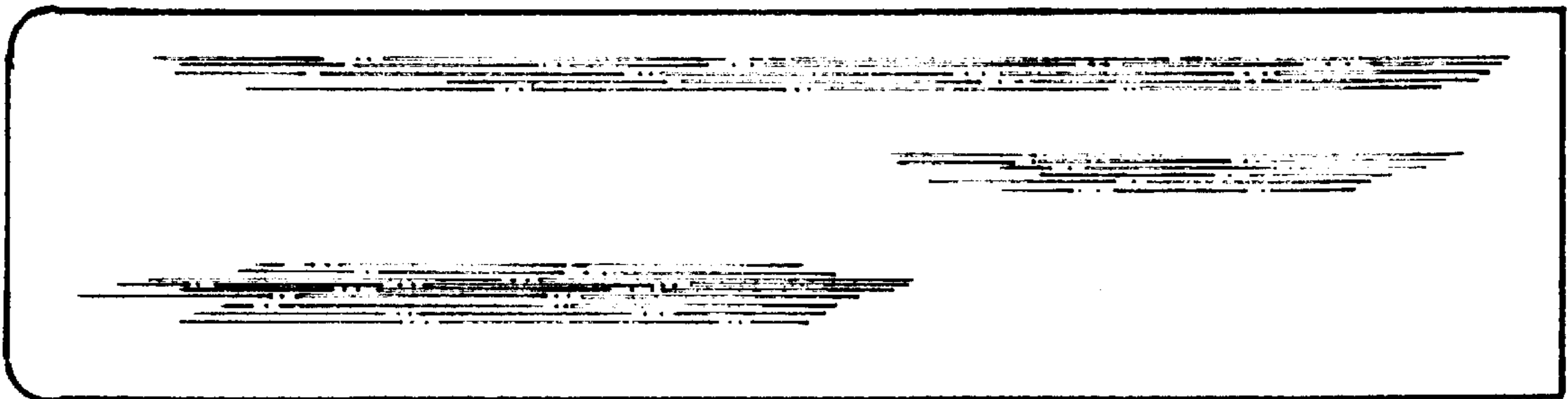


Fig. 6

