



US00D457362S

(12) **United States Design Patent**
Dudley

(10) **Patent No.:** **US D457,362 S**

(45) **Date of Patent:** **** May 21, 2002**

- (54) **SINGLE FOODSERVICE UNIT**
- (75) Inventor: **William R. Dudley**, Lawrenceville, GA (US)
- (73) Assignee: **Duke Manufacturing Company**, St. Louis, MO (US)
- (**) Term: **14 Years**
- (21) Appl. No.: **29/151,347**
- (22) Filed: **Dec. 3, 2001**

- 3,223,245 A * 12/1965 Weitzman 312/351.2
- D353,536 S * 12/1994 Tucker D6/411 X
- D406,706 S * 3/1999 Samborn et al. D20/41 X
- D410,253 S * 5/1999 Gagnon D20/41
- 5,943,828 A * 8/1999 Samborn et al. 312/140.4 X

* cited by examiner

Primary Examiner—Cathron C. Brooks
(74) *Attorney, Agent, or Firm*—R. G. Heywood

Related U.S. Application Data

- (60) Division of application No. 29/145,884, filed on Jul. 31, 2001, which is a continuation-in-part of application No. 29/130,207, filed on Sep. 28, 2000.
- (51) **LOC (7) Cl.** **06-04**
- (52) **U.S. Cl.** **D6/495; D6/509**
- (58) **Field of Search** D6/396, 397, 402, D6/411, 413, 414, 423, 436, 470, 495, 481; D20/41, 42; 211/182, 184; 312/140.4, 351.2

References Cited

U.S. PATENT DOCUMENTS

- 2,913,209 A * 11/1959 Arnold D20/41

(57) **CLAIM**

The ornamental design for a single foodservice unit, as shown and described.

DESCRIPTION

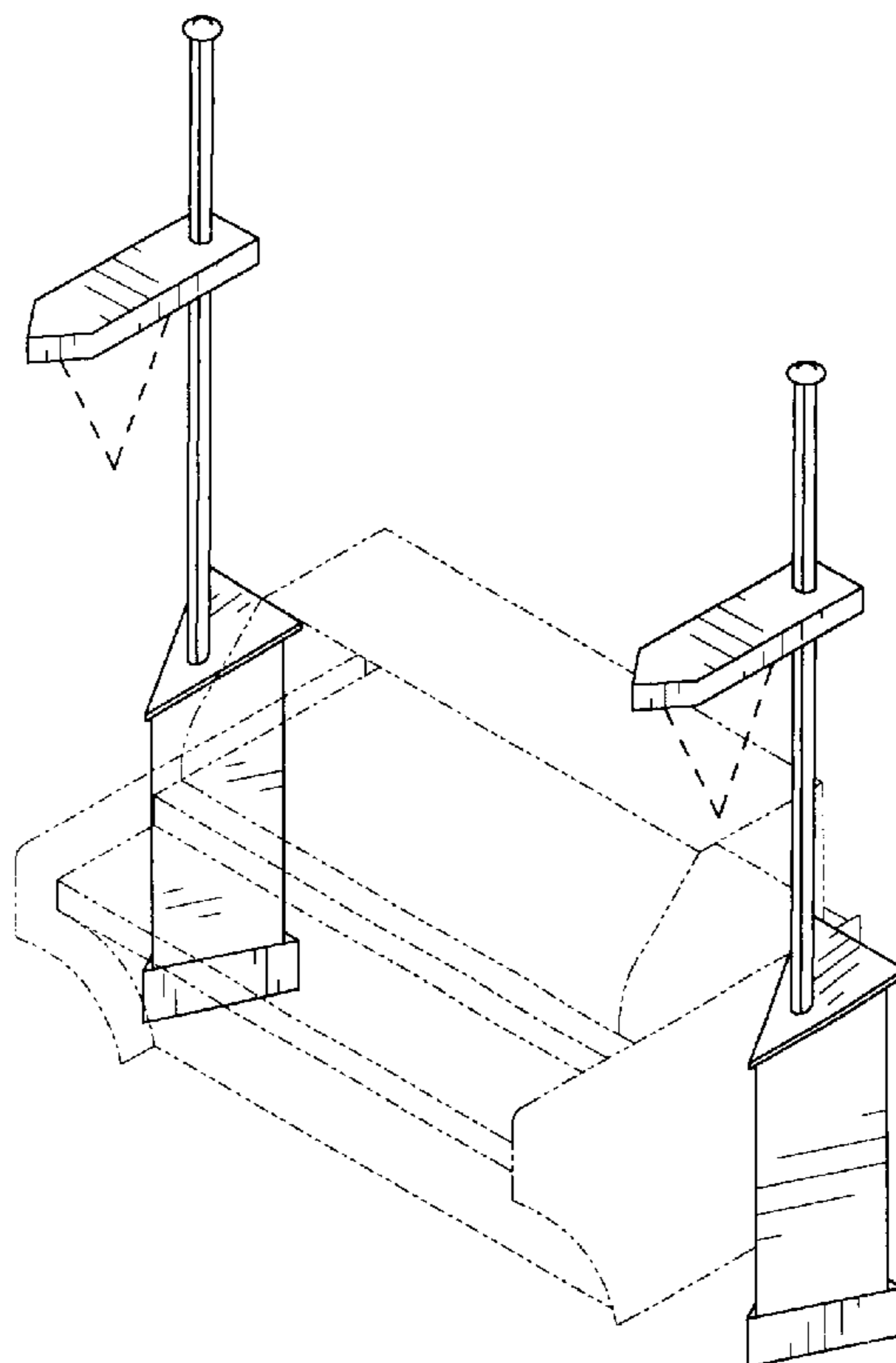
FIG. 1 is a front perspective view of a single foodservice unit illustrating the invention design of flanking free-standing pylons on each side of the counter portion of a typical foodservice unit,

FIG. 2 is a rear perspective view of the single foodservice unit of FIG. 1; and,

FIG. 3 is a front elevational view thereof.

The broken line showing of the counter portion of a typical food service unit is for illustrative purposes only and forms no part of the claimed design.

1 Claim, 2 Drawing Sheets



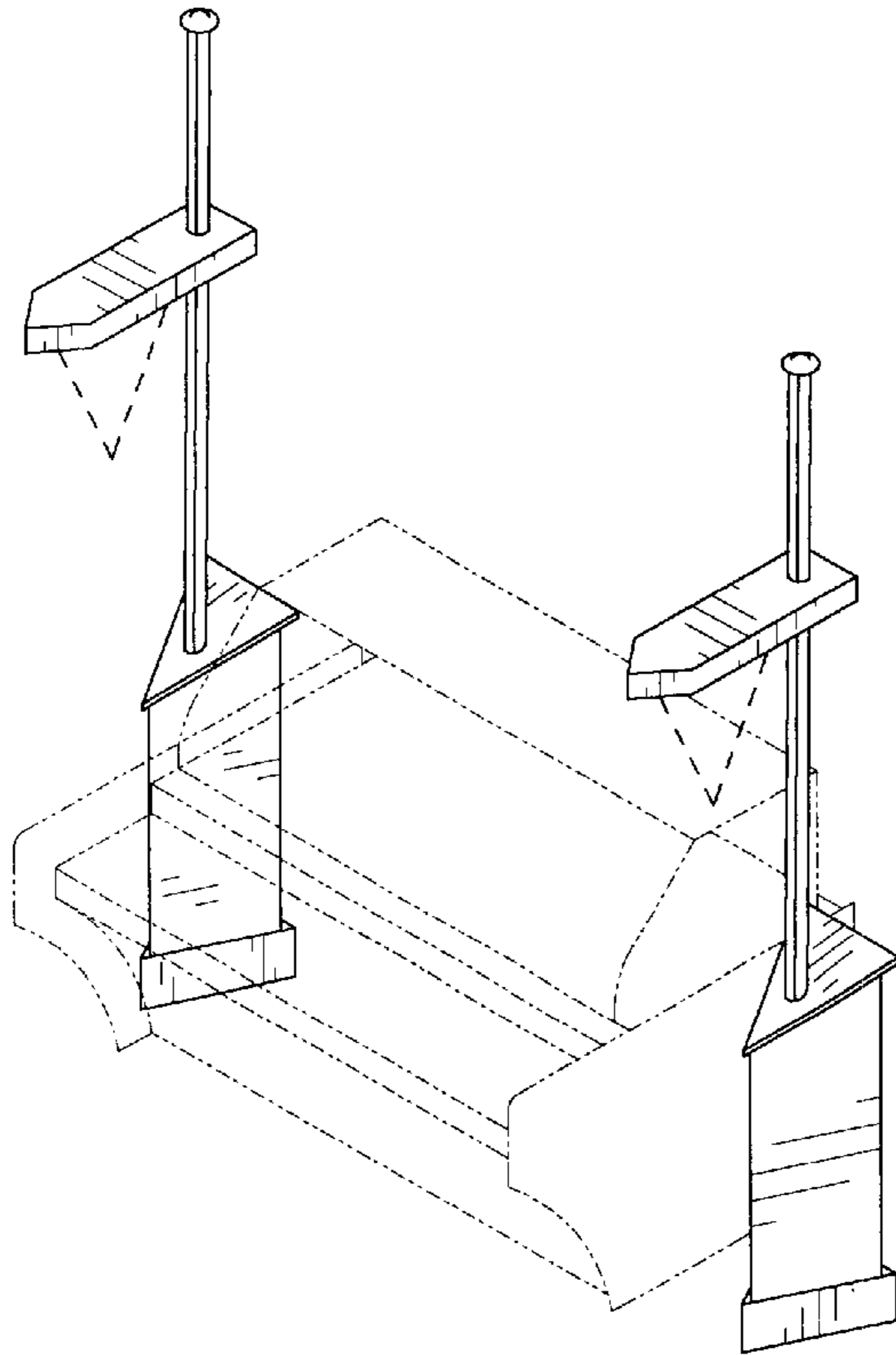
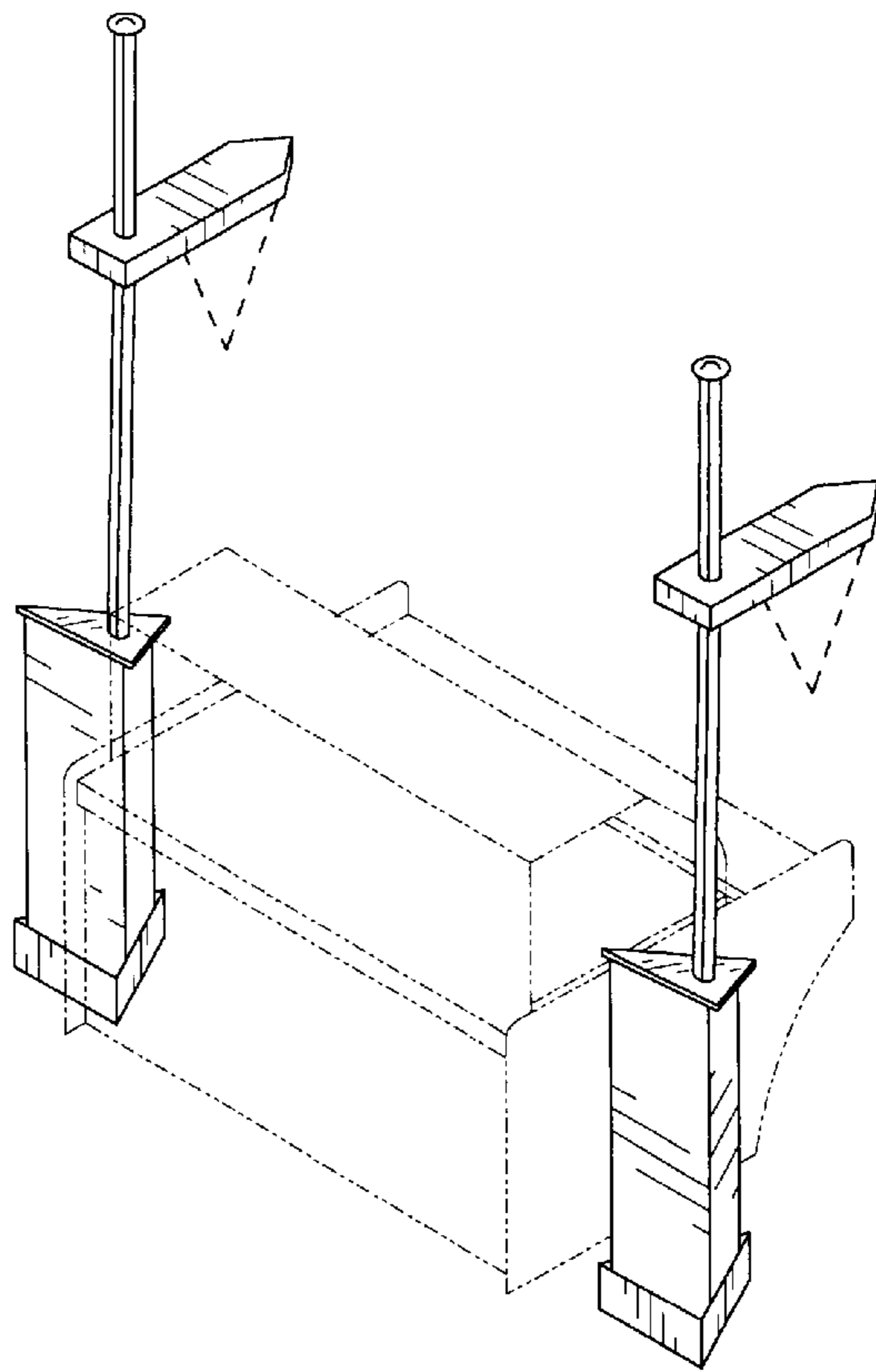


FIG. 1

FIG. 2



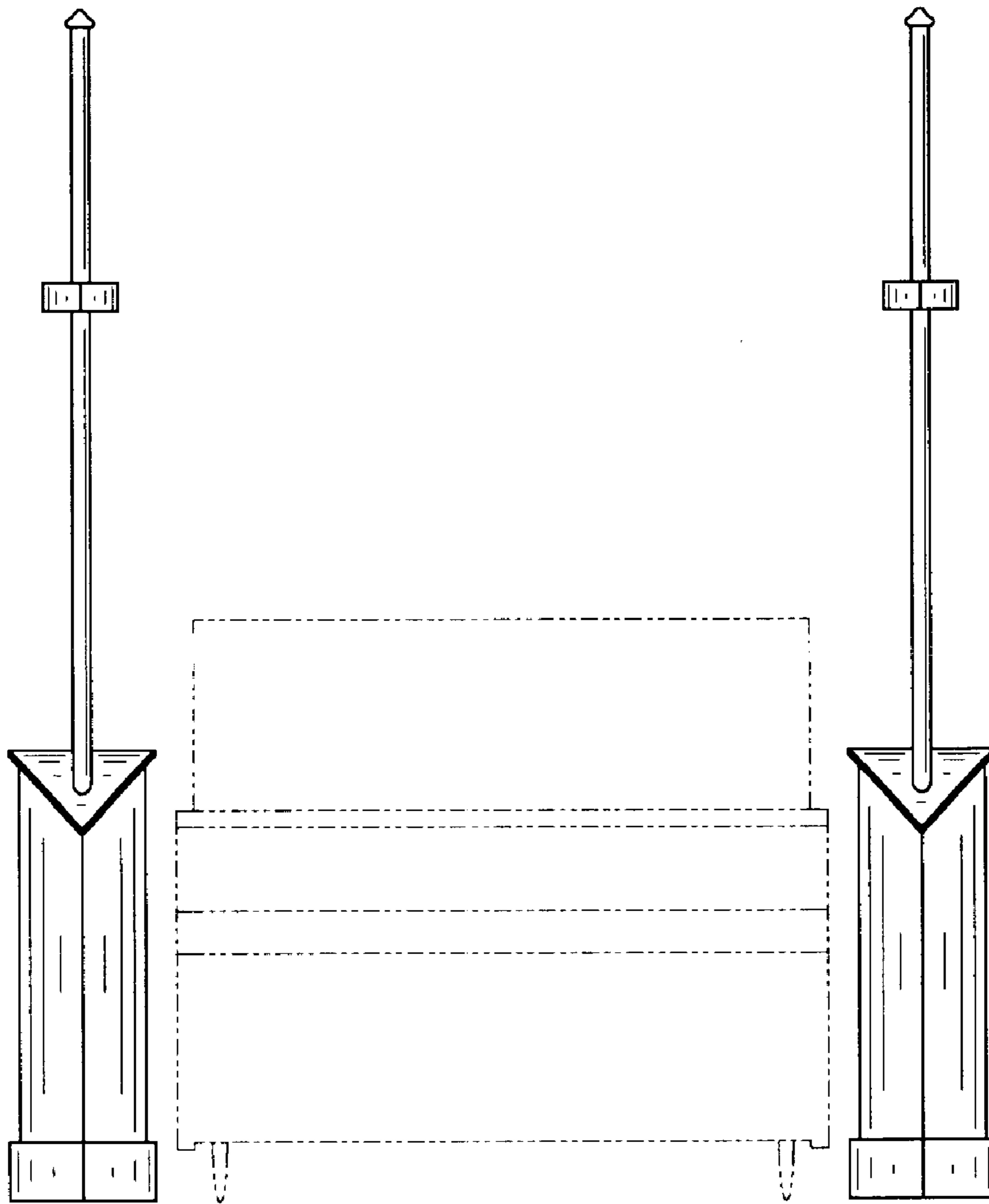


FIG. 3