

US00D457361S

(12) **United States Design Patent**
Dudley

(10) **Patent No.:** **US D457,361 S**

(45) **Date of Patent:** **** May 21, 2002**

(54) **MULTIPLE FOODSERVICE UNIT**

D410,253 S * 5/1999 Gagnon D20/41
5,943,828 A * 8/1999 Samborn et al. 312/140.4 X

(75) Inventor: **William R. Dudley**, Lawrenceville, GA (US)

* cited by examiner

(73) Assignee: **Duke Manufacturing Company**, St. Louis, MO (US)

Primary Examiner—Cathron C. Brooks
(74) *Attorney, Agent, or Firm*—R. G. Heywood

(**) Term: **14 Years**

(57) **CLAIM**

(21) Appl. No.: **29/145,871**

The ornamental design for multiple foodservice unit, as shown and described.

(22) Filed: **Jul. 31, 2001**

DESCRIPTION

Related U.S. Application Data

(62) Division of application No. 29/130,208, filed on Sep. 28, 2000.

(51) **LOC (7) Cl.** **06-06**

(52) **U.S. Cl.** **D6/495**

(58) **Field of Search** D6/396, 397, 402, D6/411, 413, 414, 423, 436, 470, 495, 481; D20/41, 42; 211/182, 184; 312/140.4, 351.2; 261/DIG. 14

FIG. 1 is a front perspective view showing one embodiment of multiple foodservice unit illustrating the inventive design of flanking free-standing pylons on each side of typical foodservice counters,

FIG. 2 is a rear perspective view of the first embodiment of FIG. 1,

FIG. 3 is a front perspective view of a second embodiment of the invention showing an alternative arrangement of multiple foodservice unit; and,

FIG. 4 is a rear perspective view of the second embodiment of FIG. 3.

(56) **References Cited**

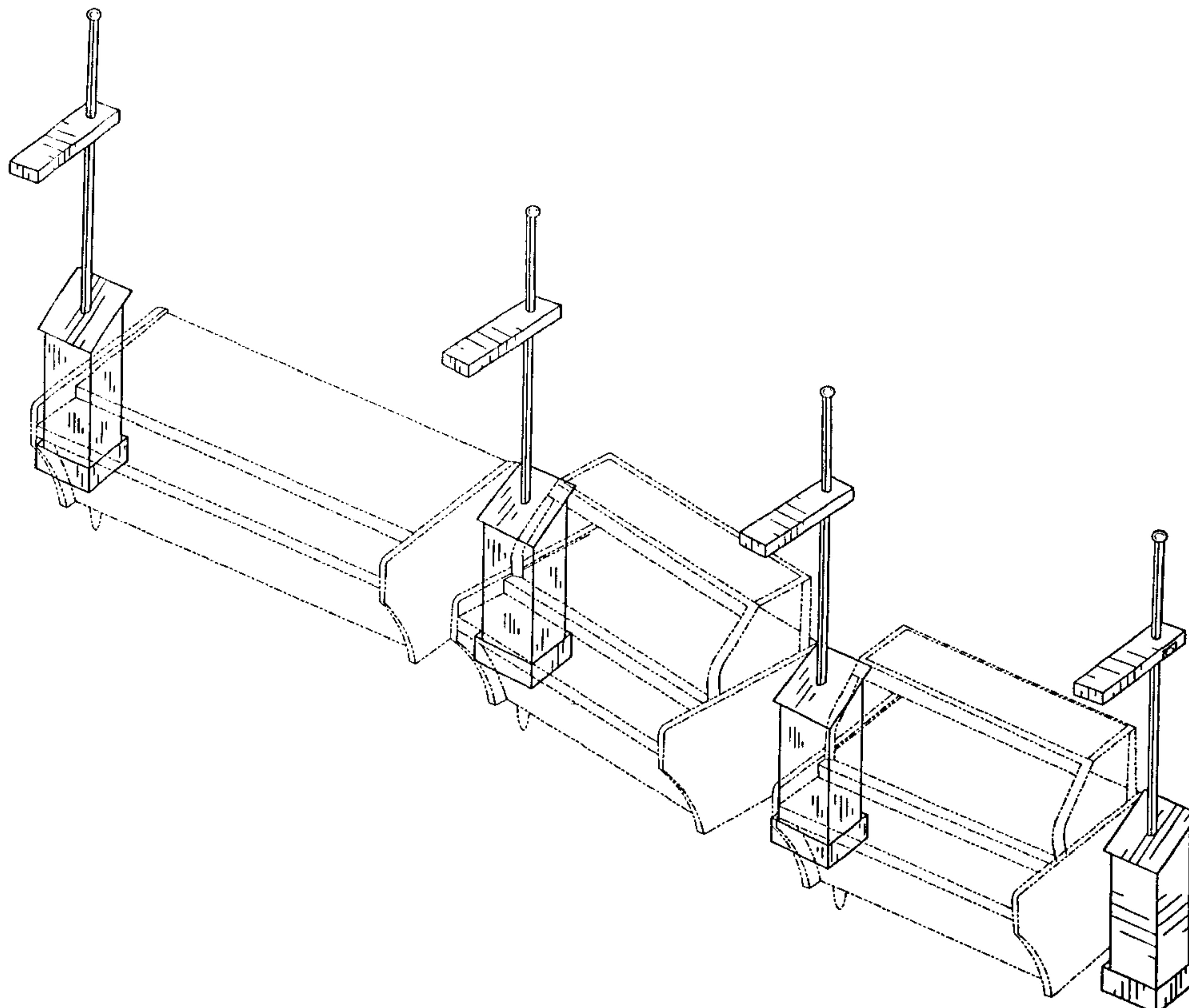
U.S. PATENT DOCUMENTS

- 2,913,209 A * 11/1959 Arnold D20/41
- 3,223,245 A * 12/1965 Weitzman 312/351.2
- D353,536 S * 12/1994 Tucker D6/411 X
- D406,706 S * 3/1999 Samborn et al. D20/41 X

Novel features of the present design reside in the spatial relationship between multiple foodservice counters with intermediate and/or flanking free-standing pylons.

The broken lines shown are for illustrative purposes only and forms no part of the claimed design.

1 Claim, 3 Drawing Sheets



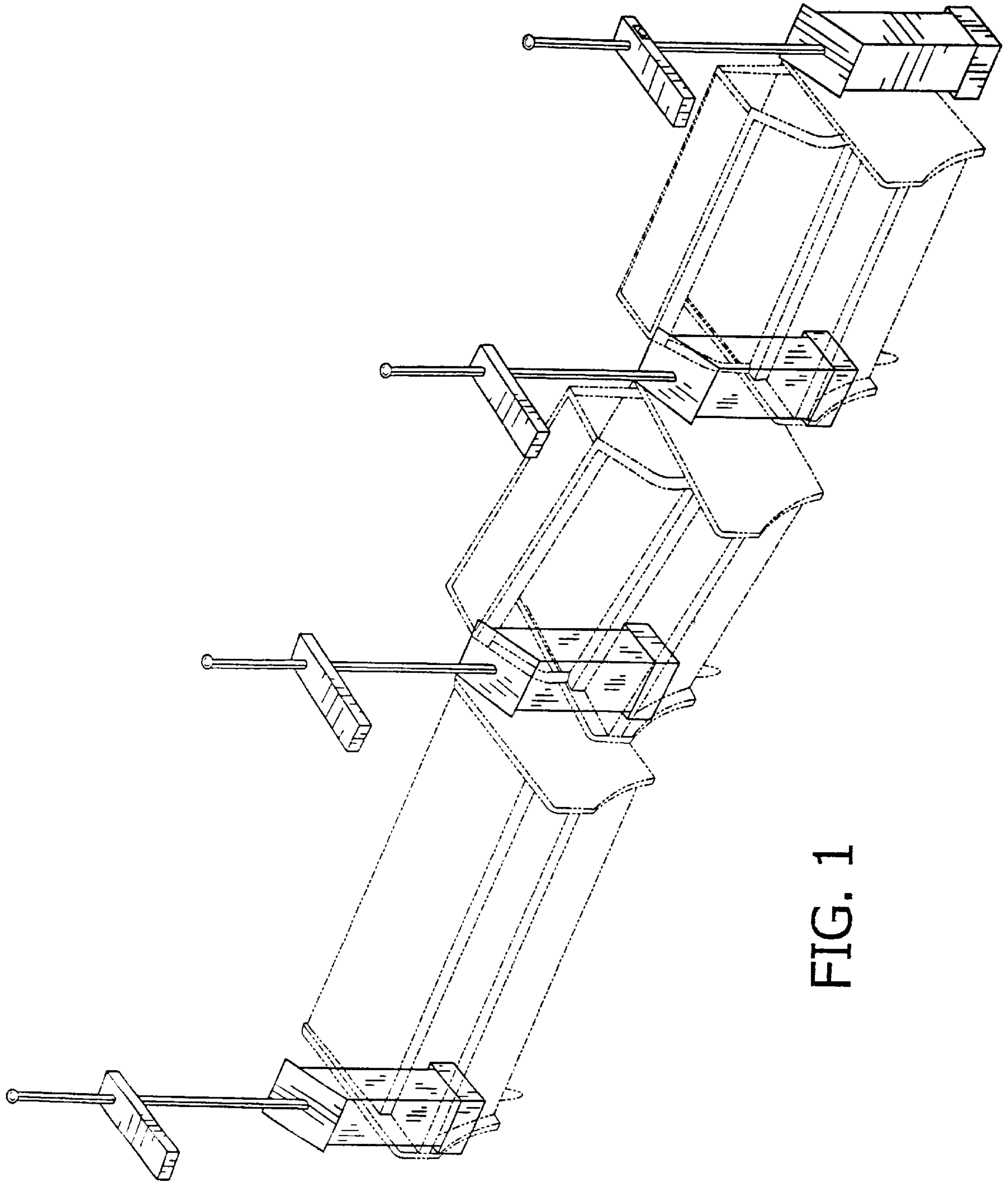


FIG. 1

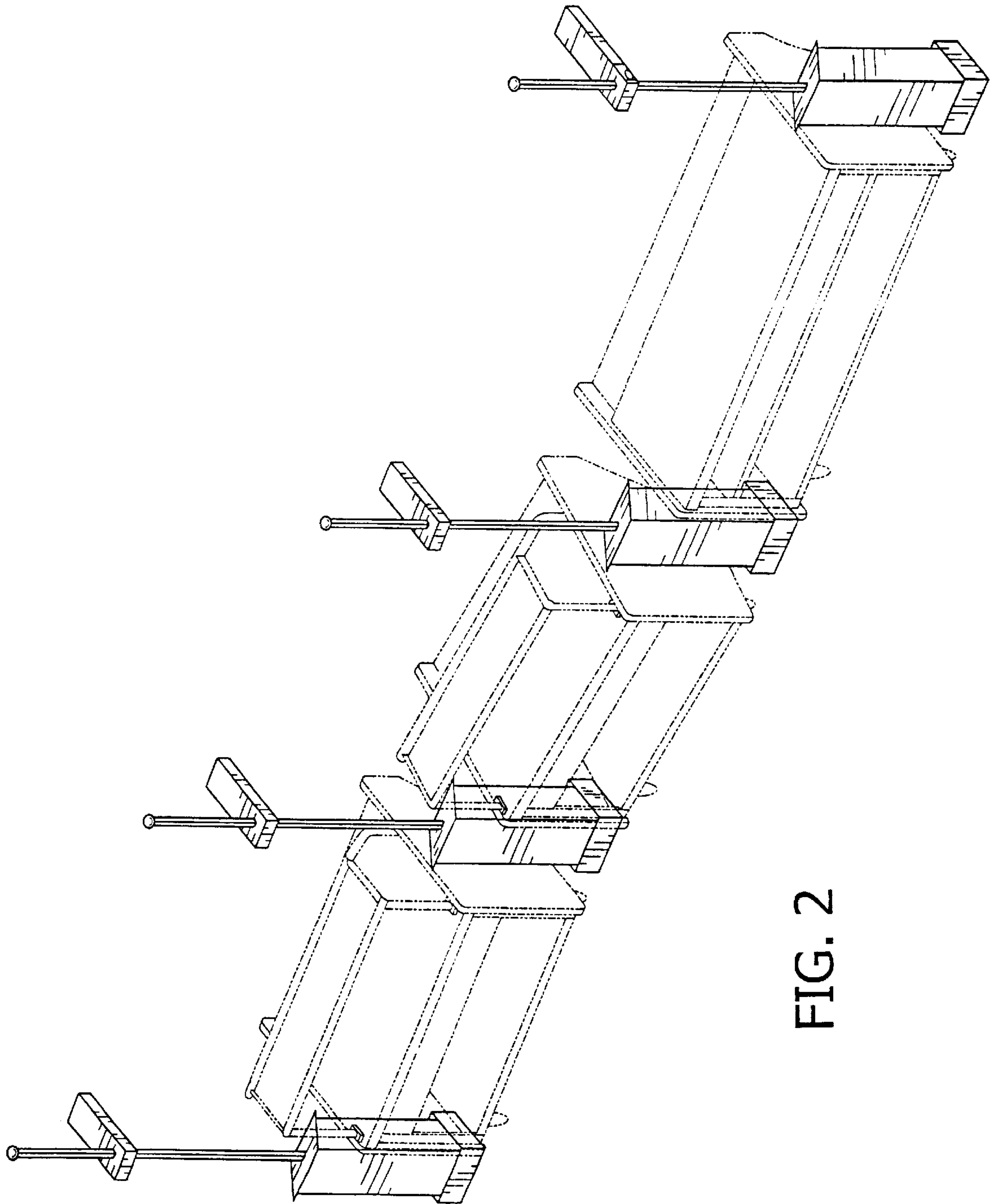


FIG. 2

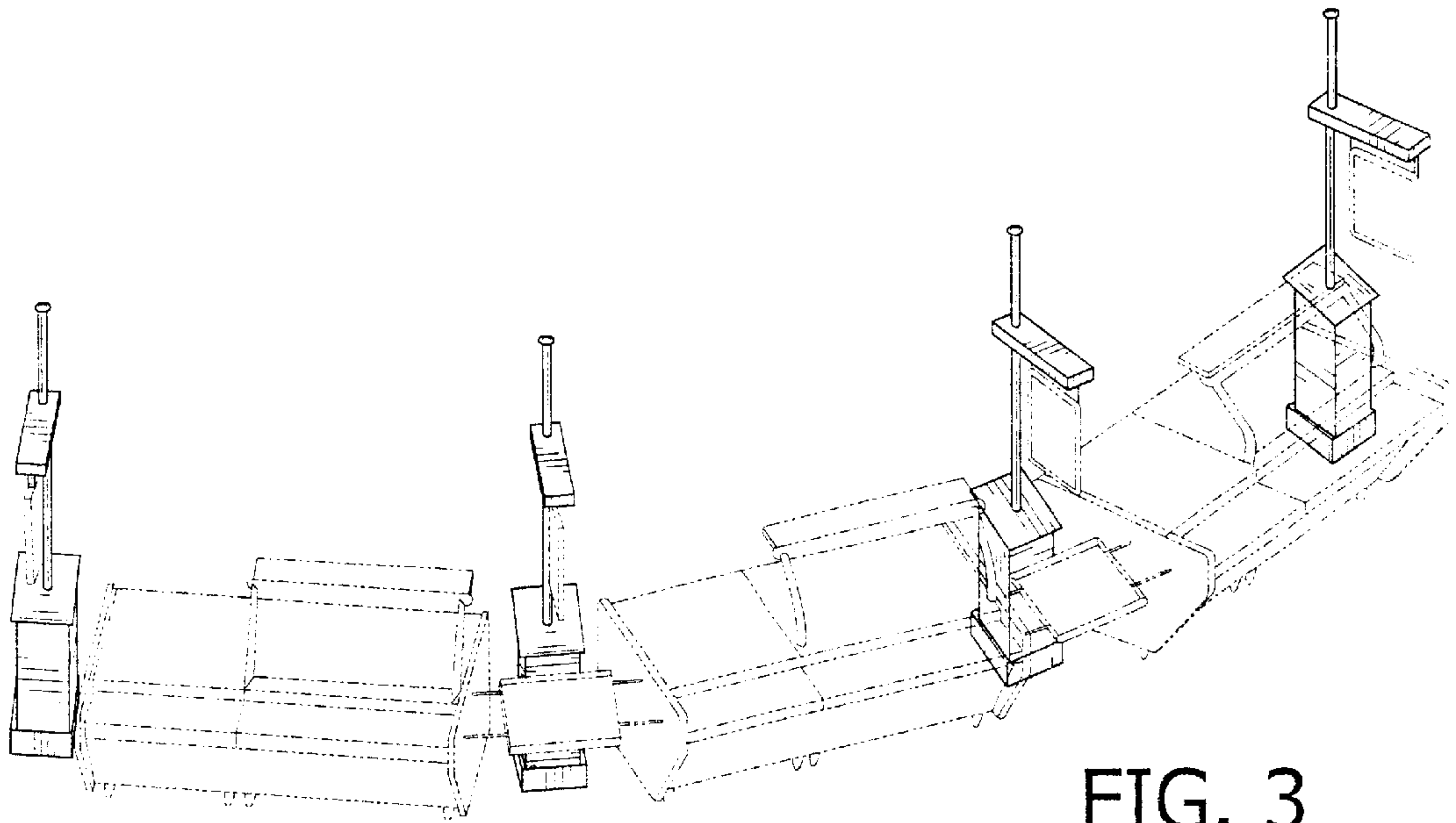


FIG. 3

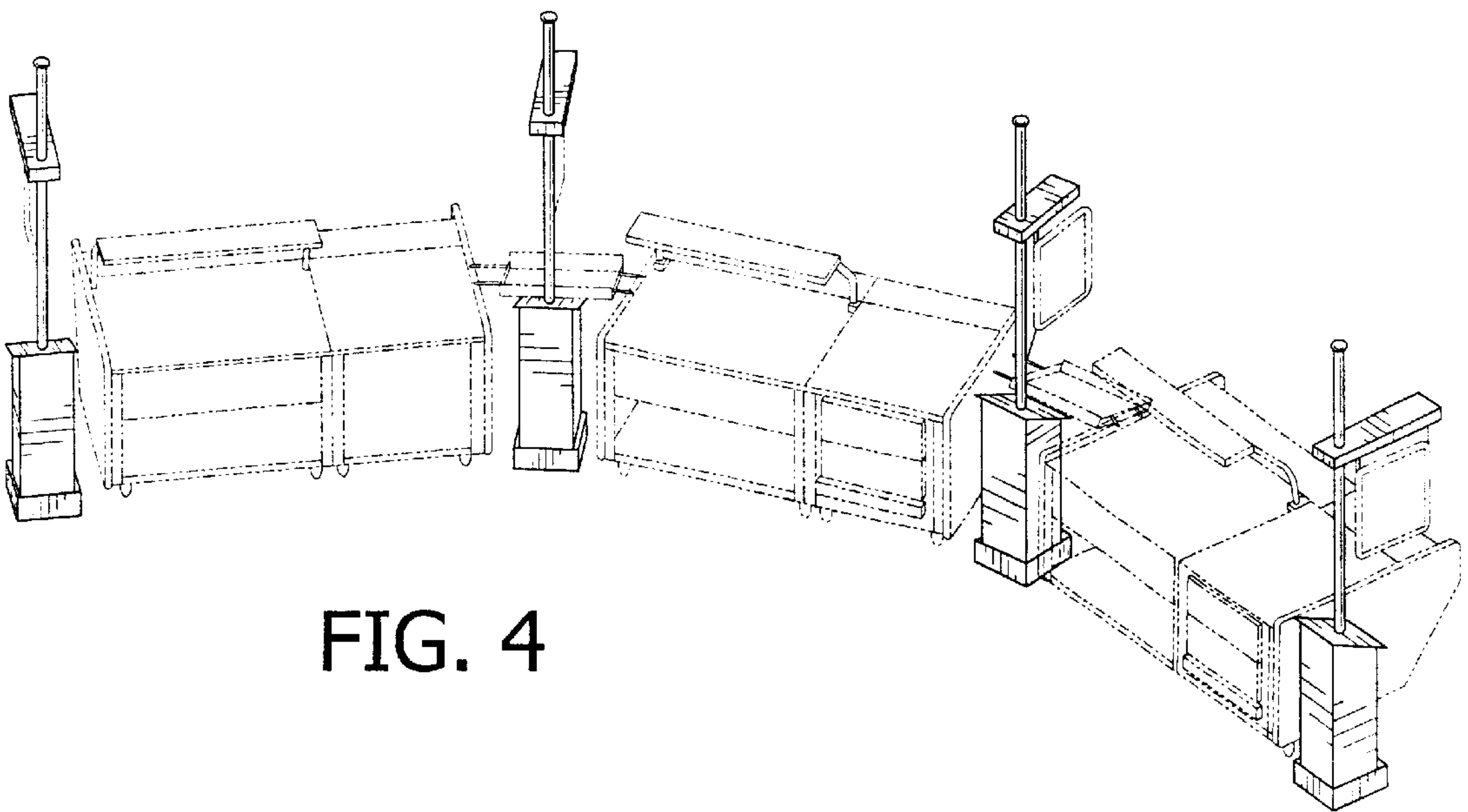


FIG. 4