



US00D457359S

(12) **United States Design Patent**
Chan

(10) **Patent No.:** **US D457,359 S**

(45) **Date of Patent:** **** May 21, 2002**

(54) **PRIVACY SCREEN**
(75) Inventor: **Eric Ping Pang Chan**, New York, NY (US)
(73) Assignee: **Herman Miller, Inc.**, Zeeland, MI (US)
(**) Term: **14 Years**

5,875,597 A 3/1999 Gingrich et al.
5,877,896 A 3/1999 Gremban
5,890,782 A 4/1999 Alberts
5,966,879 A 10/1999 Verbeek et al.
6,032,684 A 3/2000 Narron
D423,828 S 5/2000 Wilkinson
D427,783 S 7/2000 Luedke
6,101,954 A 8/2000 Rein et al.
6,213,191 B1 * 4/2001 Nitzsche 160/351

(21) Appl. No.: **29/128,890**

* cited by examiner

(22) Filed: **Aug. 31, 2000**

Primary Examiner—Cathron C. Brooks

(51) **LOC (7) Cl.** **06-06**

(74) *Attorney, Agent, or Firm*—Brinks Hofer Gilson & Lione

(52) **U.S. Cl.** **D6/492; D6/509**

(58) **Field of Search** D6/332, 396, 414,
D6/421, 426, 449, 491, 492, 397, 509;
D25/58; 108/50, 50.11, 60, 61; 135/901;
160/135, 351; 211/180; 312/4-6, 194, 195,
265.1, 265.4

(57) **CLAIM**

The ornamental design for a privacy screen, as shown and described.

DESCRIPTION

(56) **References Cited**

FIG. 1 is a perspective view of a privacy screen;
FIG. 2 is a front view of the screen shown in FIG. 1;
FIG. 3 is a rear view of the screen shown in FIG. 1;
FIG. 4 is a left side view of the screen shown in FIG. 1;
FIG. 5 is a right side view of the screen shown in FIG. 1;
FIG. 6 is a top view of the screen shown in FIG. 1; and,
FIG. 7 is a bottom view of the screen shown in FIG. 1.
The broken line defining the bottom of the screen in the Figures represents the bounds of the claimed design, while all other broken lines, including those showing the work-surface and the portion of the screen secured therebeneath, are for environmental or illustrative purposes only. The broken lines do not form any part of the claimed design.

U.S. PATENT DOCUMENTS

3,326,147 A 6/1967 Toney
D257,812 S 1/1981 Cyplik
4,516,620 A 5/1985 Mulhern
4,759,520 A 7/1988 Levine
4,784,468 A 11/1988 Tierney
4,874,027 A 10/1989 Boundy et al.
D325,836 S * 5/1992 Morton D6/491
5,115,345 A 5/1992 Hobson et al.
5,177,912 A 1/1993 Ball
D353,946 S 1/1995 Fischer et al.
D371,262 S * 7/1996 Forbes, Sr. D6/491
D374,512 S * 10/1996 Kiley et al. D6/491 X
D383,337 S * 9/1997 Lerner D6/491
5,730,666 A 3/1998 Hudson

1 Claim, 3 Drawing Sheets

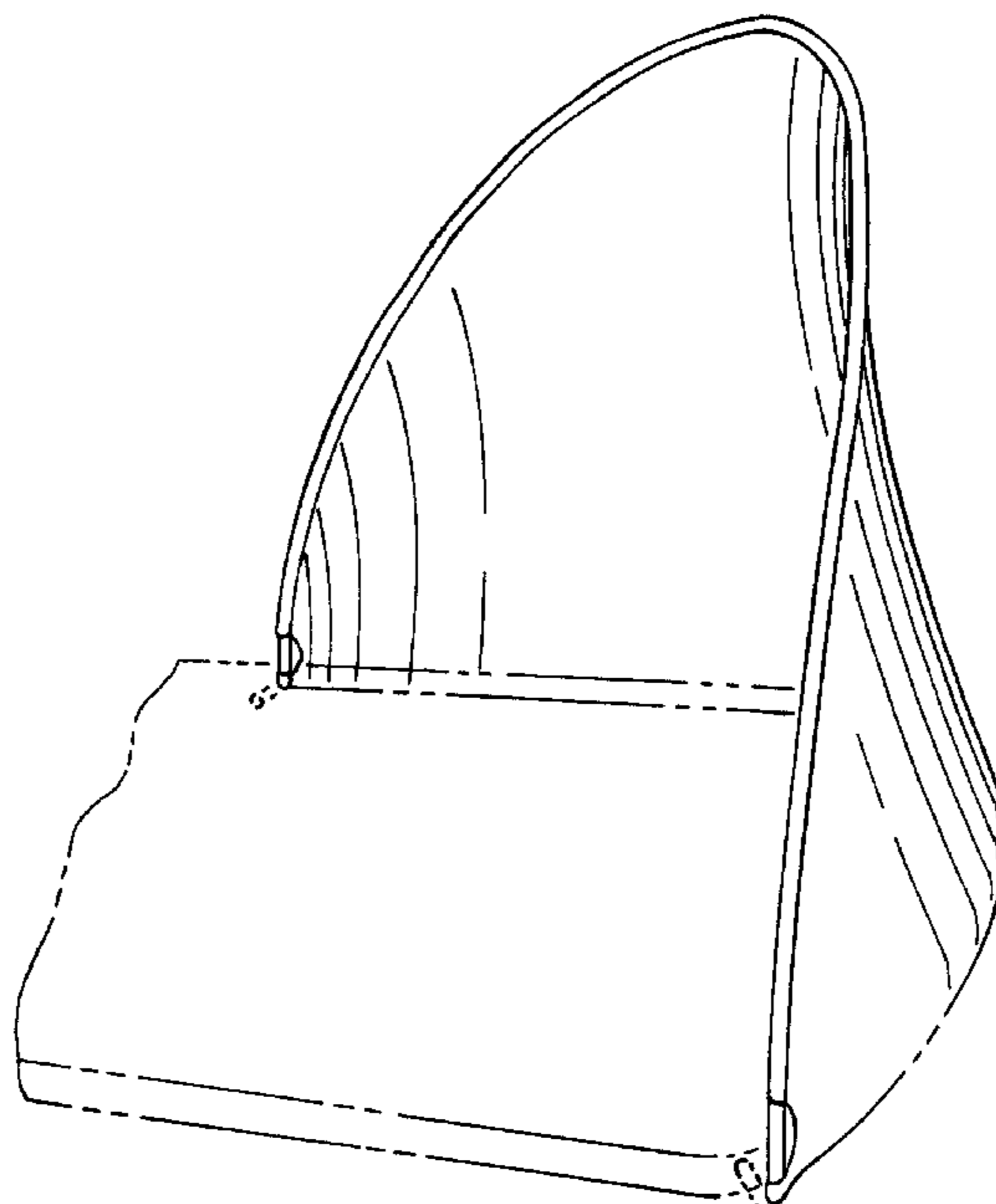


FIG. 1

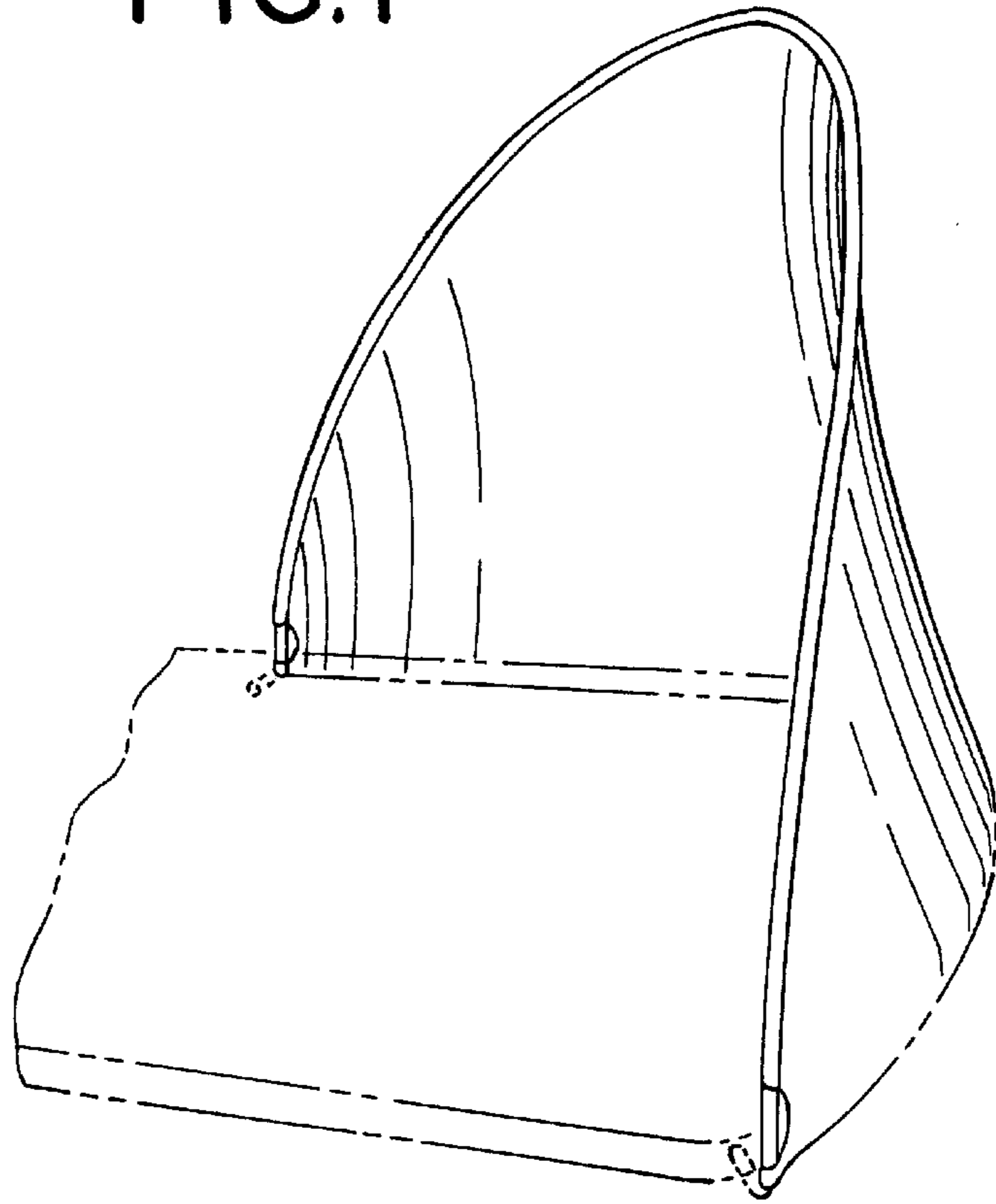


FIG. 2

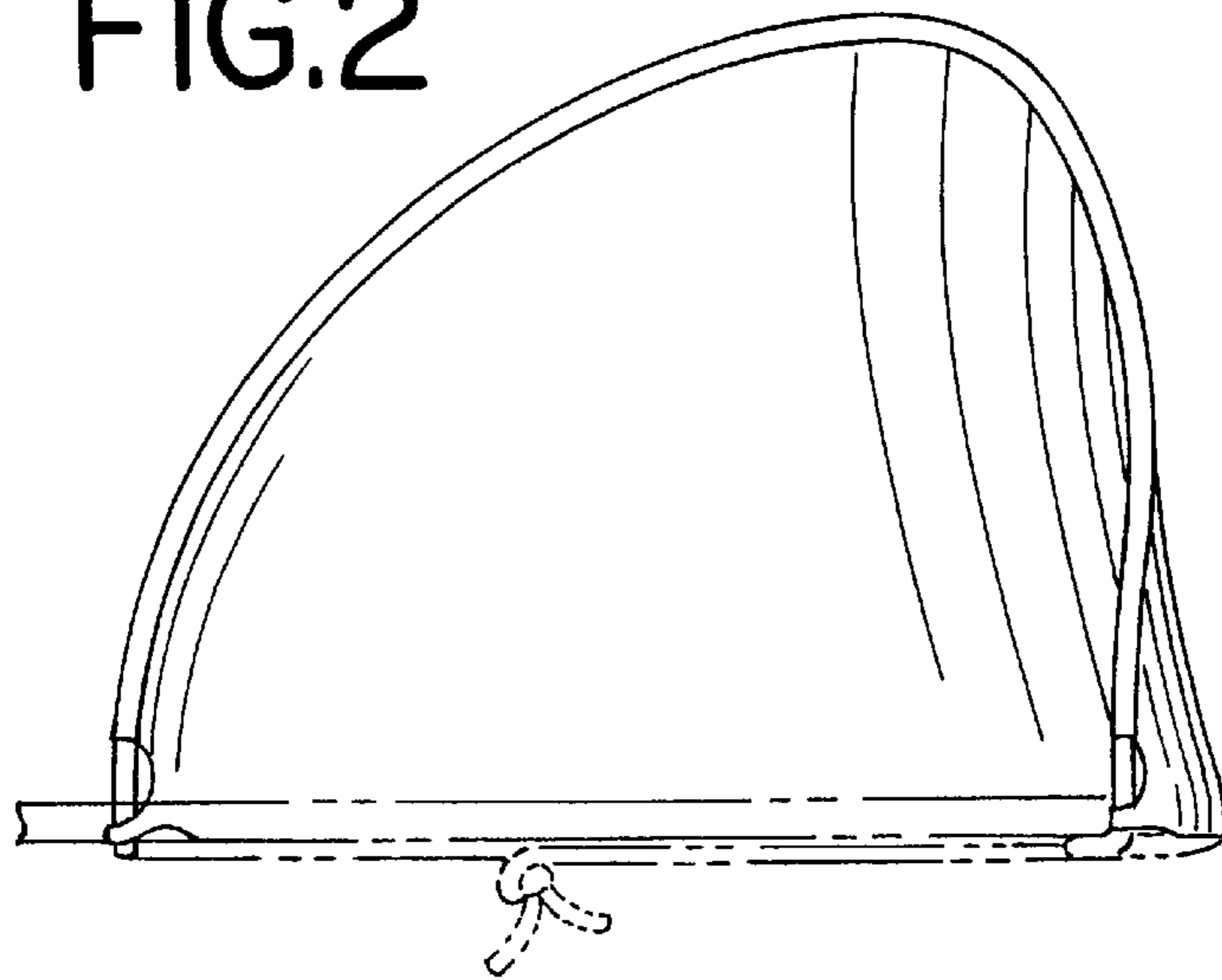


FIG.3

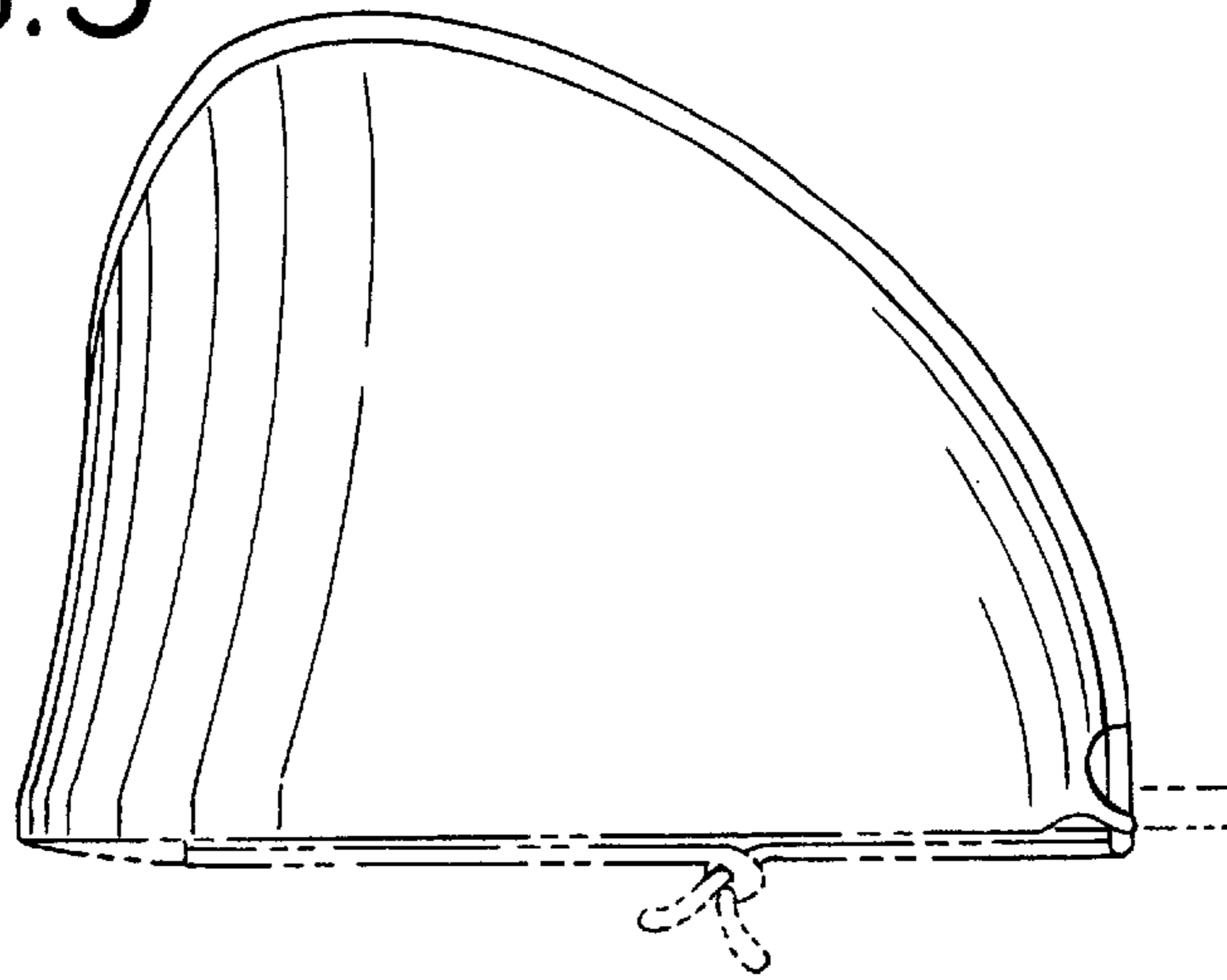


FIG.4

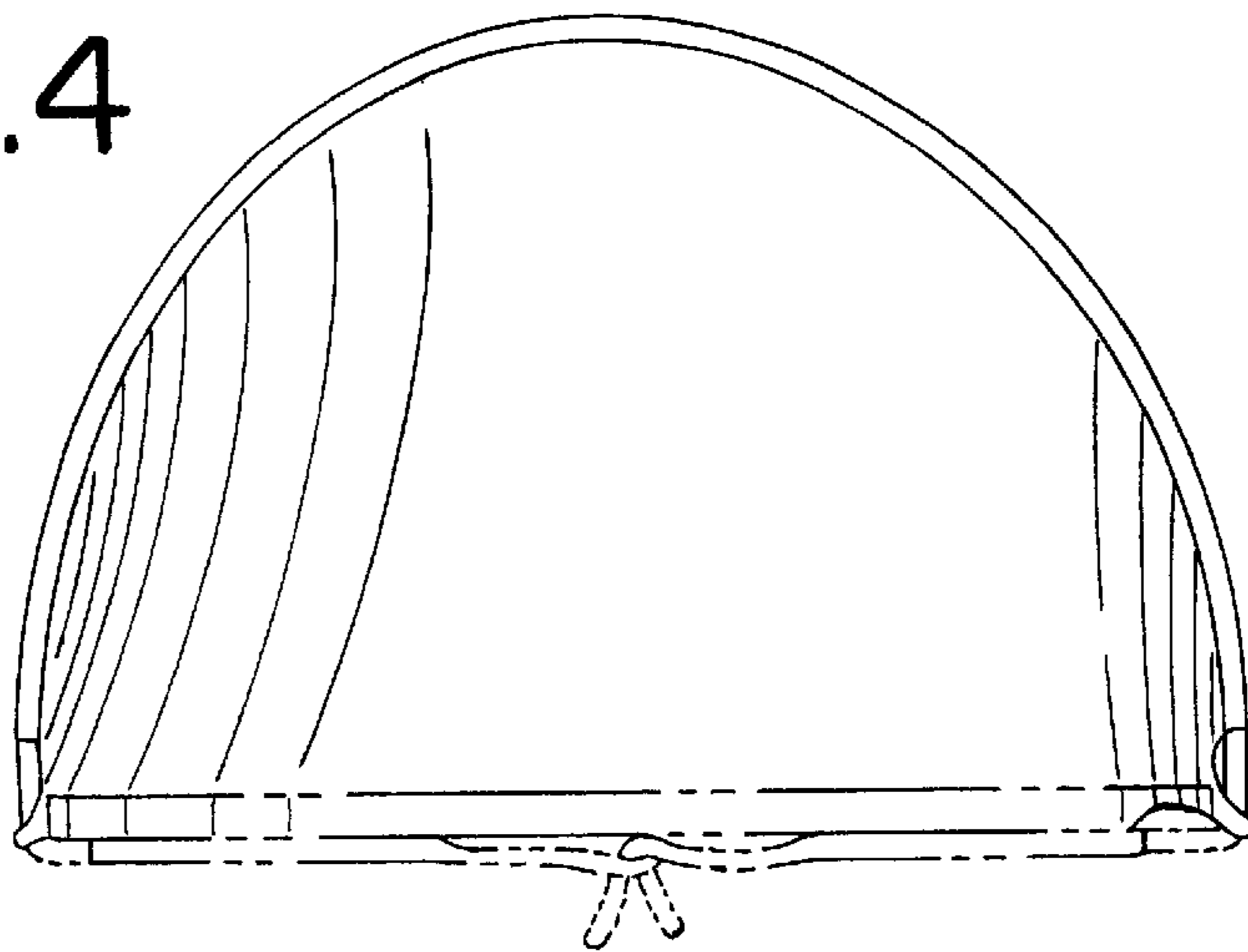


FIG.5

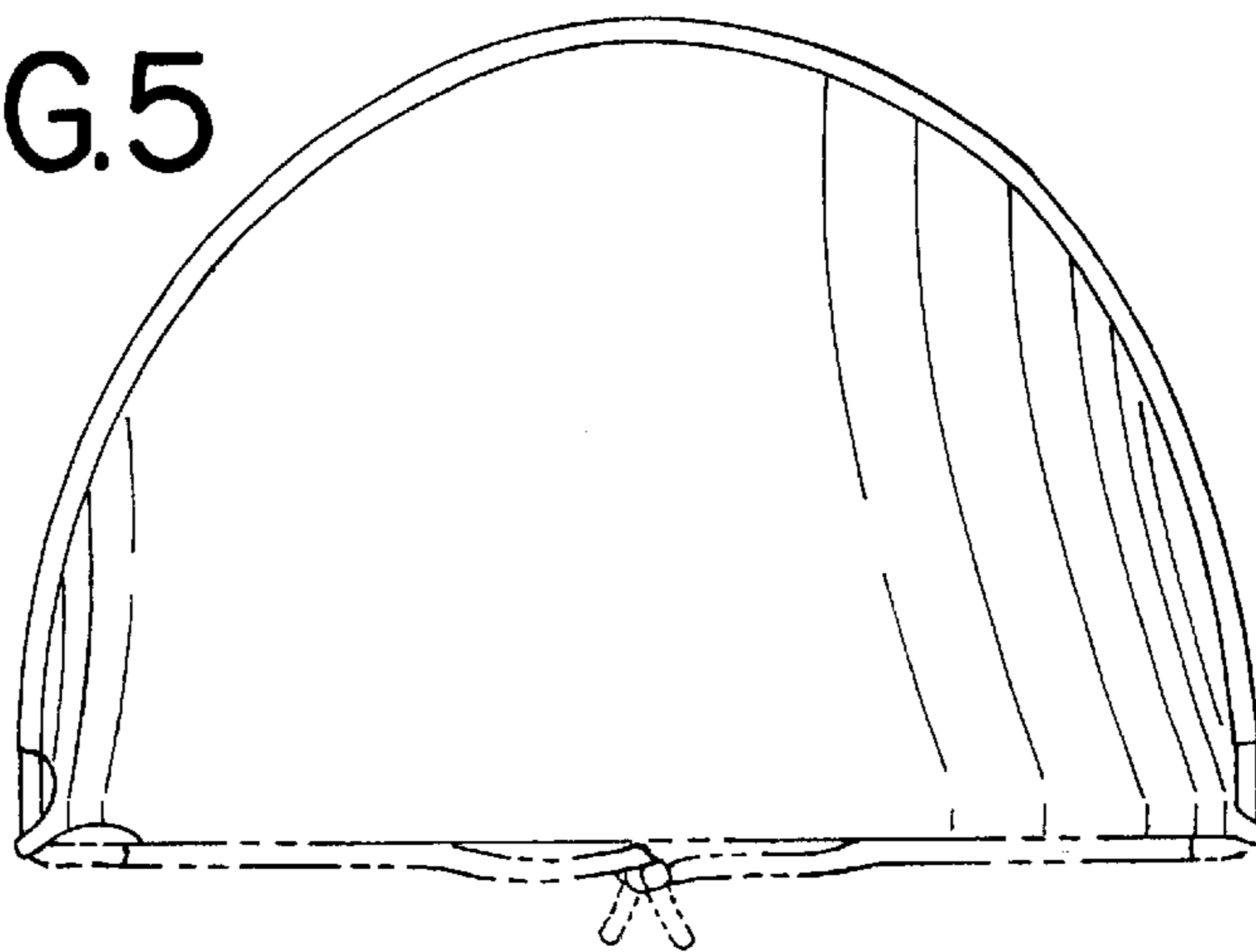


FIG.6

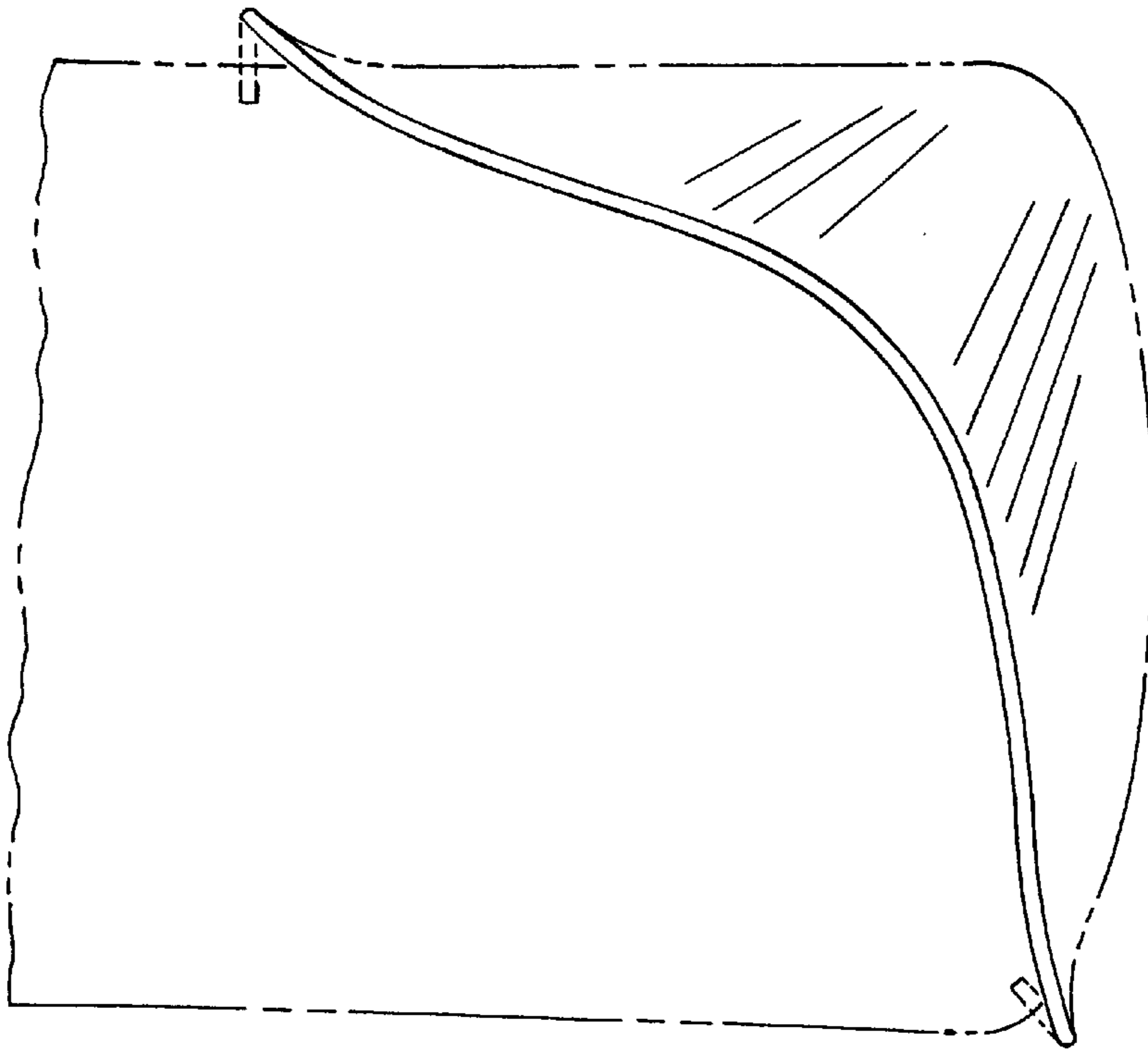


FIG.7

