



US00D457354S

(12) **United States Design Patent**
Reese et al.

(10) **Patent No.:** **US D457,354 S**
(45) **Date of Patent:** **** May 21, 2002**

(54) **LIGHTED DISPLAY CABINET FOR A REFRIGERATED COOLER**

(75) Inventors: **Robert J. Reese**, Spartanburg; **Harry A. Brancheau**, Inman; **Richard D. Kusel**, Spartanburg; **Michael A. Baker**, Duncan, all of SC (US); **Wendell Wilson**, Marietta, GA (US)

(73) Assignee: **Specialty Equipment Companies, Inc.**, Aurora, IL (US)

(**) Term: **14 Years**

(21) Appl. No.: **29/128,080**

(22) Filed: **Aug. 17, 2000**

(51) **LOC (7) Cl.** **06-04**

(52) **U.S. Cl.** **D6/470**

(58) **Field of Search** D6/470, 471, 492, D6/509; D15/79, 81; 312/116; 62/246-257

(56) **References Cited**

U.S. PATENT DOCUMENTS

222,604 A * 12/1879 Scott 312/116
1,647,785 A 11/1927 Coughlin

(List continued on next page.)

OTHER PUBLICATIONS

Beverage-Air Curve dated May 12, 1997.

Beverage-Air Stylized Curve dated May 12, 1997.

(List continued on next page.)

Primary Examiner—Dominic Simone

(57) **CLAIM**

The ornamental design for a lighted display cabinet for a refrigerated cooler, as shown and described.

DESCRIPTION

FIG. 1 is an elevated perspective front view of the lighted display cabinet for a refrigerated cooler with the shape of the border of the front window in the display cabinet, the pivot bolt near the bottom, rear side edge of the display cabinet and the locking pin near the top, rear side edge of the display

cabinet indicated in dashed line as environmental and showing the cooler as environmental structure in dashed lines;

FIG. 2 is a top plan view of the design of the embodiment of FIG. 1 with the pivot bolts near the bottom, rear side edge of the display cabinet indicated in dashed line as environmental;

FIG. 3 is a bottom plan view of the design of the embodiment of FIG. 1 with the pivot bolts near the bottom, rear side edges of the display cabinet indicated in dashed line as environmental;

FIG. 4 is a left side plan view of an embodiment as in FIG. 1 with the pivot bolt near the bottom, rear side edge of the display cabinet, and the locking pin near the top, rear side edge of the display cabinet indicated in dashed line as environmental;

FIG. 5 is a right side plan view of an embodiment as in FIG. 1 with the pivot bolt near the bottom, rear side edge of the display cabinet, and the locking pin near the top, rear side edge of the display cabinet indicated in dashed line as environmental;

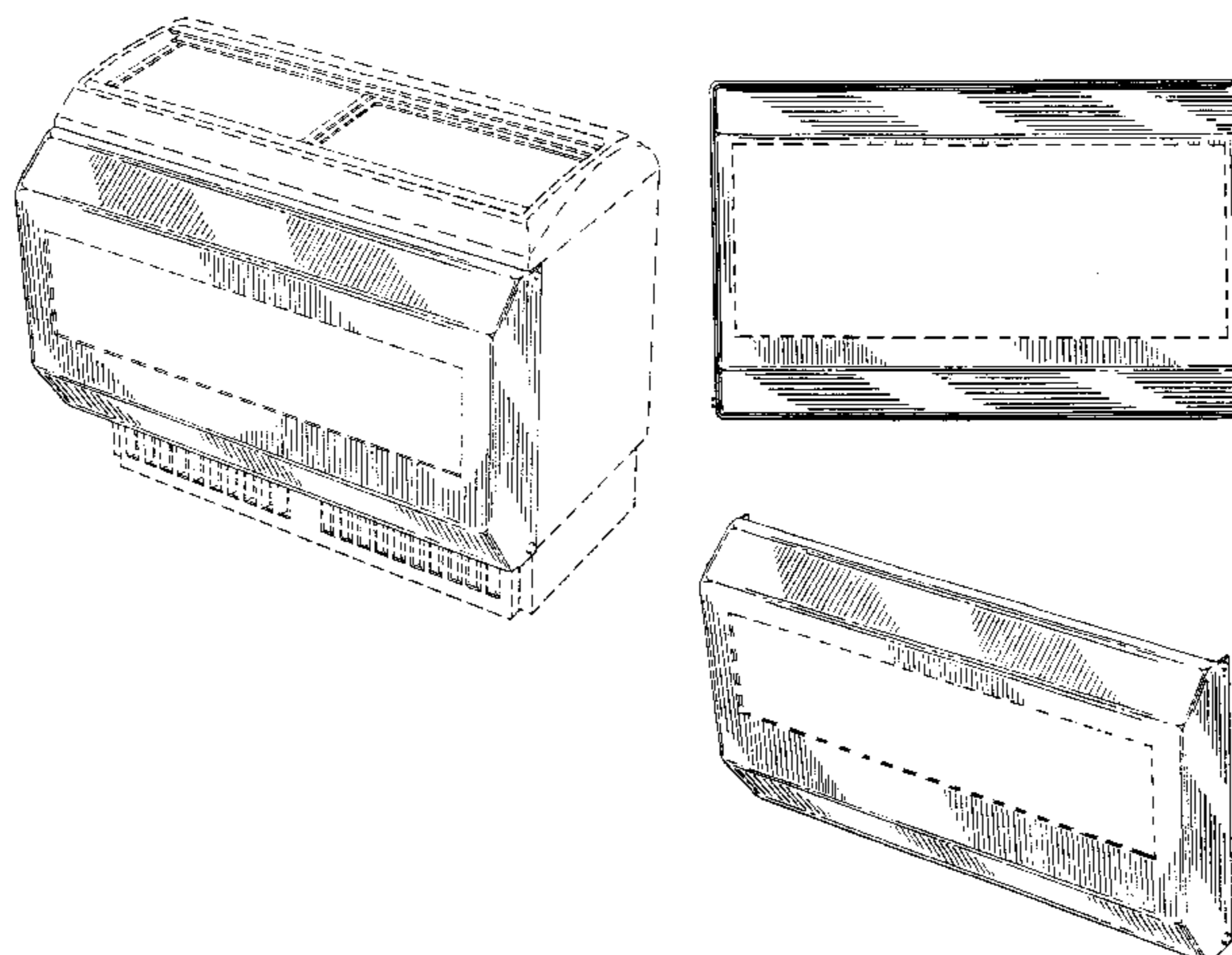
FIG. 6 is a rear plan view of an embodiment as in FIG. 1 with the pivot bolts near the bottom, rear side edges of the display cabinet indicated in dashed line as environmental;

FIG. 7 is a front plan view of an embodiment as in FIG. 1 with the shape of the border of the front window in the display cabinet indicated in dashed line as environmental and the pivot bolts near the bottom side edges of the display cabinet indicated in dashed line as environmental;

FIG. 8 is an top, front perspective view of a second embodiment of FIG. 1, the pivot bolt near the bottom, rear side edge of the display cabinet and the locking pin near the top, rear side edge of the display cabinet indicated in broken lines for environmental purposes only; and,

FIG. 9 is a front elevational view of FIG. 8, the pivot bolts near the bottom side edges of the display cabinet indicated in broken lines for environmental purposes only.

1 Claim, 5 Drawing Sheets



US D457,354 S

Page 2

U.S. PATENT DOCUMENTS

D102,284 S * 12/1936 McCoy D6/471
2,112,599 A 3/1938 Heitman
D111,868 S * 10/1938 Tyler D6/471
2,276,634 A 3/1942 Weber
2,397,403 A 3/1946 Bishop
D145,136 S * 7/1946 Hoffman D6/470
2,499,089 A 2/1950 Brill et al.
2,888,811 A * 6/1959 Hargrave 312/116
D189,843 S 3/1961 Rhoads
D194,426 S * 1/1963 Dreyfuss D6/470
3,097,899 A 7/1963 Dean et al.
3,287,073 A 11/1966 Holtkamp

3,532,404 A * 10/1970 Tavallali et al. 312/116
3,759,059 A 9/1973 Kenyon

OTHER PUBLICATIONS

Beverage–Air Flat dated May 12, 1997.
Cavalier Color Brochure for Sobe Modular Cooler.
Electrify MRI Color Brochure, 2 pages, at least as early as
Oct., 1998.
Beverage–Air Cold–Flo Gravity Shelf Organizer Brochure
(May 1990).
Beverage–Air Slide Door Marketeers Brochure for Models
MT 33, 38, 45, 66 (1986).

* cited by examiner

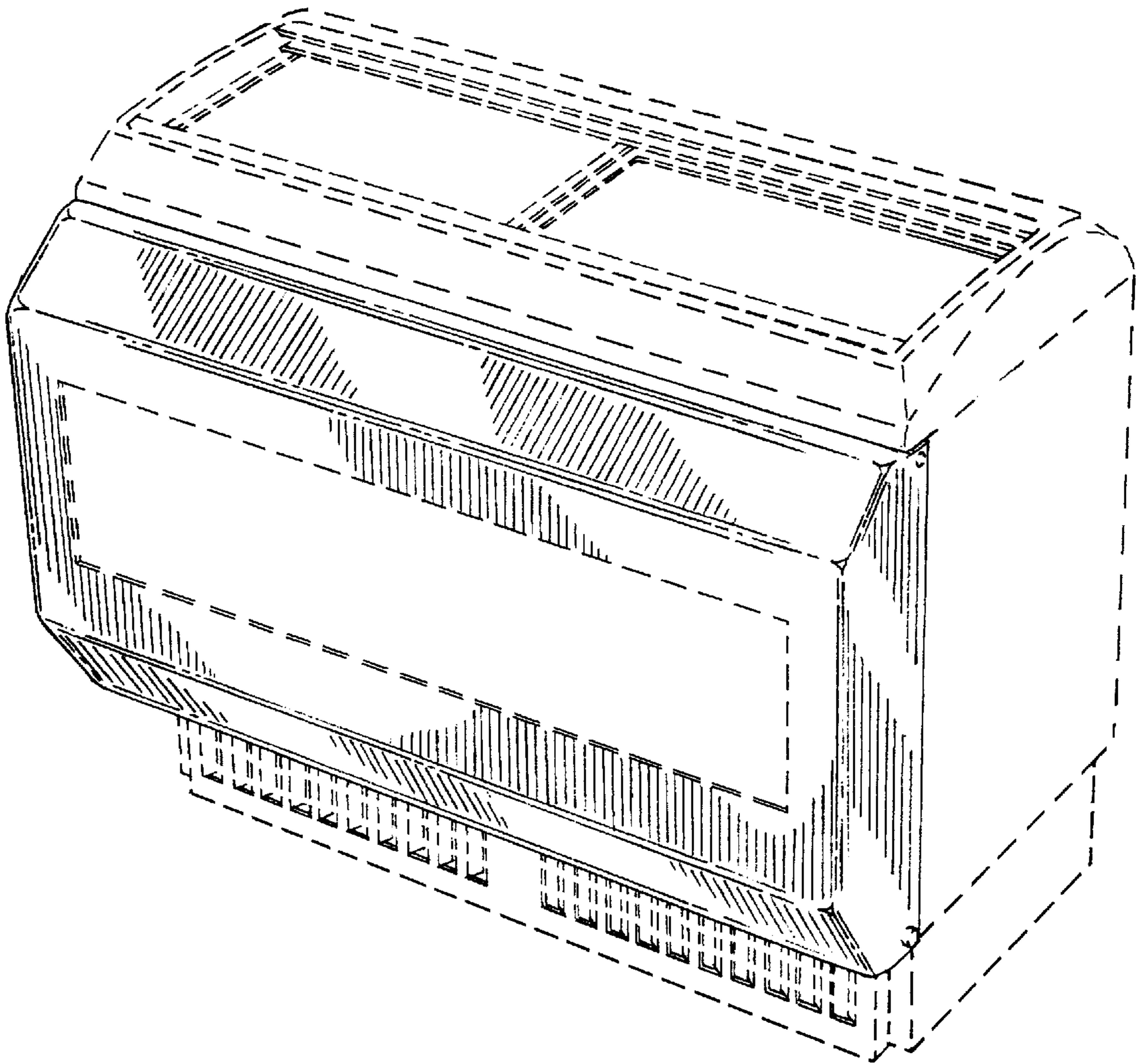


Fig. 1

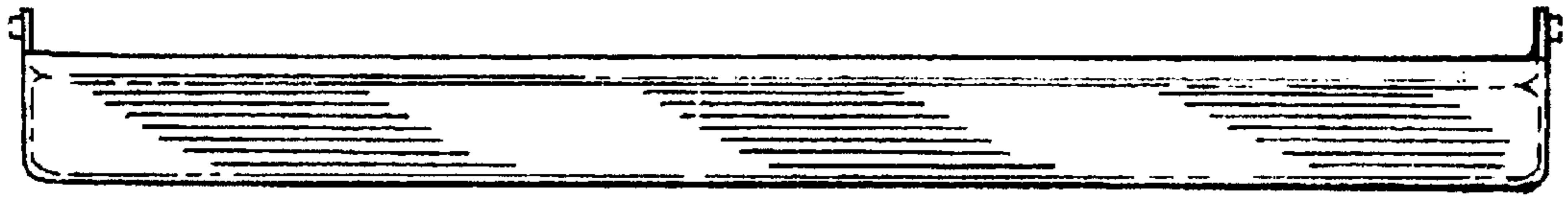


Fig. 2

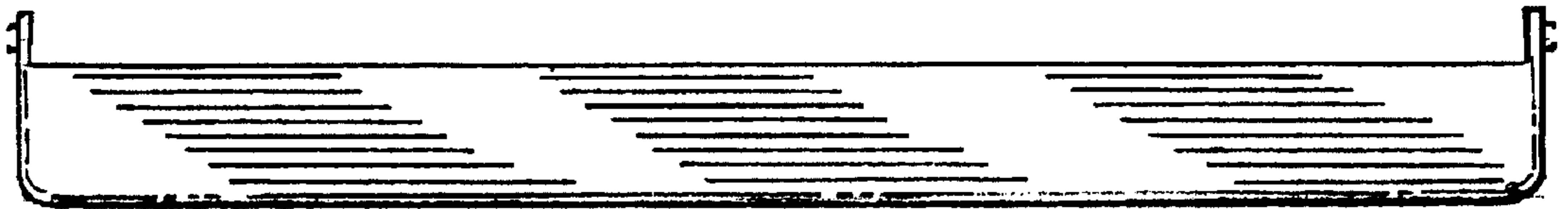


Fig. 3



Fig. 4



Fig. 5

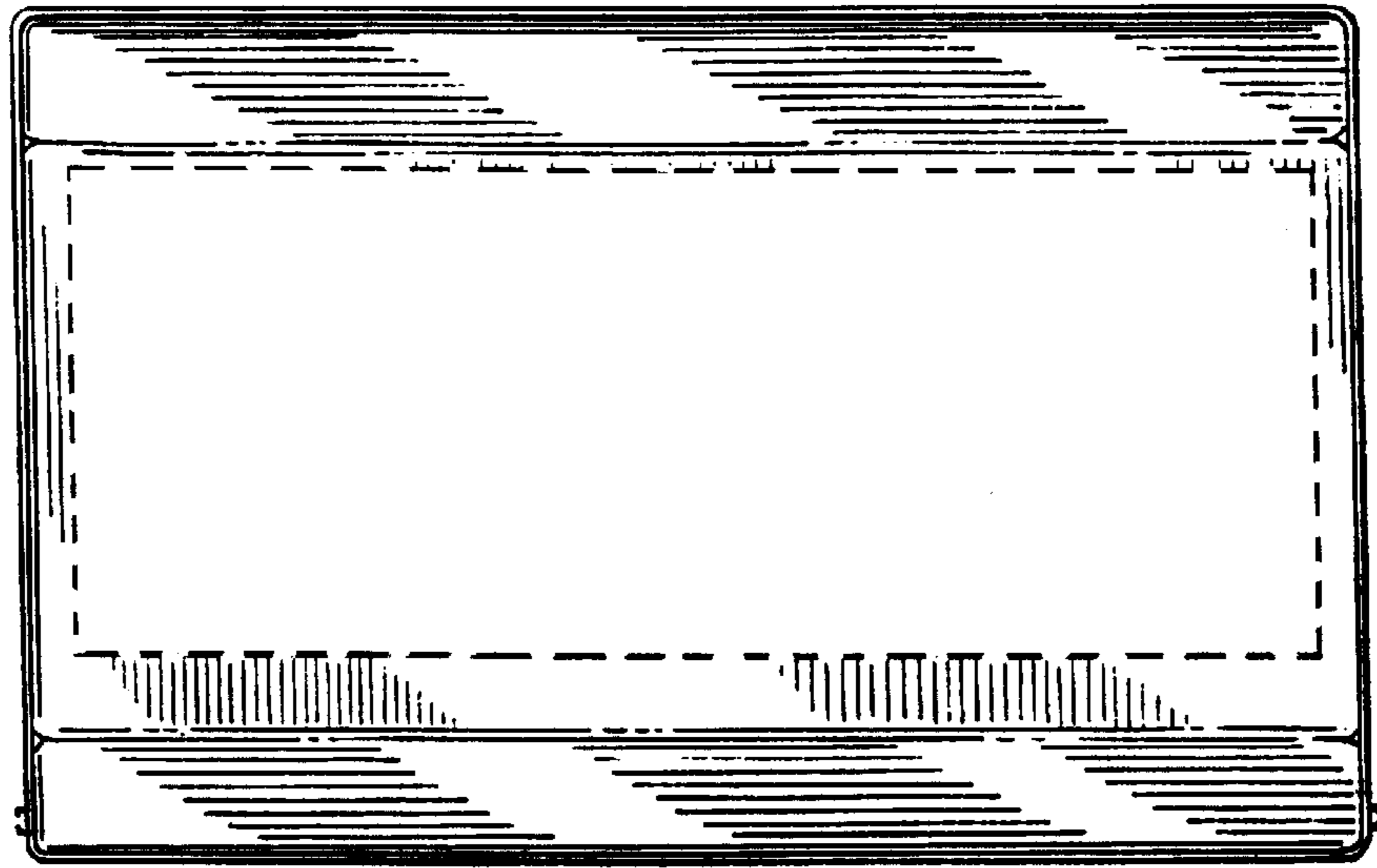


Fig. 6

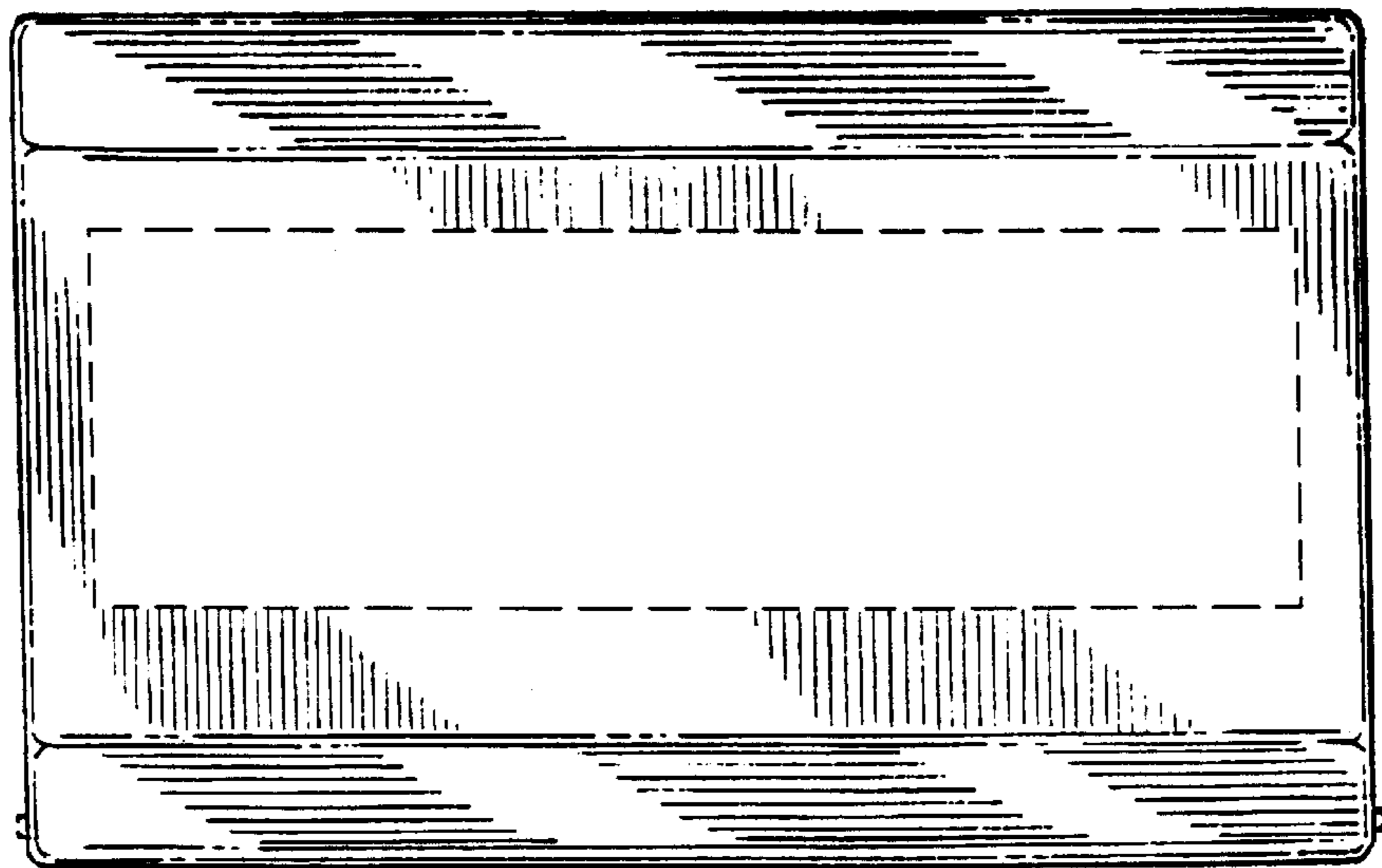


Fig. 7

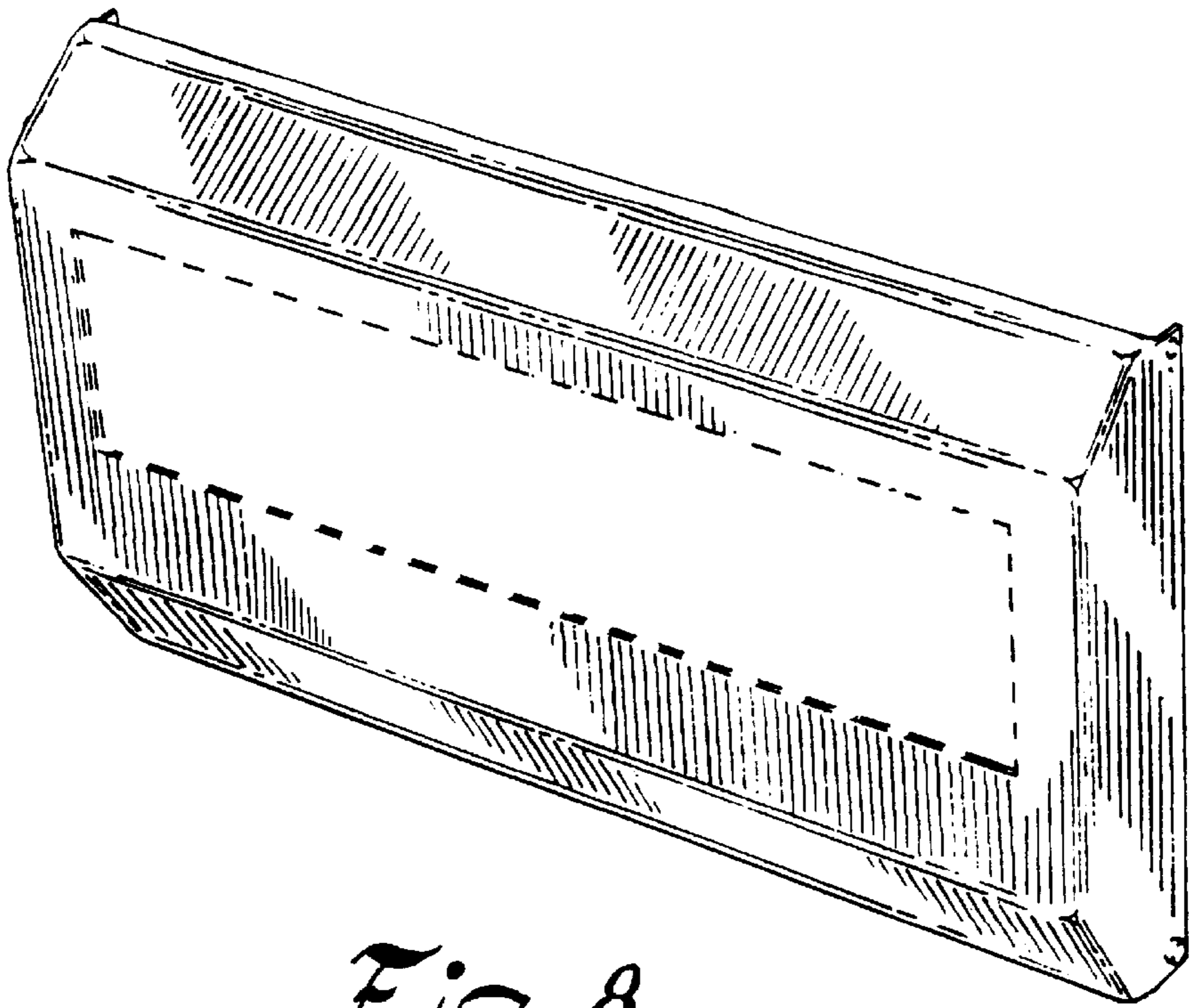


Fig. 8

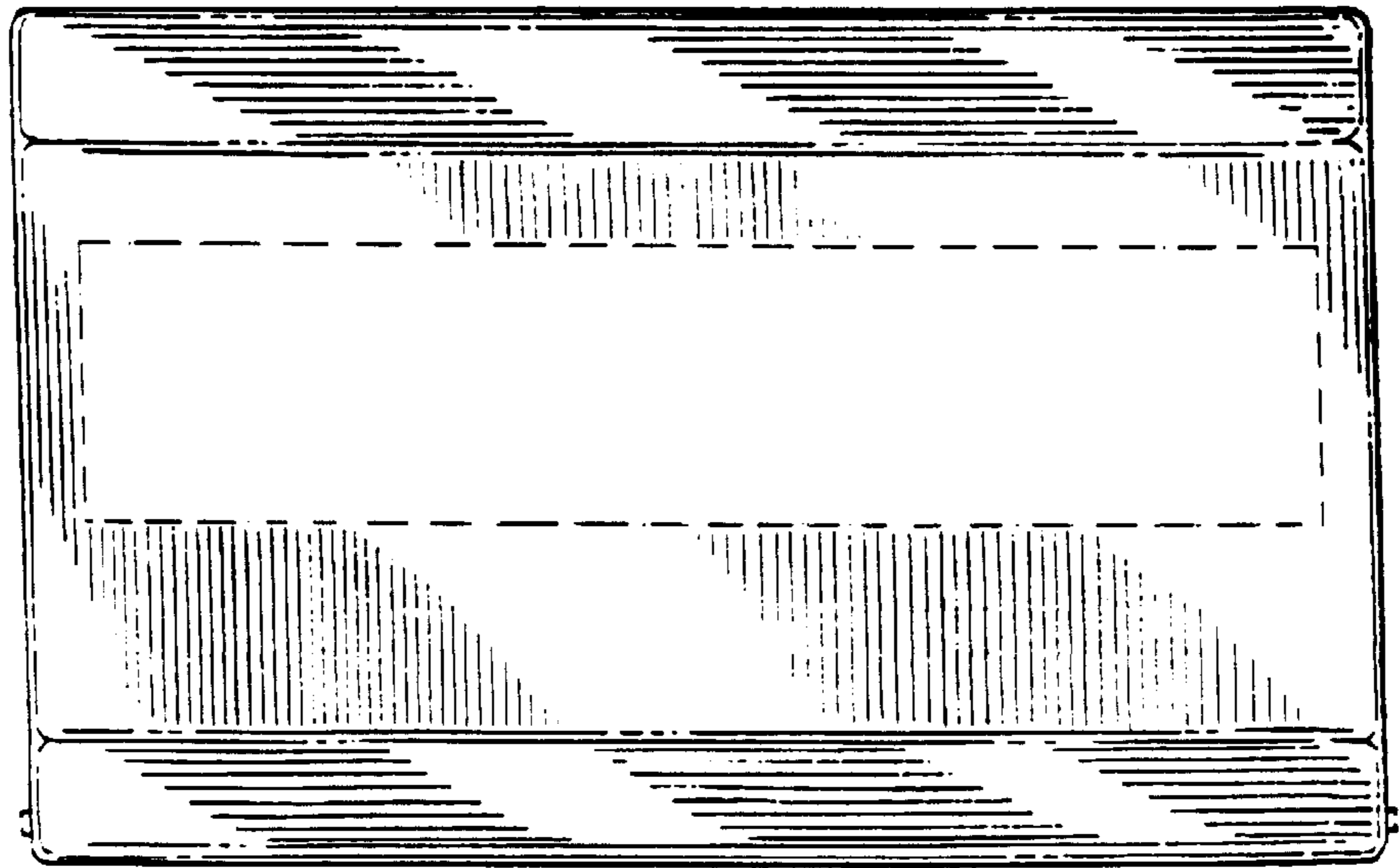


Fig. 9