

US00D457353S

(12) **United States Design Patent**  
**Klein et al.**

(10) **Patent No.:** **US D457,353 S**

(45) **Date of Patent:** **\*\* May 21, 2002**

(54) **SHOE RACK**

(75) Inventors: **Richard B. Klein**, Overland Park; **John W. Scott**, Lenexa; **Chris Serslev**, Leawood, all of KS (US)

(73) Assignee: **Lynk, Inc.**, Lenexa, KS (US)

(\*\*) Term: **14 Years**

4,463,853 A	8/1984	Licari et al.
D287,550 S	1/1987	Tocci
D303,445 S	* 9/1989	Ferguson et al. .... D6/462 X
4,915,238 A	* 4/1990	Cassel ..... 211/37
4,981,221 A	* 1/1991	Davis ..... 211/37
D318,196 S	* 7/1991	Sheng ..... D6/462
D324,142 S	* 2/1992	Cassel ..... D6/462
5,103,985 A	* 4/1992	Davis ..... 211/37
D341,500 S	11/1993	Klein et al.
D384,224 S	* 9/1997	Dickinson et al. .... D6/463

(21) Appl. No.: **29/145,245**

(22) Filed: **Jul. 18, 2001**

(51) **LOC (7) Cl.** ..... **06-04**

(52) **U.S. Cl.** ..... **D6/467; D6/462**

(58) **Field of Search** ..... D6/343, 397, 409-415, D6/458, 462-468, 477, 479, 475, 455, 456, 546; 108/50.11, 59, 91, 92, 93; 211/13.1, 37, 38, 85.3, 85.4, 30, 34, 42, 49.1, 90.03, 106, 119, 134, 186-189, 181.1, 200, 204-208; 248/441.1, 465.1, 175, 451, 124.1, 448

(56) **References Cited**

**U.S. PATENT DOCUMENTS**

1,769,344 A	7/1930	Hoffmire
1,927,997 A	9/1933	Weston
D165,942 S	2/1952	Stein
2,815,862 A	12/1957	Einhorn
3,913,745 A	10/1975	Weiss
3,918,670 A	11/1975	Doherty

\* cited by examiner

*Primary Examiner*—Cathron C. Brooks

(74) *Attorney, Agent, or Firm*—Shook, Hardy & Bacon LLP

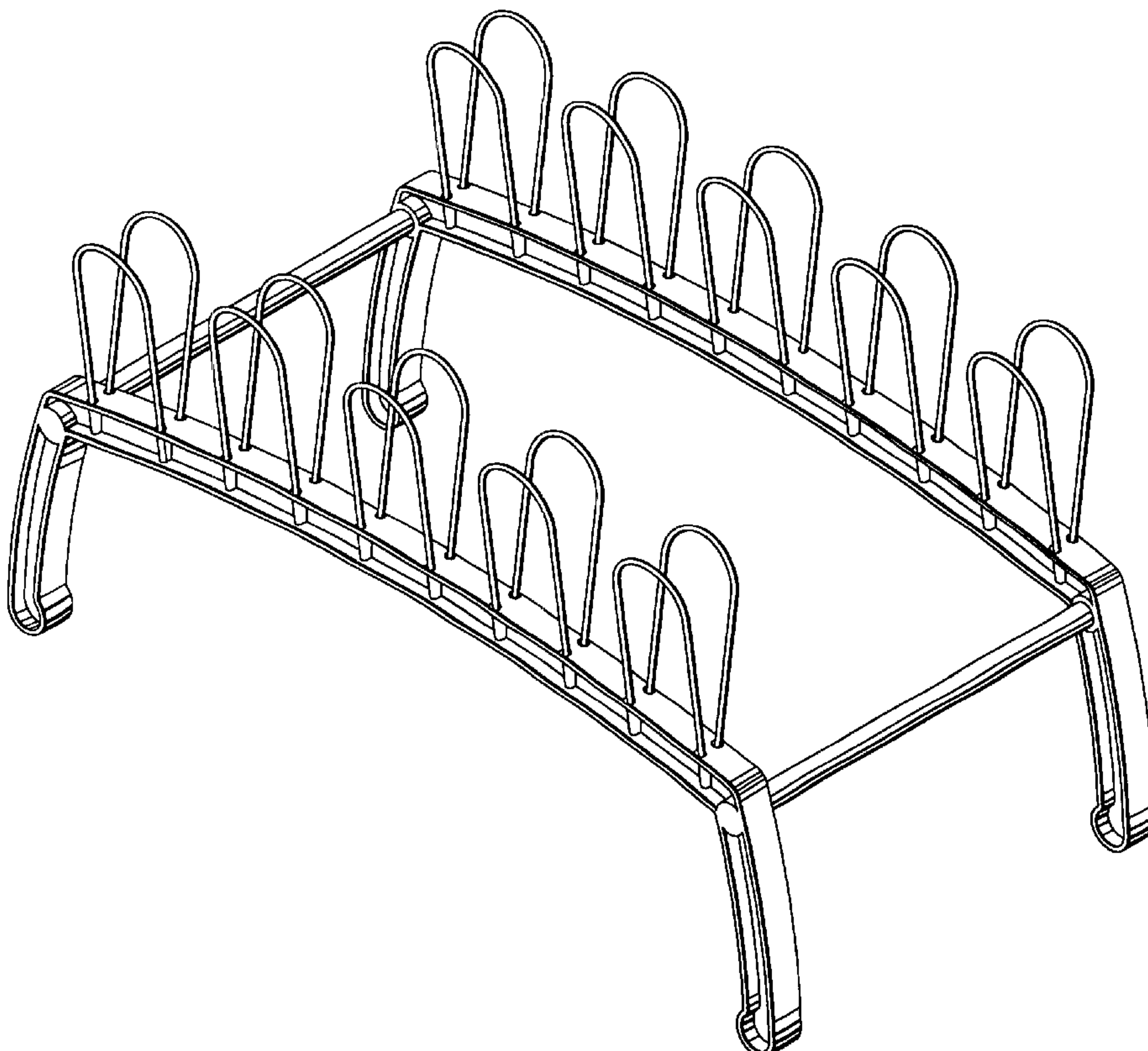
(57) **CLAIM**

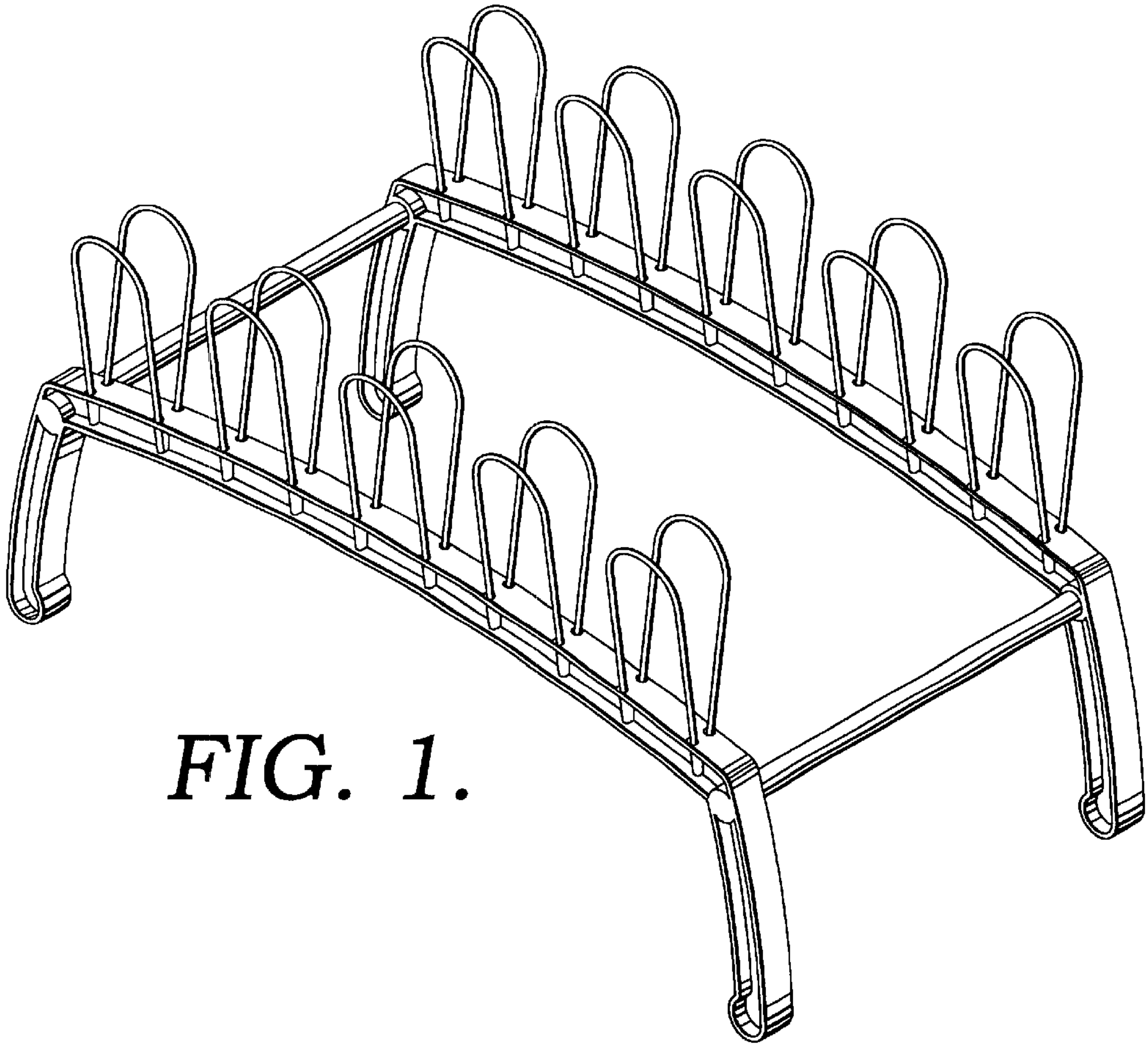
The ornamental design for a shoe rack, as shown and described.

**DESCRIPTION**

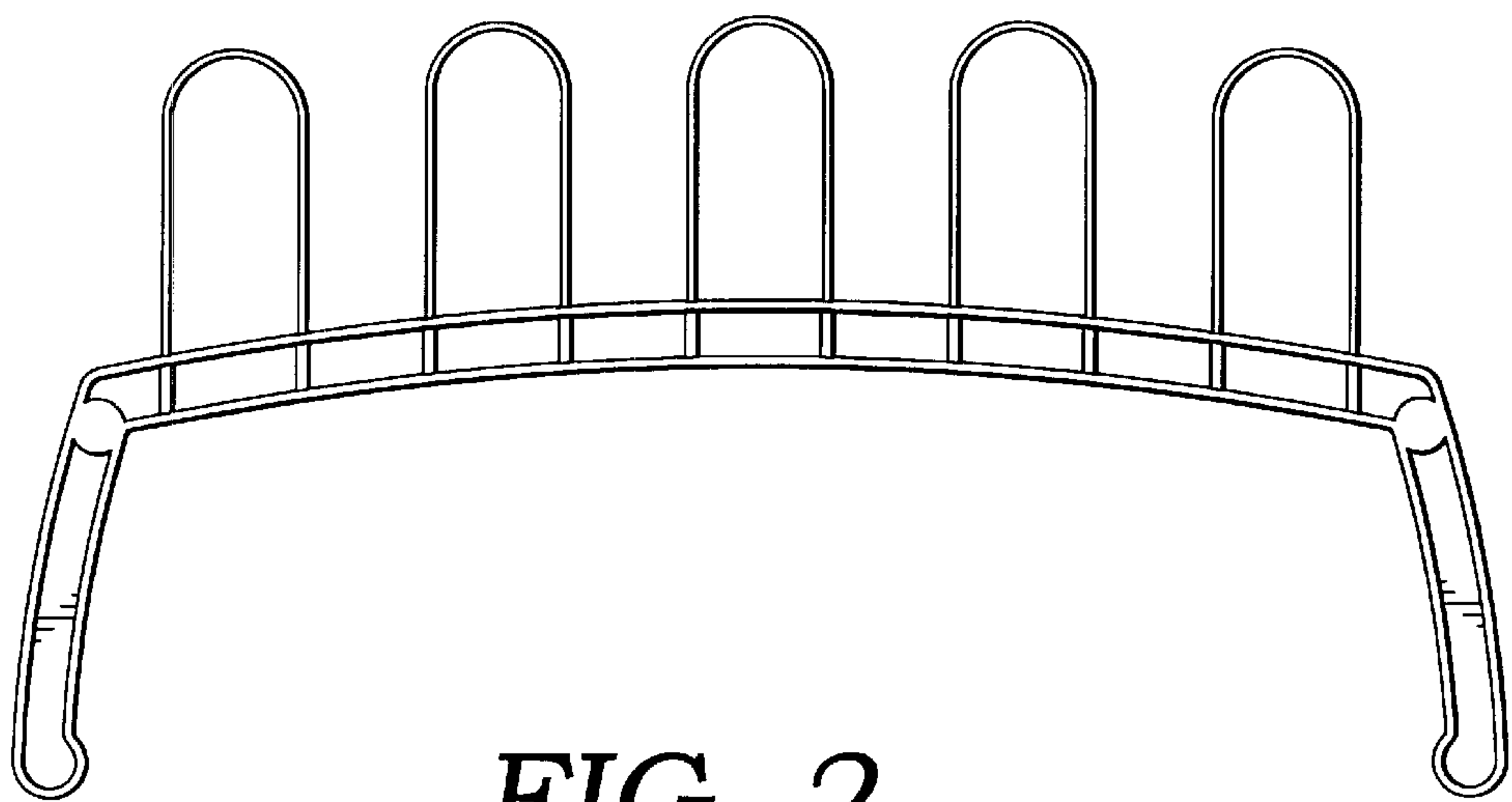
FIG. 1 is a perspective view of a shoe rack showing our new design;  
FIG. 2 is a side elevational view thereof, the opposite side having the same appearance;  
FIG. 3 is a bottom plan view thereof;  
FIG. 4 is a top plan view thereof; and,  
FIG. 5 is an end elevational view thereof taken from the right end of FIG. 1, the opposite end having the same appearance.

**1 Claim, 2 Drawing Sheets**



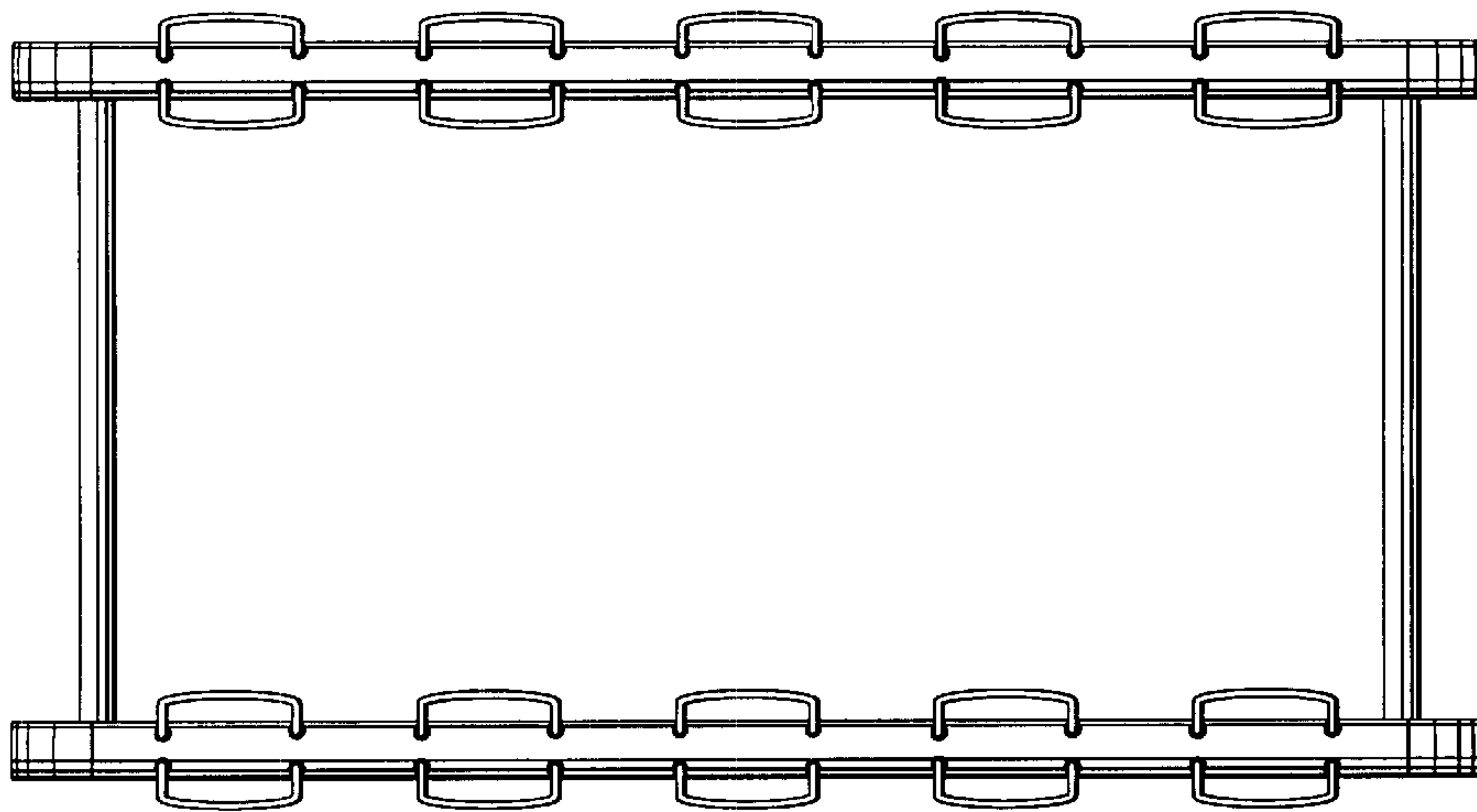
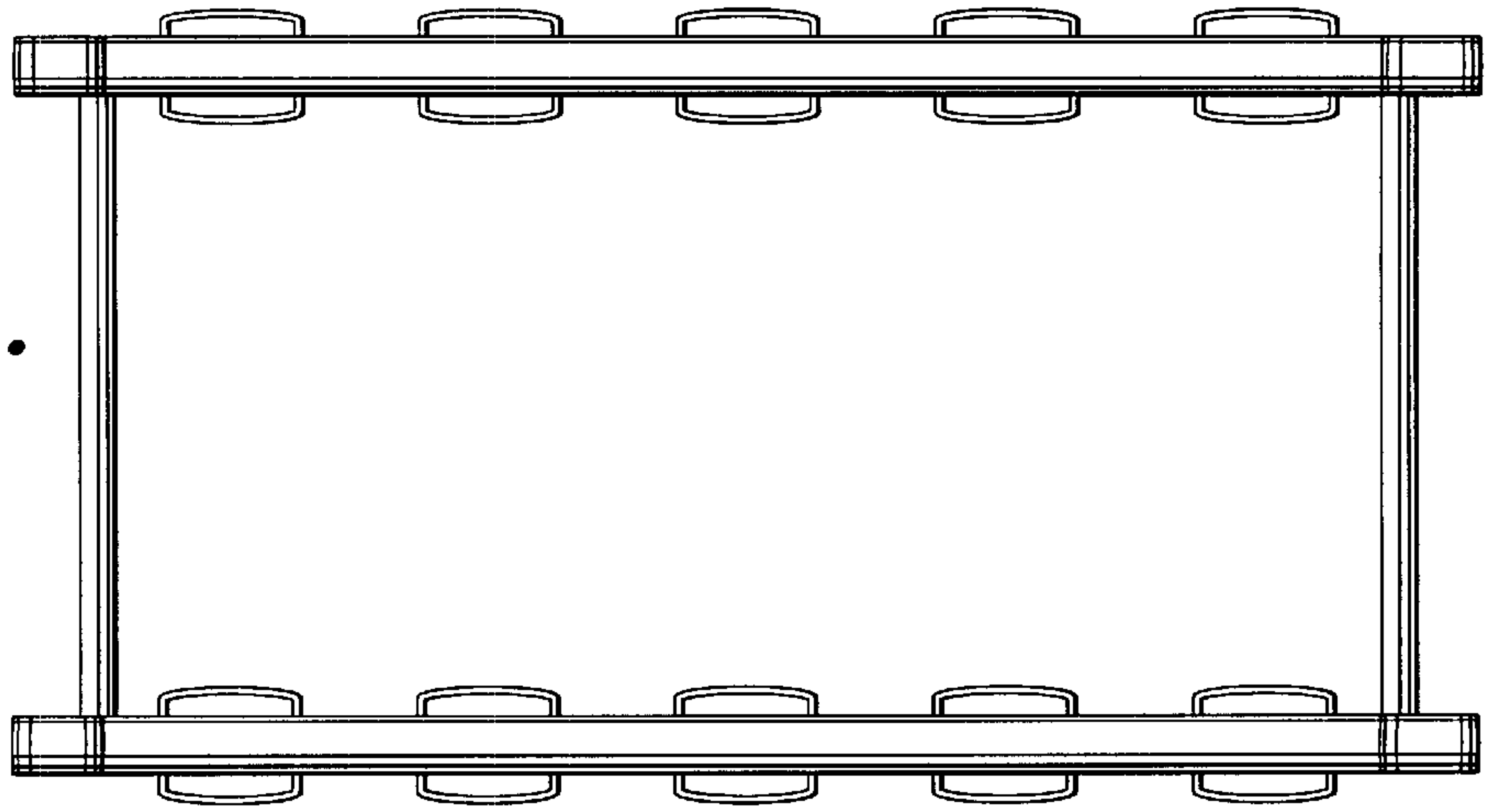


*FIG. 1.*



*FIG. 2.*

*FIG.*  
3.



*FIG.*  
4.

*FIG. 5.*

