



US00D457352S

(12) **United States Design Patent**
Hansen

(10) **Patent No.:** **US D457,352 S**

(45) **Date of Patent:** **** May 21, 2002**

(54) **COUNTERTOP DISPLAY CONTAINER FOR BEVERAGES**

(74) *Attorney, Agent, or Firm*—Baker Botts L.L.P.

(76) **Inventor:** **Gregory J. H. Hansen**, 4 E. 64th St.,
New York, NY (US) 10021

(57) **CLAIM**

The ornamental design for a countertop display container for beverages, as shown and described.

(**) **Term:** **14 Years**

DESCRIPTION

(21) **Appl. No.:** **29/137,062**

FIG. 1 is a perspective view of an embodiment of a countertop display container for beverages according to the new design, viewed from in front, above, to the left;

(22) **Filed:** **Feb. 12, 2001**

FIG. 2 is a top plan view of the embodiment;

(51) **LOC (7) Cl.** **06-04**

FIG. 3 is a side elevational view of the embodiment;

(52) **U.S. Cl.** **D6/466**

FIG. 4 is a front elevational view of the embodiment; and,

(58) **Field of Search** D6/432, 466-468,
D6/475, 476; 211/13.1, 85.4, 70.1, 71.01,
74, 85.26; 206/557, 558, 561, 562, 564

FIG. 5 is a side elevational view of the embodiment.

(56) **References Cited**

FIGS. 1 and 3 to 5 show in phantom lines a relatively large bottle that is received in a recess in the rear portion of the top wall of the container. The large bottle is a replica of the bottles or cans of the beverages being displayed and is part of the display container. It is depicted in phantom lines because it can vary in shape and surface decoration. FIGS. 3 to 5 show bottles in phantom lines in the container. The plates with undulating upper edges that extend up from each side wall of the container are transparent.

U.S. PATENT DOCUMENTS

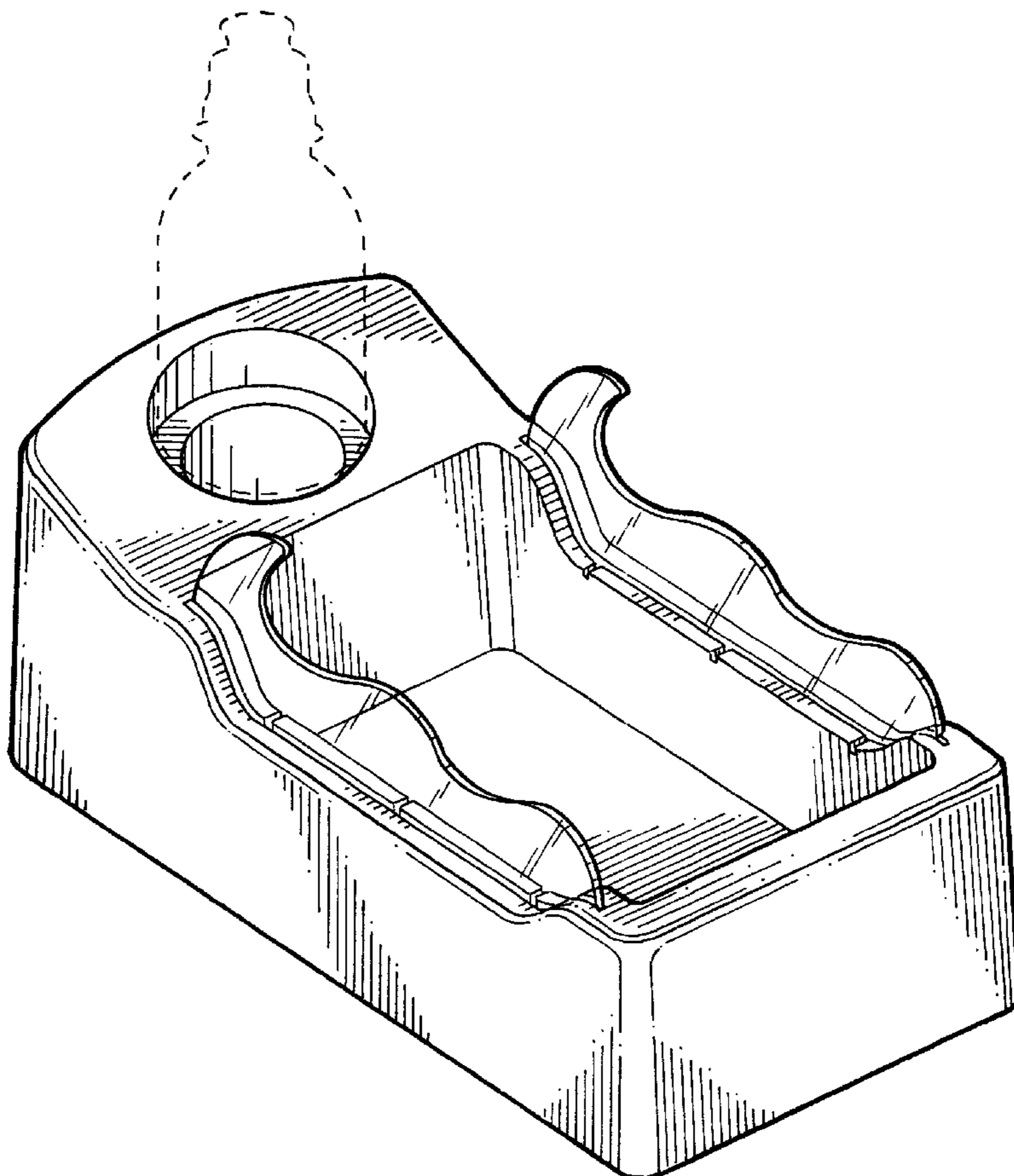
D140,242 S	*	2/1945	Wemyss	D6/466
D329,154 S	*	9/1992	Waterston	D7/476
5,464,150 A	*	11/1995	Porres et al.	206/561 X
6,012,585 A	*	1/2000	Parker	211/74
D429,093 S	*	8/2000	Miller	D6/468 X

The broken lines are for illustrative purposes only and form no part of the claimed design.

* cited by examiner

Primary Examiner—Terry A. Wallace

1 Claim, 3 Drawing Sheets



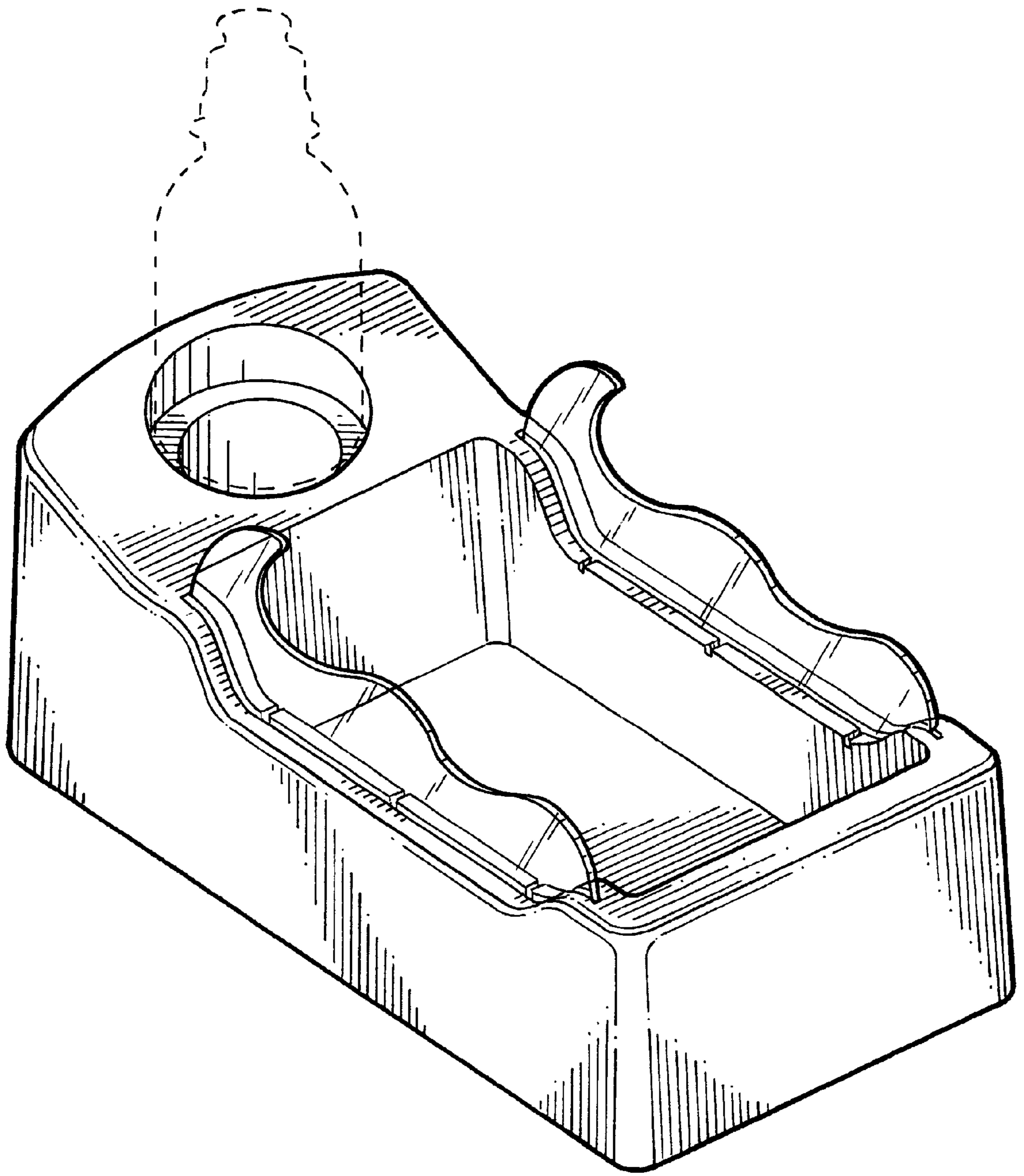


FIG. 1

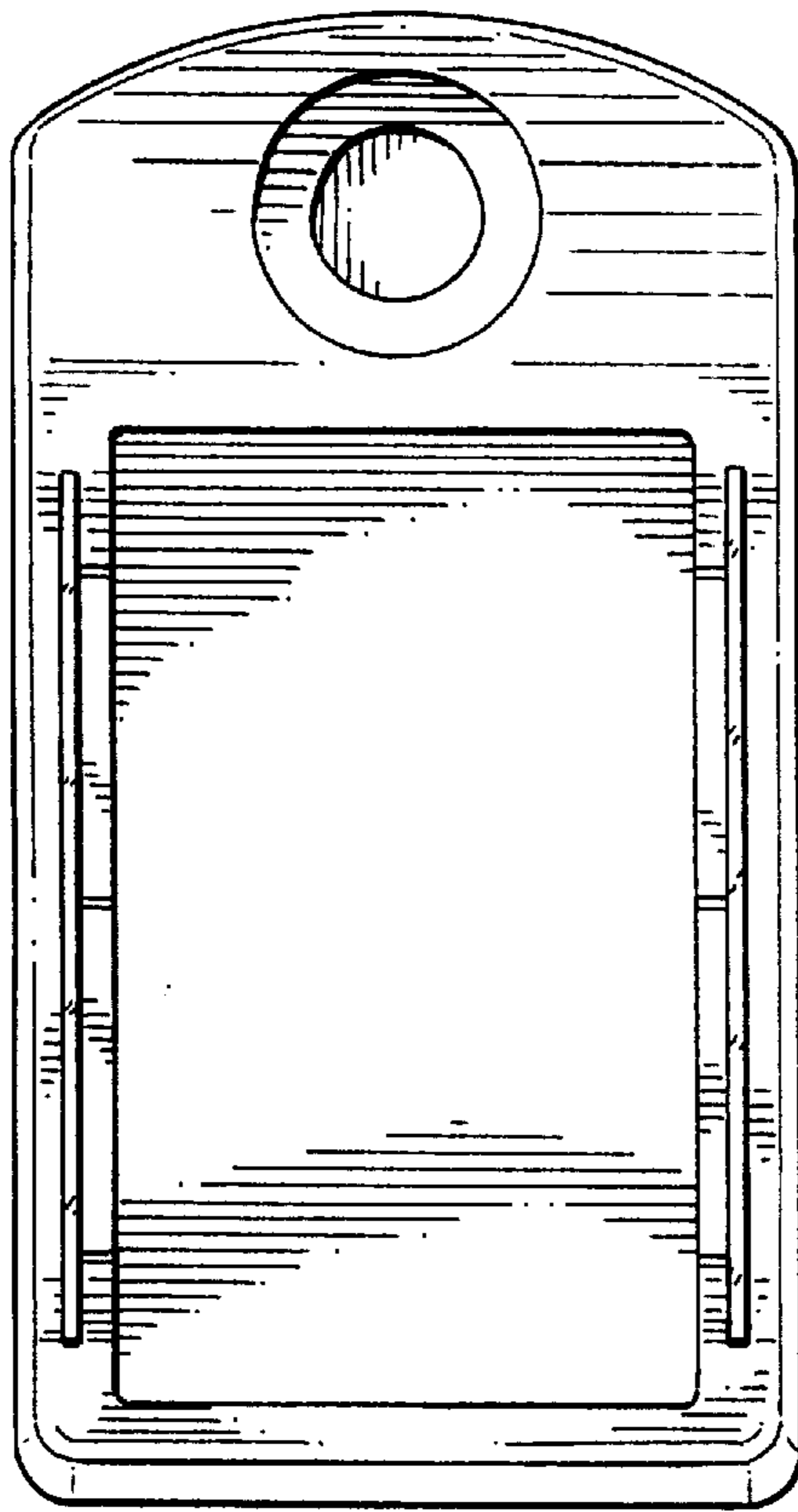


FIG. 2

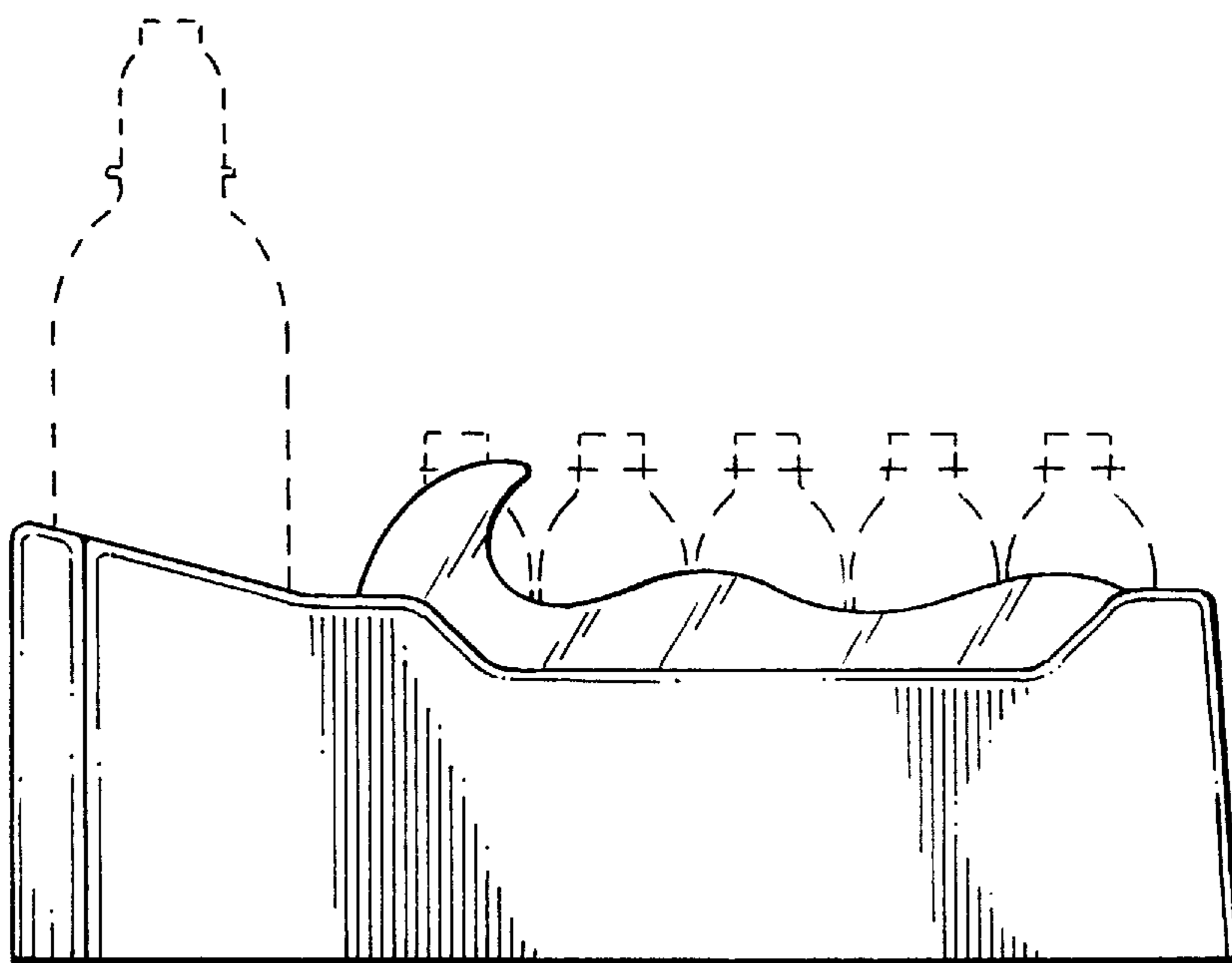


FIG. 3

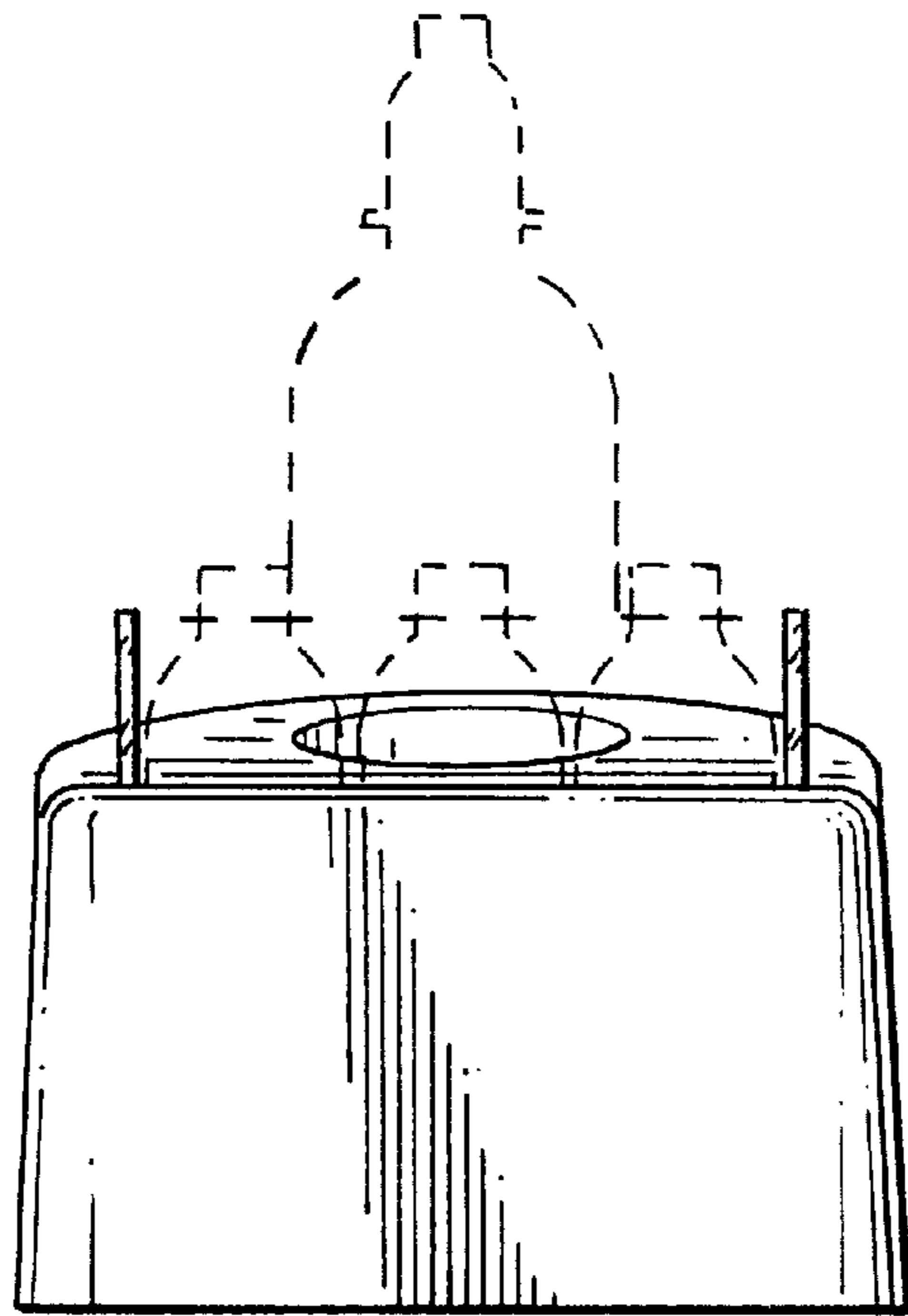


FIG. 4

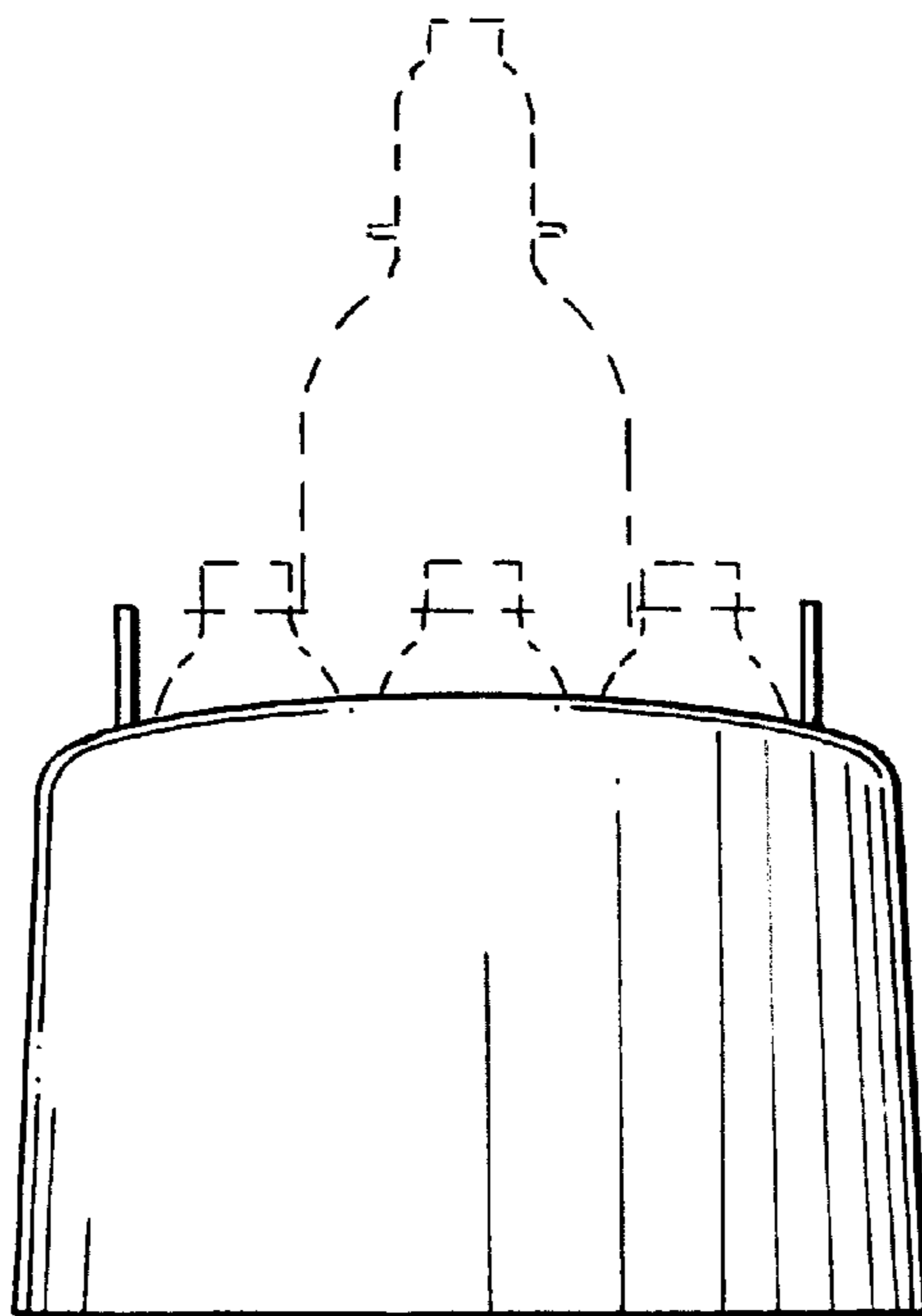


FIG. 5