



US00D457351S

(12) **United States Design Patent**  
**Zerman et al.**

(10) **Patent No.:** **US D457,351 S**  
(45) **Date of Patent:** **\*\* May 21, 2002**

- (54) **PORTABLE COMPUTER STAND**
- (75) Inventors: **Michael S Zerman**, Hackney; **Michael Youds**, 12-16 King William Street, Kent Town 5067, both of (AU)
- (73) Assignees: **Michael Zerman**; **Michael Youds**, both of South Australia (AU)
- (\*\*) Term: **14 Years**
- (21) Appl. No.: **29/121,372**
- (22) Filed: **Apr. 5, 2000**
- (51) **LOC (7) Cl.** ..... **06-06**
- (52) **U.S. Cl.** ..... **D6/462**; D6/310; D6/313
- (58) **Field of Search** ..... D6/329, 396, 419, D6/449, 462-469, 512, 552, 310, 313; D14/447; D19/75, 90, 91; 211/33, 13.1, 41.1, 41.7, 42, 181.1; 248/441.1, 463, 465, 465.1, 466, 469, 472, 473, 451, 127, 175, 176.1, 454, 455

D357,828 S \* 5/1995 Liao ..... D6/466  
5,915,661 A 6/1999 Silverman et al. .... 248/465.1

**FOREIGN PATENT DOCUMENTS**

AU 36912 8/1957

\* cited by examiner

*Primary Examiner*—Ted Shooman

*Assistant Examiner*—C. Tuttle

(74) *Attorney, Agent, or Firm*—Watts, Hoffmann, Fisher & Heinke Co. L.P.A.

(57) **CLAIM**

The ornamental design for a portable computer stand, as shown and described.

**DESCRIPTION**

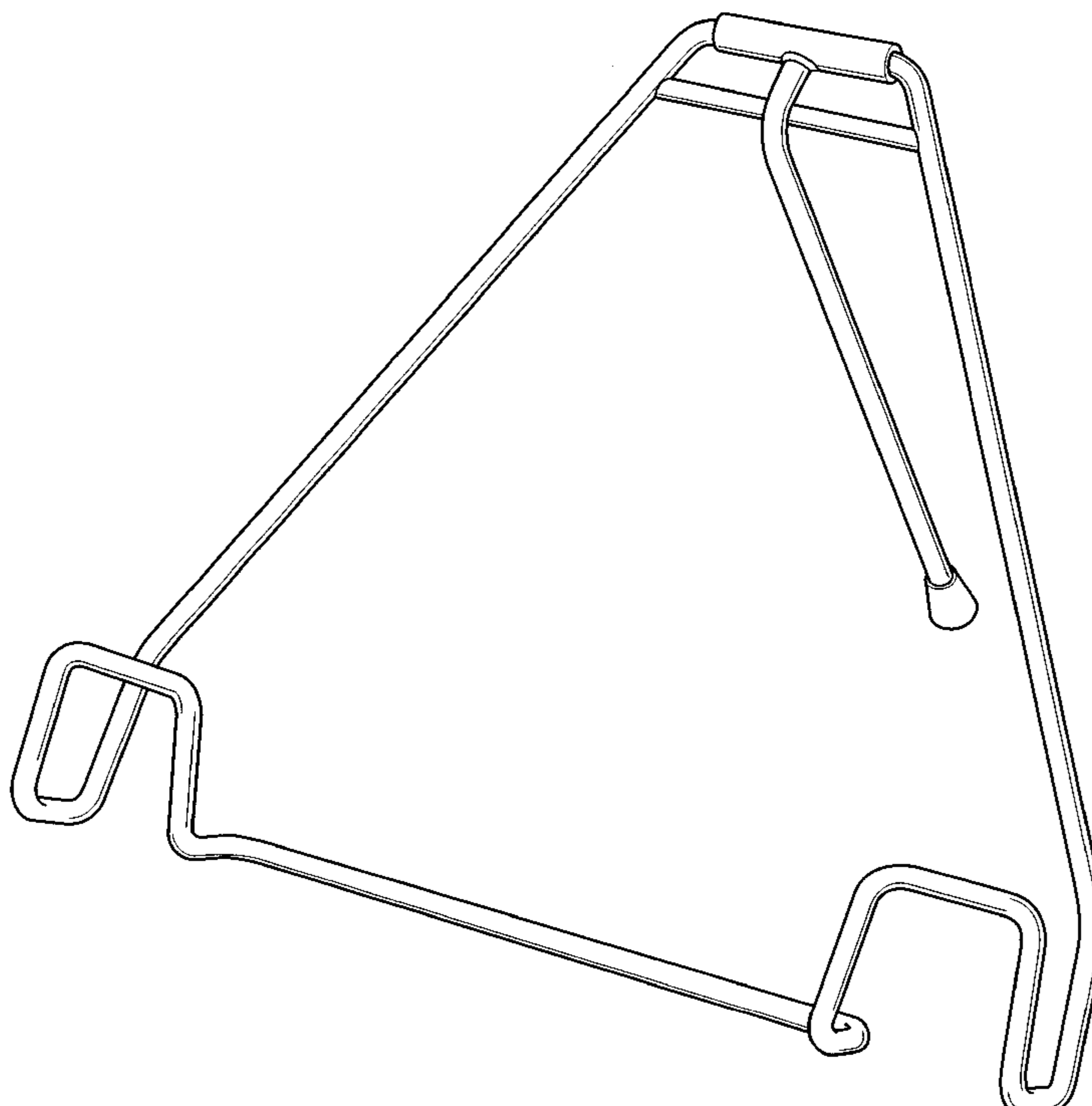
FIG. 1 is a front perspective view of our portable computer stand in the opened position,  
 FIG. 2 is a front perspective view of our portable computer stand in the folded position, this view being on a larger scale than FIGS. 1 and 3-7;  
 FIG. 3 is a bottom and rear perspective view of our portable computer stand in the folded position,  
 FIG. 4 is a left side perspective view of our portable computer stand in the opened position,  
 FIG. 5 is a front elevational view of our portable computer stand in the folded position;  
 FIG. 6 is a side elevational view of our portable computer stand in the folded position; and,  
 FIG. 7 is a side elevational view of our portable computer stand in the open position.

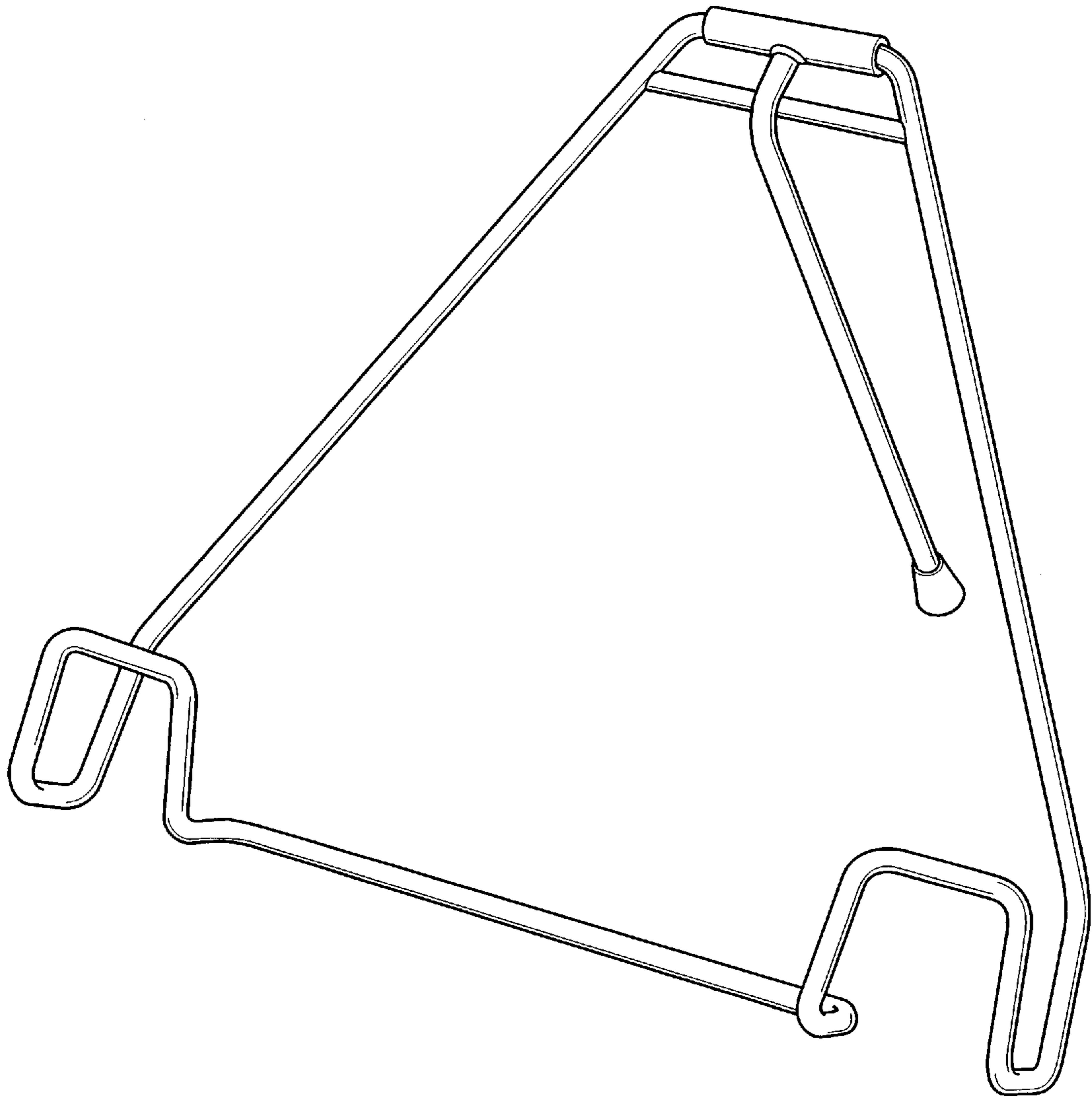
(56) **References Cited**

**U.S. PATENT DOCUMENTS**

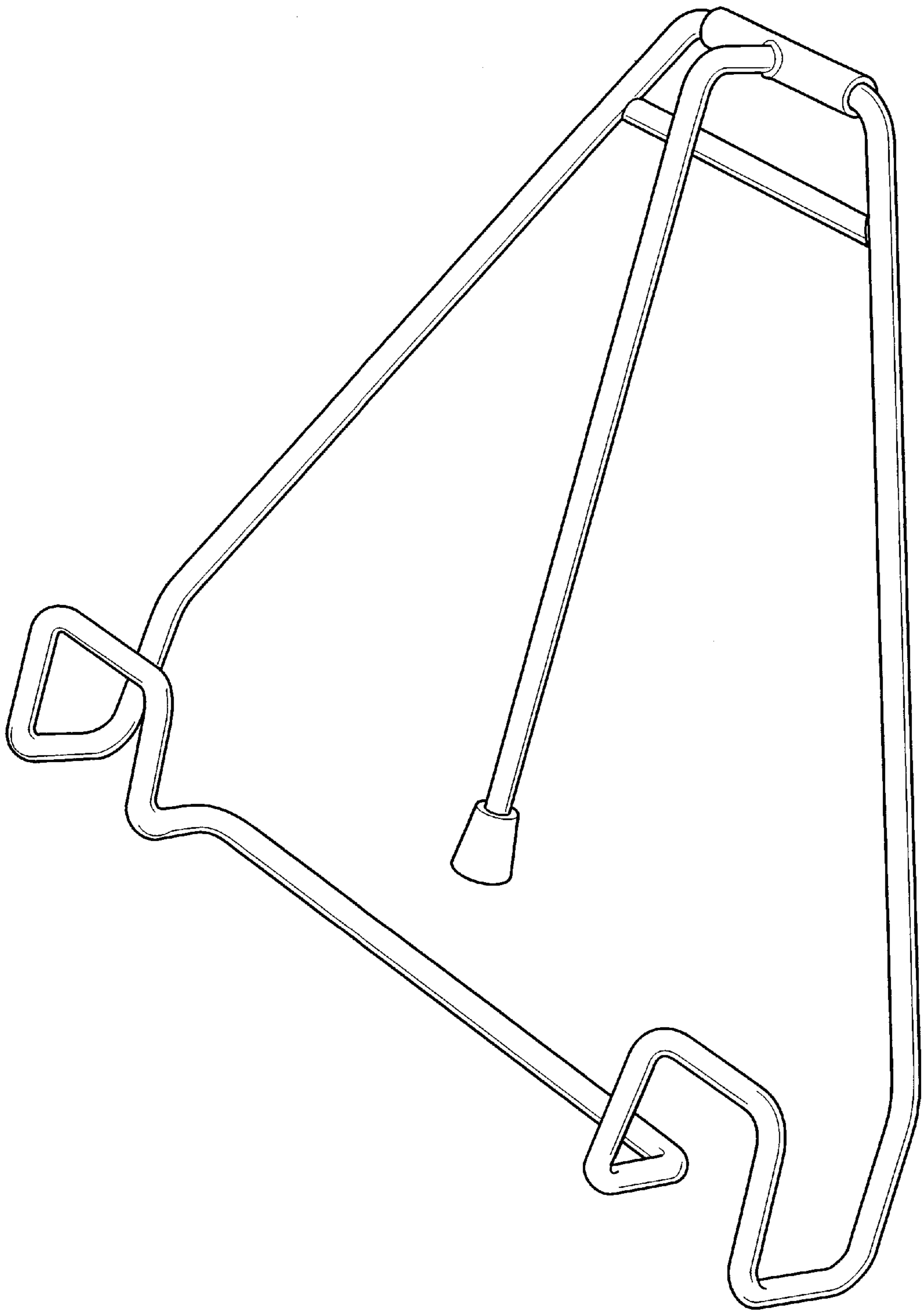
- D34,353 S \* 4/1901 Daniels ..... D19/90 X
- 813,227 A \* 2/1906 Miller ..... 248/451
- 863,114 A \* 8/1907 Stevens ..... 248/451
- 1,026,523 A \* 5/1912 Maxwell ..... 248/464
- 1,525,445 A \* 2/1925 Hamilton ..... 211/50
- 1,938,528 A \* 12/1933 Marseglia ..... 248/465.1 X
- 2,317,867 A \* 4/1943 Taylor et al. .... 248/465.1 X
- 2,441,655 A \* 5/1948 Anderson ..... 248/463
- 2,899,204 A \* 8/1959 Ratay ..... 248/466 X

**1 Claim, 6 Drawing Sheets**

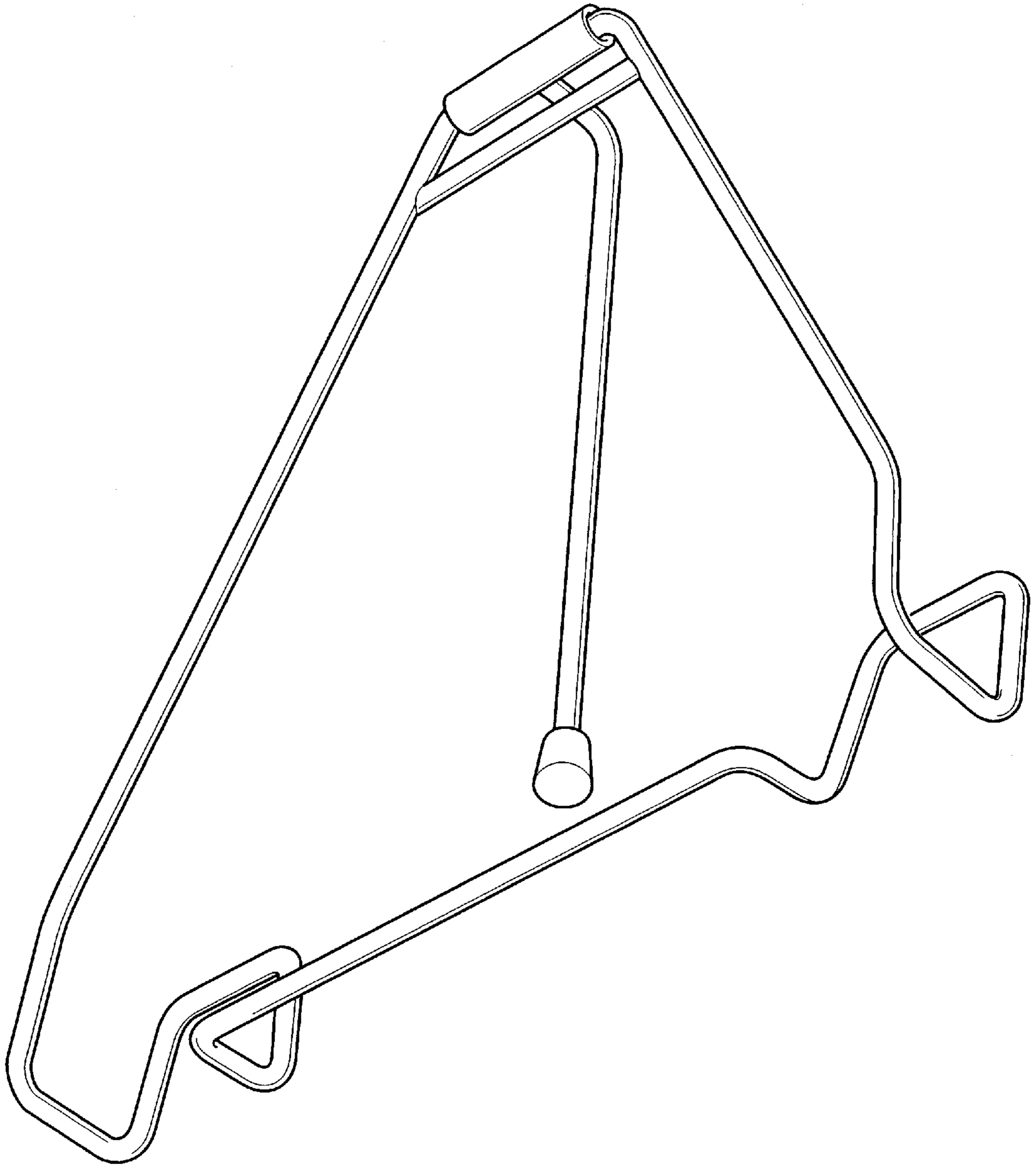




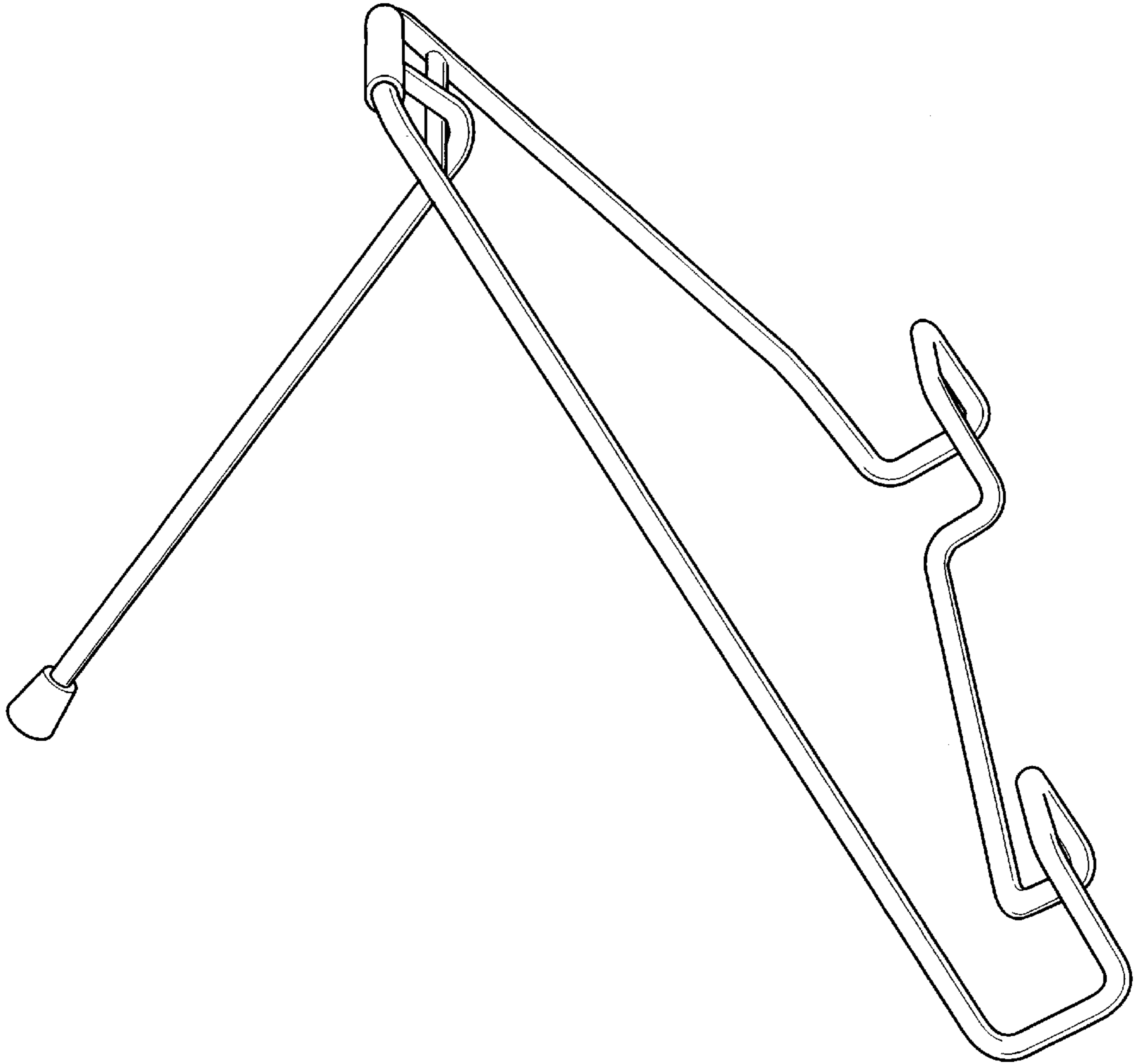
**Fig 1**



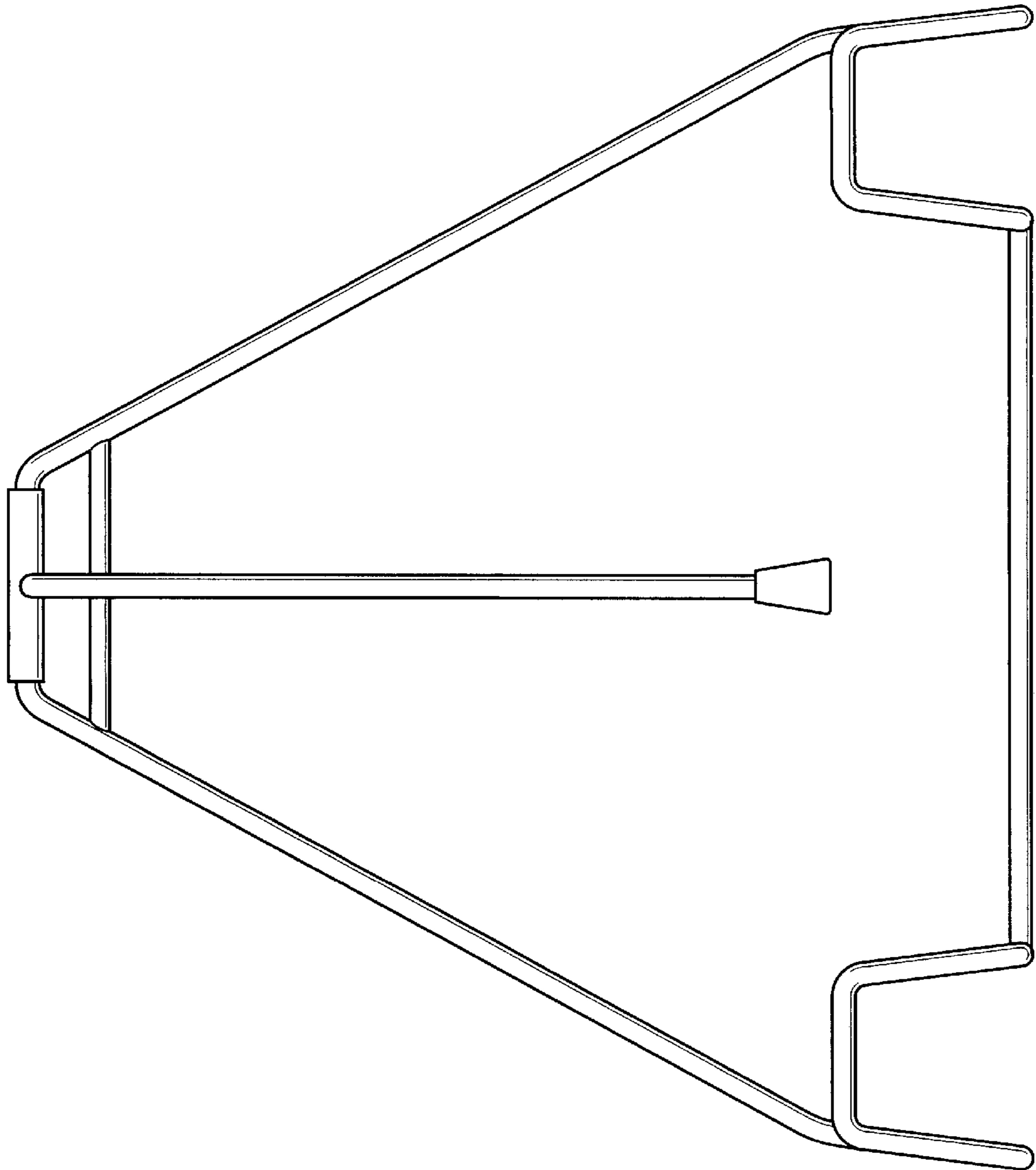
**Fig 2**



**Fig 3**

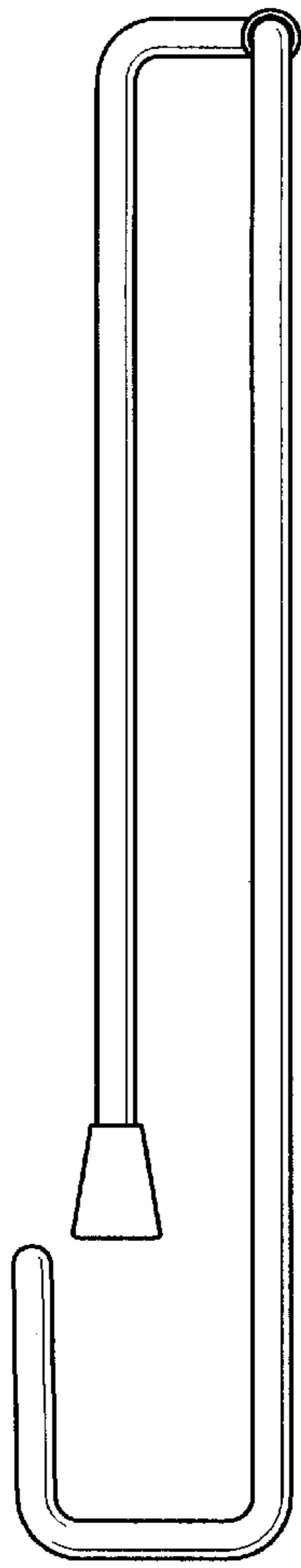


**Fig 4**

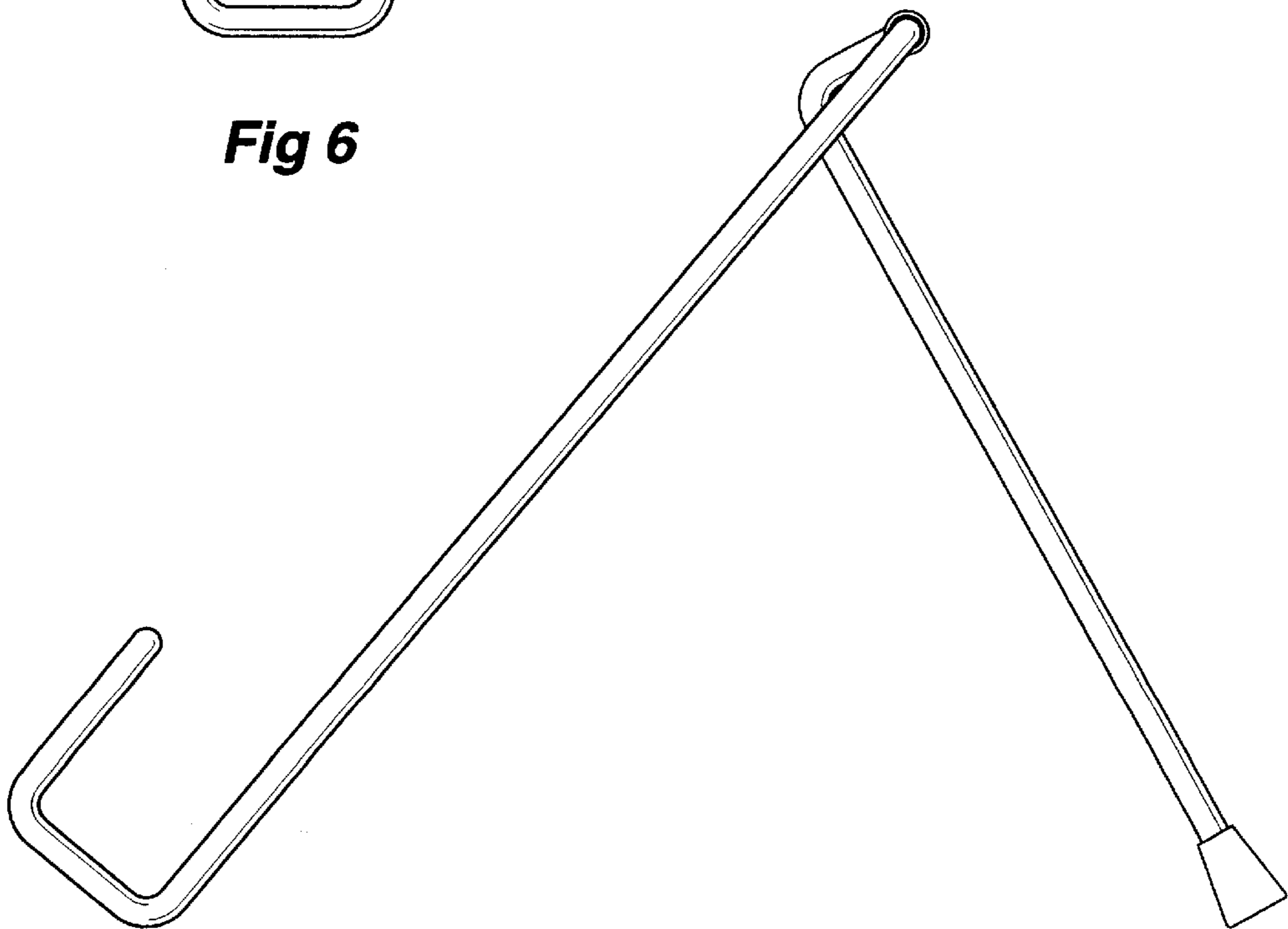


**Fig 5**





**Fig 6**



**Fig 7**