



US00D457347S

(12) **United States Design Patent**  
**Luong**

(10) **Patent No.:** **US D457,347 S**

(45) **Date of Patent:** **\*\* May 21, 2002**

(54) **COMPUTER DESK**

D290,318 S \* 6/1987 Berry, Jr. .... D6/486

(75) Inventor: **Phuoc H. Luong**, Fountain Valley, CA  
(US)

\* cited by examiner

(73) Assignee: **Elite Manufacturing Corporation**,  
Santa Fe Springs, CA (US)

*Primary Examiner*—Janice E. Seeger  
(74) *Attorney, Agent, or Firm*—George W. Finch

(\*\*) Term: **14 Years**

(57) **CLAIM**

The ornamental design for an computer desk, as shown.

(21) Appl. No.: **29/146,296**

**DESCRIPTION**

(22) Filed: **Aug. 6, 2001**

FIG. 1 is a perspective view showing the front side, left side,  
and top of the ornamental design and the ornamental effect  
of its transparent shelves;

(51) **LOC (7) Cl.** ..... **06-03**

(52) **U.S. Cl.** ..... **D6/426; D6/486**

FIG. 2 is a underside view of the same;

(58) **Field of Search** ..... D6/480, 486, 423-428,  
D6/465, 474, 477, 479; 312/194-196, 208.1;  
108/150, 50.01, 50.02, 91, 92, 95, 97

FIG. 3 is a top plan view of the same;

FIG. 4 is a right side elevational view of the same;

FIG. 5 is a front elevational view of the same;

FIG. 6 is a back view of the same; and,

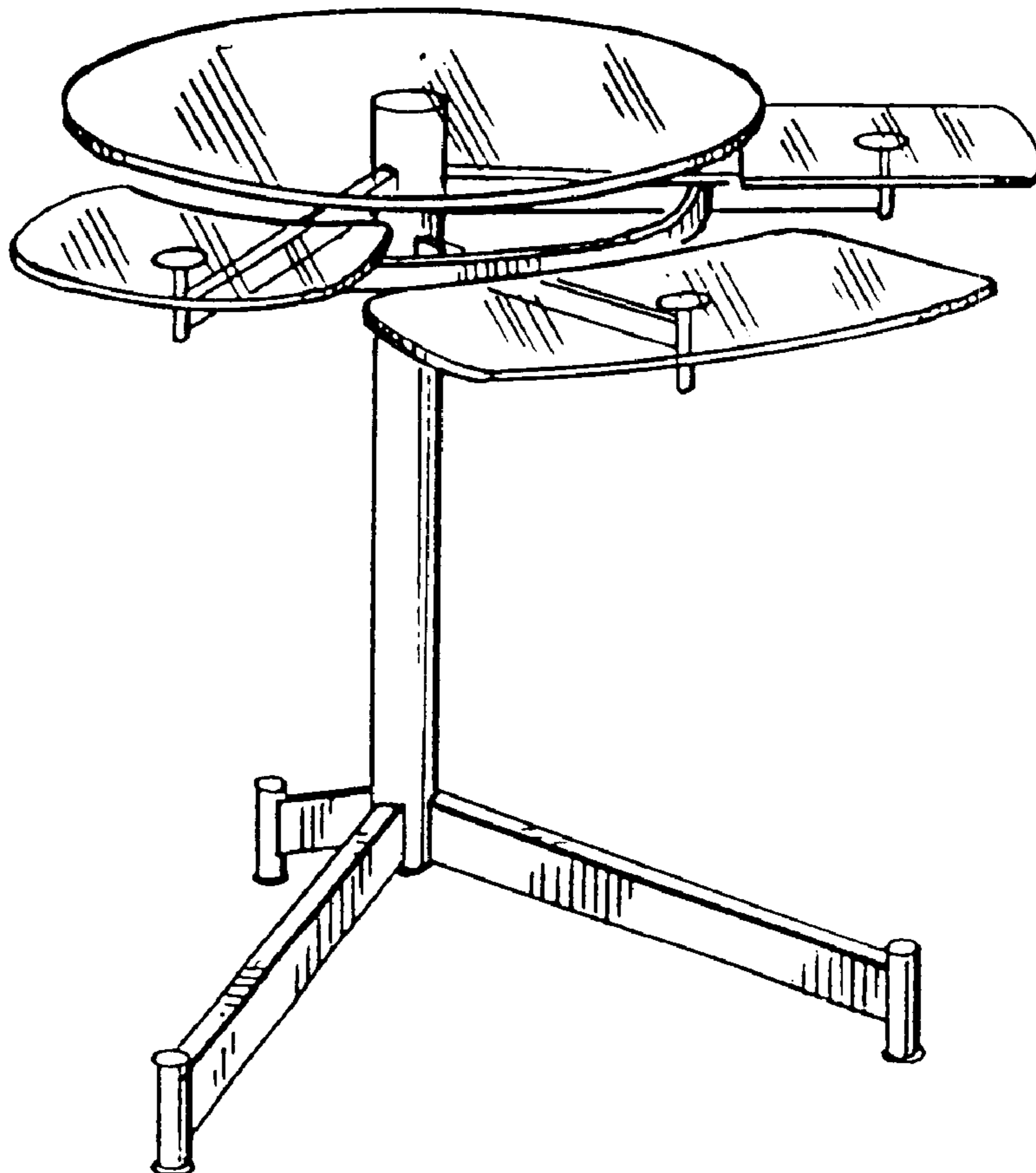
FIG. 7. is a left side elevational view of the same.

(56) **References Cited**

**U.S. PATENT DOCUMENTS**

3,862,735 A \* 1/1975 Cohen ..... 248/405

**1 Claim, 2 Drawing Sheets**



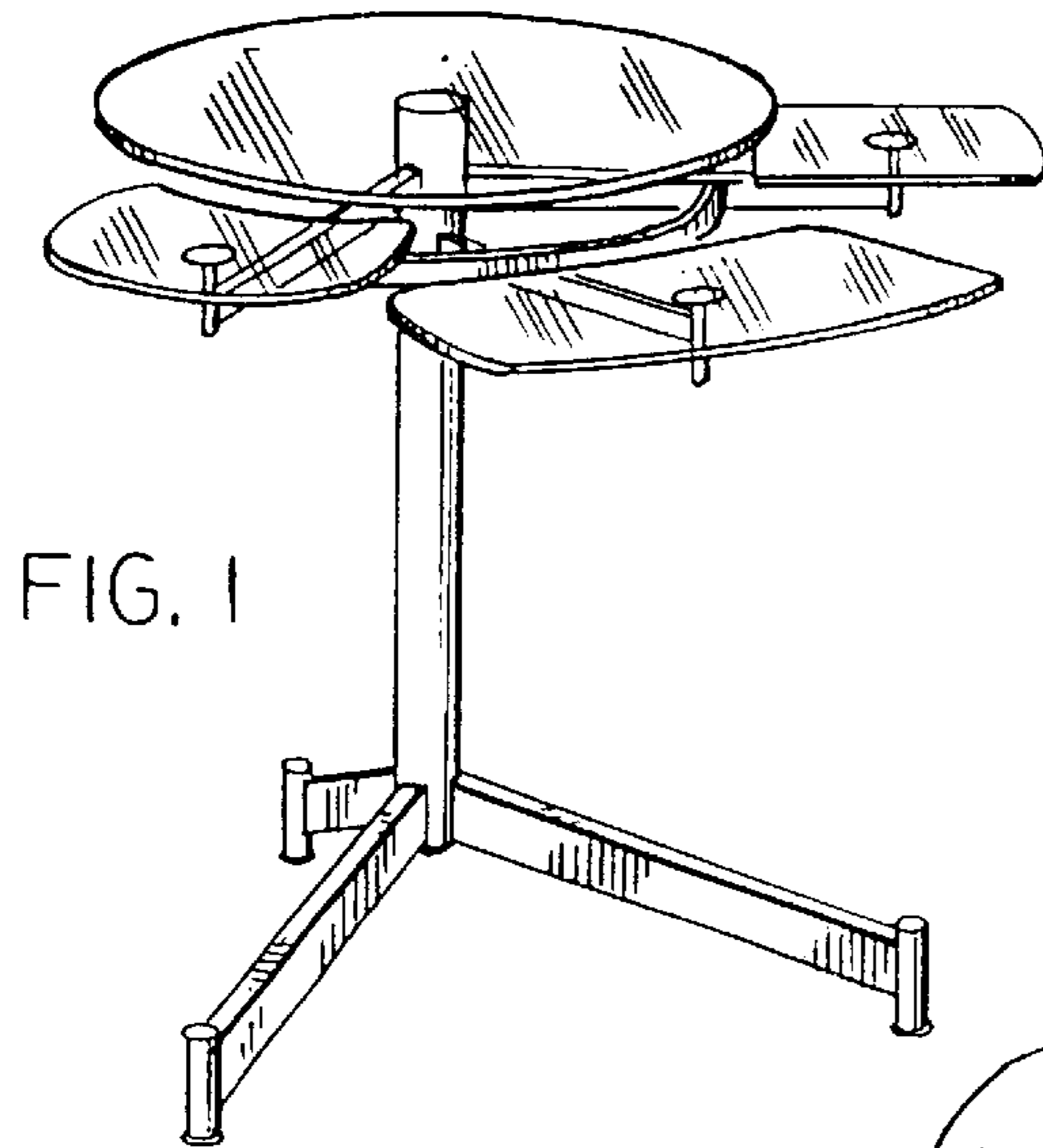


FIG. 1

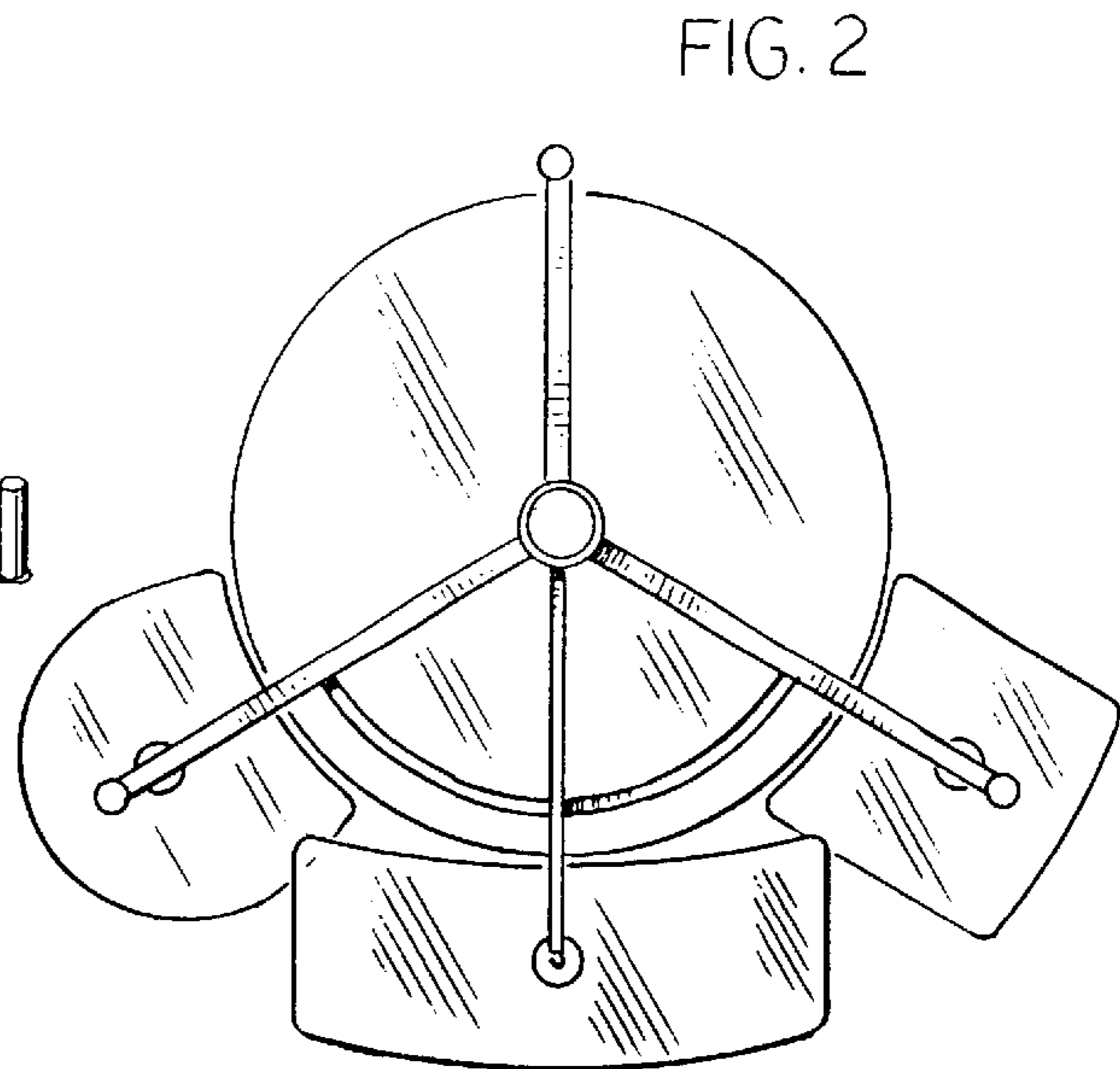


FIG. 2

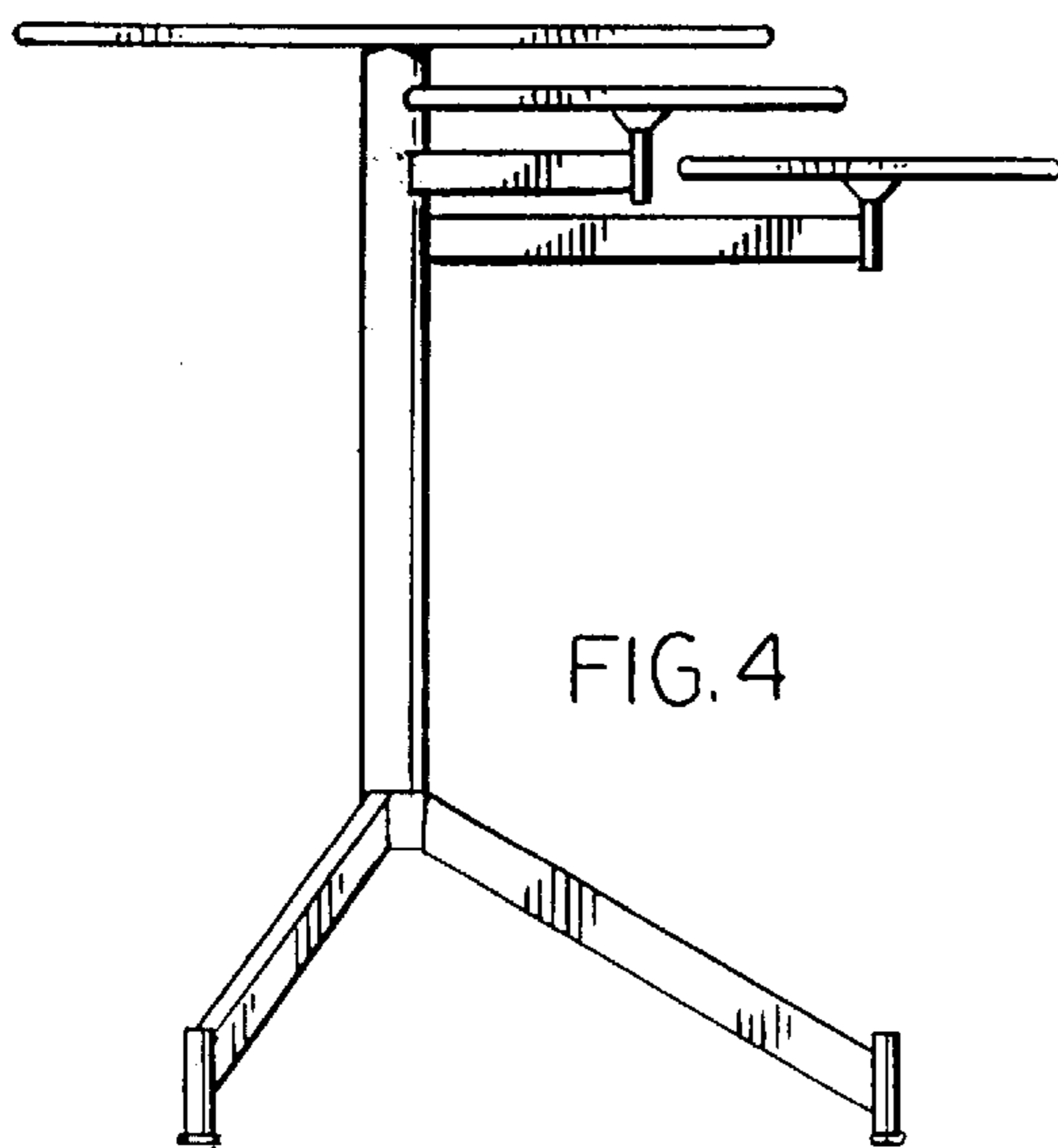


FIG. 4

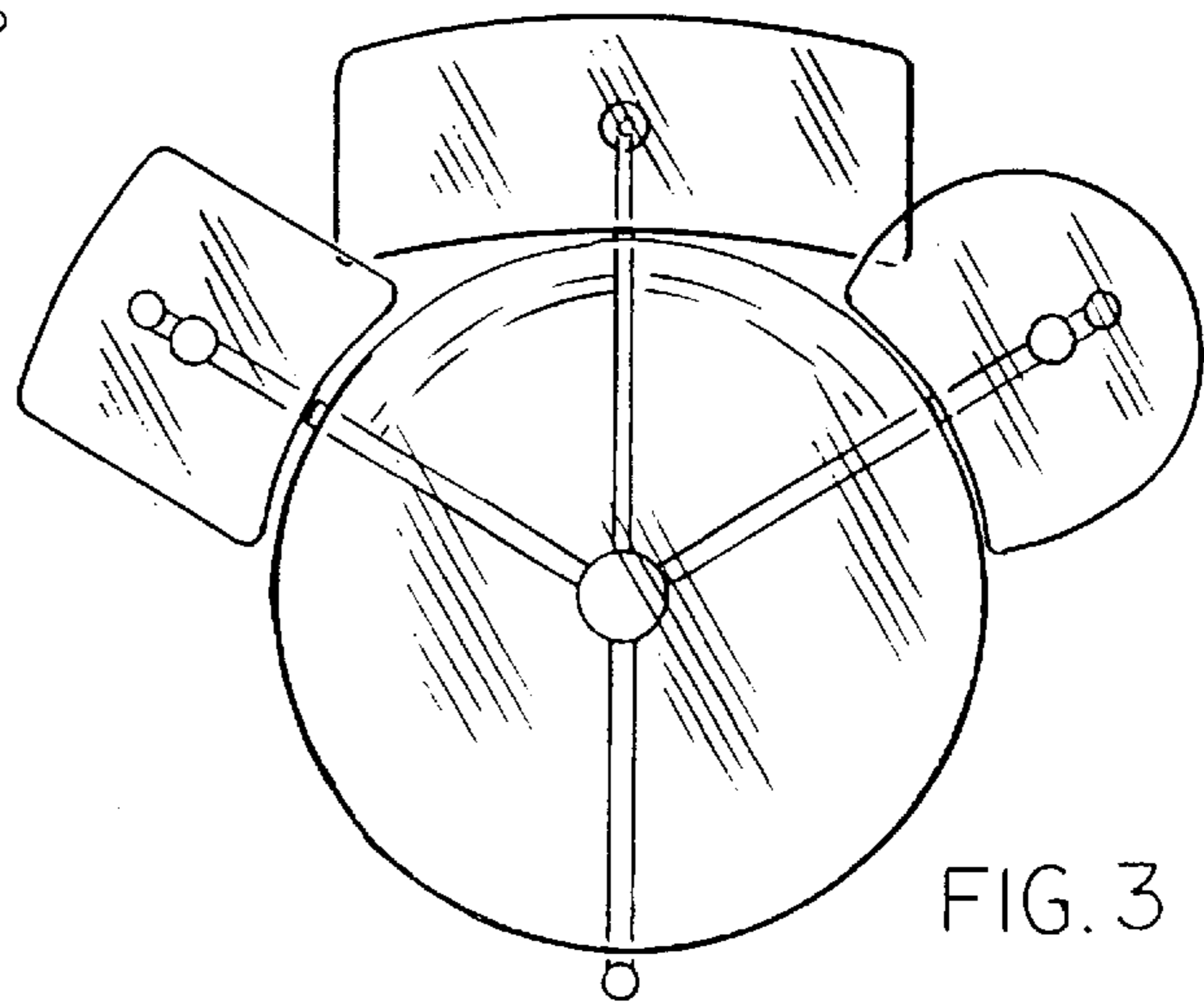


FIG. 3

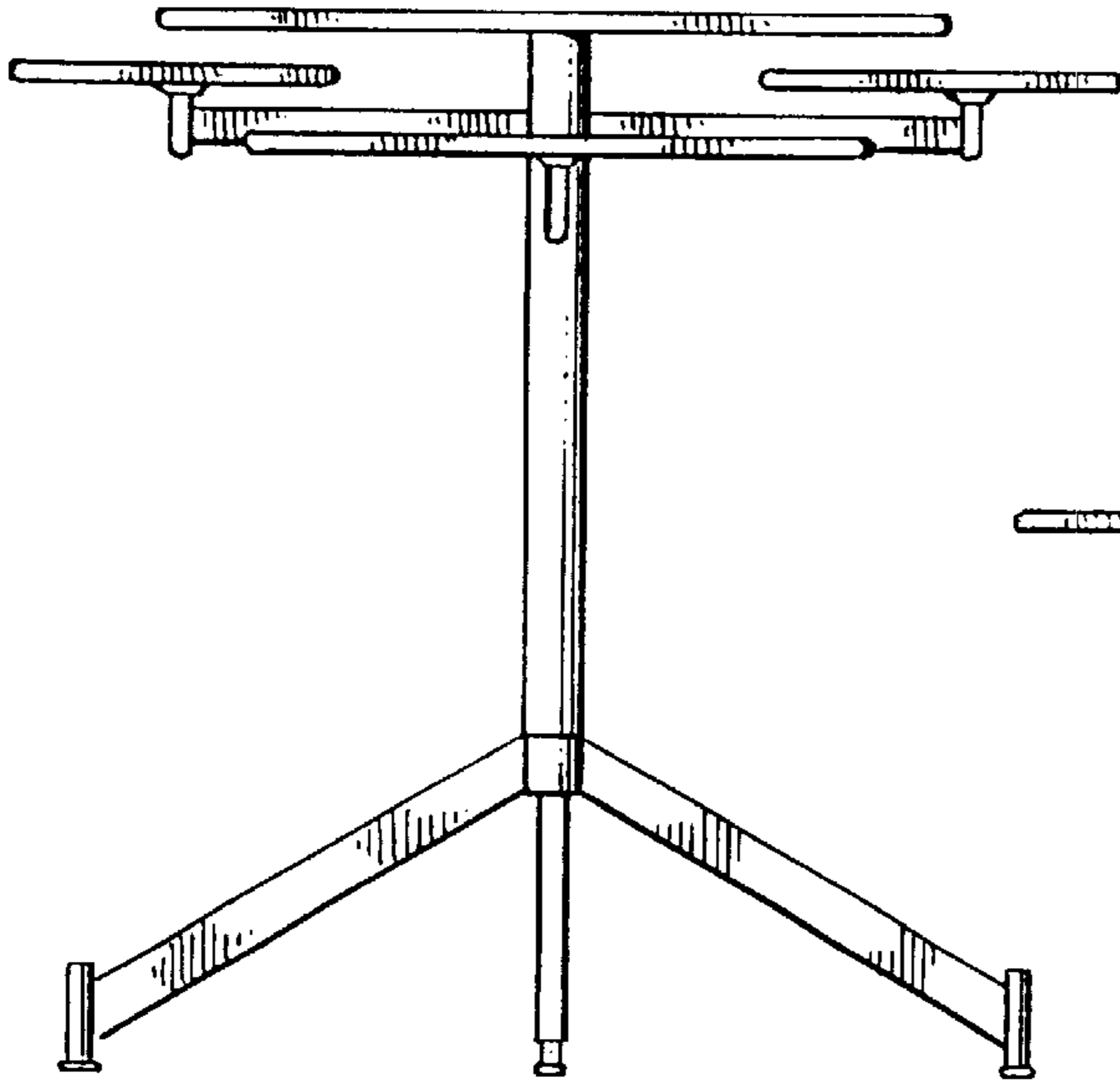


FIG. 5

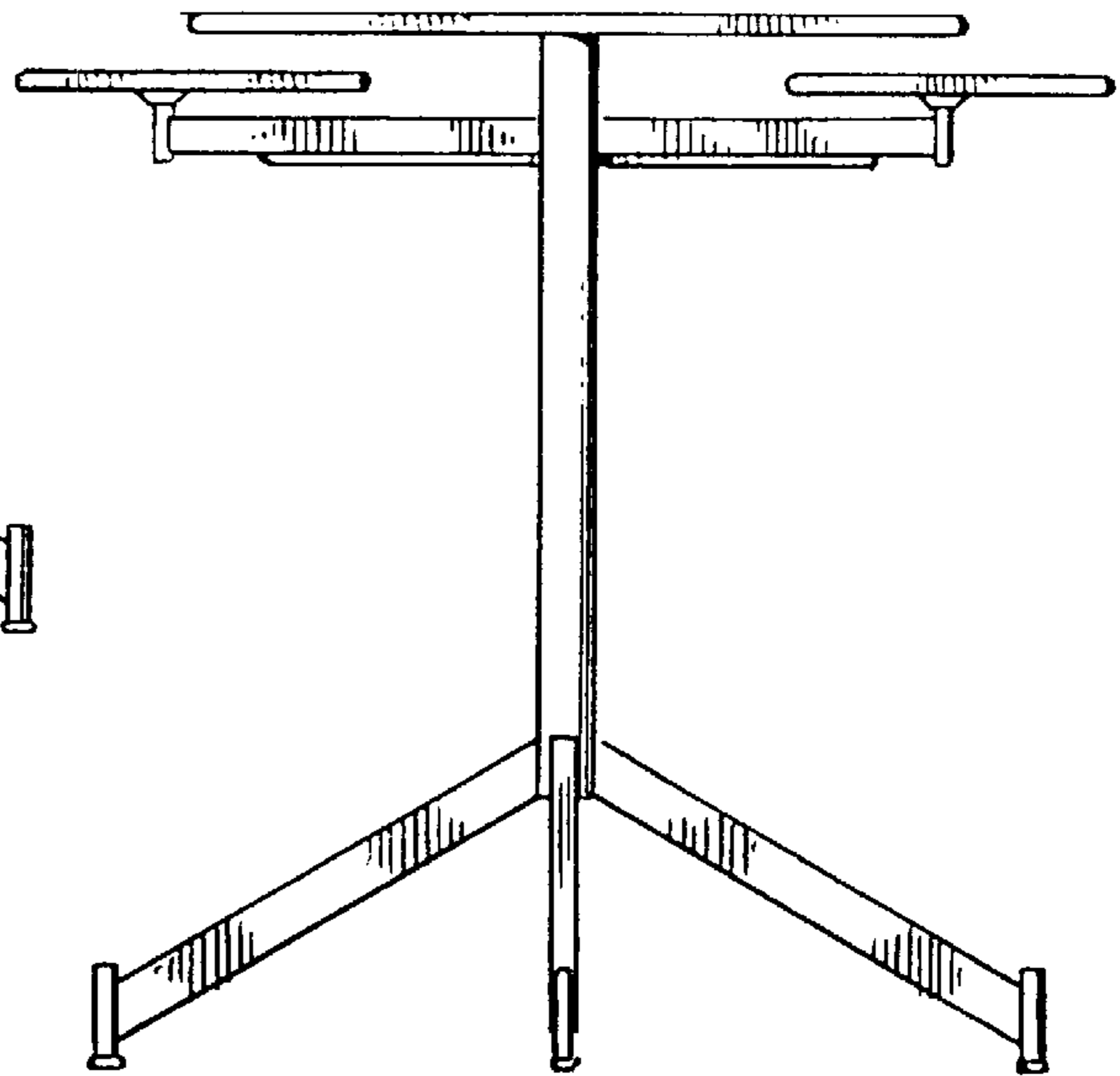


FIG. 6

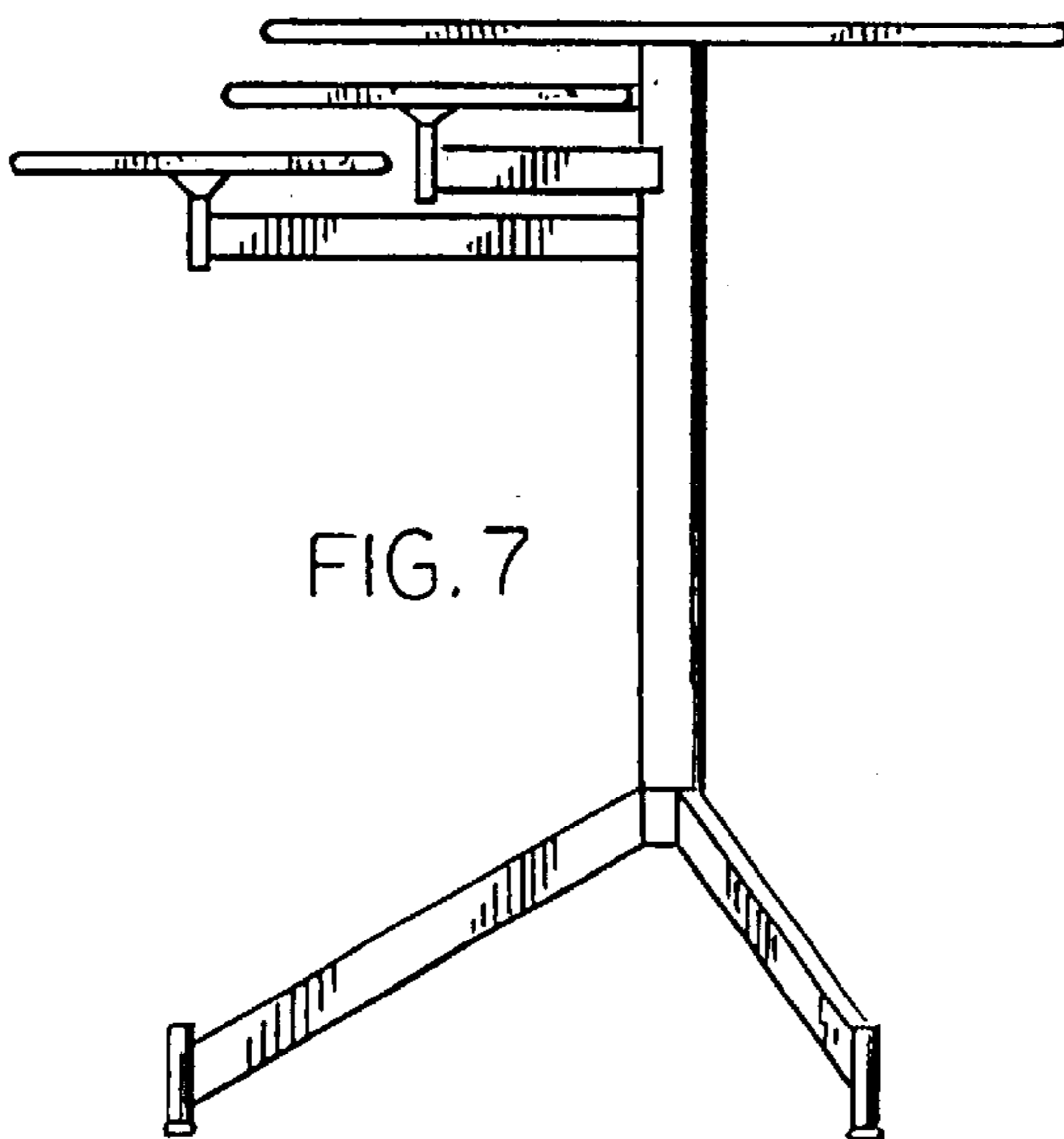


FIG. 7